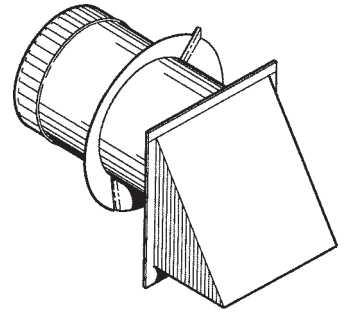


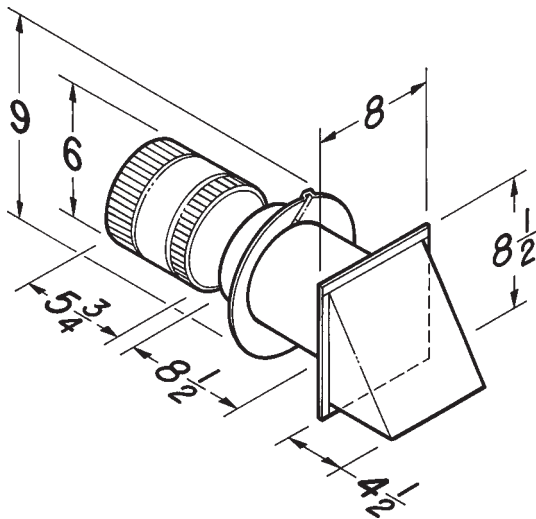
# MODEL BD6 PRESSURE RELIEF DAMPER



Specially designed to handle intake or exhaust air from Broan Energy Recovery Ventilating products.

**FEATURES**

- 30 gage galvanized steel construction
- Combines wall cap and damper in one unit
- Accepts 6" round duct
- Reversible damper - can be used for intake or exhaust
- Damper has positive seal - works in horizontal or vertical position
- Movable collar - aids in sealing cutout
- Built-in birdscreen
- Extra long collar for easy connection of rigid or flexible ducting
- Wide nailing/sealing flange.
- Can provide code required fresh air ventilation when ducted to furnace cold air return
- Includes a "Fresh Air Inlet" label for required marking in some jurisdictions.



**TYPICAL SPECIFICATION**

The pressure relief damper will be Broan Model BD6.

Damper will be galvanized steel construction. It shall accept 6" round duct and include a movable collar.

Damper to be reversible (for intake or exhaust) and must work in horizontal or vertical position.

A birdscreen shall be included.

