

BROAN[®]

NuTone[®]


VENMAR[®]



Additional Information for Range Hoods meeting ADA Compliance

Broan, NuTone and Venmar branded residential range hoods can be installed to comply with Sections 308 and 309 of ADA Guidelines, when used with appropriately mounted controls installed at 15" to 48" above the floor and control access should not require reaching over a cooking appliance.

The following range hoods can work in an ADA Compliant situation when the range hood is wired to operate from a dedicated, standard electrical wall switch. To facilitate this application, share the information on the following pages with your electrician when preparing for the installation.

**THIS PROCEDURE APPLIES TO THE RANGE HOOD SERIES
LISTED AT THE BOTTOM OF THIS PAGE**

Broan: BCSEK1, BQSEN1, CRSF1

NuTone: AHSL1, AVSF1, AVSF1-2, NCSEK1, NQSEN1

Venmar Chef: VCQSEN1

ADA HIGH VOLTAGE WIRING INSTRUCTIONS FOR SINGLE BLOWER RANGE HOODS WITH LED MODULES AND ROCKER SWITCH CONTROL

⚠ WARNING

For residential (domestic) installation only. Before proceeding, switch power off at service panel and lock service disconnecting means to prevent power from being switched on accidentally. Installation work and electrical wiring must be done by qualified person(s) in accordance with all applicable codes and standards, including fire-rated construction codes and standards. Also, it is recommended to wear safety glasses and gloves.

THIS PROCEDURE APPLIES TO THE FOLLOWING RANGE HOOD SERIES

Broan Series: BCSEK1, BQSEN1 and CRSF1

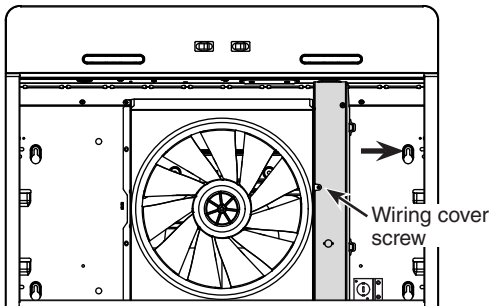
NuTone Series: AHSL1, AVSF1, AVSF1-2, NCSEK1 and NQSEN1

Venmar Chef Series: VCQSEN1

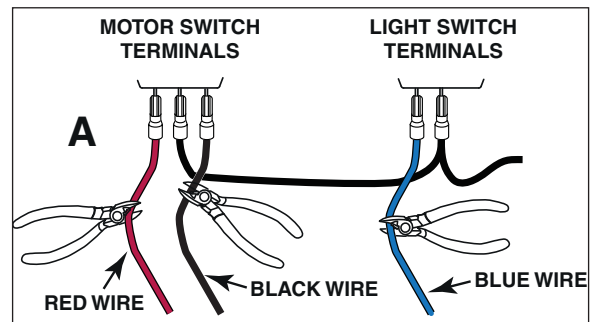
ACCESS TO RANGE HOOD CONTROL PANEL CONNECTIONS

NOTE: The illustrations in this procedure are generic; some hood details may slightly differ from the hood you have on hand but the procedure itself applies to all single blower range hoods listed in this document.

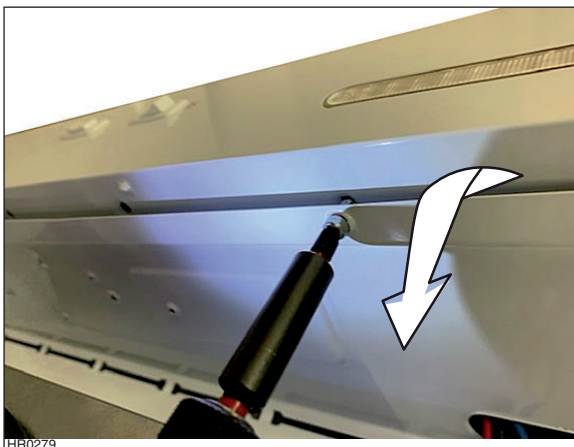
- 1 Remove filters from the hood and set them aside.
- 2 Remove the wiring cover (shaded part in illustration below) retaining screw. Slide the wiring cover out of the hood and set it aside with its screw.



- 4 Cut, close to the switches, the RED wire and the BLACK wires from motor switch terminals, and the BLUE wire from the light switch terminal.

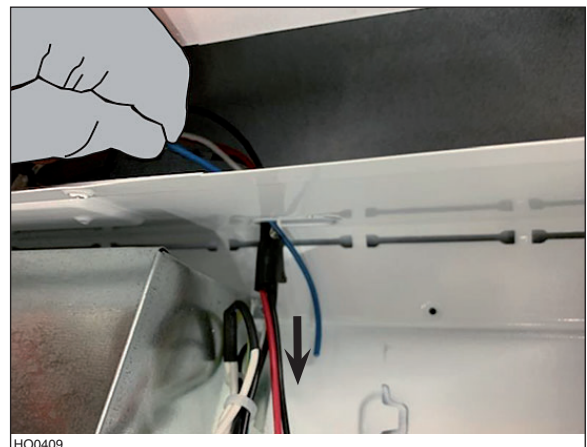


- 3 Remove and set aside the 4 front screws retaining the electrical panel cover plate to the hood. Open the electrical panel cover.



HR0279

- 5 Push the end of the BLUE wire through the electrical panel cover plate opening. Pull the RED and BLACK motor wires through the electrical panel cover plate opening.

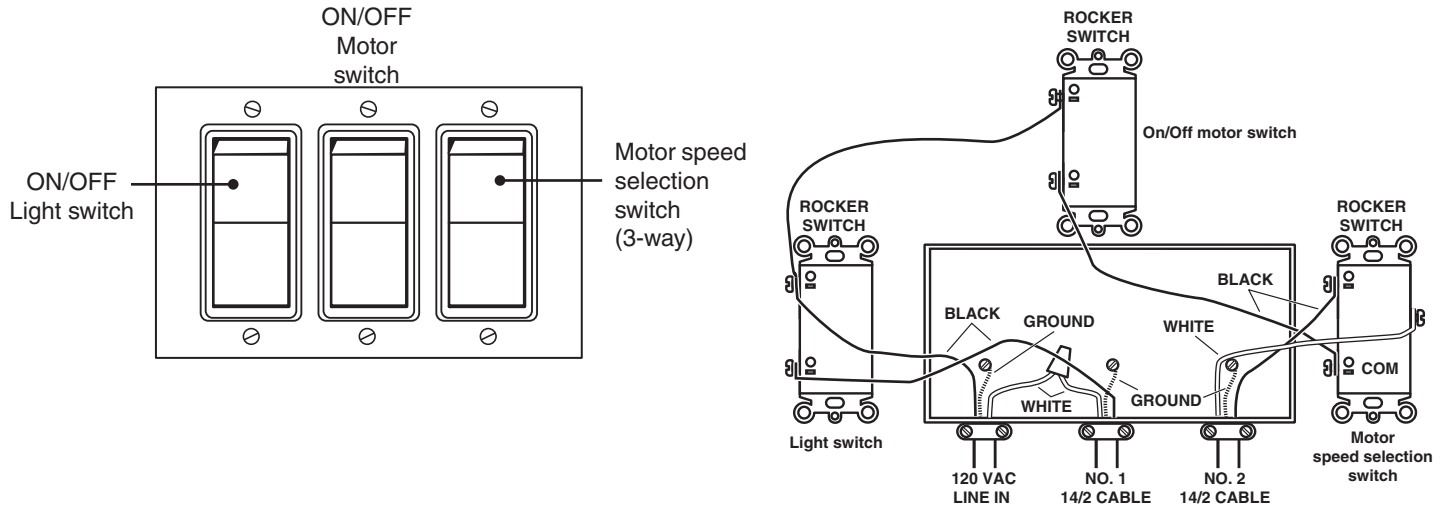


HO0409

- 6 Close the electrical panel cover using 4 screws previously removed in step 3.

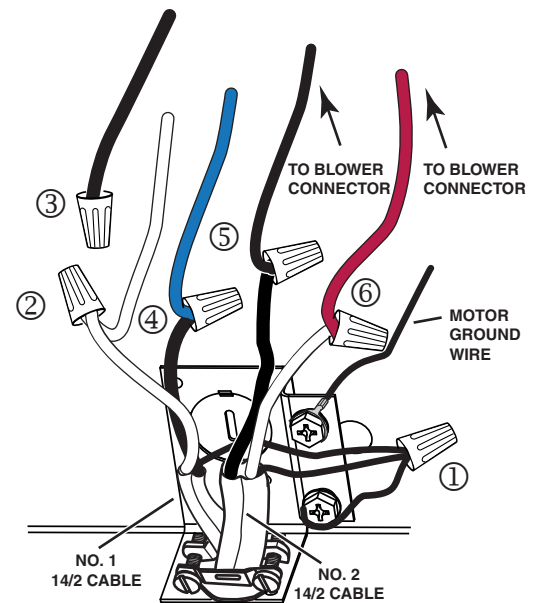
CAUTION

Use standard switches that are rated 120 VAC, 15 A. Only use wires suitable for at least 90°C (194°F).



Install 3 rocker switches at a convenient place for the user. Feed the switch box with 120 VAC house wiring and use two 14/2 cable to wire it to the range hood (see diagram above).

- ① Insert both 14/2 cable coming from switches in the hood through an UL approved wire clamp. Connect ground wires to the GREEN ground screw.
- ② Connect WHITE wire from no. 1 14/2 cable to WHITE wire from range hood wiring using an appropriate wire nut.
- ③ Cap off the hood BLACK wire using an appropriate wire nut.
- ④ Using an appropriate wire nut, connect BLACK wire from no. 1 14/2 cable to BLUE wire (light) coming from electrical panel cover plate opening.
- ⑤ Using an appropriate wire nut, connect BLACK wire from no. 2 14/2 cable to BLACK wire (high speed) coming from blower connector.
- ⑥ Using an appropriate wire nut, connect WHITE wire from no. 2 14/2 cable to RED wire (low speed) coming from blower connector.

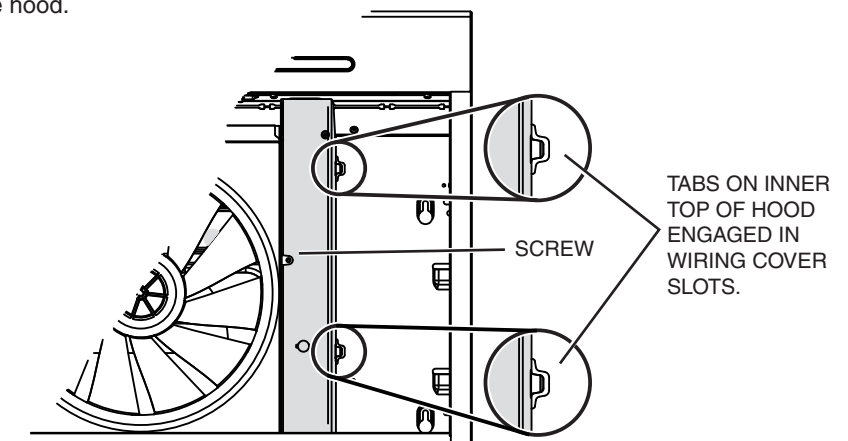


Once all the connections are done, finalize the installation by reversing steps ② to ① on first page.

NOTE: Be careful while reinstalling the wiring cover to the hood.

CAUTION

Ensure both tabs on inner top of hood are engaged in their corresponding slots in wiring cover. Also, take care not to pinch wires while reinstalling wiring cover.



RANGE HOOD CORD KIT

Installation Instructions

WARNING

FOR USE WITH RANGE HOODS ONLY.

GROUNDING INSTRUCTIONS

Range Hoods must be grounded. In the event of an electrical short circuit, grounding reduces the risk of electric shock by providing an escape wire for the electric current. After attaching this cord kit to the range hood, it is equipped with a cord having a grounding wire with a grounding plug. The plug must be plugged into an outlet that is properly installed and grounded.

WARNING - Improper grounding can result in a risk of electric shock.

Consult a qualified electrician if the grounding instructions are not completely understood, or if doubt exists as to whether the range hood is properly grounded.

Do not use an extension cord. If the power supply cord is too short, have a qualified electrician install an outlet near the appliance.

This kit includes the following:

- (1) 36" Cord & Plug with Cord Connector
- (1) Anti-Rotation Plate with Lock Bushing
- (2) Wire Nuts

CAUTION

TO REDUCE THE RISK OF FIRE AND ELECTRICAL SHOCK, THIS RANGE HOOD CORD-CONNECTION KIT IS U.L. CLASSIFIED ONLY FOR USE WITH THE RANGE HOOD MODEL SERIES LISTED BELOW:

BROAN SERIES

40000, 41000, 42000,
43000, 46000, BCDF1,
BCDJ1, BCSD1,
BCSEK1, BKDB1,
BKDEG1, BKSA1,
BKSH1, TEN1, TEN2,
BPDP1, ALT1, ALT2,
ALT3, CLDA1, CLDH1,
CLSC1, CRDE1,
CRSF1, SPE1 and
ALT4

NUTONE SERIES

RL, ACS, AR1,
AHDA1, AHSA1,
AVDF1, AVSF1
and NPDP1

KENMORE SERIES

5094, 5104, 5134, 5164, 5184, 5324, 5334,
5128, 5139, 5141, 5129, 5126, 5135 and 5140

Other cord kits are not U.L. Classified - unless the specific model numbers are listed.

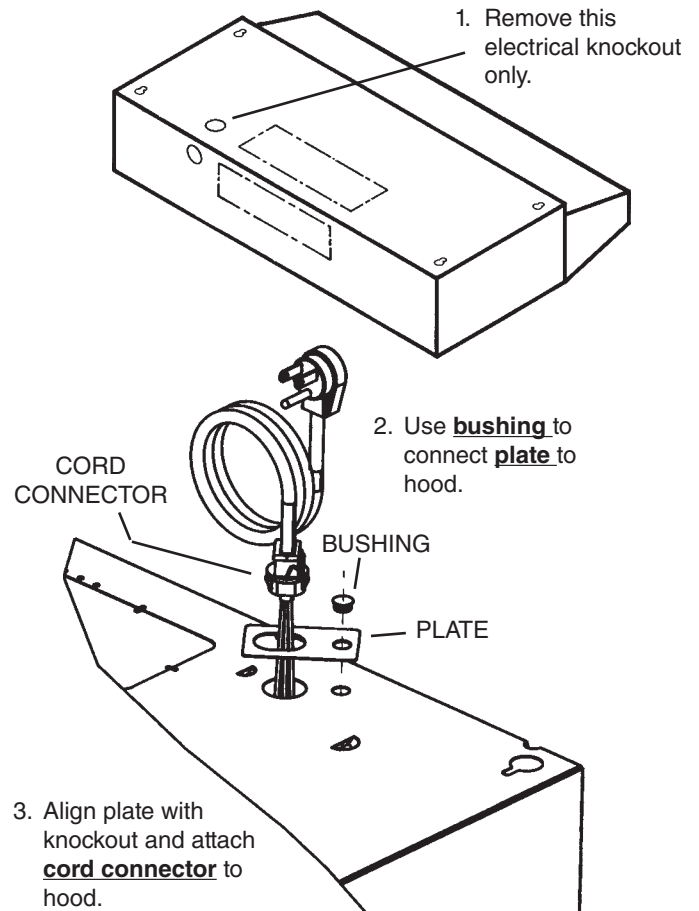
ELECTRICAL RECEPTACLE LOCATION

A grounded, electrical receptacle for this cord kit must be in a location that will not allow the cord to come in contact with any heat source. Inside the cabinet above the range is the most common location.

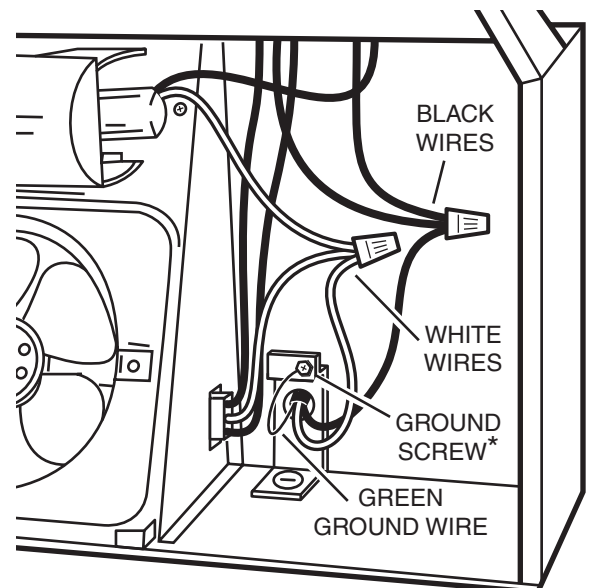
Do not plug into receptacles that would permit cord to come into contact with heat sources.



CORD KIT INSTALLATION



WIRING CONNECTIONS



4. Connect **black wires** together. Connect **white wires** together. Connect **green ground wire** beneath **ground screw**.

* If the range hood has an internal ground connection beneath a ground screw, A SECOND GROUND SCREW MUST BE USED for the cord kit ground.

99523894K