

RANGE HOOD REMOTE CONTROL

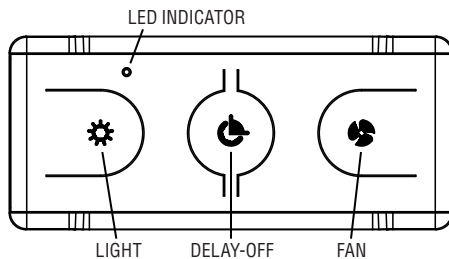
READ AND SAVE THESE INSTRUCTIONS

Your Broan BCR1 remote control is a Radio Frequency (RF) wireless device used to operate the fan, lights, and delay-off feature on compatible Broan range hoods. Refer to your hood installation manual or product specification sheet to ensure your hood is compatible with Broan model BCR1 remote control.

Unlike Infrared (IR) remotes, which are the most common, RF remotes are easier to use because they do not require line of sight, so they do not have to be aimed directly at the equipment they are controlling. RF is a very convenient, reliable method to transmit commands without wires for the operation of your compatible range hood. This system will offer exceptional performance in most cases. Although signals will often travel great distances, as well as around and through structures/walls, there are some limitations to the operating range. See troubleshooting guide on page 1 regarding these limitations.

CONTROL OPERATION

When a button is depressed on the remote control, it sends a coded signal to the receiver installed on a Broan compatible hood, telling it which function to activate.



Light Button – When the hood lights are OFF, pressing the light button will turn the hood lights ON to the lowest setting. Pressing again will index the lights to the next highest setting. When lights are at the highest setting, pressing the button again will turn lights OFF.

Fan Button – When the hood fan is OFF, pressing the fan button will turn the hood fan ON to the lowest setting. Pressing again will index the fan speed to the next highest setting. When hood fan is at its highest setting, pressing the button again will turn fan OFF.

Delay off Button – When hood fan is ON, pressing the Delay-Off button will activate the Delay-OFF feature of the hood. Pressing again will turn the DELAY-OFF feature OFF. If the hood fan is OFF, pressing the button will have no effect.

The green LED indicator on the remote will illuminate to indicate that the function has been transmitted. An audible “beep” at the hood, and change in function will indicate that the hood has received the transmission.

Your Broan remote control comes equipped with magnetic, non-slip feet. It can be adhered to a vertical metal/magnetic surface (such as a refrigerator door) or placed on a horizontal surface.

The RF encoder on your remote control is a fixed address encoder, meaning the address (security) code can be changed to another code manually. There exists a slight possibility of interference from other RF remote controls (garage door transmitter, home and car security systems, remote control paddle fans, other range hoods installed nearby). To resolve interference issues, the address or code can be changed (up to 32 independent address codes) by changing the settings on the 5 position DIP switches on the handheld remote. Note that in most cases, this will not be necessary. The product is shipped from the factory (transmitter and receiver) with DIP address settings set to matching codes (switch 1 set to ON - switches 2-5 set to OFF). Assuming there are no interference issues, the user won't need to change the DIP switch address code settings.

For some hood models, a specific linking procedure between the hood and remote control is required before use. Refer to your hood installation instructions for further information.

CHANGING SECURITY CODES

Remote (Transmitter)

Open the back cover of the remote by removing the center screw, and placing a flat screwdriver in between two halves of the housing to pry apart.

Locate the 5-position DIP switch on the circuit board.



SWITCH “1”
SHOWN “ON”
SWITCHES “2-5”
SHOWN “OFF”

Using a small insulated screwdriver or other non-conductive instrument, adjust one or more of the 5 DIP switches to a different position (ON or OFF). Note that SWITCH “1” was factory-set to the “ON” position and SWITCHES “2-5” were factory-set to the “OFF” position. Prior to re-assembling the remote, carefully note the new DIP switch settings so the same settings can be used on the hood (receiver). Carefully reassemble the remote.

Hood (Receiver)

WARNING – TO REDUCE THE RISK OF FIRE, ELECTRIC SHOCK, OR INJURY TO PERSONS, OBSERVE THE FOLLOWING: IF YOU HAVE QUESTIONS, CONTACT THE MANUFACTURER AT THE ADDRESS OR TELEPHONE NUMBER LISTED IN THE WARRANTY. BEFORE SERVICING OR CLEANING UNIT, SWITCH POWER OFF AT SERVICE PANEL AND LOCK THE SERVICE DISCONNECTING MEANS TO PREVENT POWER FROM BEING SWITCHED ON ACCIDENTALLY. WHEN THE SERVICE DISCONNECTING MEANS CANNOT BE LOCKED, SECURELY FASTEN A PROMINENT WARNING DEVICE, SUCH AS A TAG, TO THE SERVICE PANEL. ELECTRICAL WORK MUST BE DONE BY A QUALIFIED PERSON(S) IN ACCORDANCE WITH ALL APPLICABLE CODES AND STANDARDS.

FOR BROAN QP3 & QP4 SERIES HOODS

Locate the 5-position DIP switch on the hood (usually located on the circuit board) – refer to your hood installation instruction for additional details if necessary.



SWITCH “1”
SHOWN “ON”
SWITCHES “2-5”
SHOWN “OFF”

Using a small insulated screwdriver or other non-conductive instrument, adjust the DIP switches to the same settings as the remote control. Reassemble any parts from hood that were removed to access the DIP switches.

Verify the function of the remote control and hood once DIP switch settings are properly paired. New settings may be needed if interference issues are still encountered.

FOR BROAN ELITE EW56, EW58 & EI59 SERIES HOODS

After changing DIP switch settings on the hand-held remote, refer to your hood installation instructions for additional details regarding linking to the remote.

CLEANING AND MAINTENANCE

Clean surfaces with a damp, clean cloth and mild detergent only.

Do not immerse in water. Your remote is considered to be “splash-proof”, not “waterproof”.

Your Broan remote transmitter is a user friendly device designed for years of trouble free operation. Under most circumstances it should require only periodic battery replacement. The transmitter is powered by a long life A23-style 12V battery available at most hardware stores or home centers. The battery on your remote control should last in excess of 1-year under normal operation.

To change the battery, remove the battery cover by using a small flat bladed screwdriver to gently pry open. Remove existing battery utilizing a small insulated flat bladed screwdriver or other non-conductive instrument, and discard properly with consideration to local codes and recycling guidelines. Install the new battery while ensuring the “+” side of the battery lines up with the “+” terminal of the remote. Replace cover.

WARNING – TO PREVENT POSSIBLE SERIOUS INJURY OR DEATH: NEVER ALLOW SMALL CHILDREN NEAR BATTERIES. IF BATTERY IS SWALLOWED, IMMEDIATELY NOTIFY DOCTOR

Notice: Operation is subject to the following two conditions: (1) This device may not cause interference, and (2) this device must accept any interference that may cause undesired operation of the device.

TROUBLE SHOOTING GUIDE

Remote transmitting signal (green LED illuminates) but hood not receiving

- Ensure hood is powered.
- Battery weak – install new fresh A23-12V battery
- Check the receiver (if applicable) and transmitter DIP switches are set at the same setting.
- Perform linking procedure between hood and remote (some models).

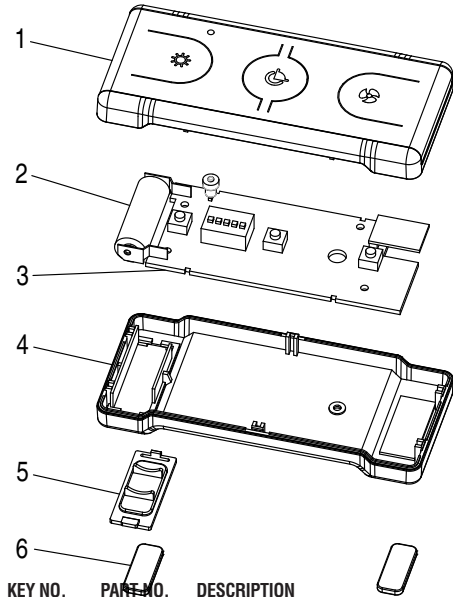
Transmission Range Short

- Change orientation of remote when activating
- Change location of remote to minimize obstructions
- Battery weak – install new fresh A23-12V battery

Interference encountered with other RF transmitters or receivers

- Change encoder DIP switch settings. (Re-link if necessary - depending on hood model.)

SERVICE PARTS



KEY NO.	PART NO.	DESCRIPTION
1	97018263	Top Cover Assembly (includes stainless cover & upper housing)
2	97018267	Battery
3	97018266	Circuit Board (includes board & 4 mounting screws)
4	97018264	Bottom housing (includes housing & mounting screw)
5	97018265	Battery Door (includes magnetic foot)
6	97018268	Magnetic Feet (includes 2 adhesive backed feet)