

RANGE HOOD CORD KIT

Installation Instructions

WARNING

FOR USE WITH RANGE HOODS ONLY.

GROUNDING INSTRUCTIONS

Range Hoods must be grounded. In the event of an electrical short circuit, grounding reduces the risk of electric shock by providing an escape wire for the electric current. After attaching this cord kit to the range hood, it is equipped with a cord having a grounding wire with a grounding plug. The plug must be plugged into an outlet that is properly installed and grounded.

WARNING - Improper grounding can result in a risk of electric shock.

Consult a qualified electrician if the grounding instructions are not completely understood, or if doubt exists as to whether the range hood is properly grounded.

Do not use an extension cord. If the power supply cord is too short, have a qualified electrician install an outlet near the appliance.

This kit includes the following:

- (1) 36" Cord & Plug with Cord Connector
- (1) Anti-Rotation Plate with Lock Bushing
- (2) Wire Nuts

CAUTION

TO REDUCE THE RISK OF FIRE AND ELECTRICAL SHOCK, THIS RANGE HOOD CORD-CONNECTION KIT IS U.L. CLASSIFIED ONLY FOR USE WITH THE RANGE HOOD MODEL SERIES LISTED BELOW:

BROAN SERIES

40000, 41000, 42000,
43000, 46000, BCDF1,
BCDJ1, BCSD1,
BCSEK1, BKDB1,
BKDEG1, BKSA1,
BKSH1, TEN1, TEN2,
BPDP1, ALT1, ALT2,
ALT3, CLDA1, CLDH1,
CLSC1, CRDE1,
CRSF1, SPE1 and
ALT4

NUTONE SERIES

RL, ACS, AR1,
AHDA1, AHSA1,
AVDF1, AVSF1
and NPDP1

KENMORE SERIES

5094, 5104, 5134, 5164, 5184, 5324, 5334,
5128, 5139, 5141, 5129, 5126, 5135 and 5140

Other cord kits are not U.L. Classified - unless the specific model numbers are listed.

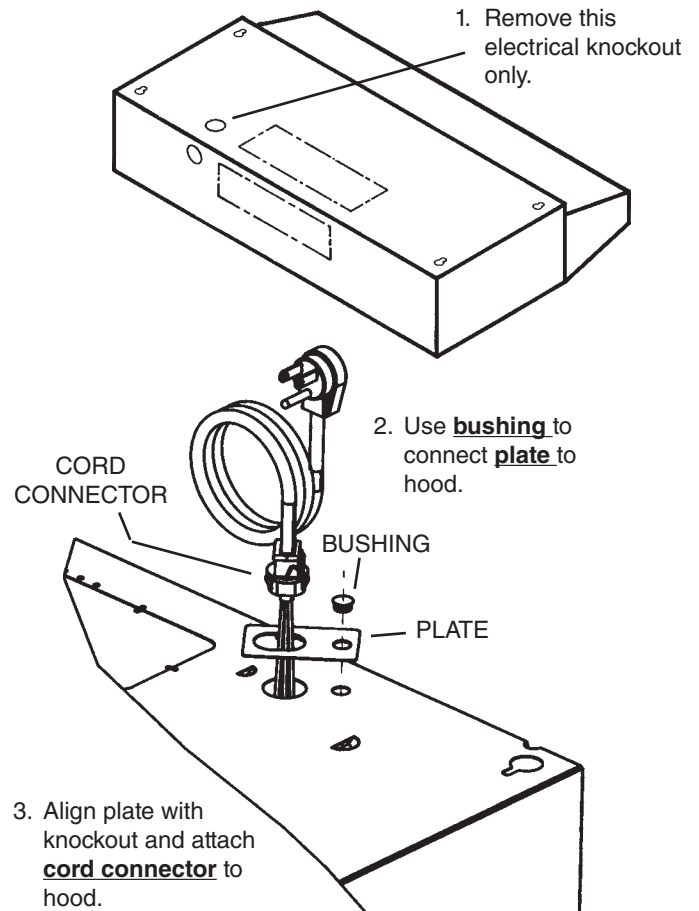
ELECTRICAL RECEPTACLE LOCATION

A grounded, electrical receptacle for this cord kit must be in a location that will not allow the cord to come in contact with any heat source. Inside the cabinet above the range is the most common location.

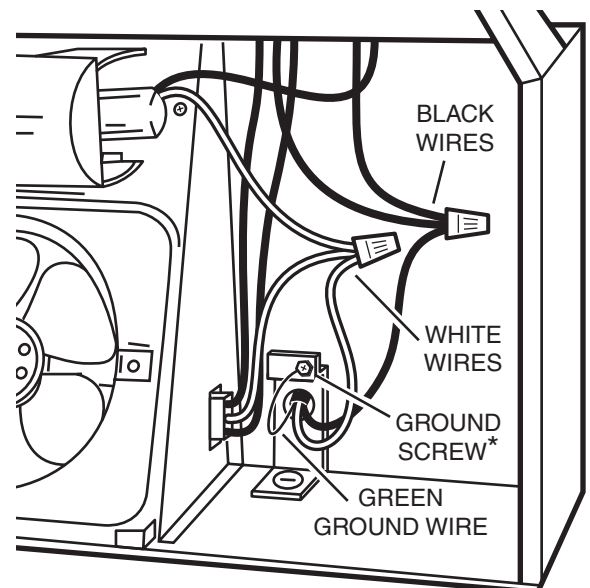
Do not plug into receptacles that would permit cord to come into contact with heat sources.



CORD KIT INSTALLATION



WIRING CONNECTIONS



4. Connect **black wires** together. Connect **white wires** together. Connect **green ground wire** beneath **ground screw**.

* If the range hood has an internal ground connection beneath a ground screw, A SECOND GROUND SCREW MUST BE USED for the cord kit ground.

99523894K