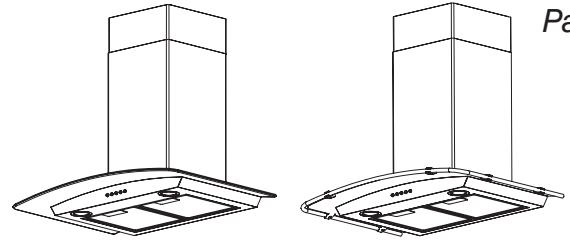


CHIMNEY RANGE HOOD



READ AND SAVE THESE INSTRUCTIONS

⚠ INTENDED FOR DOMESTIC COOKING ONLY. ⚠

⚠ WARNING

TO REDUCE THE RISK OF FIRE, ELECTRIC SHOCK, OR INJURY TO PERSON(S) OBSERVE THE FOLLOWING:

1. Use this unit only in the manner intended by the manufacturer. If you have questions, contact the manufacturer at the address or telephone number listed in the warranty.
2. Before servicing or cleaning unit, switch power off at service panel and lock service disconnecting means to prevent power from being switched on accidentally. When the service disconnecting means cannot be locked, securely fasten a prominent warning device, such as a tag, to the service panel.
3. Installation work and electrical wiring must be done by qualified personnel in accordance with all applicable codes and standards, including fire-rated construction codes and standards.
4. Sufficient air is needed for proper combustion and exhausting of gases through the flue (chimney) of fuel burning equipment to prevent backdrafting. Follow the heating equipment manufacturer's guidelines and safety standards such as those published by the National Fire Protection Association (NFPA), the American Society for Heating, Refrigeration and Air Conditioning Engineers (ASHRAE) and the local code authorities.
5. When cutting or drilling into wall or ceiling, do not damage electrical wiring and other hidden utilities.
6. Ducted fans must always be vented to the outdoors.
7. Do not use this unit with any other solid-state speed control device.
8. To reduce the risk of fire, use only steel ductwork.
9. This unit must be grounded.

TO REDUCE THE RISK OF A RANGE TOP GREASE FIRE:

- a) Never leave surface units unattended at high settings. Boilovers cause smoking and greasy spillovers that may ignite. Heat oils slowly on low or medium settings.
- b) Always turn hood ON when cooking at high heat or when cooking flaming foods (i.e. Crêpes Suzette, Cherries Jubilee, Peppercorn Beef Flambé).
- c) Clean ventilating fans frequently. Grease should not be allowed to accumulate on fan or filters.
- d) Use proper pan size. Always use cookware appropriate for the size of the surface element.

⚠ WARNING

TO REDUCE THE RISK OF INJURY TO PERSON(S) IN THE EVENT OF A RANGE TOP GREASE FIRE, OBSERVE THE FOLLOWING*:

1. SMOTHER FLAMES with a close-fitting lid, cookie sheet, or metal tray, then turn off the burner. BE CAREFUL TO PREVENT BURNS. IF THE FLAMES DO NOT GO OUT IMMEDIATELY, EVACUATE AND CALL THE FIRE DEPARTMENT.
2. NEVER PICK UP A FLAMING PAN – You may be burned.
3. DO NOT USE WATER, including wet dishcloths or towels – This could cause a violent steam explosion.
4. Use an extinguisher ONLY if:
 - A. You know you have a Class ABC extinguisher and you know how to operate it.
 - B. The fire is small and contained in the area where it started.
 - C. The fire department has been called.
 - D. You can fight the fire with your back to an exit.

* Based on "Kitchen Fire Safety Tips" published by NFPA.

CAUTION

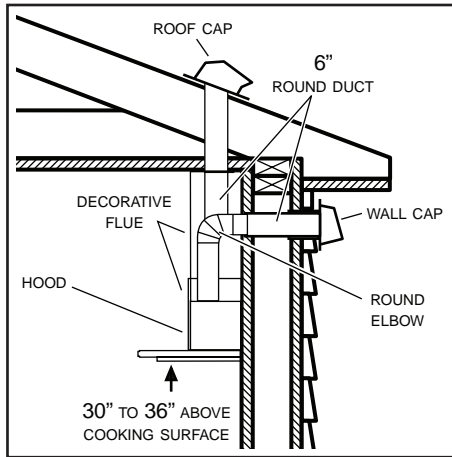
1. For indoor use only.
2. For general ventilating use only. Do not use to exhaust hazardous or explosive materials and vapors.
3. To avoid motor bearing damage and noisy and/or unbalanced impeller, keep drywall spray, construction dust, etc. off power unit.
4. Do not use over cooking equipment greater than 60,000 BTU/hr. as the blower motor will shut down intermittantly.
5. Your hood motor has a thermal overload which will automatically shut off the motor if it becomes overheated. The motor will restart when it will cool down. If the motor continues to shut off and restart, have the hood serviced.
6. The bottom of the hood MUST NOT BE LESS than 30" and at a maximum of 36" above cooktop for best capture of cooking impurities.
7. Two installers are recommended because of the size of this hood.
8. To reduce risk of fire and to properly exhaust air, be sure to duct air outside. Do not exhaust air into spaces within walls or ceilings or into attics, crawl spaces, or garages.
9. Be careful when installing the decorative flue and hood, they may have sharp edges.
10. Please read specification label on product for further information and requirements.

INSTALLER: LEAVE THIS GUIDE TO THE HOMEOWNER.

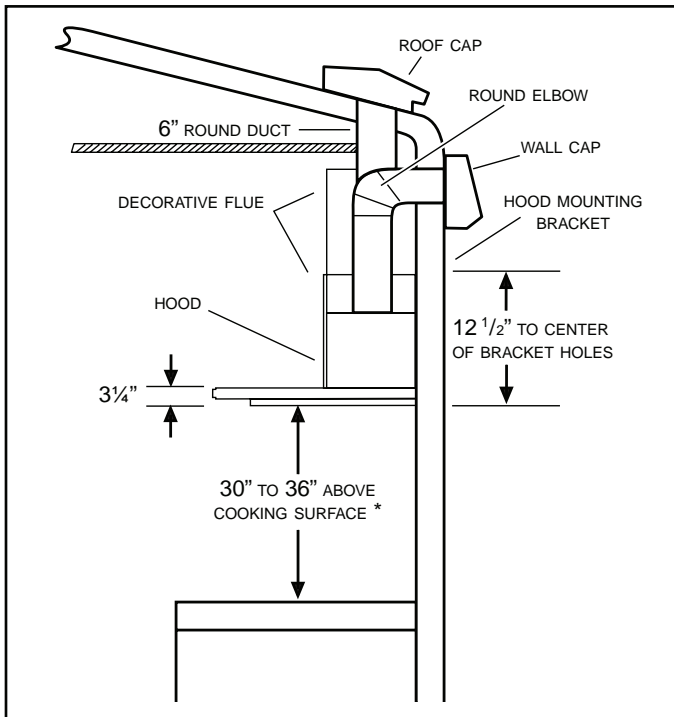
HOMEOWNER: OPERATION AND MAINTENANCE INFORMATION ON PAGE 8.

INSTALL THE DUCTWORK (Ducted Hoods Only)

1. Decide where the ductwork will run between the hood and the outside.
2. A straight, short duct run will allow the hood to perform most efficiently.
3. Long duct runs, elbows and transitions will reduce the performance of the hood. Use as few of them as possible. Larger ducting may be required for best performance with longer duct runs.
4. Install wall cap or roof cap. Connect round metal ductwork to cap and work back towards the hood location. Use duct tape to seal the joints between ductwork sections.



MEASURE THE INSTALLATION



The minimum hood distance above cooktop MUST NOT BE LESS than 30".

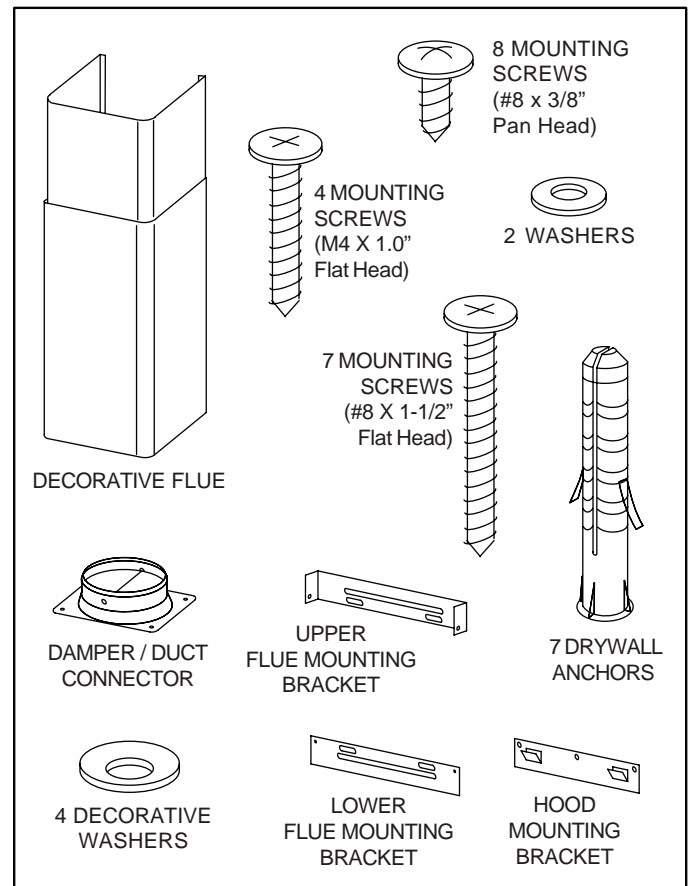
A maximum of 36" above cooktop is highly recommended for best capture of cooking impurities.

Distances over 36" are at the installer and users discretion; providing that the ceiling height permits.

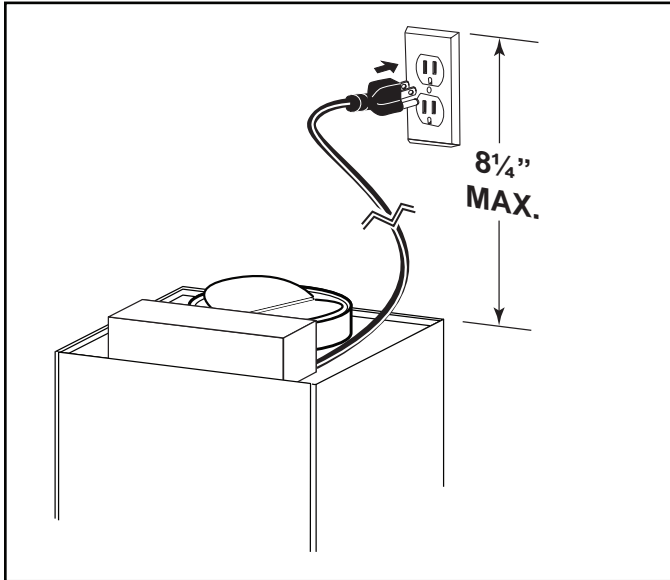
PREPARE THE HOOD

Unpack hood and check contents. You should receive:

- 1 - Hood
- 1 - Glass Canopy (Models B5630SS & B5636SS)
- 1 - Metal Canopy (Models B5730SS & B5736SS)
- 1 - Decorative Flue Assembly
- 1 - Damper / Duct Connector
- 1 - Lower Flue Mounting Bracket
- 1 - Upper Flue Mounting Bracket
- 1 - Hood Mounting Bracket
- 2 - Aluminum Grease Filters (installed in hood)
- 1 - Parts Bag containing:
 - 8 - Mounting Screws (#8 x 3/8" Pan Head)
 - 7 - Mounting Screws (#8 x 1-1/2" Flat Head)
 - 4 - Mounting Screws (M4 x 1.0 Flat Head)
 - 7 - Drywall Anchors
 - 2 - Washers
 - 4 - Decorative Washers
- 1 - Installation Manual



INSTALL THE WIRING

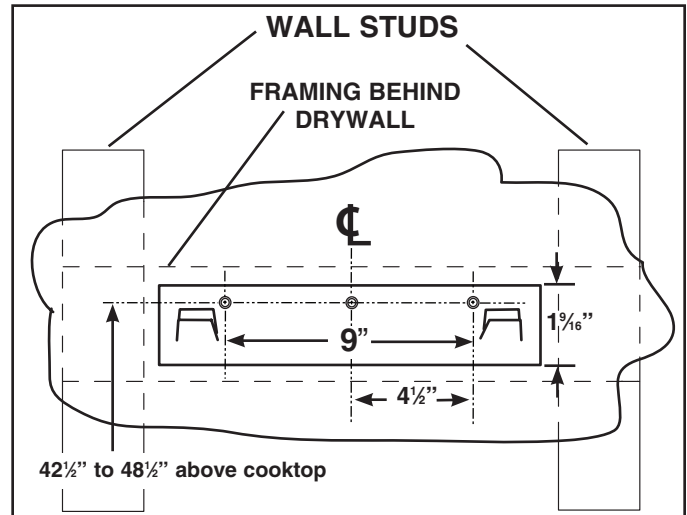


1. GROUNDING INSTRUCTIONS

This appliance must be grounded. In the event of an electrical short circuit, grounding reduces the risk of electric shock by providing an escape wire for the electric current. This appliance is equipped with a cord having a grounding wire with a grounding plug. The plug must be plugged into an outlet that is properly installed and grounded.

- Position the electrical outlet within the space covered by the decorative flue and where it will not interfere with the round duct. Make sure the outlet is no further than 8 1/4" from where the cord exits from the hood and that the outlet does not interfere with a mounting bracket fastening area or where the decorative flue touches the wall.

INSTALL THE HOOD MOUNTING BRACKET



42 1/2" = bottom of hood 30" above cooktop
48 1/2" = bottom of hood 36" above cooktop

- Construct wood wall framing that is flush with interior surface of wall studs.
Make sure:
 - the framing is centered over installation location.
 - the height of the framing will allow the mounting bracket to be secured to the framing within the dimensions shown.
- After wall surface is finished, carefully center and level the hood mounting bracket and secure it to wall framing with (3) #8 x 1-1/2" mounting screws. Tighten the screws completely.

NOTE:

On 8-ft. ceilings

Hood distance above cooktop is:
Minimum 30", Maximum 36" (for ducted discharge)
Minimum 30", Maximum 33" (for non-ducted discharge)

On 9-ft. ceilings

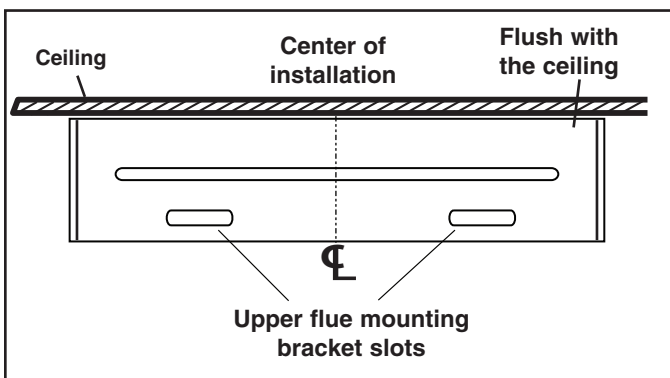
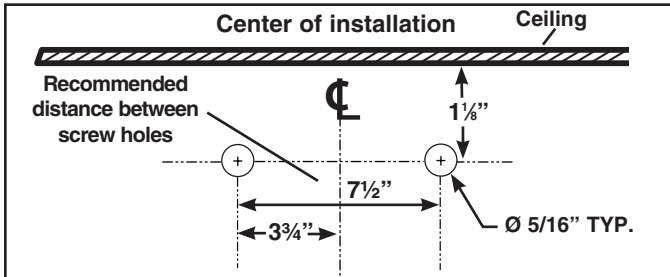
Hood distance above cooktop is:
Minimum 31", Maximum 36" (for both ducted and non-ducted discharge)

On 10-ft. ceilings

Hood distance above cooktop is:
Minimum 31", Maximum 36" (for both ducted and non-ducted discharge).

NOTE: 10-ft. ceilings require 10-ft. Flue Extension, Model FXN56SS for ducted or non-ducted installations (purchase separately).

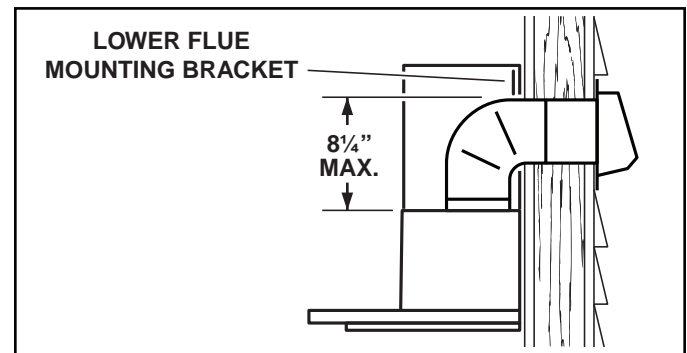
INSTALL UPPER FLUE MOUNTING BRACKET



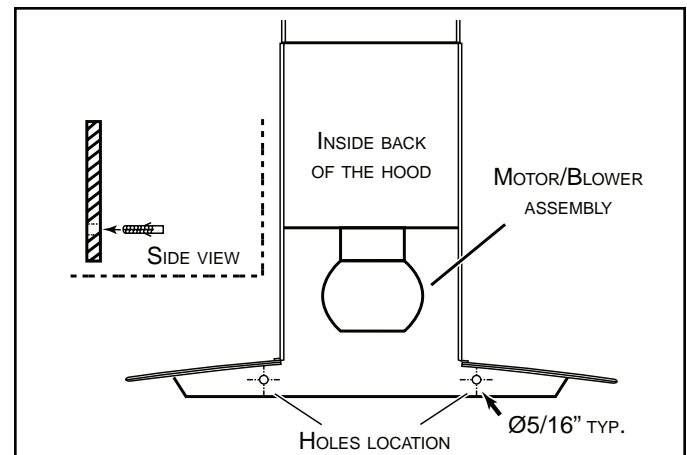
1. Drill two $\frac{5}{16}$ " diameter holes where shown. Insert drywall anchors into the holes.
2. Center the bracket over the hood location and flush with the ceiling. Make sure that the slots of the upper flue bracket are at the bottom. Secure the upper flue bracket to the wall using (2) #8 x $1\frac{1}{2}$ " mounting screws.
3. Tighten the screws completely. Make sure that the bracket is tight against the wall.

INSTALL THE HOOD (Horizontally Ducted Hoods Only)

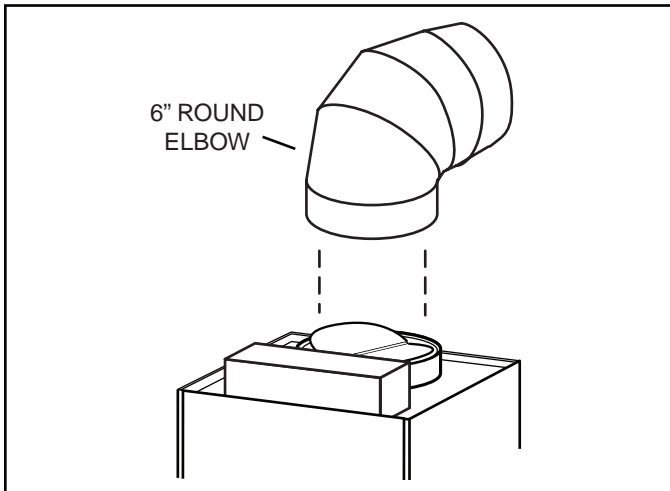
1. DO NOT REMOVE the protective plastic film covering the decorative flue and the hood at this time.
2. Lay the back side of the hood flat on a table. Use a piece of cardboard to avoid damaging the table or the hood.
3. Attach damper / duct connector to top of hood using (4) #8 x $\frac{3}{8}$ " Pan Head mounting screws.
4. Remove the grease filters by pulling down the metal latch tab and tilting filters downward to remove.
5. Carefully rotate hood upright.



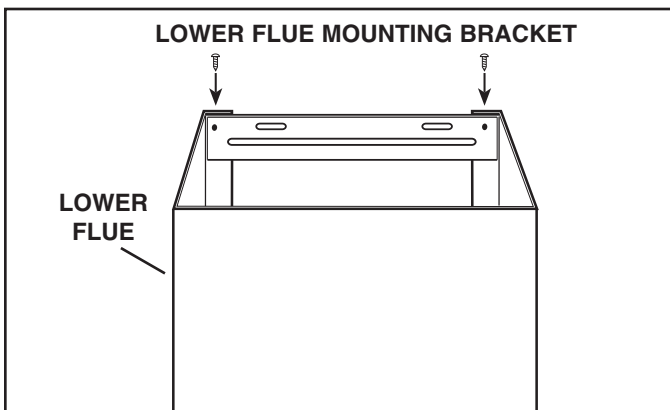
6. Make sure there will be adequate clearance between top of hood and lower flue mounting bracket for ductwork. Elbow must be located below lower flue mounting bracket.
7. Align the hood and center it above the hood mounting bracket. Gently lower the hood until it securely engages the bracket.



8. With the hood hanging in place, drill through the both holes located in the inside lower back of hood using a $\frac{5}{16}$ " drill bit. Insert the included drywall anchors into the drilled holes (one for each hole). Install (2) washers and (2) no. 8 x $1\frac{1}{2}$ " mounting screws through the back of the hood and into the drywall anchors. Verify that the hood is centered and leveled. Tighten all screws completely.
9. Reinstall grease filters by aligning rear filter tabs with slots in the hood. pull down the metal latch tab, push filter into position and release. Make sure filters are securely engaged after installation.

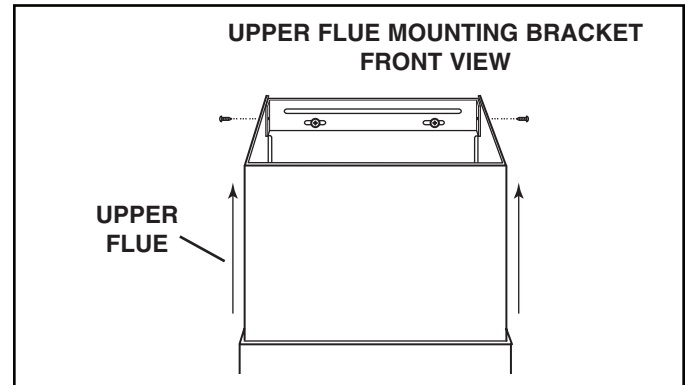


10. Measure and install 6" round steel ductwork to roof cap or wall cap and 90° elbow over duct collar on hood. Use duct tape to make all joints secure and air tight.
11. Plug hood power cord into the outlet.



NOTE: 10-ft. ceilings require 10-ft. Flue Extension, Model FXN56SS for ducted or non-ducted installations (purchase separately). Discard the upper flue supplied with your hood and replace it with the Model FXN56SS flue extension.

12. Remove the upper flue from inside the lower flue. Install the lower flue bracket to the lower flue using (2) flue bracket screws no. 8 x 3/8". Make sure that the slots are at the top. Carefully replace the upper flue inside the lower flue. Remove protective plastic film covering the lower flue only.
13. Carefully place both flues into the recessed area of hood top.
14. Slide the upper flue upward until it is aligned with its upper

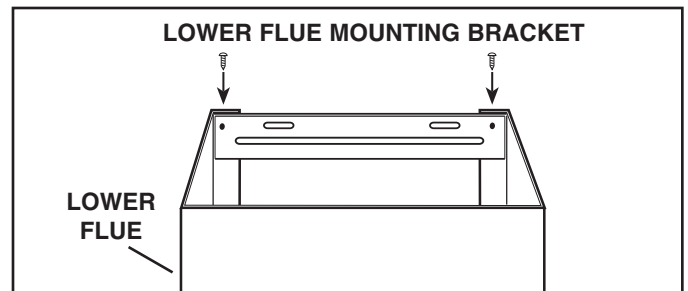


flue mounting bracket. The bracket should be inside the flue. Secure the upper flue to the upper flue mounting bracket using (2) no. 8 x 3/8" mounting screws.

15. Remove protective plastic film covering the upper flue and the hood.
16. Mount the glass plate or the stainless steel plate on the top of hood base with (4) flat head screws (M4 x 1.0") and (4) decorative washers. Screw from top of hood base. Do not overtighten these screws.

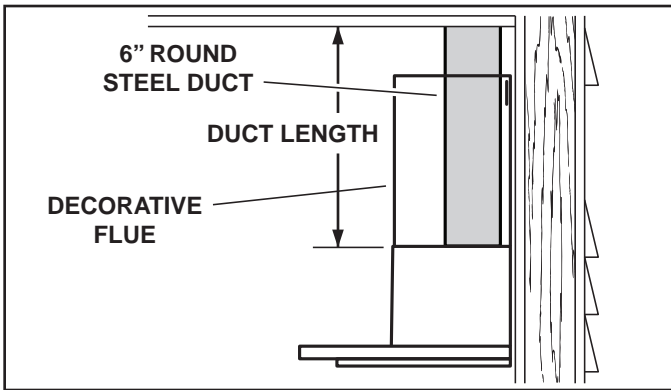
INSTALL THE HOOD (Vertically Ducted Hoods Only)

1. DO NOT REMOVE the protective plastic film covering the decorative flue and the hood at this time.
2. Lay the back side of the hood flat on a table. Use a piece of cardboard to avoid damaging the table or the hood.
3. Attach damper / duct connector to top of hood using (4) #8 x 3/8" Pan Head mounting screws.
4. Remove the grease filters by pulling down the metal latch tab and tilting filters downward to remove.
5. Carefully rotate hood upright.

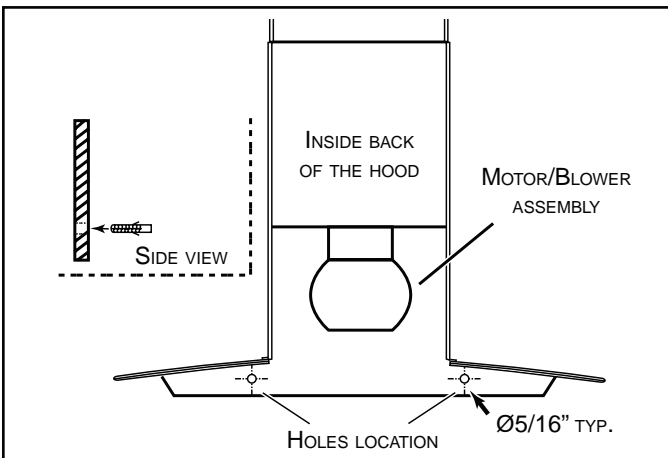


NOTE: 10-ft. ceilings require 10-ft. Flue Extension Model FXN56SS (purchase separately). Discard the upper flue supplied with your hood and replace it with the Model FXN56SS flue extension.

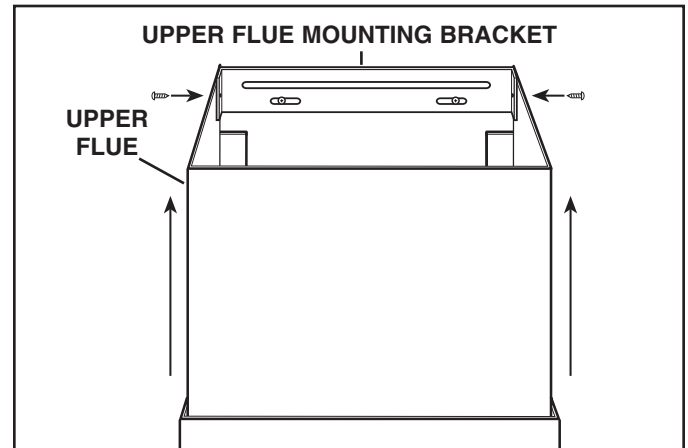
6. Remove the upper flue from inside the lower flue. Install the lower flue bracket to the lower flue using (2) flue bracket screws #8 x 3/8", make sure that the slots are at the top. Carefully replace the upper flue inside the lower flue. Remove protective plastic film covering the lower flue only.
7. Carefully place both flues into the recessed area of hood top.



8. Measure and install steel ductwork to hood duct connector. Use duct tape to make all joints secure and air tight.
9. Hold hood up close to wall mounting location and plug power cord into wall outlet.
10. Align the hood and center it above the hood mounting bracket. Make sure ductwork on hood lines up and attaches to ductwork in ceiling. Gently lower the hood until it securely engages the bracket.
11. Use duct tape to make all joints secure and air tight.



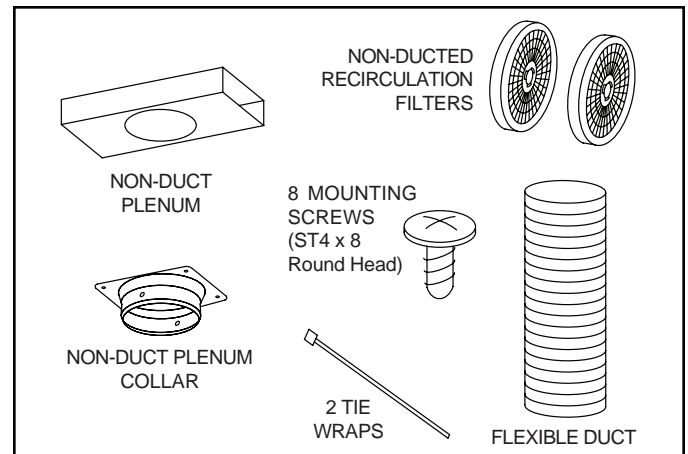
12. With the hood hanging in place, drill through both holes located in the inside lower back of hood using a $\frac{5}{16}$ " drill bit. Insert the included drywall anchors into the drilled holes (one for each hole). Install (2) washers and (2) #8 x 1-1/2" mounting screws through the hood back and into the drywall anchors. Verify that the hood is centered and leveled. Tighten all screws completely.
13. Reinstall grease filters by aligning rear filter tabs with slots in the hood. Pull down the metal latch tab, push filter into position and release. Make sure filters are securely engaged after installation.
14. Slightly push aside the upper flue to avoid any damage while installing the lower flue to the hood top using (2) #8 x 3/8" screws through the lower flue side slots.



15. Slide the upper flue upward until it is aligned with its mounting bracket. The bracket should be inside the flue. Secure the upper flue to the upper flue mounting bracket using (2) #8 x 3/8" mounting screws.
16. Remove protective plastic film covering the upper flue and the hood.
17. Mount the glass plate or the stainless steel plate to the top of hood base with (4) flat head screws (M4 x 1.0") and (4) decorative washers. Screw from top of hood base. Do not overtighten these screws.

INSTALL THE HOOD (Non-Ducted Hoods Only)

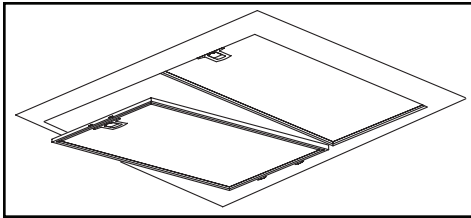
NON-DUCT KIT MODEL RK56 CONTENTS



NOTE: Non-ducted installations require Non-Duct Kit, Model RK56 (purchase separately).

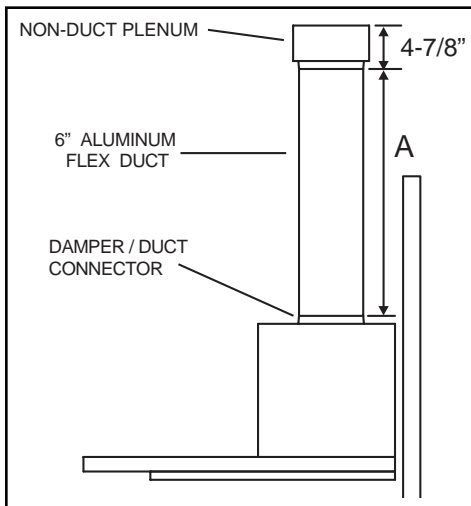
1. CAUTION: Do not use plastic or rigid metal duct.
2. Do not remove the protective plastic film covering the decorative flue and the hood at this time.
3. Lay the back side of the hood flat on a table. Use a piece of cardboard to avoid damaging the table or the hood.
4. Attach damper / duct connector to top of hood using (4) #8 x 3/8" Pan Head mounting screws.
5. Remove damper flaps from damper / duct connector and discard flaps.

6. Remove the grease filters by pulling down the metal latch tab and tilting filters downward to remove.

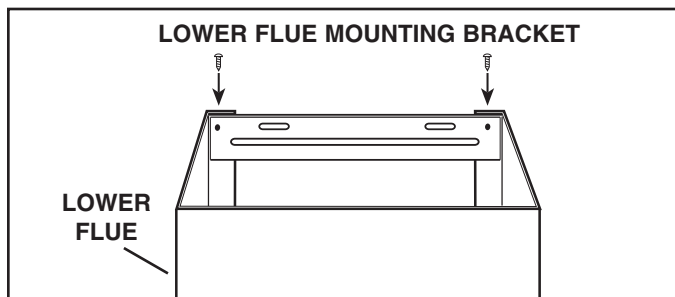


7. Attach non-duct collar to non-duct plenum using (4) ST4 x 8 round head screws.
8. Measure distance "A". This will be the length of the extended flex duct.

9. Attach aluminum flexible duct to the damper / duct connector with a tie wrap.
10. Attach flexible duct to non-duct plenum collar and secure with tie wrap. Tape all joints with duct tape.

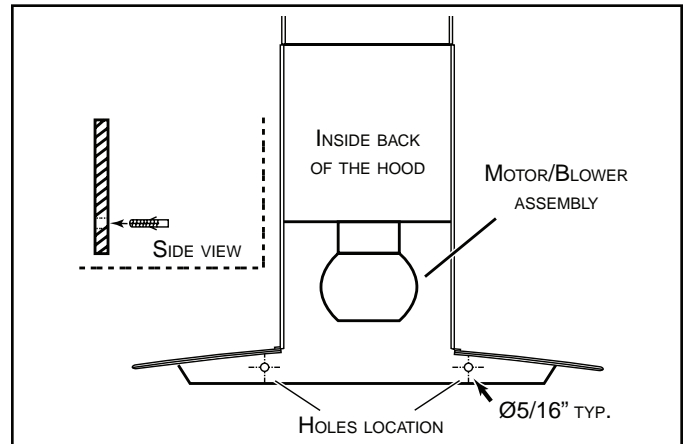


NOTE: 10-ft. ceilings require 10-ft. Flue Extension, Model FXN56SS for ducted or non-ducted installations (purchase separately). Discard the upper flue supplied with your hood and replace it with the Model FXN56SS flue extension.



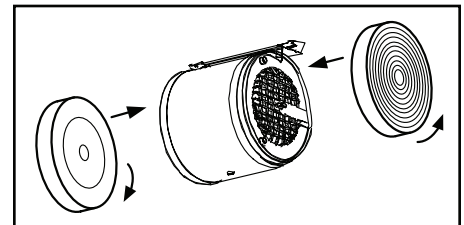
11. Remove the upper flue from inside the lower flue. Install the lower flue bracket to the lower flue using (2) flue bracket screws #8 x 3/8", make sure that the slots are at the top. Carefully replace the upper flue inside the lower flue. Remove protective plastic film covering the lower flue only.
12. Carefully place both flues into the recessed area of hood top.
13. Attach non-duct plenum with collar to upper flue using (4) ST4 x 8 round head screws.

14. Hold hood up close to wall mounting location and plug power cord into wall outlet.
15. Align the hood and center it above the hood mounting bracket. Gently lower the hood until it securely engages the bracket.



16. With the hood hanging in place, drill through both holes located in the inside lower back of hood using a 5/16" drill bit. Insert the included drywall anchors into the drilled holes (one for each hole). Install (2) washers and (2) #8 x 1-1/2" mounting screws through the back of the hood and into the drywall anchors. Verify that the hood is centered and leveled. Tighten all screws completely.

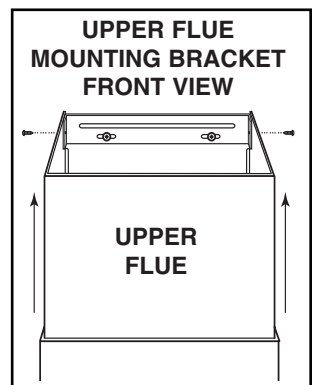
17. Attach (2) two non-duct recirculation filters to sides of blower by aligning key lock slot and rotating until filters lock into place.



For replacement non-duct recirculation filters - purchase S97018030 or ROUNDFILTER.

18. Reinstall grease filters by aligning rear filter tabs with slots in the hood. Pull down the metal latch tab, push filter into position and release. Make sure filters are securely engaged after installation.

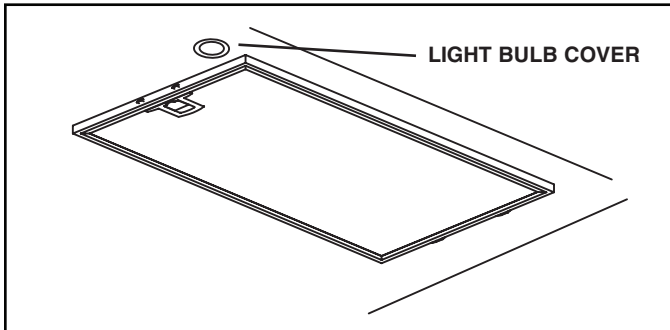
19. Slide up the upper flue until it is aligned with its mounting bracket. The bracket should be inside the flue. Secure the upper flue on the upper flue mounting bracket using (2) #8 x 3/8" mounting screws.



20. Remove protective plastic film covering the flue and the hood.

21. Mount the glass plate or the stainless steel plate on the top of hood base with (4) flat head screws (M4 x 1.0") and (4) decorative washers. Screw from top of hood base. Do not overtighten these screws.

LIGHT BULBS



⚠ WARNING

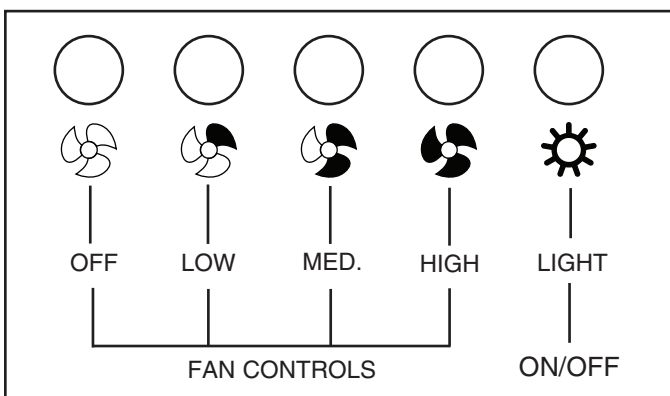
Bulbs may be hot. Always allow bulbs to cool down before removing them.

This range hood requires two halogen bulbs (Type JC, 12V, 20W Max, G-4 Base).

To change bulbs:

1. Remove light bulb cover by gently pushing it upward and turning it counterclockwise.
2. Replace bulb.
3. Re-install light bulb cover by gently pushing it upward and turning it clockwise.

OPERATION



The hood is operated using the push buttons on the front panel.

Push the light button to turn the lights on and off.

Push the fan controls to select low, medium, or high blower speed.

Push the OFF button to turn the blower off.

MAINTENANCE

Grease Filters

Grease filters should be cleaned monthly. Remove grease filters by pulling down on the metal latch tab. This will disengage the filter from the hood. Tilt the filter downward and remove.

To clean all-metal filters: Use a warm detergent solution or put them in the dishwasher using a non-phosphate detergent. Discoloration of the filter may occur if using phosphate detergent or as a result of local water conditions - but this will not affect filter performance. This discoloration is not covered by the warranty.

Non-Duct Recirculation Filters

Change the non-duct recirculation filters every 6 months. Rotate the filters to remove them from the blower and replace.

Hood Cleaning

How to maintain the bright look of stainless steel and help prevent corrosion.

Dos:

- Once a month, wash surfaces with clean cloth or rag soaked with warm water and mild soap or liquid dish detergent.
- Always clean in the direction of original polish lines.
- Always rinse well with clear water (2 or 3 times) after cleaning. Wipe dry completely.
- You may also use a specialized household stainless steel cleaner.

Don'ts:

- Do not use any steel or stainless steel wool or any other scrapers to remove stubborn dirt.
- Do not use any harsh or abrasive cleansers.
- Do not allow dirt to accumulate.
- Do not let plaster dust or any other construction residues reach the hood. During construction or renovation, cover the hood to make sure no dust sticks to stainless steel surface.

Avoid: when choosing a detergent

- Any cleaners that contain **bleach** will attack stainless steel.
- Any products containing : **chloride, fluoride, iodide, bromide** will deteriorate surfaces rapidly.
- Any **combustible products** used for cleaning such as **acetone, alcohol, ether, benzol**, etc., are highly explosive and should never be used close to a range.

SERVICE PARTS

KEY	PART NO.	DESCRIPTION	QTY.
1	S99526973	Decorative Upper and Lower Flues	1
2	S99526974	Motor / Blower Assembly	1
3	S99526975	Light Socket Assembly	2
4	S99527010	Light Trim Ring / Lens Assembly	2
5	S99526976	Push Button Assembly	1
6	S97018029	Aluminum Grease Filters (pair)	2
7	S97018030	Non-Duct Recirculation Filters (pair)	2
8	S99526981	Curved Glass Plate (B5630SS)	1
	S99527024	Curved Glass Plate (B5636SS)	1
	S99526982	Curved Metal Plate with Rail (B5730SS)	1
	S99527025	Curved Metal Plate with Rail (B5736SS)	1
9	S99526983	Damper / Duct Connector	1
10	S99526984	6" Dia. Expandable Flexible Aluminum Duct	1
11	S99526985	Non-Duct Plenum Assembly	1
12	S99526987	Hood Mounting Bracket	1
13	S99526989	Lower Flue Mounting Bracket	1
14	S99526991	Upper Flue Mounting Bracket	1
	S99527011	Transformer (not shown)	1
	S99527012	Capacitor (not shown)	1
	S99527013	Plastic Cover (not shown)	1
	S99526994	Parts Bag (not shown)	1

Order service parts by Part No. - not by Key No.

WIRING DIAGRAM

