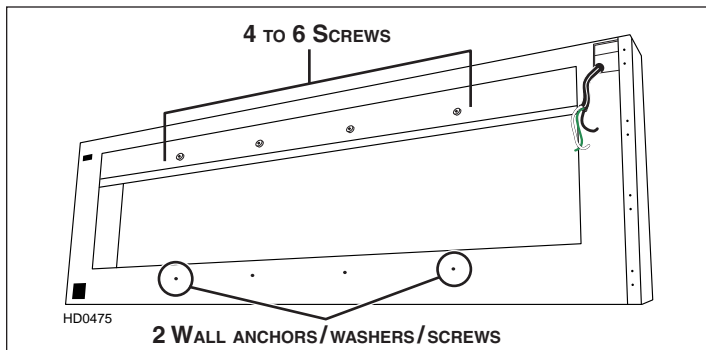


**THIS KIT CONTAINS:**

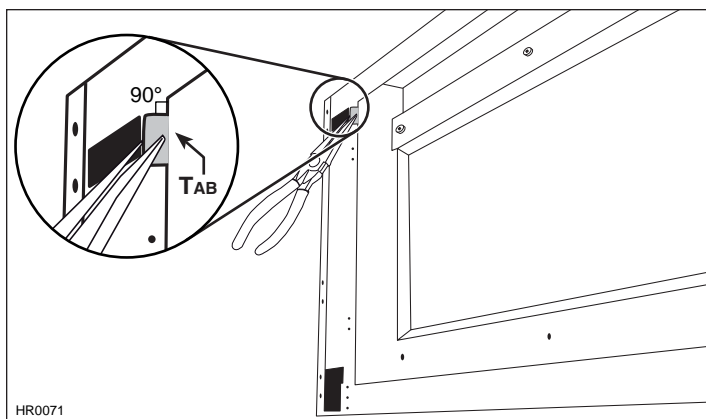
- 1 WALL EXTENSION
- 1 PARTS BAG (SERVICE PART NO. S9701887) INCLUDING:  
1 WIRE CLAMP, 8 NO. 8 X 5/8" SCREWS, 2 WALL ANCHORS, 2 WASHERS  
AND 8 NO. 10-32 X 3/8" SCREWS

**FOLLOW HOOD INSTALLATION GUIDE STEPS 1 TO 6  
PRIOR TO INSTALL WALL EXTENSION**

- 1 Insert house wiring through wall extension top, right hole.
- 2 Rest the back cavity of the wall extension on wood mounting strip (provided with the hood). Secure upper portion of the wall extension to wood mounting strip with (up to) 6 no. 8 x 5/8" screws (included).  
  
Drill two 3/16" diameter holes into the wall for wall anchors through two of the existing lower holes of the wall extension. Then, install both wall anchors, both washers and 2 no. 8 x 5/8" screws (included).



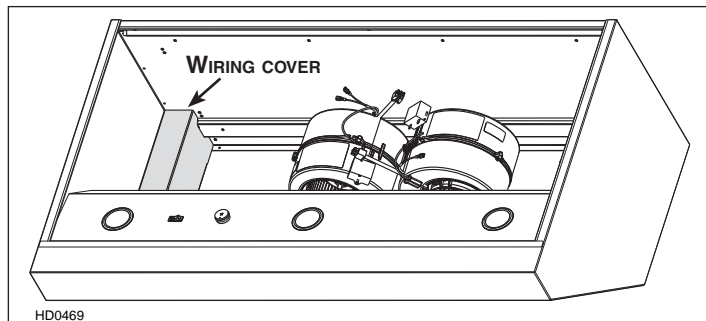
- 3 Using pliers, unfold to 90° both wall extension metal tabs to align hood during installation.



**CAUTION**

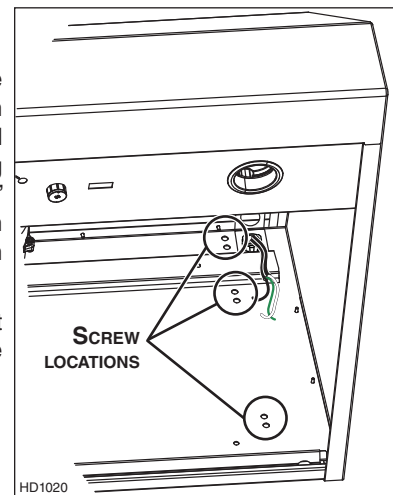
- Although not recommended, if blowers need to be removed, reinstall them using 10-32 locknuts included in hood parts bag (maximum torque of 20 lb.).
- Hold the hood until it is completely secured to the wall extension.

- 4 Remove the hood wiring cover and insert house wiring through the hood wire clamp.



- 5 Rest the back cavity of the hood on wall extension metal tabs. Secure hood to wall extension using 8 provided no. 10-32 x 1/2" quadrex screws (4 on both sides). See illustration at right.

Attach 10" round duct to adapter. Tighten wire clamp.



**FOLLOW HOOD INSTALLATION GUIDE STEPS 9 TO 11  
TO FINALIZE HOOD INSTALLATION**