

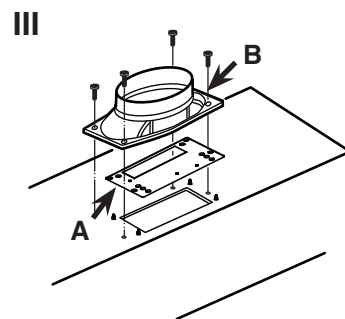
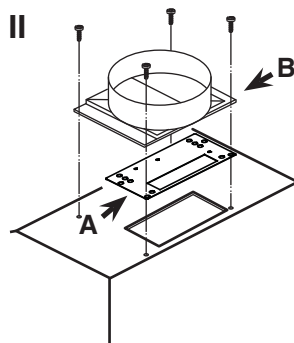
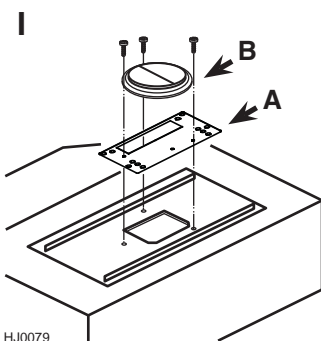
ARP8 AIRFLOW REDUCER INSTALLATION INSTRUCTIONS (7" ROUND - 8" ROUND)

NOTE: Refer to table below to find which installation type (between I, II or III) applies to your hood model. Then refer to the appropriate installation instructions.

- ❶ Install the airflow reducer (A) between the adapter (B) and the top of the hood, then assemble the adapter to the hood using screws provided in hood parts bag. See installation instruction at the bottom of the page.
- ❷ Seal the adapter to the hood using duct tape.
- ❸ Check the hood brand corresponding box on the sticker provided with this kit. Affix this sticker near the HVI certification label located inside the hood.
- ❹ Keep this air flow reducer installation instruction with the hood installation manual.

NOTE: Once installed, this reducer will limit the airflow of the range hood under 300 CFM.

SERIES	ACTUAL CFM	MAXIMUM CFM WITH REDUCER	INSTALLATION TYPE	ROUND DUCT SIZE (INCHES)
ALLURE II	300	260	II	7
CP35, CP55IQ	600	290	III	8
CPM	600	290	III	8
WP28M + P6	600	280	III	8
U102I	500	280	I	8
WP29M + P6	600	280	III	8
CC32I	600	280	III	8
UP26M + P6	600	280	III	8
UP27M + P6	600	280	III	8



08232 rev. 05