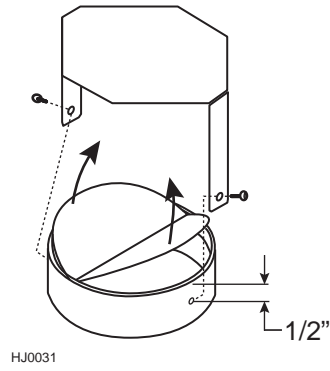
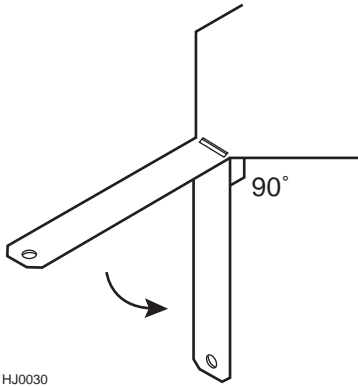


ARP6 AIRFLOW REDUCER

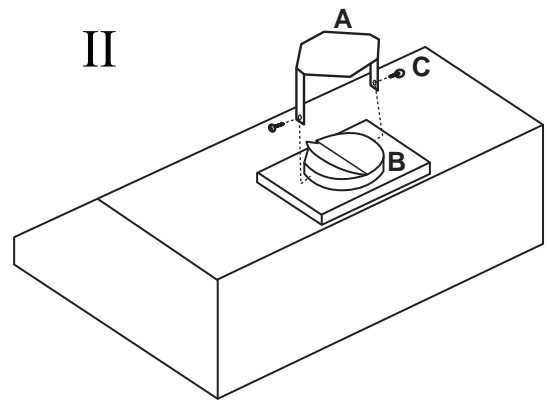
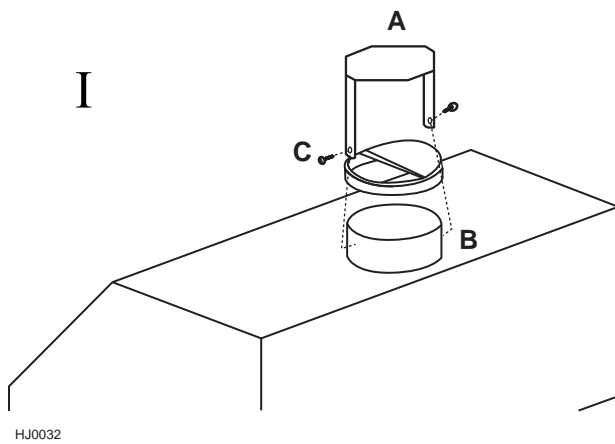
INSTALLATION INSTRUCTIONS (6" ROUND)



ALL MODELS: First, fold the side tabs.

NOTE: Drill two 1/8" diameter holes (for the screws) at 1/2" from the adapter top edge. Both holes must be perpendicular with the damper opening axis. To avoid interference with the dampers, lift them up and insert the screws in a way that dampers are above the screws.

INSTALLATION



INSTRUCTIONS

- 1) Mount the airflow reducer (**A**) over the hood adapter (**B**) with screws (**C**) included, as the illustration above. Refer to the table on the back of this sheet for the installation type according to the hood model.
- 2) Check the box corresponding to the hood brand on the sticker included. Affix it near the HVI certification sticker located inside the hood.
- 3) Keep the airflow reducer installation instructions with the hood installation manual.

NOTE: Once installed, this reducer will limit the airflow of the range hood under 300 CFM.

ARP6 AIRFLOW REDUCER

INSTALLATION INSTRUCTIONS

(6" ROUND)

SERIES	ACTUAL CFM PI ³ /MIN ACTUEL PI ³ /MIN ACTUAL	MAXIMUM CFM WITH REDUCER	INSTALLATION
61000	450	280	II
B59000	450	231	II
BDF/NTM	500	170	II
E12000	500	270	I
E54000	480	280	I
E55000	360	260	I
EI59000	500	270	II
EW58000	500	270	II
IS170	450	275	II
IS23	500	290	II
IS241	500	290	II
IS502	450	280	II
K15	500	290	II
K273	500	290	II
K29	500	290	II
K30	500	290	II
K3139	400	280	I
K34	500	290	II
K3500	450	280	I
K41	500	290	II
K7388	450	280	I
K7788	440	275	I
K8087	450	280	I
P1951M	400	260	II
P195P1M	520	282	II
PM390	390	260	I
PM500	500	290	I
RM51000	370	260	I
RM52000	370	260	I
RM53000	370	260	I
RM65000	450	275	II
RMPI	500	290	I
VJ504/VJ603/VJ604 VJ705/VJ706	450	280	II
VJ703	370	220	II
VJ704	450	230	II
WC231	410	270	II
WC261	480	285	I
VCS500	500	290	II
VCS550	550	295	II