

ANKWC53, HRKBLS, HRKBSS, HRKMBS AND HRKMSS NON-DUCT KITS INSTALLATION SHEET

⚠ WARNING

It is recommended to wear safety glasses and gloves while performing these instructions.

- 1 Remove the knockout in order to clear vertical discharge opening.
- 2 Mount the 6" round adapter/damper (included with the range hood) using 4 no. 8 x 3/8" screws (included with the range hood). Seal the adapter/damper to the hood using metal foil duct tape.

Perform steps 7 to 10 in range hood installation guide, then continue here using the non-duct kit parts.

- 3 Remove the shipping tape retaining the lower and upper plenum plates with the 6" round adapter together. Carefully align the upper plenum plate central notch with the line traced in step 8 from range hood installation manual (see inset at right) and place it flush to the ceiling. Use the plate as a template to mark the position (A) of its screws.

NOTE: To ease installation, there are many screw configurations: 9 in ceiling and 3 in wall. Only 4 screws are needed to hold the top plenum plate.

Insert the included drywall anchors in the marked holes, then secure the upper plate using 4 no. 8 x 3/4" screws and washers (included with non-duct kit). Make sure the plate is tight against the wall and ceiling.

- 4 Using 4 no. 8 x 3/8" provided screws, assemble the 6" round adapter to the lower plenum plate.

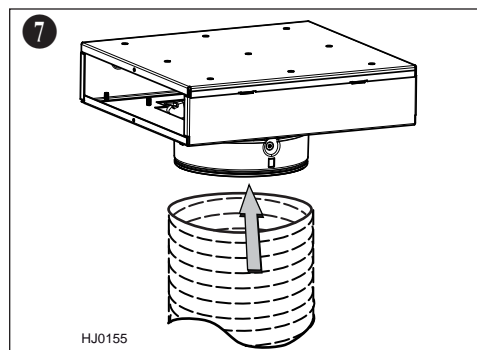
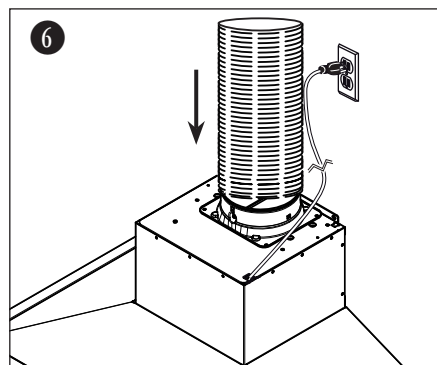
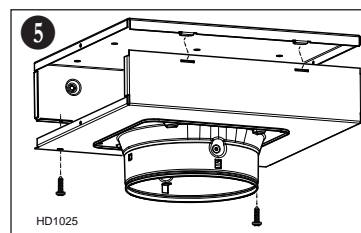
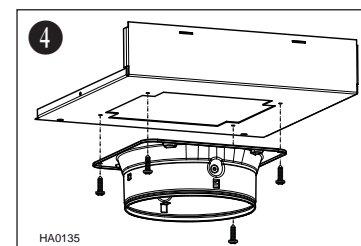
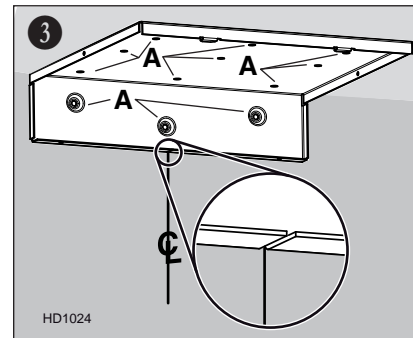
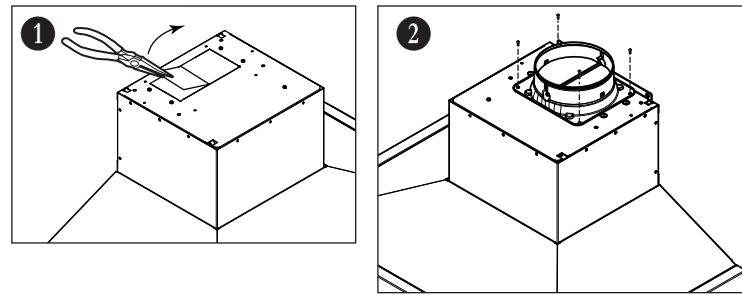
- 5 Assemble the lower plenum plate and 6" round adapter assembly to the upper plate by inserting both tabs of the top plenum plate to their corresponding slots in lower plenum plate. Secure the plenum assembly using 2 no. 8-18 x 3/8" screws (included).

- 6 Plug hood power cord into the outlet.

Slide a 6" round flexible metal duct (included) over the adapter/damper on the hood. Use metal foil duct tape to seal the joint.

- 7 Stretch the flexible metal duct up to the plenum, over the adapter. Use metal foil duct tape to seal the joint.

Continue on next page. ➡



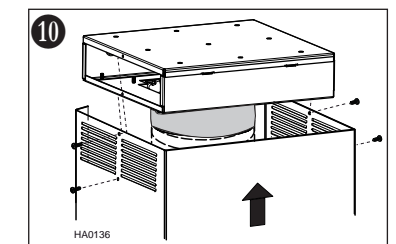
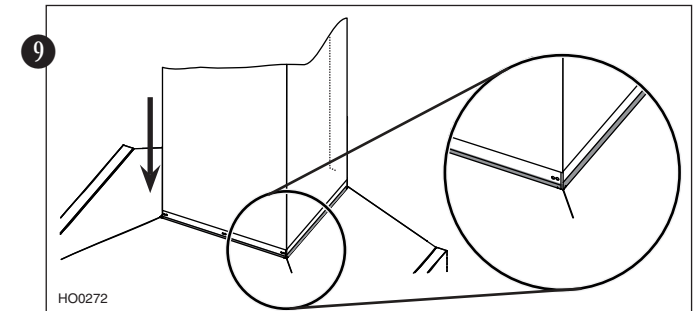
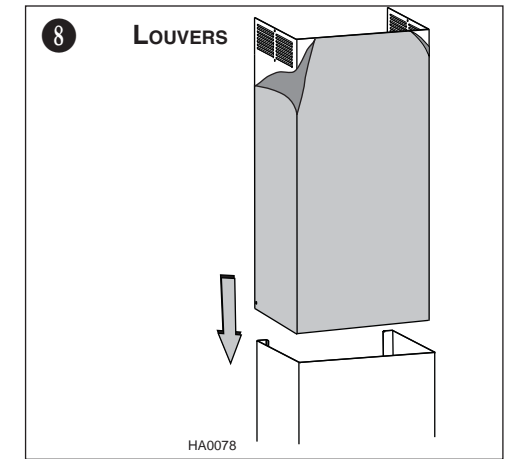
- 8 Remove protective plastic film covering the lower flue only.
NOTE: Do not use the upper decorative flue included with the hood. Peel off the plastic film covering both top corners of the upper decorative flue (included with the non-duct kit). Position the lower flue rear notches down (the ones with the 45° angle). Gently slide upper flue inside lower flue, louvers end up.

- 9 Carefully slide in place the decorative flue base (notches end first) in the groove (shaded part in inset at right) behind the exterior wall of the top of the hood.

- 10 Slide the upper flue up to the ceiling. The plenum must be inside the flue. Secure the upper flue to the plenum sides using 2 no. 8 x 3/8" screws (included) per side for stainless steel model or 2 no. 8 x 1/2" black screws (included) per side for black stainless model.

NOTE: Ceiling not shown in illustration to ease understanding.

- 11 Remove protective plastic film covering the upper flue. Install the charcoal filters by following the instructions packed with charcoal filters. Go to step 16 in range hood installation manual to finalise the hood installation. Refer to the range hood specification label to get the charcoal filters replacement type.



ANKWC53, HRKBLS AND HRKBSS Non-DUCT KITS

KEY No.	PART No.	DESCRIPTION	QTY.
12	SV63628	NON-DUCT KIT UPPER DECORATIVE FLUE CHIMNEY, STAINLESS STEEL	1
	SV63629	NON-DUCT KIT UPPER DECORATIVE FLUE CHIMNEY, BLACK STAINLESS STEEL	1
13	SV22756	6" ROUND METAL FLEXIBLE DUCT	1
14	SV63626	UPPER PLENUM PLATE	1
15	SV63627	LOWER PLENUM PLATE	1
16	SV08487WD	6" ROUND ADAPTER	1
17	SV22759	CHARCOAL FILTER (PAIR)	1
18	SV22757	CHARCOAL FILTER CLIP (SET OF 4)	1
*	SV05803	PARTS BAG: 10 NO. 8-18 x 3/8" SCREWS, 4 NO. 8 x 1/2" BLACK SCREWS, 9 NO. 8-18 x 3/4" SCREWS, 4 WASHERS, 9 DRYWALL ANCHORS, 6 NO. 6 x 1/2" SCREWS.	1

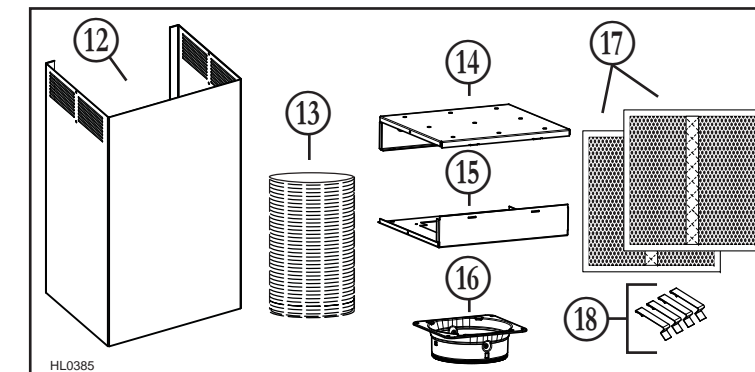
* NOT SHOWN.

HRKMBS AND HRKMSS Non-DUCT KITS

KEY No.	PART No.	DESCRIPTION	QTY.
13	SV63628	NON-DUCT KIT UPPER DECORATIVE FLUE CHIMNEY, STAINLESS STEEL	1
	SV63629	NON-DUCT KIT UPPER DECORATIVE FLUE CHIMNEY, BLACK STAINLESS STEEL	1
14	SV22756	6" ROUND METAL FLEXIBLE DUCT	1
15	SV63626	UPPER PLENUM PLATE	1
16	SV63627	LOWER PLENUM PLATE	1
17	SV08487WD	6" ROUND ADAPTER	1
18	SV22758	CHARCOAL FILTER (PAIR) (INCLUDING ITEM 19)	1
19	S99527587	CHARCOAL FILTER CLIP (SET OF 4)	1
*	SV05803	PARTS BAG: 10 NO. 8-18 x 3/8" SCREWS, 4 NO. 8 x 1/2" BLACK SCREWS, 9 NO. 8-18 x 3/4" SCREWS, 4 WASHERS, 9 DRYWALL ANCHORS, 6 NO. 6 x 1/2" SCREWS.	1

* NOT SHOWN.

ANKWC53, HRKBLS, HRKBSS



HRKMBS, HRKMSS

