

### ENGLISH

#### READ AND SAVE THESE INSTRUCTIONS

#### INSTALLER: LEAVE THIS INSTRUCTION SHEET WITH THE HOMEOWNER

##### THIS KIT CONTAINS:

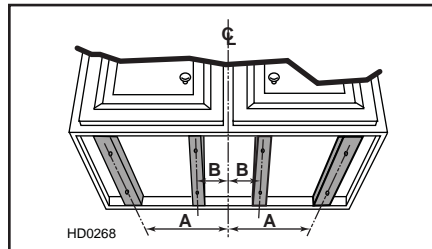
- **1 SERVICE PARTS BAG** (PART NO. SV08351) INCLUDING:
    - 8 NO. 8-10 x 1/2" SCREWS
    - 20 NO. 8-18 x 3/8" SCREWS (EXTRA SCREWS PROVIDED FOR LARGER HOODS)
    - 4 NO. 8-32 x 1/2" SCREWS
  - **1 NON-DUCT KIT FLUE**
  - **1 12" WIRE SLEEVE**
  - **2 OR 4\* CHARCOAL FILTER SUPPORTS**
  - **2 OR 4\* CHARCOAL FILTERS**
- \*2 FOR 30" AND 36" WIDTH HOODS OR 4 FOR 42" AND 48" WIDTH HOODS

### CAUTION

- **Remove protective plastic film covering the non-duct kit flue before installing it.**
- **Additional installers are recommended because of the large size and weight of the non duct kit flue and the hood.**

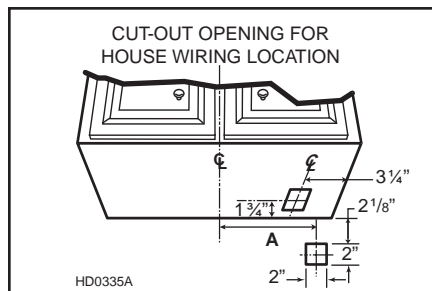
WHEN PLANNING AN INSTALLATION, THE OVERALL HEIGHT OF THE NON-DUCT KIT FLUE AND THE HOOD SHOULD BE CONSIDERED. THE MINIMUM HOOD DISTANCE ABOVE COOKTOP MUST NOT BE LESS THAN 24". A MAXIMUM OF 30" ABOVE COOKTOP IS RECOMMENDED FOR BEST CAPTURE OF COOKING IMPURITIES. DISTANCES OVER 30" ARE AT THE INSTALLER AND USERS DISCRETION.

NOTE: FOR CABINETS WITH RECESSED BOTTOM, ATTACH 4 WOOD FILLER STRIPS CUT TO LENGTH (NOT INCLUDED), AS SHOWN BESIDE. SEE TABLE BELOW FOR WOOD FILLER STRIPS LOCATION.

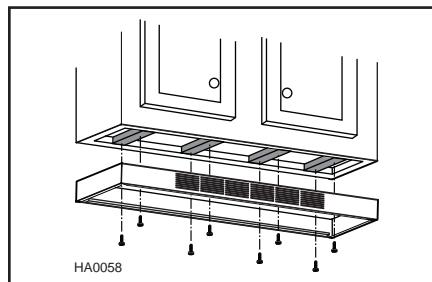


RECIRCULATION KIT WIDTH	CENTER OF WOOD STRIP LOCATION (A)	CENTER OF WOOD STRIP LOCATION (B)
30"	13 <sup>3</sup> / <sub>8</sub> "	10"
36"	16 <sup>3</sup> / <sub>8</sub> "	10"
42"	19 <sup>3</sup> / <sub>8</sub> "	10"
48"	22 <sup>3</sup> / <sub>8</sub> "	10"

- 1 AS SHOWN BESIDE, IF THE POWER CABLE COMES FROM THE BACK WALL, CUT A HOLE IN THE BACK WALL. IF THE POWER CABLE COMES FROM THE CABINET, CUT A HOLE IN THE CABINET BASE. IF THE CABLE RUNS INTO THE NON-DUCT KIT FLUE THROUGH THE TOP GROMMET IT **MUST BE SLIDED INTO THE WIRE SLEEVE** (INCLUDED) TO PROTECT IT FROM GREASE.

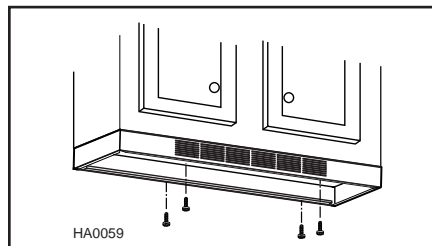


- 2 PLACE THE NON-DUCT KIT FLUE AT ITS LOCATION, UNDER THE CABINET. USING A PEN, MARK THE POSITION OF THE MOUNTING SCREWS (SMALL PART OF THE KEYHOLES). REMOVE THE NON-DUCT KIT FLUE AND INSTALL (4) NO. 8-10 x 1/2" SCREWS LEAVING A 1/8" GAP. PLACE THE NON-DUCT KIT FLUE UNDER THE CABINET. IF THE POWER CABLE COMES FROM THE CABINET, RUN THE POWER CABLE WITH SLEEVE INTO THE NON-DUCT KIT FLUE THROUGH THE GROMMET LOCATED ON ITS TOP. SLIDE THE FLUE IN POSITION AND SECURE IT BY TIGHTENING THE SCREWS COMPLETELY. SECURE THE FLUE TO THE CABINET WITH THE REST OF THE NO. 8-10 x 1/2" SCREWS.

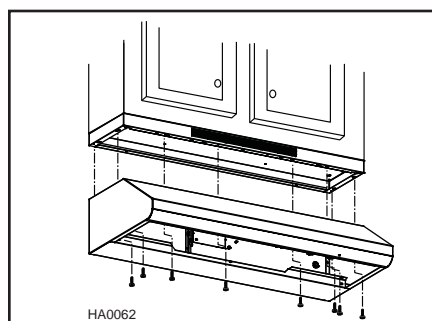


- 3 INSTALL (4) NO. 8-32 x 1/2" SCREWS, LEAVING A 1/8" GAP, IN FRONT AND REAR FLANGES (2 PER FLANGES) OF THE NON-DUCT KIT FLUE, AS SHOWN BESIDE.

NOTE: IT IS A GOOD PRACTICE TO SEAL THE NON-DUCT KIT FLUE AND HOOD HOLES WITH DUCT TAPE.

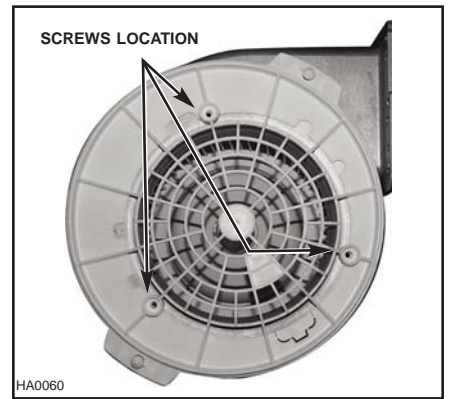


- 4 PLACE THE HOOD UNDER THE NON-DUCT KIT FLUE. SLIDE THE HOOD IN POSITION AND SECURE IT BY TIGHTENING THE SCREWS COMPLETELY. FINALIZE MOUNTING THE HOOD TO THE NON-DUCT KIT FLUE USING THE NO. 8-18 x 3/8" SCREWS (2 PER FLUE SIDE, 4 OR LESS AT FRONT, DEPENDING ON HOOD/FLUE WIDTH). SEE ILLUSTRATION BESIDE. CONTINUE THE HOOD INSTALLATION.

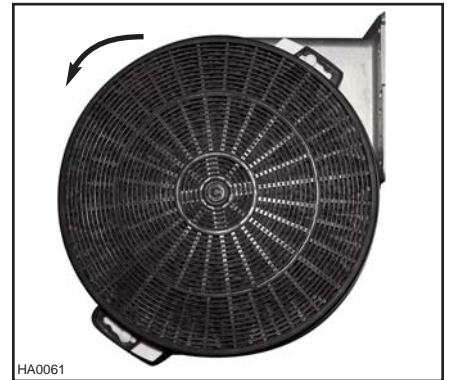


### HOW TO INSTALL CHARCOAL FILTERS

- 1 USING NO. 8-18 x 3/8" PROVIDED SCREWS, INSTALL BOTH FILTER SUPPORTS ON EACH SIDE OF THE INTERNAL MOTOR(S). DISCARD EXTRA SCREWS.



- 2 FOR EACH MOTOR SIDE, POSITION FILTER OVER ITS SUPPORT AND ROTATE TO LOCK IT IN PLACE.



REPLACEMENT IS RECOMMENDED AFTER 30 HOURS OF COOKING OR SIX MONTHS OF OPERATION. REPLACE MORE OFTEN IF YOUR COOKING HABITS GENERATES MORE GREASE.