

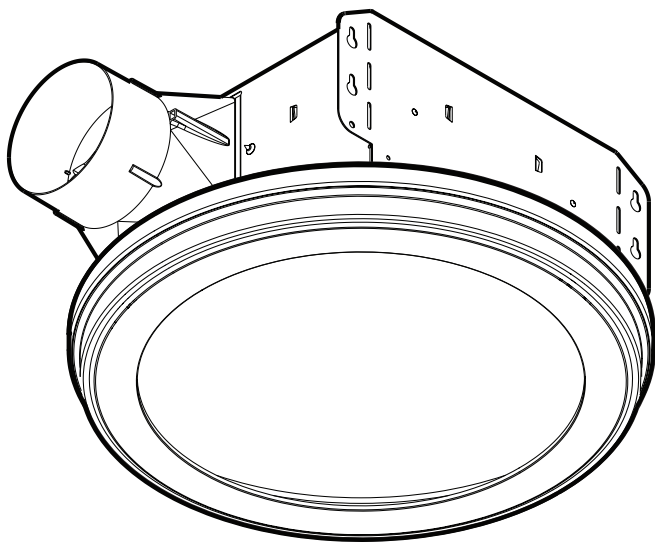
ROOMSIDE SERIES

Decorative Fan-Light

[®]**BRONN**
[®]**BYTORN**

Model number: AER110SLW
AERN110SLW

INSTALLATION AND
USE & CARE INSTRUCTIONS



**Installer: Leave this manual with the homeowner.
READ AND SAVE THESE INSTRUCTIONS**

⚠ WARNING



To reduce the risk of fire, electric shock, or injury to persons, observe the following:



- Use this unit only in the manner intended by the manufacturer. If you have questions, contact the manufacturer at the address or telephone number listed in the warranty.
- Before servicing or cleaning unit, switch power off at service panel and lock the service disconnecting means to prevent power from being switched on accidentally. When the service disconnecting means cannot be locked, securely fasten a prominent warning device, such as a tag, to the service panel.
- Installation work and electrical wiring must be done by a qualified person(s) in accordance with all applicable codes and standards, including fire-rated construction codes and standards.
- Sufficient air is needed for proper combustion and exhausting of gases through the flue (chimney) of fuel burning equipment to prevent backdrafting. Follow the heating equipment manufacturer's guideline and safety standards such as those published by the National Fire Protection Association (NFPA), and the American Society for Heating, Refrigeration and Air Conditioning Engineers (ASHRAE), and the local code authorities.
- When cutting or drilling into wall or ceiling, do not damage electrical wiring and other hidden utilities.
- Ducted fans must always be vented to the outdoors.
- This unit must be grounded.

⚠ CAUTION



- For general ventilating use only. Do not use to exhaust hazardous or explosive materials and vapors.
- For installation in flat ceilings only.
- To avoid motor bearing damage and noisy and/or unbalanced impellers, keep drywall spray, construction dust, etc. off power unit.
- Please read specification label on product for further information and requirements.

CLEANING & MAINTENANCE

For quiet and efficient operation, long life, and attractive appearance - remove grille and vacuum interior of unit with the dusting brush attachment.

The motor is permanently lubricated and never needs oiling. If the motor bearings are making excessive or unusual noises, replace the blower assembly (includes motor and impeller).

SENSOR CLEANING

The humidity sensor is mounted in the control housing. The sensor will operate most reliably when cleaned occasionally as follows:

1. Disconnect power at service entrance.
2. Remove the grille. Use a dry dustcloth, clean toothbrush, or lightly vacuum to clean sensor and grille. **DO NOT USE ABRASIVE CLOTH, STEEL WOOL PADS, OR SCOURING POWDERS.**
3. **DO NOT USE** cleaning sprays, solvents, or water on or near the sensor!

OPERATION

The humidity control and fan can be operated separately. Use a 1- or 2-function wall control. Do not use a dimmer switch to operate the humidity control.

SENSOR OPERATION

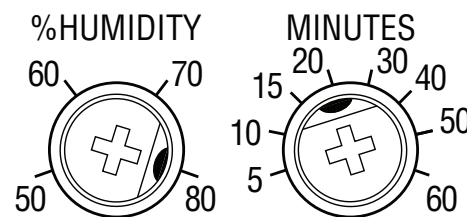
This humidity-sensing fan uses a sophisticated humidity sensor that responds to: (a) rapid to moderate increases in humidity or (b) humidity above a set-point. The humidity sensor may occasionally turn the fan ON when environmental conditions change.

MANUAL ON WITH TIMED OFF

This humidity sensing fan has an additional operation feature. For odor or vapor control, the fan can be energized by cycling the power switch. Once the fan has been energized in this manner, it will remain on for the set timer period.

To manually energize the fan:

1. If fan power switch is already ON, proceed to Step 2; otherwise, turn power switch ON for more than 1 second.
2. Turn fan power switch OFF for less than 1 second.
3. Turn fan power switch back ON and fan will turn ON.



Factory settings shown.

% HUMIDITY ADJUSTMENT

%HUMIDITY has been factory set at 80% for most shower applications. If fan is not responding to changing humidity conditions, adjust toward 50%. If fan is responding too often to changing humidity conditions, adjust toward 80%. If fan is still responding too often at 80%, contact Broan Technical Support.

To adjust the %HUMIDITY:

1. Turn power off at electrical service panel.
2. Use a small screwdriver to carefully rotate %HUMIDITY control to desired level.
3. Turn power on.
4. Repeat above steps if necessary.

MINUTES ADJUSTMENT (TIMER)

This humidity-sensing fan has a timer that controls how long the fan remains on after (a) rise in humidity and (b) humidity level are both below the user-adjustable %HUMIDITY setting, or after being energized by cycling power switch.

To adjust the timer:

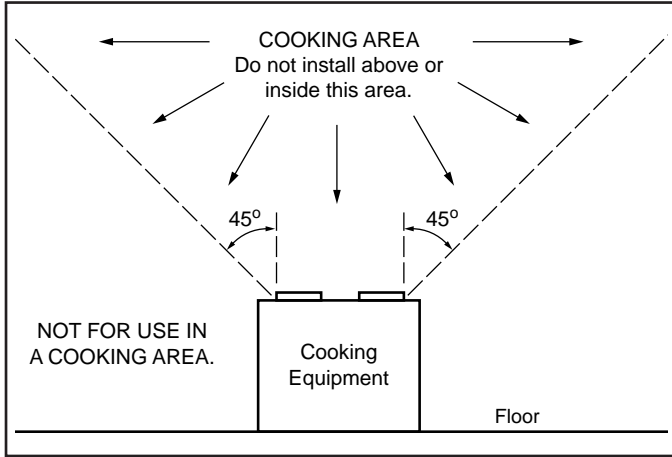
1. Disconnect power at electrical service panel.
2. Use a small screwdriver to carefully rotate MINUTES control to increase or decrease time.
3. Turn power on.
4. Repeat above steps if necessary.

INSTALLATION

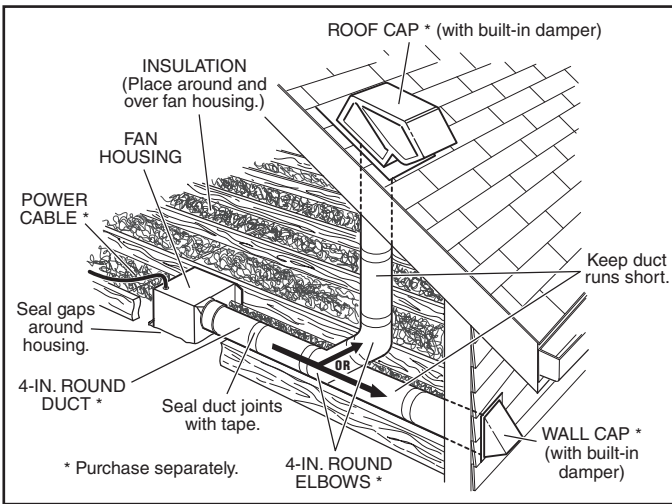
4

ALL INSTALLATIONS

Start here.

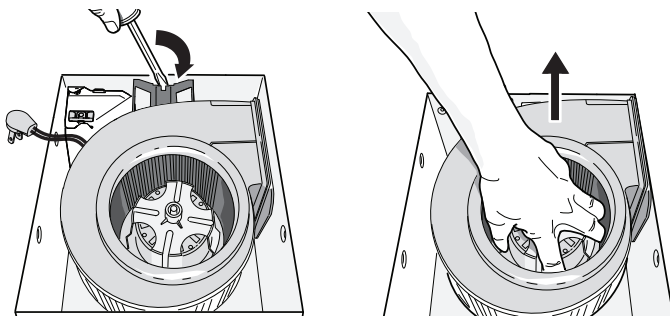


IMPORTANT - The ducting from this fan to the outside of the building has a strong effect on the air flow, noise and energy use of the fan. Use the shortest, straightest duct routing possible for best performance, and avoid installing the fan with smaller ducts than recommended. Insulation around the ducts can reduce energy loss and inhibit mold growth. Fans installed with existing ducts may not achieve their rated airflow.

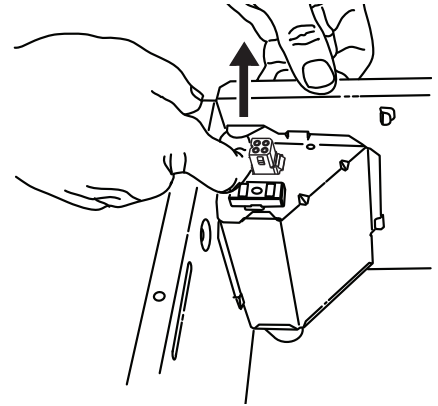


OPTION - To mount housing anywhere between ceiling framing: Use optional Hanger Bar Kit (sold separately from local distributors or website). Follow mounting instructions included with kit.

1. Remove blower and all packing material from fan housing.

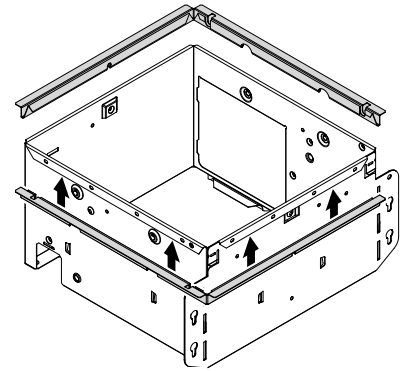


2. Remove wiring panel from fan housing (if already installed).

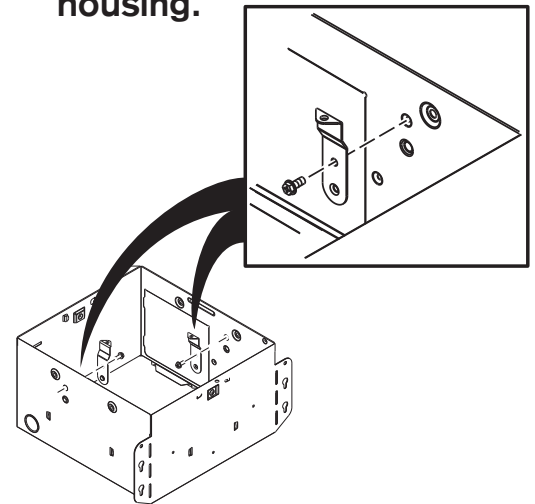


3. A pair of flanges may be attached to housing if desired or required.

Snap both flange pieces under rolled-over edge of housing (all four sides).



4. Attach grille brackets to housing.

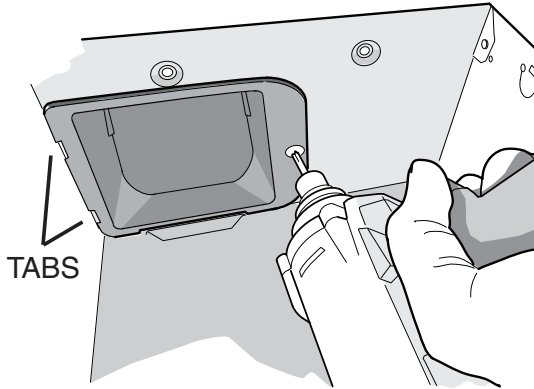


NEW CONSTRUCTION

For Retrofit Installation - Skip to Page 6.

5. Attach damper/duct connector to fan housing.

Push connector through opening from inside of housing. Engage tabs and secure with screw from parts bag.



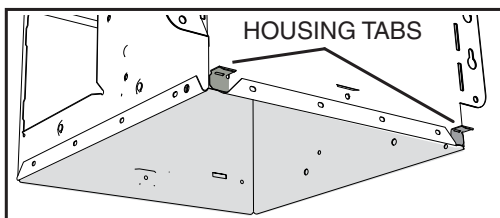
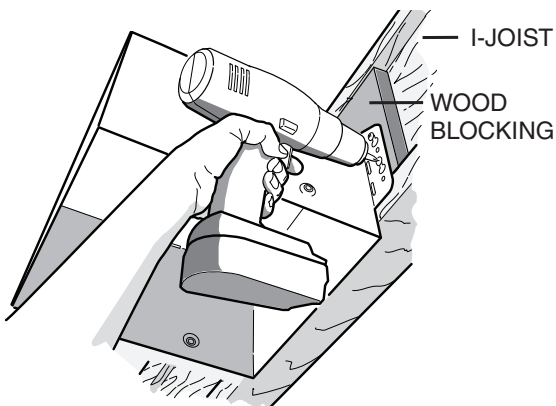
6. Mount housing to ceiling structure.

Make sure bottom of housing will be flush with finished ceiling.

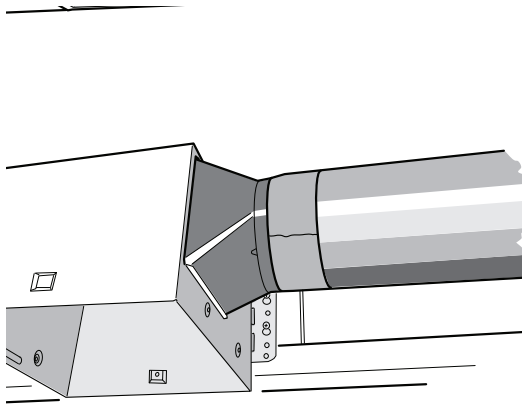
For proper location using 1/2" ceiling material: Bend out housing tabs to fit against bottom of structure.

Secure housing through mounting ears with appropriate fasteners.

If mounting housing to I-joist, use wood blocking as shown.

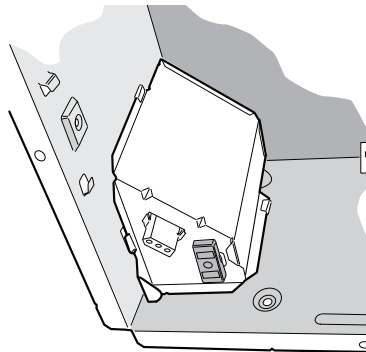


7. Connect 4-in. round duct.



8. Connect wiring.

Connect power cable to housing with appropriate UL approved connector. Make wiring connections as shown in "Wiring Diagrams" section. Re-install wiring panel and secure with screw from parts bag.



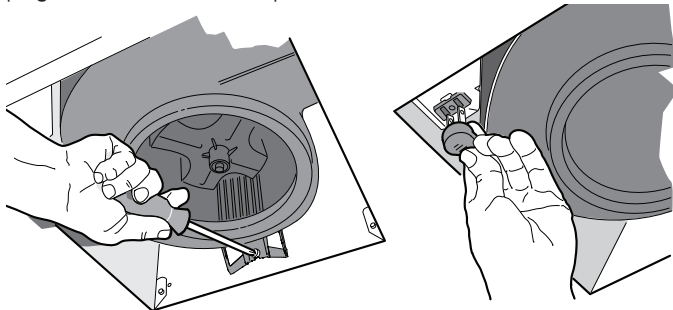
⚠ CAUTION



- DO NOT TOUCH THE HUMIDITY-SENSING CIRCUIT BOARD. Electrostatic discharge may damage the circuit board.

9. Install blower.

Re-install blower. Secure blower with (2) screws from parts bag and plug blower into black receptacle.



⚠ CAUTION

- Make sure that the wiring inside of the housing does not interfere with re-installation of the blower.

10. Finish ceiling, then install grille.

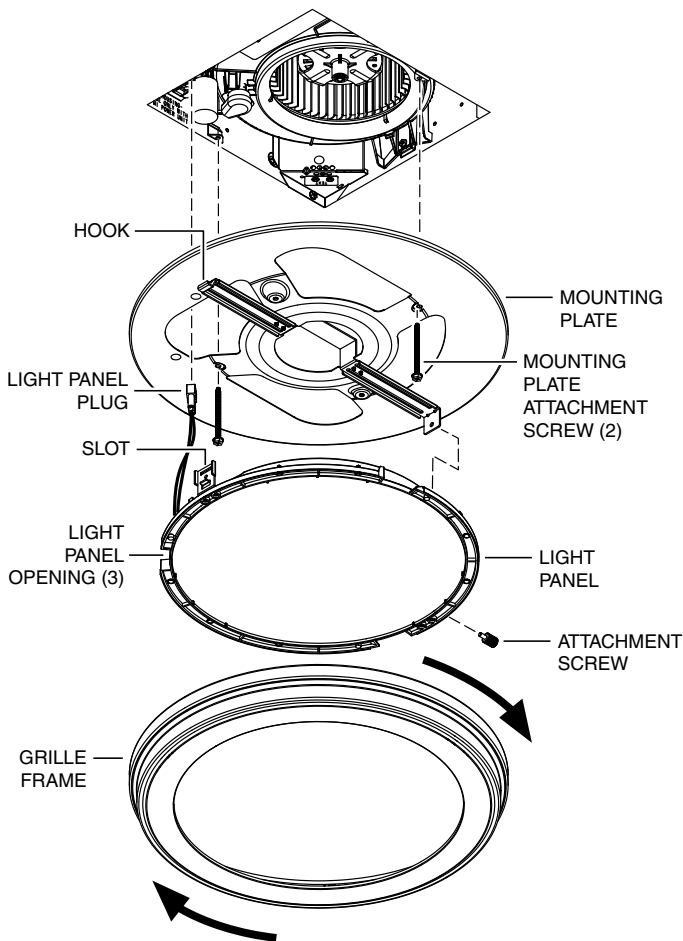
Attach MOUNTING PLATE to housing with (2) SCREWS.

Connect LIGHT PANEL PLUG to receptacle in corner of housing.

Place LIGHT PANEL SLOT over HOOK on MOUNTING PLATE.

Swing opposite side of LIGHT PANEL up to MOUNTING PLATE and secure with ATTACHMENT SCREW.

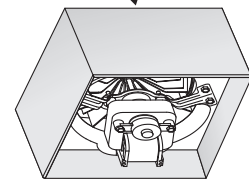
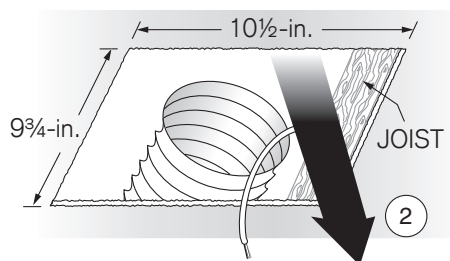
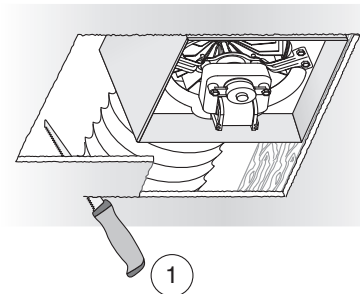
Line up GRILLE FRAME with (3) LIGHT PANEL OPENINGS and rotate GRILLE FRAME clockwise to secure it to LIGHT PANEL.



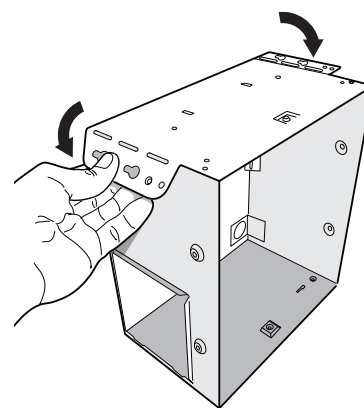
RETROFIT

5. Remove old fan.

Enlarge ceiling opening (if necessary) to 9¾" (parallel to joist) by 10½" (perpendicular to joist). Leave ductwork and wiring in place.

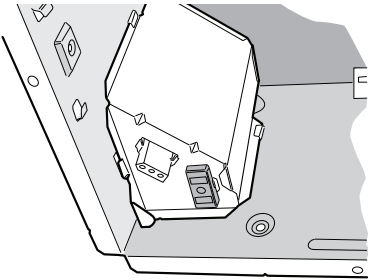


6. Fold mounting ears flat against housing.



7. Connect wiring.

Connect power cable to housing with appropriate UL approved connector. Make wiring connections as shown in "Wiring Diagrams" section. Re-install wiring panel and secure with screw from parts bag.



⚠ CAUTION

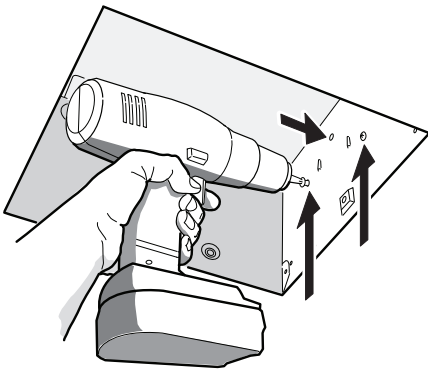


- DO NOT TOUCH THE HUMIDITY-SENSING CIRCUIT BOARD. Electrostatic discharge may damage the circuit board.

8. Mount fan to ceiling structure.

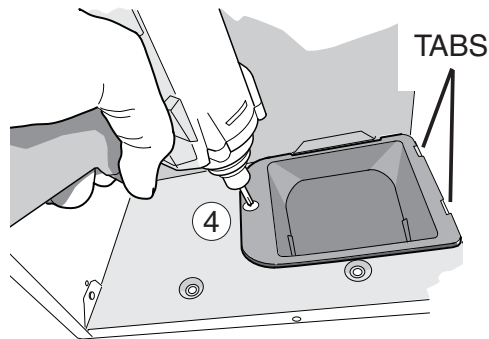
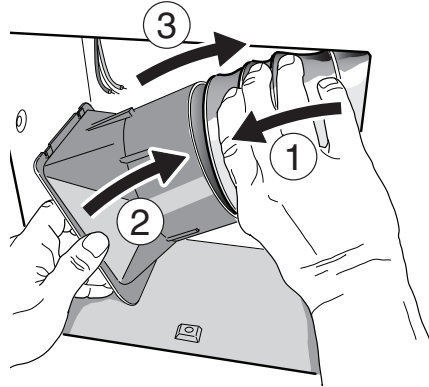
Mount housing to ceiling structure with standard drywall or wood screws in locations shown.

*Center hole optional.



9. Connect 4-in. round duct.

- ① Pull existing ducting through housing discharge opening.
- ② Attach and tape ducting to duct connector.
- ③ Push connector/ducting back through opening.
- ④ Engage tabs and secure with screw from parts bag.



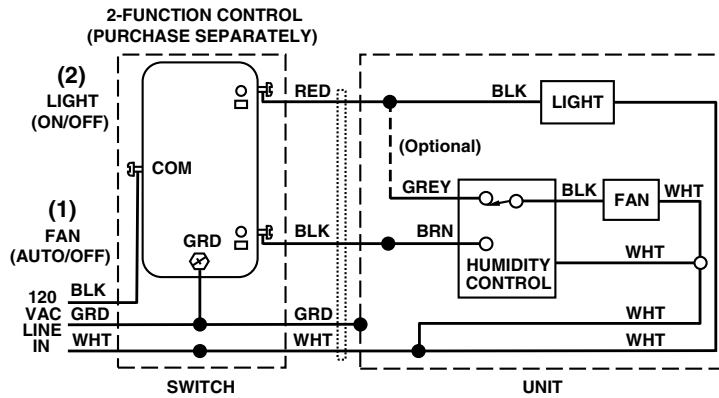
Install blower. Finish ceiling, then install grille.

See Steps 9 & 10 on Page 6.

WIRING DIAGRAMS

WIRING OPTION #1

- When first switch (1) is ON, fan will operate automatically, based on room humidity conditions.
- Turn fan ON immediately for the set timer period (to control odors), by cycling first switch.
- Use second switch (2) to turn light ON/OFF.
- With optional connection shown, fan will always be ON when light is ON.



WIRING OPTION #2

- When first switch (1) is ON, fan will operate automatically based on room humidity conditions.
- Turn fan ON immediately (to control odors) by using second switch (2).
- Use third switch (3) to turn light ON/OFF.

