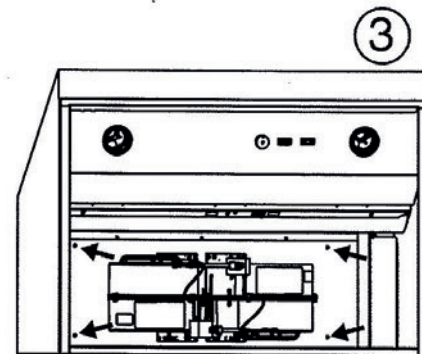
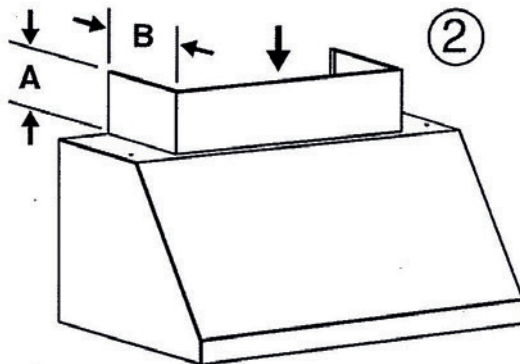
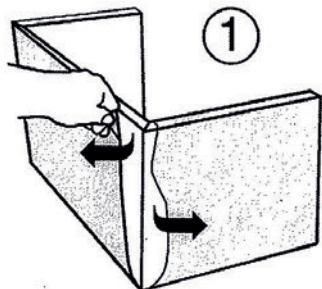


BROAN *Elite*



8-ft. ceiling	A = 6-in.	B = 13-in. or 16-in. (extended)
9-ft. ceiling	A = 18-in.	B = 13-in. or 16-in. (extended)
10-ft. ceiling	A = 30-in.	B = 13-in. or 16-in. (extended)



Service Part SV07843 contains
(8) #8-32 Phillips Truss
Stainless Steel Screws

AEEP Series Decorative Flue Cover for EPD6I Series Range Hood

Follow hood installation manual
Steps 1-8 prior to installing flue
cover, and Steps 10-11 to finalize
hood installation.