

# The control your fan needs to ventilate smarter.

The perfect control switch is a beautiful finishing touch, and our attractive options provide the speed, sensing and control needed for any spot ventilation solution. Sleek styles in bright white complement all designs and color palettes. All you need is the faceplate to match your décor. Installation is simple, and the results will help you breathe easy.



## Single-Function Control

### Model 69W

- Single Function
- Ideal for use with fan only models
- 120V, 15 amps
- Available in White



## Humidity Sensing Controls

### Sensaire™ Humidity Sensing Switch

#### Models 82A\*, 82W\*

- Turn any ventilation fan into a humidity-sensing solution
- Up to 4X faster humidity sensing than the competition
- Helps reduce mold and mildew to improve indoor air quality
- Three easy-to-program modes: Auto Sense Mode, Duty Cycle Mode & RH% Humidistat mode
- Rated 120V at 60Hz, max total of 9 amps/switch
- Available in Ivory (I) or White (W)

### Digital Dehumidistat Model DD500W\*

- Turn any ventilation fan into a humidity-sensing solution
- Reduce mold and mildew to improve indoor air quality
- Precision control enables desired humidity level to start the fan
- LED indicates fan on/off status
- Rated 120V at 60Hz, max total of 9 amps/switch
- Replaces obsolete model DH100W



NEW

### Two-Function Control

#### Model P2RW\*

- Two rocker switches control any two functions: fan, light, heater or nightlight
- Save space, conveniently fitting in a single gang box
- Simple installation saves time and money
- Rated 120V at 60Hz, max total of 15 amps/switch
- Replaces obsolete models: 269VL, 269WL, 68V, 68W, P68W, P68WN



NEW

### Three-Function Control

#### Model P3RW\*

- Control multiple applications from a single, central location
- Control any exhaust fan, fan/light or heater/fan/light
- Save space, conveniently fitting in a single gang box
- Simple installation saves time and money
- Rated 120V at 60Hz, max total of 15 amps/switch
- Replaces obsolete models: 66V, 66W, P66V, P66W, P66WN



### Four-Function Control

#### Models 77DV, 77DW

- Single switch provides three settings for fan sensor (On-Auto-Off) for sensing fan models
- Remaining two switches for light/nightlight
- Ideal for use with heater/fan/light/nightlight units
- Available in Ivory (V) or White (W)



Precisely control the ventilation in your bathroom or indoor environment to mitigate mold and moisture issues from improper use of exhaust fans. Make Sensaire™ your first choice in smart ventilation.



NEW

### Occupancy Sensor

#### Model MS100W

- Turn fan on/off when motion is sensed or stops
- Set fan/light runtime after motion stops
- Detect motion in rooms up to 900 square feet
- Sense motion up to 35 feet away
- Save energy by operating the fan/light only when motion is detected
- Rated 120V at 60Hz, max total of 1/2 HP, 300W LED/CFL, 600W incandescent



NEW

### Speed Control

#### Model SC100W\*

- Turns any PSC or AC fan into an adjustable-speed fan
- Control sound levels by adjusting fan speed and CFM power
- Adjust fan speed precisely to bathroom ventilation needs to save energy
- Rated 120V at 60Hz, max total of 3 amps/switch
- Replaces obsolete models: 277V, 57V, 57W, 75V, P57W, P57WN



NEW

### 60 Minute Countdown Timer

#### Model CD60W\*

- Set countdown timer to 20, 40 or 60 minutes
- Can also be set to run continuously
- Save energy—countdown timer ensures the fan always turns off
- LED indicates run-time remaining
- Rated 120V at 60Hz, max total of 9 amps/switch
- Replaces obsolete models: 59V, 59W, 61V, 61W, 62W, 63V, 63W, 71V, CFT12WH, P59V, P59W, P59WN, P61WN, VS63WH, VS66WH, VS67WH, VS68WH, VS69WH



NEW

### Delay Off Timer

#### Models DT100W\*

- Use the 'delay' setting under the switch plate to ensure proper bathroom ventilation by keeping the fan running for 5 to 60 minutes after you leave
- Use the 'ventilation' setting to meet code requirements by ventilating the bathroom for a predetermined amount of time every hour
- User adjustable settings can be changed as much as desired until the perfect setting is found
- Designed to meet ASHRAE 62.2 and CalGreen Title 24 codes for continuous ventilation
- Rated 120V at 60Hz, max total of 6 amps/switch
- Replaces obsolete models: 64V, 64W

\* Faceplate not included

WALL CONTROLS



**Broan**

	69W	P2RW	P3RW	77DV, 77DW	82A, 82W	DD500W	MS100W	SC100W	CD60W	DT100W	
<b>Ventilation Fans</b>	670, 671, 688, 689	•				•	•	•	•	•	
	E050, E070	•				•	•	•	•	•	
	LP80, LP110	•				•	•	•	•	•	
	LP50100DC	•				•	•		•	•	
	AE50, A80, A80HD, AE80, AE80B, A110, AE110, AE80K, AE110K	•				•	•	•	•	•	
	AE80S, AE110S	•	•				•	•	•	•	
	AE50110DC	•				•	•		•	•	
	AE50110DCS	•	•				•		•	•	
	QTXE080, QTXE110, QTXE150	•				•	•	•	•	•	
	QTXE110S	•	•				•	•	•	•	
	QTXE110150DC	•				•	•		•	•	
	QTXE110150DCS	•	•				•		•	•	
	RB80, RB110	•				•	•	•	•	•	
	XB50, XB80, XB110	•				•	•	•	•	•	
	XB110H	•	•				•		•	•	
	ZB80, ZB110	•				•	•	•	•	•	
	ZB80M, ZB110M	•	•			•	•		•	•	
	ZB110H	•	•				•		•	•	
<b>Ventilation Fan/Lights</b>	657, 678, 679, 696, 751, HD80L	•	•			•	•	•	•	•	
	750		•	•		•	•	•	•	•	
	744, 744LED, 744L, 744RL	•	•			•	•	•	•	•	
	A50L, A70L, A80L, AE80L, AE80BL, A110L, AE110L, AE80LK, AE110LK	•	•			•	•	•	•	•	
	AE80SL, AE110SL		•	•			•	•	•	•	
	AE50110DCL	•	•			•	•		•	•	
	AE50110DCSL		•	•			•		•	•	
	770RLTK, AR80LWH, AER80LWH, AER110LTK, AER110LBN	•	•			•	•	•	•	•	
	AER110SLW		•	•			•	•	•	•	
	QTXE080FLT, QTXE110FLT, QTXE150FLT		•	•		•	•	•	•	•	
	QTXE110150DCL	•	•			•	•		•	•	
	QTXE110150DCSL		•	•			•		•	•	
	RB80L1, RB110L1	•	•			•	•	•	•	•	
	XB50L1, XB80L1, XB110L1	•	•			•	•	•	•	•	
	XB110HL1		•	•			•		•	•	
	ZB80L1, ZB110L1	•	•			•	•	•	•	•	
	ZB80ML1, ZB110ML1		•	•		•	•		•	•	
	ZB110HL1		•	•			•		•	•	
	<b>Heater/Fan/Lights</b>	765H80LB, 765H110LB		•	•		•	•	•	•*	
		100HL, 100HFL		•	•		•	•	•	•*	
161		•					•		•		
162			•			•	•	•	•	•	
163		•					•		•		
164			•			•	•	•	•		
655			•	•		•	•	•	•*		
656			•				•		•*		
658			•			•	•	•	•*		
659			•	•		•	•	•	•*		
QTX110HL, QTX110HFLT				•	•	•	•	•	•*		

\*The CD60W will work with these heater/fan/lights if the heater is wired to a separate rocker switch



NuTone		69W	P2RW	P3RW	77DV, 77DW	82A, 82W	DD500W	MS100W	SC100W	CD60W	DT100W
<b>Ventilation Fans</b>	695, 696N	•				•	•	•	•	•	•
	EZ80N, LPN80	•				•	•	•	•	•	•
	AEN50, AEN80, AEN80B, AN110, AEN110, AERN80K, AERN110K	•				•	•	•	•	•	•
	QTXEN080, QTXEN110, QTXEN150	•				•	•	•	•	•	•
	RN80, RN110	•				•	•	•	•	•	•
<b>Ventilation Fan/Lights</b>	668RP, 763, 763N, 8664RP, HB80RL	•	•			•	•	•	•	•	•
	8663RP		•	•		•	•	•	•	•	•
	744NT, 744LEDNT, 744RNL	•	•			•	•	•	•	•	•
	AN70L, AN80L, AEN80L, AEN80BL, AN110L, AEN110L, AERN80LK, AERN110LK	•	•			•	•	•	•	•	•
	AERN110DCSL		•	•				•		•	•
	770RNLTK, AERN80LWH, AERN110LTK	•	•			•	•	•	•	•	•
	AERN110SLW		•	•				•	•	•	•
	QTXEN080FLT, QTXEN110FLT, QTXEN150FLT		•	•		•	•	•	•	•	•
	QTNLEDA, QTNLEDB		•	•		•	•	•	•	•	•
	RN80L, RN110L	•	•			•	•	•	•	•	•
	<b>Heater/Fan/Lights</b>	765H80L, 765H110L		•	•		•	•	•	•	•*
765HL, 765HFL			•	•		•	•	•	•	•*	
605RP			•			•	•	•	•	•*	
665RP			•	•		•	•	•	•	•*	
9412D		•						•		•	
9417DN			•			•	•	•	•	•	•
9422P		•						•		•	
9427P			•			•	•	•	•	•	
9093WH, QT9093WH					•						
QTXN110HL, QTXN110HFL			•	•	•	•	•	•	•*		

\*The CD60W will work with these heater/fan/lights if the heater is wired to a separate rocker switch

## DESCRIPTION

- Combination Fan-Forced Heater, Ventilator and Ceiling Light provides comfort, convenience and long-lasting dependability.
- Electronically balanced centrifugal blower wheel forces heat evenly throughout the room.
- Automatic reset thermal protection.
- Expansion-type hanger bars for joists up to 24" o.c.; mounting brackets adjust for up to 3/4" plaster thickness.
- Detachable junction box features three (3) wiring knockouts.
- One-piece diecast grille with pebble-texture bezel in White Enamel finish. 8" diameter glass lens extends only 3" from ceiling.
- Available as energy efficient fluorescent unit - Model 9093FWH. Uses 26 watt Nema Type CFM26W/GX24D/827 fluorescent lamp. Light output equal to 100 watt incandescent (1,800 lumens). Other units use one (1) standard 100 watt bulb Purchase bulbs locally.
- All units include night light feature - One (1) 7 watt bulb (not included).
- Connects to standard 4" round duct.
- Wall switch with separate on/off controls for all four functions is included with each unit. Or, may be used with any standard in-line thermostat to control the heat cycle.
- Refer to NuTone's catalog for a complete line of accessories to effectively adapt this unit to your construction requirements.

## DESIGN FEATURES

**Air Delivery:** 70 CFM.  
**Sound Level:** 3.5 Sones  
**Electrical Rating:** 120 volts, 1717 watts  
**Dimensions:** **Housing:** 13 1/4" diameter x 7 1/2" deep.  
**Grille:** 15 3/8" diameter x 3" extension from ceiling.  
**Reflector:** 7" diameter.  
**Lens:** 8" diameter.

**Material & Finish:** **Housing:** Galvanized steel.  
**Grille:** Die-cast zinc with White Enamel finish.  
**Reflector:** Steel with white enamel finish.  
**Lens:** Glass.

**Motor:** **Ventilator:** Thermally protected.  
**Heater:** Thermally protected.

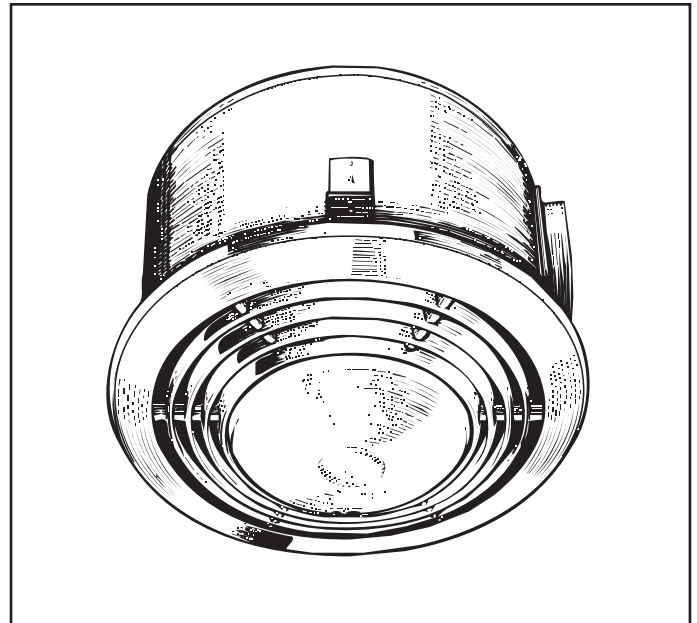
**Impeller:** **Ventilator:** (1) Aluminum  
**Heater:** (1) Aluminum

**Heating Element:** Nickel-chrome, open coil 1500w.

**Duct Size:** 4" round.

# Deluxe Heat-A-Ventlite®

MODEL: 9093 SERIES



## INSTALLATION

- Detailed installation instructions are included with each unit.

## ARCHITECT'S SPECIFICATIONS

Heat-A-Ventlite<sup>fi</sup> shall be Model Number (specify) as manufactured by NuTone according to listed specifications. Specify Model Number:

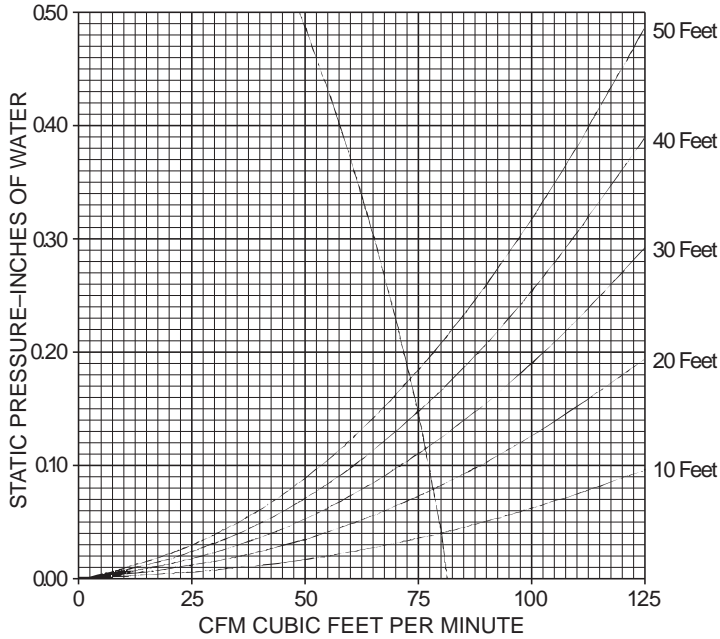
Model Number	Grille Finish
9093CWH	White Enamel

## CERTIFIED TEST DATA



Air delivery and sound level ratings are certified by the Home Ventilating Institute Division of AMCA, based on testing performed by an independent third party testing laboratory, in accordance with HVI standards. This NuTone model is Certified by the Canadian Standards Association (CSA.)

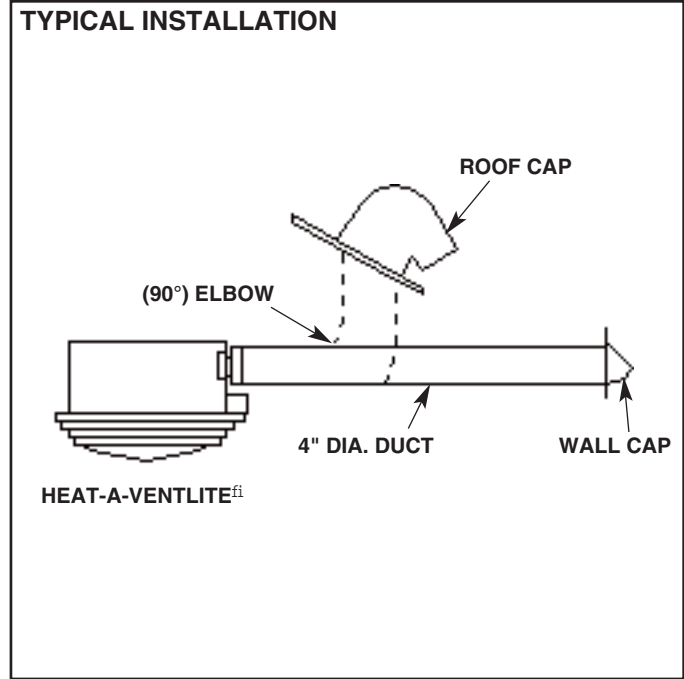
**AIR PERFORMANCE CURVE**  
(4 In. Duct to 10 Foot Lengths)



STATIC PRESSURE INCHES OF WATER	0.05	0.1	0.15	0.2	0.25	0.3	0.35	0.4	0.45	0.5	0.60	0.70	1.10
CFM	80	77	75	72	68	64	62	57	52	48	42	32	0

**The air delivery of a ventilating system may be determined by:**

1. Determine the equivalent duct length for each 90 degree elbow by adding one foot of duct length for each inch of duct diameter, i.e., a 4 inch diameter duct elbow equals 4 feet equivalent duct length and an 8 inch diameter duct elbow equals 8 feet equivalent duct length.
2. Add the total straight length of duct and the equivalent length for each elbow to obtain the total equivalent duct length.
3. Locate the intersection of the fan performance curve and the total equivalent duct length curves and draw a vertical line down to the CFM scale and read the system air performance.  
(NOTE: 3¼" x 10" duct equals 6 inch diameter duct.)



# NuTone®