

**MODEL 8310
SIDE DISCHARGE FAN**

NuTone®

**READ AND SAVE
THESE INSTRUCTIONS**

WARNING

TO REDUCE THE RISK OF FIRE, ELECTRIC SHOCK, OR INJURY TO PERSONS, OBSERVE THE FOLLOWING:

1. Use this unit only in the manner intended by the manufacturer. If you have questions, contact the manufacturer at the address or telephone number listed in the warranty.
2. Before servicing or cleaning unit, switch power off at service panel and lock the service disconnecting means to prevent power from being switched on accidentally. When the service disconnecting means cannot be locked, securely fasten a prominent warning device, such as a tag, to the service panel.
3. Installation work and electrical wiring must be done by a qualified person(s) in accordance with all applicable codes and standards, including fire-rated construction codes and standards.
4. Sufficient air is needed for proper combustion and exhausting of gases through the flue (chimney) of fuel burning equipment to prevent backdrafting. Follow the heating equipment manufacturer's guideline and safety standards such as those published by the National Fire Protection Association (NFPA), and the American Society for Heating, Refrigeration and Air Conditioning Engineers (ASHRAE), and the local code authorities.
5. When cutting or drilling into wall or ceiling, do not damage electrical wiring and other hidden utilities.
6. Ducted fans must always be vented to the outdoors.
7. If this unit is to be installed over a tub or shower, it must be marked as appropriate for the application.
8. Never place a switch where it can be reached from a tub or a shower.
9. This unit must be grounded.

TO REDUCE THE RISK OF A RANGE TOP GREASE FIRE:

1. Never leave surface units unattended at high settings. Boilovers cause smoking and greasy spillovers that may ignite. Heat oils slowly on low or medium settings.
2. Always turn hood ON when cooking at high heat or when cooking flaming foods.
3. Clean ventilating fans frequently. Grease should not be allowed to accumulate on fan or filter.
4. Use proper pan size. Always use cookware appropriate for the size of the surface element.

TO REDUCE THE RISK OF INJURY TO PERSONS IN THE EVENT OF A RANGE TOP GREASE FIRE, OBSERVE THE FOLLOWING:*

1. **SMOTHER FLAMES** with a close-fitting lid, cookie sheet, or metal tray, then turn off the burner. **BE CAREFUL TO PREVENT BURNS.** If the flames do not go out immediately, **EVACUATE AND CALL THE FIRE DEPARTMENT.**
2. **NEVER PICK UP A FLAMING PAN** - You may be burned.
3. **DO NOT USE WATER**, including wet dishcloths or towels - a violent steam explosion will result.
4. Use an extinguisher **ONLY** if:
 - A. You know you have a Class ABC extinguisher and you already know how to operate it.
 - B. The fire is small and contained in the area where it started.
 - C. The fire department is being called.
 - D. You can fight the fire with your back to an exit.

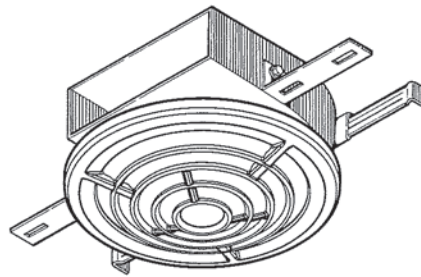
*Based on "Kitchen Firesafety Tips" published by NFPA.

CAUTION

1. For general ventilating use only. Do not use to exhaust hazardous or explosive materials and vapors.
2. To avoid motor bearing damage and noisy and/or unbalanced impellers, keep drywall spray, construction dust, etc. off power unit.
3. Please read specification label on product for further information and requirements.

TOOLS AND MATERIALS REQUIRED

- Straight blade screwdriver
- Hammer
- Pliers
- Electrical wiring and supplies of type to comply with local code
- Nails or wood screws
- 3 1/4" x 10" duct, transitions and elbows, if required
- Duct tape
- Roof or wall cap



8310

TYPICAL INSTALLATIONS

Please see figures 1 through 4 for examples of typical installation.

PREPARE FAN

1. Unplug fan motor. Remove motor assembly by loosening mounting screws and rotating motor (FIG. 5).
2. Use care when handling motor bracket assembly to prevent damage to blade. Do not set down assembly with weight of motor resting on the blade.
3. Remove top or side knock out from fan housing (FIG. 6).
4. Fasten mounting brackets to fan housing. Adjustable brackets will fit between joists or studs up to 24" on center (FIG. 7).

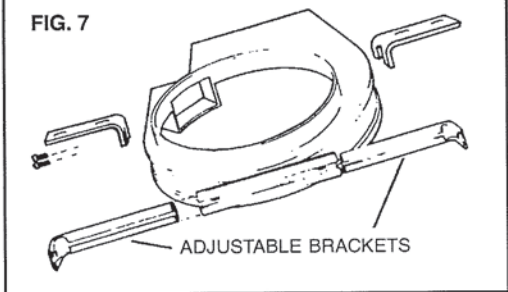
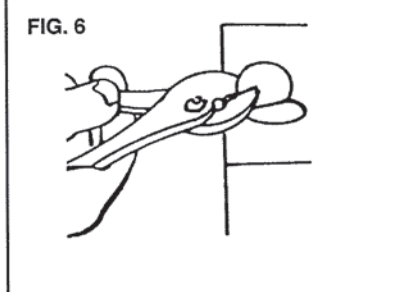
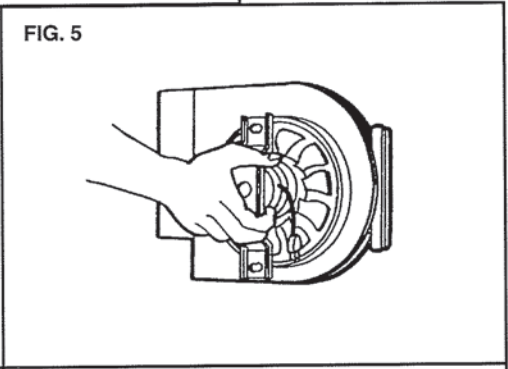
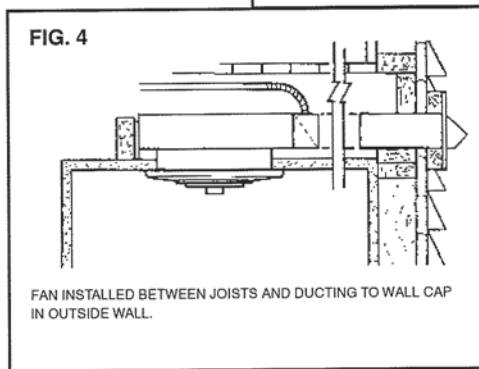
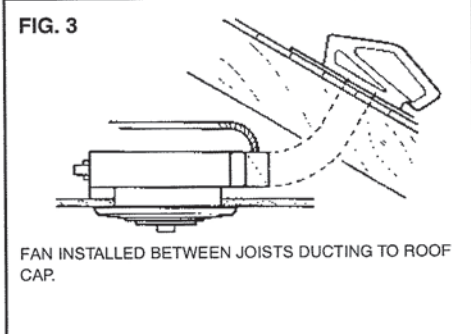
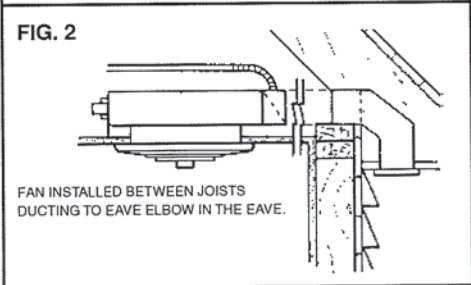
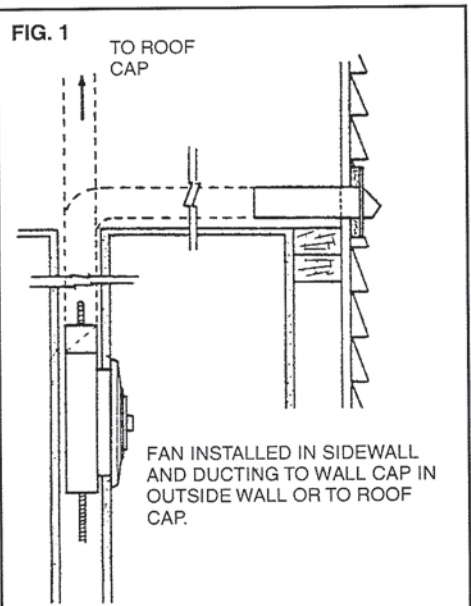
INSTALL FAN

1. Adjust mounting brackets so that plaster ring on housing will be flush with finished wall or ceiling. Nail or screw brackets to joists or studs (FIG. 8)

NOTE

IF FAN IS INSTALLED ABOVE A COOKING SURFACE, GRILLE CENTER MUST BE LOCATED AT LEAST 58" ABOVE FLOOR OR AT LEAST 22" ABOVE HEAT SOURCE.

2. Run wiring to fan and attach wire to housing with proper connector for type of wire used. Make electrical connections as shown in Figure 9.
3. Attach ductwork. Run ductwork to roof or wall cap. See "Typical Installations" (FIGS. 1-4) Make sure that both fan damper and damper inside roof cap open freely (FIG. 10).
4. After finished ceiling is installed, install motor and plug in. Spin blade by hand to make sure that blade does not strike anything in housing (FIG. 11).
5. Install grille with knob and stud provided in plastic bag (FIG. 12).



USE AND CARE

DISCONNECT ELECTRICAL POWER SUPPLY BEFORE SERVICING FAN.

Always unplug the fan motor before servicing the fan. The motor bearings on this fan are permanently lubricated and will never need oiling.

Clean the fan blade and motor every six months by removing the grille, unplugging the motor, and gently vacuuming the fan blade and motor.

Clean the grille in warm, soapy water. Use a mild detergent, such as a dishwashing liquid. DO NOT USE ABRASIVE CLOTHS, STEEL WOOL OR SCOURING POWDERS.

FIG. 8

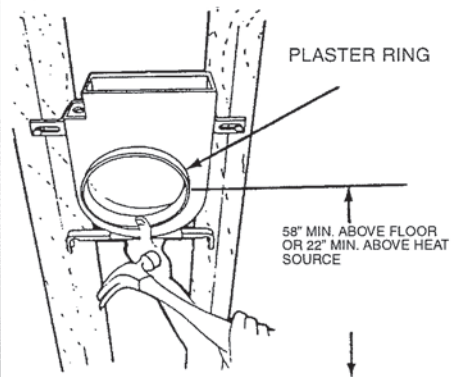


FIG. 9

GROUND (BARE OR GREEN WIRE)

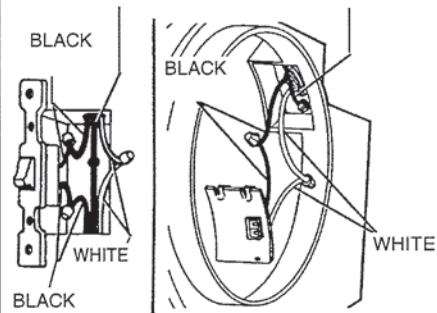


FIG. 10

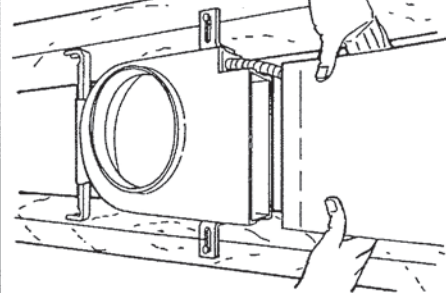


FIG. 11

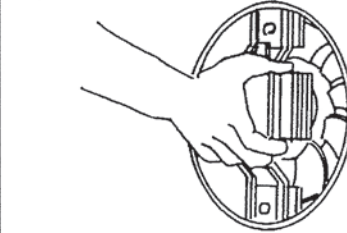
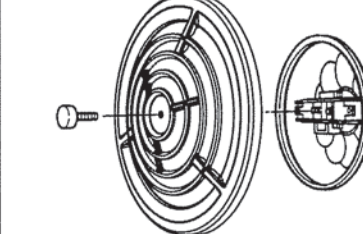
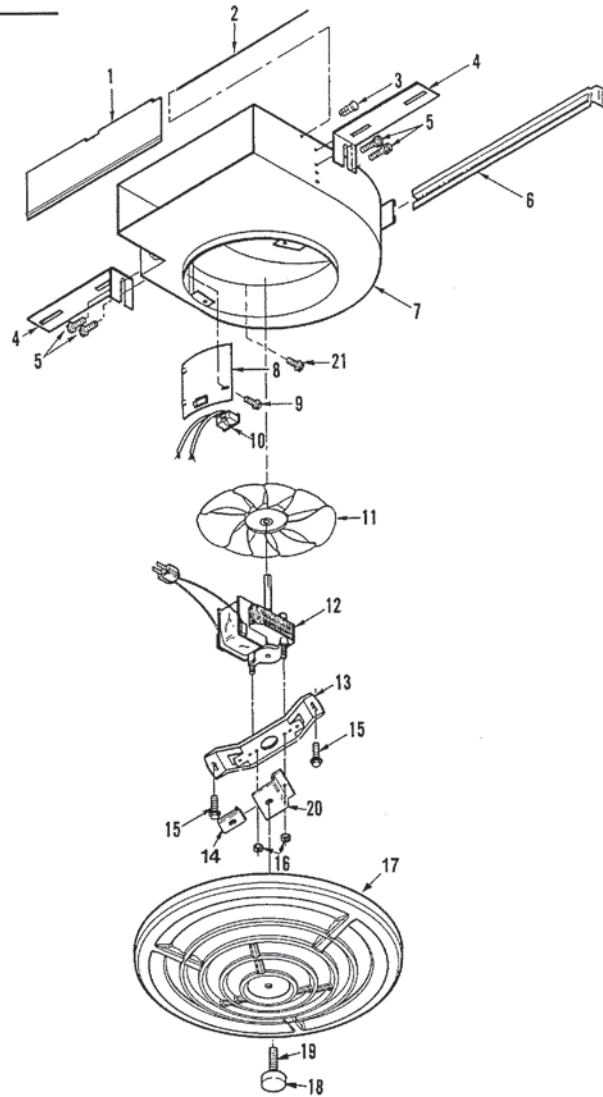


FIG. 12



SERVICE PARTS

MODEL 8310



KEY NO. NUMERO DE CODIGO	8310 PART NO. 8310 NO. PIEZ	DESCRIPTION
1	98005500	Damper Flap
2	98000977	Damper Rod
3	99100379	Damper Rod Bushing
4	98003054	Mounting Bracket - Short (2 Req.)
5	99150417	#8A x 1/4 Hex Head Self Tapping Screws (4 Req.)*
6	98003036	Mounting Bracket-Long (2 Req.)
7	97010378	Housing Assembly
8	98000985	Wiring Box Cover
9	99170245	#8B x 3/8 Hex Head Self Tapping Screws (2 Req.) *
10	99270982	Receptacle
11	99020165	Fan Blade
12	99080355	Motor
13	98007820	Motor Bracket
14	99260434	1/4-20 U-Type Sheet Metal Nut
15	99150479	#8-32 x 1/2 Hex Head Self Tapping Screws (2 Req.)
16	99260428	Motor Nuts (2 Req.)
17	99111332	Grille (Polymeric)
18	97011918	Grille Knob
19	99420655	Grille Stud
20	98007819	Grille Bracket
21	99150471	#10-32 x 1/2 Hex Head Self Tapping Screw*

* Standard Hardware. May be purchased locally.

** Not Illustrated.

Order service parts by "Part No." - NOT by "Key No."

When it comes to quality home ventilations, Broan-NuTone is the brand you can depend on.