

8" Vertical Ceiling Fan

MODEL: 8210 SERIES

IMPORTANT SAFETY INSTRUCTIONS

WARNING: TO REDUCE THE RISK OF FIRE, ELECTRIC SHOCK, OR INJURY TO PERSONS, OBSERVE THE FOLLOWING:

- A. Use this unit only in the manner intended by the manufacturer. If you have questions, contact the manufacturer.
- B. Before servicing or cleaning unit, switch power off at service panel and lock service panel to prevent power from being switched on accidentally. When the service disconnecting means cannot be locked, securely fasten a prominent warning device, such as a tag, to the service panel.

CAUTION:

For general ventilating use only. Do not use to exhaust hazardous or explosive materials and vapors. To reduce risk of injury to persons, install at least 7 feet above floor.

INSTALLATION INSTRUCTIONS

WARNING: TO REDUCE THE RISK OF FIRE, ELECTRIC SHOCK, OR INJURY TO PERSONS, OBSERVE THE FOLLOWING:

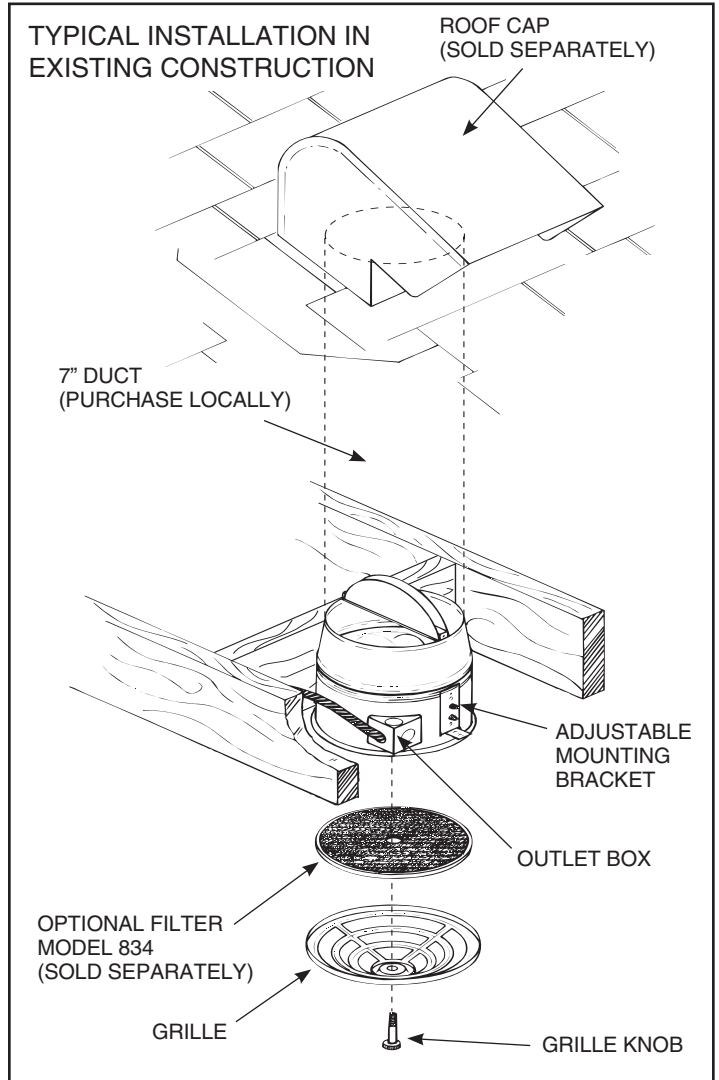
- A. Installation work and electrical wiring must be done by qualified person(s) in accordance with all applicable codes and standards, including fire-rated construction.
- B. Sufficient air is needed for proper combustion and exhausting of gases through the flue (chimney) of fuel burning equipment to prevent back drafting. Follow the heating equipment manufacturer's guideline and safety standards such as those published by the National Fire Protection Association (NFPA), and the American Society for Heating, Refrigeration and Air Conditioning Engineers (ASHRAE), and the local code authorities.
- C. When cutting or drilling into wall or ceiling, do not damage electrical wiring and other hidden utilities.
- D. Ducted fans must always be vented to the outdoors.
- E. If this unit is to be installed over a tub or shower, it must be marked as appropriate for the application.
- F. NEVER place a switch where it can be reached from a tub or shower.

WARNING: TO REDUCE THE RISK OF A RANGE TOP GREASE FIRE

- A. Never leave surface units unattended at high settings. Boilovers cause smoking and greasy spillovers that might ignite. Heat oils slowly on low or medium settings.
- B. Always turn hood ON when cooking at high heat or when flambing food (i.e. Crêpes Suzette, Cherries Jubilee, Peppercorn Beef Flambé).
- C. Clean ventilating fans frequently. Grease should not be allowed to accumulate on fan or filter.
- D. Use proper pan size. Always use cookware appropriate for the size of the surface element.

WARNING: TO REDUCE THE RISK OF INJURY TO PERSONS IN THE EVENT OF A RANGE TOP GREASE FIRE, OBSERVE THE FOLLOWING

- A. SMOTHER FLAMES with a close-fitting lid, cookie sheet, or metal tray, then turn off the burner. BE CAREFUL TO PREVENT BURNS. If the flames do not go out immediately, EVACUATE AND CALL THE FIRE DEPARTMENT.
- B. NEVER PICK UP A FLAMING PAN—You may be burned.
- C. DO NOT USE WATER, including wet dishcloths or towels — a violent steam explosion will result.
- D. Use an extinguisher ONLY if:
 1. You know you have a Class ABC extinguisher, and you already know how to operate it.



2. The fire is small and contained in the area where it started.
3. The fire department is being called.
4. You can fight the fire with your back to an exit.

*Based on "Kitchen Firesafety Tips" published by NFPA.

- Do not mount over tub or in shower stall enclosure.
- Suitable for use with solid-state speed control.
- **CAUTION:** To reduce risk of fire and to properly exhaust air, be certain the unit is ducted to the outside. Do not vent exhaust air into spaces within walls or ceiling or into attics, crawl spaces or garages.

• **WARNING:** Disconnect power before servicing.

INSTALLATION IN EXISTING CONSTRUCTION

PREPARING THE INSTALLATION SITE

IMPORTANT: 18" minimum clearance space above ceiling is required.

1. Cut 8 $\frac{1}{2}$ " diameter opening in ceiling adjacent to ceiling joist. Install header so that housing can be supported on two sides. If opening cannot be located adjacent to joist, install two headers for proper housing support.
2. Disconnect power at circuit breaker. Run house wiring (with ground) from wall switch to fan location. **IMPORTANT:** Be certain all wiring complies with electrical codes and the unit is properly grounded.

MOUNTING THE HOUSING

NOTE: The mounting brackets and hanger bars included with the unit will not be used for installation in existing construction.

1. Remove grille screw, motor bracket assembly and outlet box from the unit.
2. Remove tape from louvers and be certain both damper sections operate freely.
3. Position housing into the cutout. Feed house wiring through the outlet box opening.

NOTE: The housing must be positioned so that the joist or header will not interfere with installation of the outlet box.

4. Using screws or nails, secure the housing to the joist/header(s) through the keyhole slots provided in sides of housing. Be certain plaster flange is against finished ceiling.
5. Connect 7" ductwork.

MAKING THE CONNECTIONS

1. Remove one of the two side knockouts from the outlet box. Install 7/8" box connector (not supplied). Insert house wiring approximately six inches through box connector and tighten screws to secure. Using wire nuts (not supplied) connect house wiring to receptacle in outlet box cover: black to black and white to white. Secure ground (bare wire) under green ground screw in outlet box.
2. Install outlet box in opening in housing and secure with two short screws provided. Feed all wiring into outlet box and secure cover.

INSTALLATION IN NEW CONSTRUCTION

MOUNTING THE HOUSING

1. Remove grille screw and motor bracket assembly from unit.
NOTE: These pieces can be set aside until the finished ceiling is in place.
2. Insert outlet box into housing and secure with two short screws (supplied).
3. Remove appropriate knockout from outlet box and install a box connector.
4. Insert mounting brackets into slots in fan housing.
5. Remove tape from louvers and be certain both damper sections operate freely.
6. Place hanger bars into mounting brackets. Nail hanger bars to joist, adjusting slightly so housing will be held firmly in place. Raise or lower mounting brackets to adjust housing so plaster flange will fit flush to finished ceiling.
7. Connect 7" ductwork.

MAKING THE CONNECTIONS

IMPORTANT: Be certain all wiring complies with electrical codes and the unit is properly grounded. Disconnect power at circuit breaker.

1. Run house wiring (with ground) THROUGH BOX CONNECTOR. Using wire nuts (not supplied) connect house wiring to fan: black to black, white to white. Connect ground wire to green ground screw.
2. Secure junction box cover.

COMPLETING THE INSTALLATION

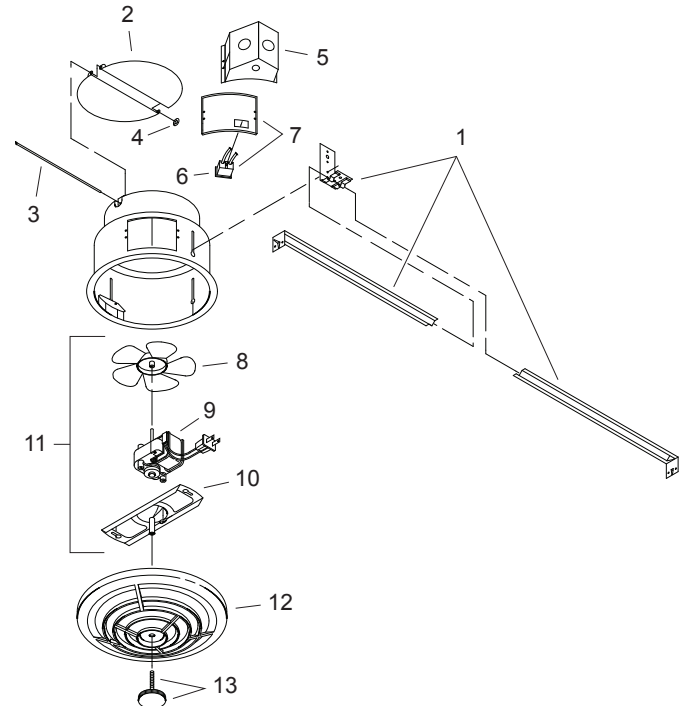
1. Mount Motor/Blade assembly into housing with plug towards receptacle. Hook keyhole slots in motor mounting bracket over two (2) mounting screws. Tighten screws and plug motor into receptacle. Be certain fan blade spins freely.
2. Place grille over unit and secure with supplied thumbscrew.
3. Re-connect power and check for proper operation.
NOTE: An optional washable, permanent filter may be used with this fan. If desired, order NuTone Model 834 separately.

MAINTENANCE

- Grille should be cleaned with a mild soap and water solution.
- If the optional filter is used, it may be removed and cleaned in sudsy water. Rinse thoroughly and allow to dry completely before placing into Ceiling Fan. For best results, clean filter frequently.

SERVICE PARTS

MODEL 8210 SERIES



Key No.	Part No.	Description
1	1024B000	Hanger Bar and Mounting Bracket Kit
2	16754000	Damper Half (2 required)
3	16755000	Hinge Rod
4	16756000	Tinnerman Nut
5	11320000	Outlet Box
6	99270982	Plug Receptacle
7	10247000	Outlet Box Cover Assembly (includes Key No. 6)
8	68293000	Fan Blade
9	34417000	Motor
10	17674000	Motor Bracket Assembly
11	16665000	Power Unit Assembly (includes Key Nos. 8, 9, 10)
12	S99111332	Grille
13	97017716	Grille Knob and Stud Kit