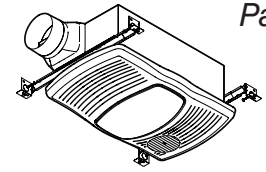


## VENTILATION FAN WITH HEATER & LIGHT



# READ AND SAVE THESE INSTRUCTIONS

### IMPORTANT INSTRUCTIONS

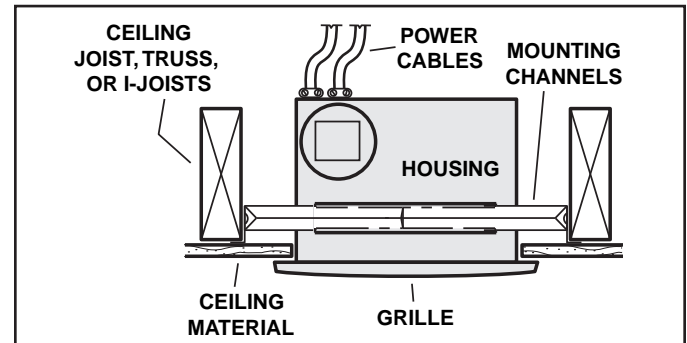
#### READ ALL INSTRUCTIONS BEFORE INSTALLING OR USING THIS HEATER.

To reduce the risk of fire, electric shock, or injury to persons, observe the following:

1. Use this unit only in the manner intended by the manufacturer. If you have questions, contact the manufacturer at the address or telephone number listed in the warranty.
2. Before servicing or cleaning unit, switch power off at service panel and lock the service disconnecting means to prevent power from being switched on accidentally. When the service disconnecting means cannot be locked, securely fasten a prominent warning device, such as a tag, to the service panel.
3. Installation work and electrical wiring must be done by a qualified person(s) in accordance with all applicable codes and standards, including fire-rated construction codes and standards.
4. When cutting or drilling into wall or ceiling, do not damage electrical wiring and other hidden utilities.
5. This heater is hot when in use. To avoid burns, do not let bare skin touch hot surfaces. Keep combustible materials, such as furniture, pillows, bedding, papers, clothes, etc. and curtains at least 3 feet (0.9 m) from the front of the heater.
6. Extreme caution is necessary when any heater is used by or near children or invalids and whenever the heater is left operating and unattended.
7. Do not operate any heater after it malfunctions. Disconnect power at service panel and have heater inspected by a reputable electrician before reusing.
8. Do not use outdoors.
9. To disconnect heater, turn controls to off, and turn off power to heater circuit at main disconnect panel (or operate internal disconnect switch, if provided).
10. Do not insert or allow foreign objects to enter any ventilation or exhaust opening, as this may cause an electric shock or fire, or damage the heater.
11. To prevent a possible fire, do not block air intakes or exhaust in any manner.
12. A heater has hot and arcing or sparking parts inside. Do not use it in areas where gasoline, paint, or flammable vapors or liquids are used or stored.
13. Use this heater only as described in this manual. Any other use not recommended by the manufacturer may cause fire, electric shock, or injury to persons.
14. This product must be grounded.
15. Do not install heater in a tub or shower enclosure.
16. **THIS PRODUCT MUST BE MOUNTED IN A FLAT CEILING ONLY.** Installations in ceilings 9-feet high or less will provide maximum comfort. **DO NOT MOUNT THIS PRODUCT IN A WALL.**
17. Install heater in ceiling only - at least 6 inches from any wall.
18. Do not connect heater to dimmer switch or speed control.
19. Provide a separate 20 AMP circuit. Use 12 GA. power cable of type which meets code. Use supply wiring rated for at least 90°C.
20. For greatest efficiency, install heater so heat is directed toward tub or shower area. Avoid directing toward walls or windows.

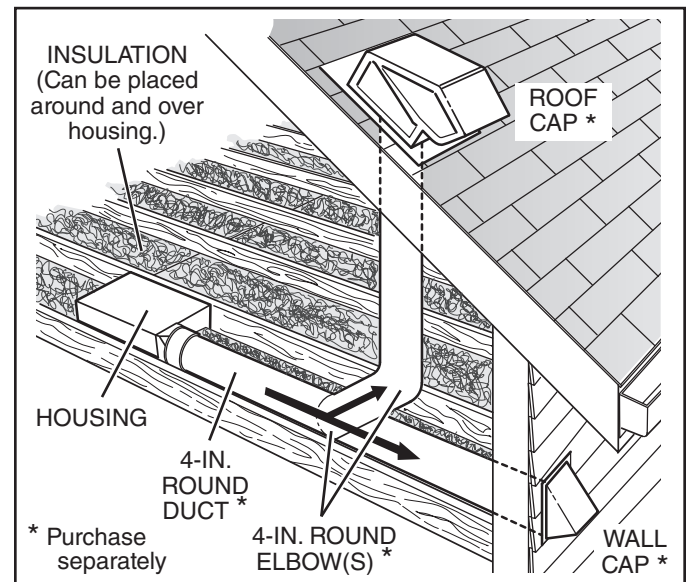
### SAVE THESE INSTRUCTIONS

### TYPICAL INSTALLATION



*Housing mounted to joists, trusses, or I-joists.  
Up to 24-inches on-center.*

### PLAN THE INSTALLATION



The unit will operate most quietly and efficiently when located where the shortest possible duct run and minimum number of elbows will be needed.

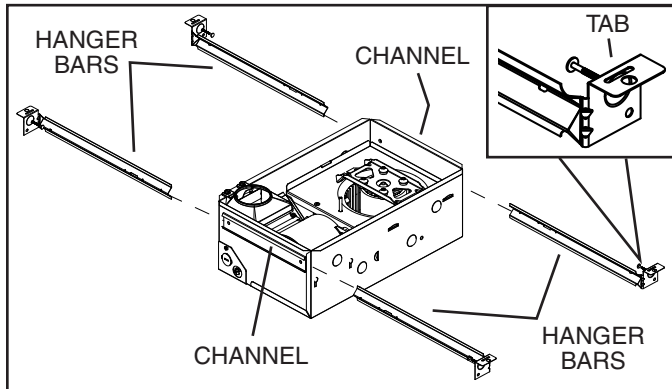
Use a roof cap or wall cap that has a built-in damper to reduce backdrafts.

Plan to supply the unit with proper line voltage and appropriate power cable.

## INSTALLATION

**WARNING:** To reduce the risk of fire, do not store or use gasoline or other flammable vapors and liquids in the vicinity of the heater.

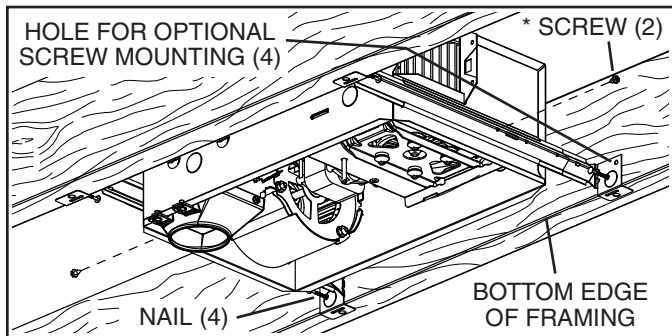
**CAUTION:** High temperature, risk of fire, keep electrical cords, drapery, furnishings, and other combustibles at least 3 feet (0.9 m) from the front of the heater and away from the side and rear.



### 1. Insert hanger bars.

Four (4) sliding **hanger bars** are provided to allow for accurate positioning of housing anywhere between framing. They can be used on all types of framing (I-joint, standard joist, and truss construction) and span up to 24".

Slide hanger bars into **channels** on housing. Make sure hanger bar **tabs** face "up" as shown.



### 2. Mount housing.

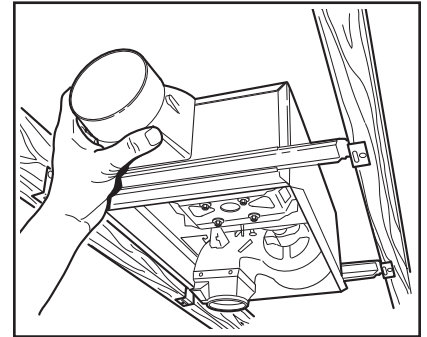
Extend hanger bars to the width of the framing. Hold fan in place with the hanger bar tabs wrapping around the **bottom edge of the framing**.

**Nail** fan to framing or fasten with screws (not provided) through **holes** near nails.

\* To ensure a noise-free mount: Secure hanger bars together with **screws** or use a pliers to crimp mounting channels tightly around hanger bars.

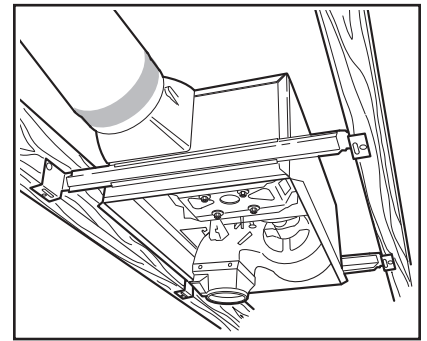
### 3. Attach damper / duct connector to housing.

Snap damper / duct connector onto housing. Make sure connector is flush with top of housing and damper flap falls closed.



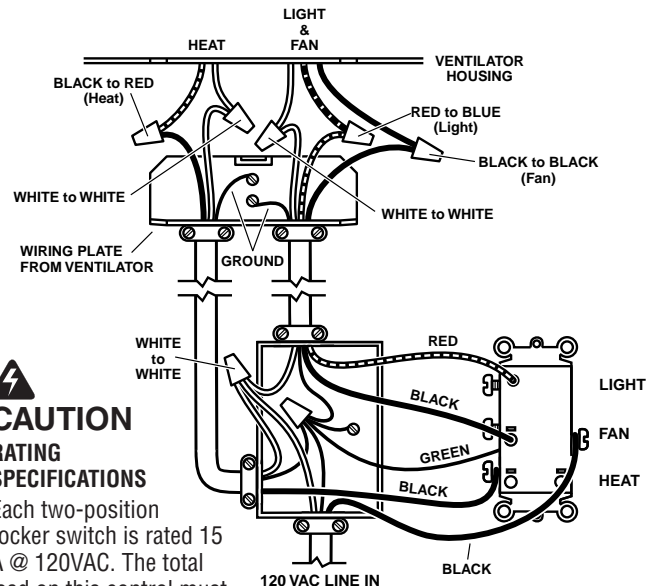
### 4. Install 4-inch round ductwork.

Connect 4-inch round ductwork to damper / duct connector. Run ductwork to a roof cap or wall cap. Tape all ductwork connections to make them secure and air tight.



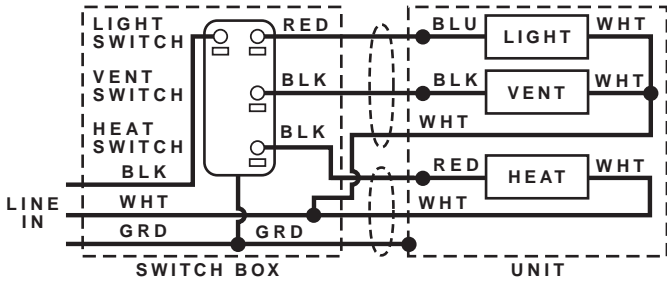
## CONNECT WIRING

Installation work and electrical wiring must be done by a qualified person(s) in accordance with all applicable codes and standards, including fire-rated construction codes and standards.



### CAUTION RATING SPECIFICATIONS

Each two-position rocker switch is rated 15 A @ 120VAC. The total load on this control must not exceed 20 A @ 120VAC.



## 5. Connect electrical wiring.

Run 120 VAC house wiring to installation location. Use proper UL approved connectors to secure house wiring to wiring plate. Connect wires as shown in wiring diagram(s).

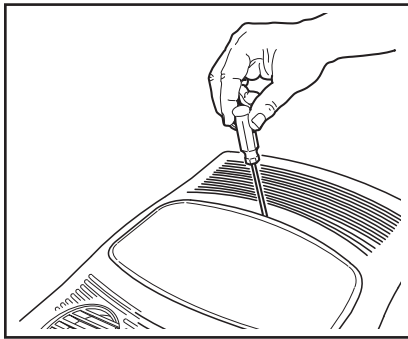
## INSTALL GRILLE & BULB

### 6. Finish ceiling.

Install ceiling material. Cut out ceiling material closely around housing.

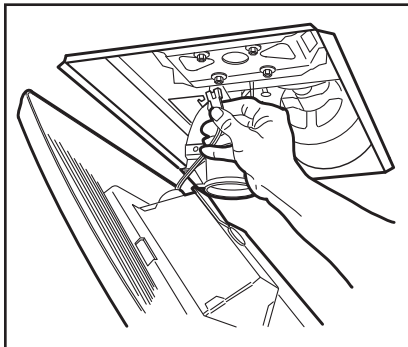
### 7. Remove light lens from grille.

Insert a small flat-bladed screwdriver into the slot at one end of the light lens. Carefully pry the lens out.



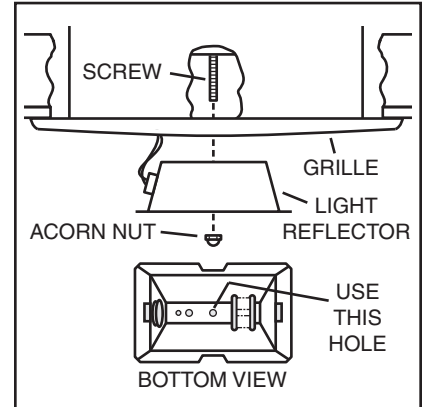
### 8. Plug-in light.

Hold grille assembly up near housing. Connect light plug from grille assembly to receptacle inside of housing.



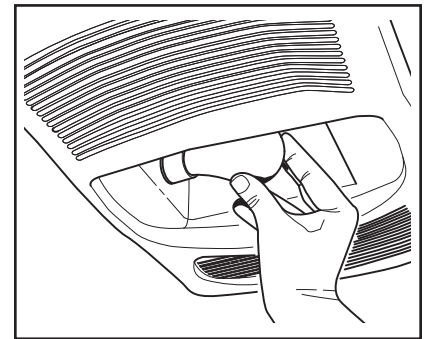
### 9. Attach grille.

Place grille/reflector combination over protruding screw and fasten in place using acorn nut provided. HAND TIGHTEN acorn nut 1/4 turn after it is snug.



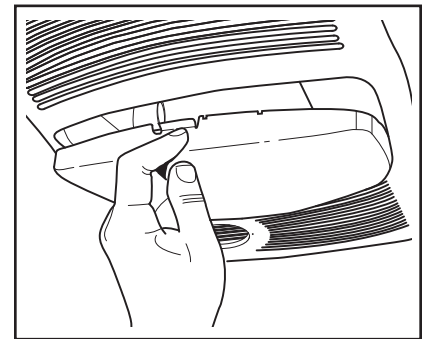
### 10. Install bulb.

The unit accepts a 100-Watt (maximum) E26 base bulb. (Bulb not included.)



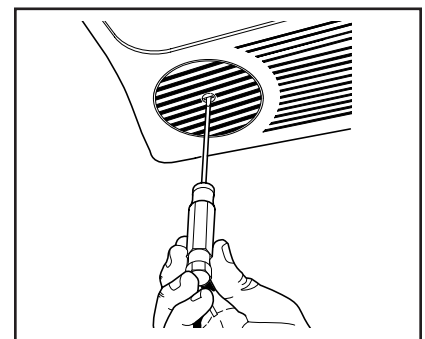
### 11. Attach light lens.

Hook the tabs on one end of the lens into the slot in the grille. Lift other end of lens up and snap into place.



### 12. Rotate heater grille.

Use a flat-bladed screwdriver to rotate the round heater grille to provide heat in the desired direction.



## OPERATION

---

Before using heater, make sure heater has been properly installed according to installation steps beginning with the "TYPICAL INSTALLATION" section on page 1.

Use a 3-Function Control to operate the heater, fan, and light separately. See "Connect Wiring" for details.

## **MAINTENANCE**

---

The following maintenance and cleaning tasks can be performed by the user. All other servicing must be performed by an authorized technician

### **TO REPLACE BULB**

Remove lens by gently depressing sides and pull down. Use a maximum 100-Watt E26 base bulb.

### **LUBRICATION**

The heater is permanently lubricated and never needs oiling or disassembly.

### **CLEANING**

Clean heater once a month as follows:

1. Turn off power at service panel.
2. Make sure heating element is cool.
3. Use a soft brush attachment to gently vacuum grille openings or wipe grille clean with a soft cloth.
4. Restore power.

**CAUTION: METAL AND ELECTRICAL PARTS SHOULD NEVER BE IMMERSSED IN WATER.**