

READ AND SAVE THESE INSTRUCTIONS

WARNING ⚠️ ⚡️

TO REDUCE THE RISK OF FIRE, ELECTRIC SHOCK, OR INJURY TO PERSONS, OBSERVE THE FOLLOWING:

1. Use this unit only in the manner intended by the manufacturer. If you have questions, contact the manufacturer at the address or telephone number listed in the warranty.
2. Before servicing or cleaning unit, switch power off at service panel and lock the service disconnecting means to prevent power from being switched on accidentally. When the service disconnecting means cannot be locked, securely fasten a prominent warning device, such as a tag, to the service panel.
3. Installation work and electrical wiring must be done by a qualified person(s) in accordance with all applicable codes and standards, including fire-rated construction codes and standards.
4. Sufficient air is needed for proper combustion and exhausting of gases through the flue (chimney) of fuel burning equipment to prevent backdrafting. Follow the heating equipment manufacturer's guideline and safety standards such as those published by the National Fire Protection Association (NFPA), and the American Society for Heating, Refrigeration and Air Conditioning Engineers (ASHRAE), and the local code authorities.
5. When cutting or drilling into wall or ceiling, do not damage electrical wiring and other hidden utilities.
6. Ducted fans must always be vented to the outdoors.
7. If this unit is to be installed over a tub or shower, it must be marked as appropriate for the application and be connected to a GFCI (Ground Fault Interrupter) - protected branch circuit.
8. Never place a switch where it can be reached from a tub or shower.
9. Install this unit in a flat ceiling only.
10. For use in non fire rated installations only.
11. Not for use in environmental air handling spaces.
12. **CAUTION - RISK OF FIRE AND PERSONAL INJURY: 75W MAX. LAMP.** Use R30, BR30, PAR30L, or PAR30LN lamps only (75W Max.). For wet locations (tub or shower) - use PAR30L or PAR30LN (75W Max.) lamp only. **Use no other lamp types.** Do not install a lamp identified for use only in enclosed luminaires.
13. Do not install in a ceiling thermally insulated to a value greater than R60.
14. This unit must be grounded.

CAUTION ⚠️

1. For general ventilating use only. Do not use to exhaust hazardous or explosive materials and vapors.
2. To avoid motor bearing damage and noisy and/or unbalanced impellers, use the cardboard protector (provided) to keep drywall spray, construction dust, etc. off power unit.
3. Please read specification label on product for further information and requirements.

OPERATION

The fan and light can be operated using various combinations of on/off switches and timer controls:

- Fan and light controlled with single on/off switch
- Fan and light controlled with separate on/off switches
- Fan controlled with on/off switch - light with dimmer switch
- Fan controlled with timer control

Do not use a speed control to operate the fan in this unit. See "Connect Wiring" section for various wiring options.

CLEANING

To clean trim ring / baffle: Vacuum with a soft brush attachment or remove trim ring / baffle and clean with a soft cloth and mild soap or detergent. Dry thoroughly before reinstalling.

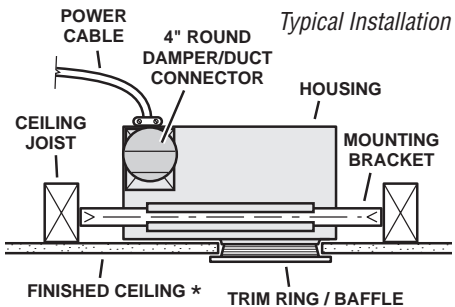
To clean inside of housing: Remove trim ring / baffle and vacuum inside of housing with a soft brush attachment.

MAINTENANCE

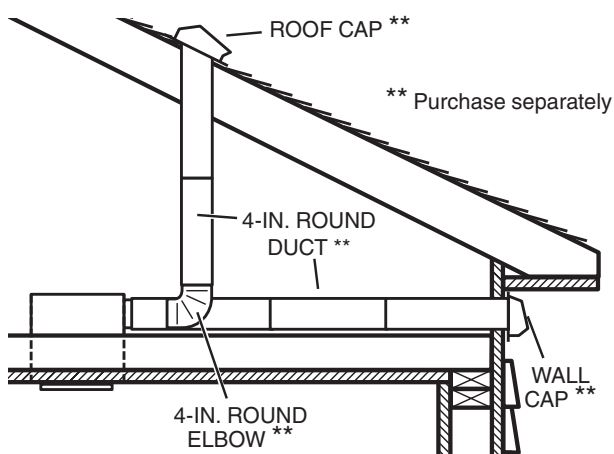
Motor is permanently lubricated. Do not oil or disassemble motor. See "Service Parts" section for a list and illustrations of service parts.

PLAN THE INSTALLATION

The unit can be installed anywhere between ceiling joists using mounting brackets provided.



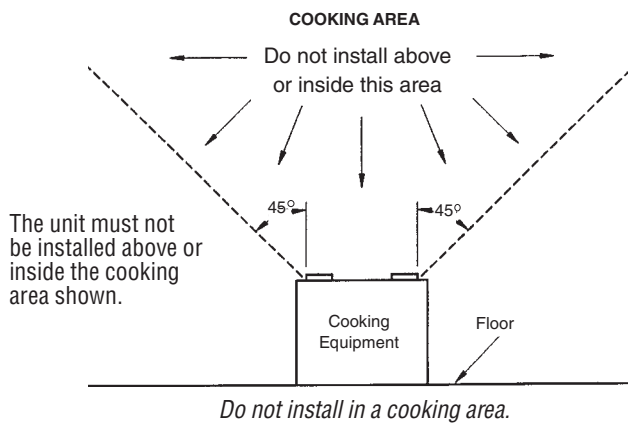
*Install in a flat ceiling only.



Two of the most common ways to connect ductwork to the unit.

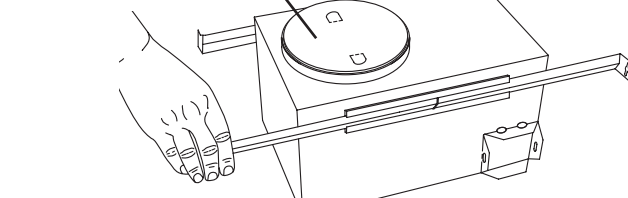
The unit will operate most quietly and efficiently when located where the shortest possible duct run and minimum number of elbows will be needed.

Plan to supply the unit with proper line voltage and appropriate power cable.



INSTALLATION

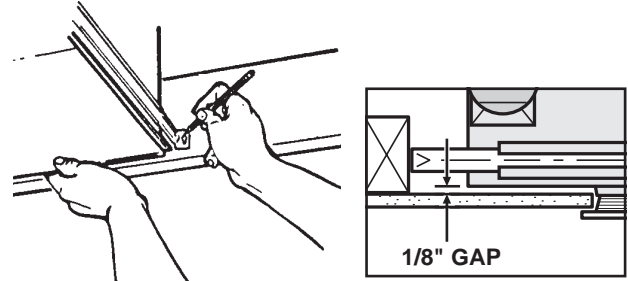
CARDBOARD PROTECTOR



1. Install mounting brackets.

Slide the adjustable mounting brackets into the bracket channels on the housing. Bend the tabs on the cardboard protector and insert protector into opening in housing.

NOTE: The cardboard protector shields the inside of the housing from drywall spray and construction dust. Do not remove it until after construction is completed.

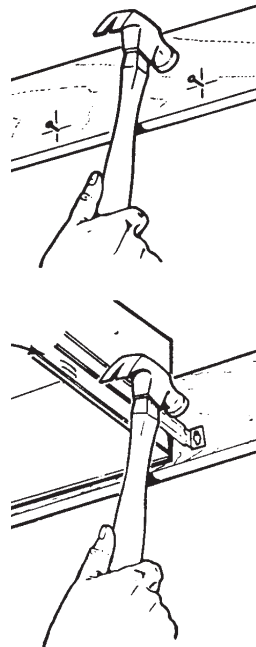


2. Mark mounting location.

Position unit between joists and extend mounting brackets. **IMPORTANT: Position brackets so there will be an 1/8" gap between bottom of housing and ceiling material.** Mark the top of keyhole slot on all four mounting brackets.

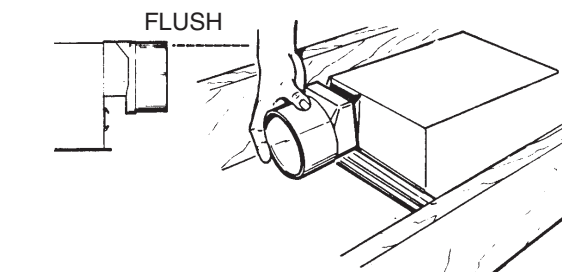
3. Pound in nails.

Remove unit temporarily, and pound nails partially into joists at all four marked locations.



4. Hang and secure housing.

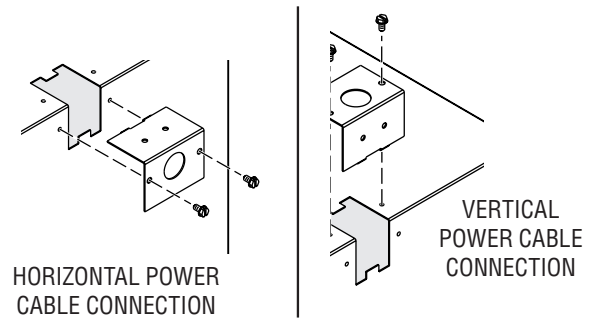
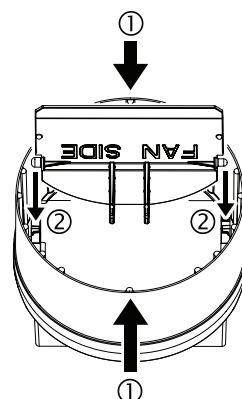
Hang unit from nails. Check to make sure that there will be a 1/8" gap between bottom of housing and ceiling material. Pound nails tight. For wide joist centers: A #8 x 3/8 self-tapping screw can be used to join extended brackets together and create a rigid mount. To ensure a noise-free mount, crimp the bracket channels tightly around mounting brackets.



5. Attach damper/duct connector.

Snap the damper/duct connector onto housing. Make sure that tabs on the connector lock in housing slots. (Top of damper/duct connector will be flush with top of housing.) Install ductwork.

NOTE: Make sure damper flap is in place inside of duct connector. If it is not: ① Squeeze top and bottom of connector to ② snap flap back into place.

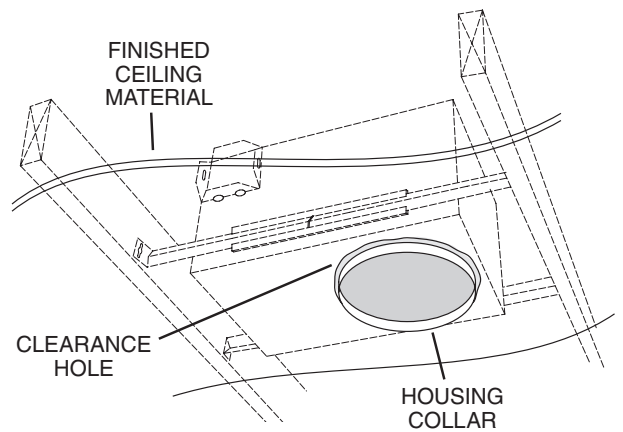
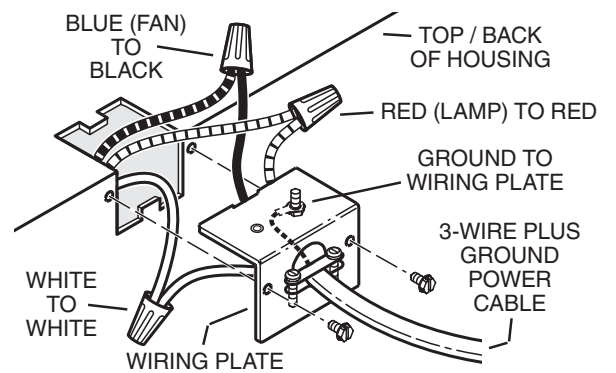
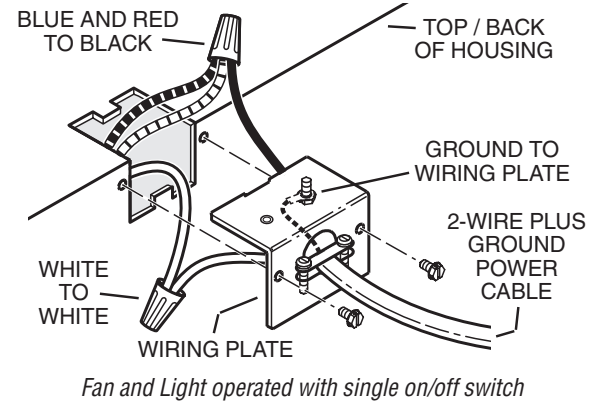


6. Choose power cable direction.

Remove wiring plate. When re-attached, the wiring plate allows the power cable to enter unit horizontally or vertically.

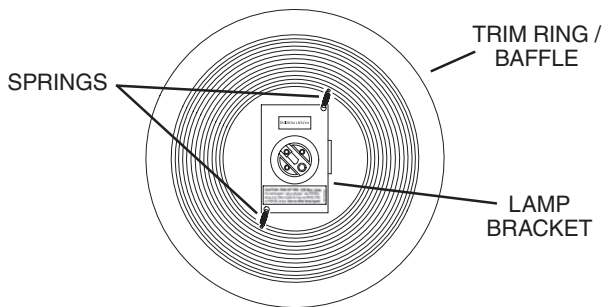
7. Connect wiring.

Unit can be wired from outside of housing as shown. Use UL approved connectors to wire per local codes.



8. Finish ceiling.

Cut an opening in finished ceiling material for housing collar.



9. Attach trim ring / baffle to housing.

Remove the cardboard protector from inside the housing collar. Insert one end of each spring into the holes on the lamp bracket. Center trim ring / baffle in ceiling opening.

10. Install bulb.

CAUTION - RISK OF FIRE: 75W MAX. LAMP

Use R30, BR30, PAR30L, or PAR30LN lamps only (75W Max.). For wet locations (tub or shower) - use PAR30L or PAR30LN (75W Max.) lamp only. **Use no other lamp types.** Do not install a lamp identified for use only in enclosed luminaires.

