

The control your fan needs to ventilate smarter.

The perfect control switch is a beautiful finishing touch, and our attractive options provide the speed, sensing and control needed for any spot ventilation solution. Sleek styles in bright white complement all designs and color palettes. All you need is the faceplate to match your décor. Installation is simple, and the results will help you breathe easy.



Single-Function Control

Model 69W

- Single Function
- Ideal for use with fan only models
- 120V, 15 amps
- Available in White



Humidity Sensing Controls

Sensaire™ Humidity Sensing Switch

Models 82A*, 82W*

- Turn any ventilation fan into a humidity-sensing solution
- Up to 4X faster humidity sensing than the competition
- Helps reduce mold and mildew to improve indoor air quality
- Three easy-to-program modes: Auto Sense Mode, Duty Cycle Mode & RH% Humidistat mode
- Rated 120V at 60Hz, max total of 9 amps/switch
- Available in Ivory (I) or White (W)

Digital Dehumidistat Model DD500W*

- Turn any ventilation fan into a humidity-sensing solution
- Reduce mold and mildew to improve indoor air quality
- Precision control enables desired humidity level to start the fan
- LED indicates fan on/off status
- Rated 120V at 60Hz, max total of 9 amps/switch
- Replaces obsolete model DH100W



NEW

Two-Function Control

Model P2RW*

- Two rocker switches control any two functions: fan, light, heater or nightlight
- Save space, conveniently fitting in a single gang box
- Simple installation saves time and money
- Rated 120V at 60Hz, max total of 15 amps/switch
- Replaces obsolete models: 269VL, 269WL, 68V, 68W, P68W, P68WN



NEW

Three-Function Control

Model P3RW*

- Control multiple applications from a single, central location
- Control any exhaust fan, fan/light or heater/fan/light
- Save space, conveniently fitting in a single gang box
- Simple installation saves time and money
- Rated 120V at 60Hz, max total of 15 amps/switch
- Replaces obsolete models: 66V, 66W, P66V, P66W, P66WN



Four-Function Control

Models 77DV, 77DW

- Single switch provides three settings for fan sensor (On-Auto-Off) for sensing fan models
- Remaining two switches for light/nightlight
- Ideal for use with heater/fan/light/nightlight units
- Available in Ivory (V) or White (W)



Precisely control the ventilation in your bathroom or indoor environment to mitigate mold and moisture issues from improper use of exhaust fans. Make Sensaire™ your first choice in smart ventilation.



NEW

Occupancy Sensor

Model MS100W

- Turn fan on/off when motion is sensed or stops
- Set fan/light runtime after motion stops
- Detect motion in rooms up to 900 square feet
- Sense motion up to 35 feet away
- Save energy by operating the fan/light only when motion is detected
- Rated 120V at 60Hz, max total of 1/2 HP, 300W LED/CFL, 600W incandescent



NEW

Speed Control

Model SC100W*

- Turns any PSC or AC fan into an adjustable-speed fan
- Control sound levels by adjusting fan speed and CFM power
- Adjust fan speed precisely to bathroom ventilation needs to save energy
- Rated 120V at 60Hz, max total of 3 amps/switch
- Replaces obsolete models: 277V, 57V, 57W, 75V, P57W, P57WN



NEW

60 Minute Countdown Timer

Model CD60W*

- Set countdown timer to 20, 40 or 60 minutes
- Can also be set to run continuously
- Save energy—countdown timer ensures the fan always turns off
- LED indicates run-time remaining
- Rated 120V at 60Hz, max total of 9 amps/switch
- Replaces obsolete models: 59V, 59W, 61V, 61W, 62W, 63V, 63W, 71V, CFT12WH, P59V, P59W, P59WN, P61WN, VS63WH, VS66WH, VS67WH, VS68WH, VS69WH



NEW

Delay Off Timer

Models DT100W*

- Use the 'delay' setting under the switch plate to ensure proper bathroom ventilation by keeping the fan running for 5 to 60 minutes after you leave
- Use the 'ventilation' setting to meet code requirements by ventilating the bathroom for a predetermined amount of time every hour
- User adjustable settings can be changed as much as desired until the perfect setting is found
- Designed to meet ASHRAE 62.2 and CalGreen Title 24 codes for continuous ventilation
- Rated 120V at 60Hz, max total of 6 amps/switch
- Replaces obsolete models: 64V, 64W

* Faceplate not included



Broan

	69W	P2RW	P3RW	77DV, 77DW	82A, 82W	DD500W	MS100W	SC100W	CD60W	DT100W	
Ventilation Fans	670, 671, 688, 689	•				•	•	•	•	•	
	E050, E070	•				•	•	•	•	•	
	LP80, LP110	•				•	•	•	•	•	
	LP50100DC	•				•	•		•	•	
	AE50, A80, A80HD, AE80, AE80B, A110, AE110, AE80K, AE110K	•				•	•	•	•	•	
	AE80S, AE110S	•	•				•	•	•	•	
	AE50110DC	•				•	•		•	•	
	AE50110DCS	•	•				•		•	•	
	QTXE080, QTXE110, QTXE150	•				•	•	•	•	•	
	QTXE110S	•	•				•	•	•	•	
	QTXE110150DC	•				•	•		•	•	
	QTXE110150DCS	•	•				•		•	•	
	RB80, RB110	•				•	•	•	•	•	
	XB50, XB80, XB110	•				•	•	•	•	•	
	XB110H	•	•				•		•	•	
	ZB80, ZB110	•				•	•	•	•	•	
	ZB80M, ZB110M	•	•			•	•		•	•	
	ZB110H	•	•				•		•	•	
Ventilation Fan/Lights	657, 678, 679, 696, 751, HD80L	•	•			•	•	•	•	•	
	750		•	•		•	•	•	•	•	
	744, 744LED, 744L, 744RL	•	•			•	•	•	•	•	
	A50L, A70L, A80L, AE80L, AE80BL, A110L, AE110L, AE80LK, AE110LK	•	•			•	•	•	•	•	
	AE80SL, AE110SL		•	•			•	•	•	•	
	AE50110DCL	•	•			•	•		•	•	
	AE50110DCSL		•	•			•		•	•	
	770RLTK, AR80LWH, AER80LWH, AER110LTK, AER110LBN	•	•			•	•	•	•	•	
	AER110SLW		•	•			•	•	•	•	
	QTXE080FLT, QTXE110FLT, QTXE150FLT		•	•		•	•	•	•	•	
	QTXE110150DCL	•	•			•	•		•	•	
	QTXE110150DCSL		•	•			•		•	•	
	RB80L1, RB110L1	•	•			•	•	•	•	•	
	XB50L1, XB80L1, XB110L1	•	•			•	•	•	•	•	
	XB110HL1		•	•			•		•	•	
	ZB80L1, ZB110L1	•	•			•	•	•	•	•	
	ZB80ML1, ZB110ML1		•	•		•	•		•	•	
	ZB110HL1		•	•			•		•	•	
	Heater/Fan/Lights	765H80LB, 765H110LB		•	•		•	•	•	•*	
		100HL, 100HFL		•	•		•	•	•	•*	
161		•					•		•		
162			•			•	•	•	•	•	
163		•					•		•		
164			•			•	•	•	•		
655			•	•		•	•	•	•*		
656			•				•		•*		
658			•			•	•	•	•*		
659			•	•		•	•	•	•*		
QTX110HL, QTX110HFLT				•	•	•	•	•	•*		

*The CD60W will work with these heater/fan/lights if the heater is wired to a separate rocker switch



NuTone		69W	P2RW	P3RW	77DV, 77DW	82A, 82W	DD500W	MS100W	SC100W	CD60W	DT100W
Ventilation Fans	695, 696N	•				•	•	•	•	•	•
	EZ80N, LPN80	•				•	•	•	•	•	•
	AEN50, AEN80, AEN80B, AN110, AEN110, AERN80K, AERN110K	•				•	•	•	•	•	•
	QTXEN080, QTXEN110, QTXEN150	•				•	•	•	•	•	•
	RN80, RN110	•				•	•	•	•	•	•
Ventilation Fan/Lights	668RP, 763, 763N, 8664RP, HB80RL	•	•			•	•	•	•	•	•
	8663RP		•	•		•	•	•	•	•	•
	744NT, 744LEDNT, 744RNL	•	•			•	•	•	•	•	•
	AN70L, AN80L, AEN80L, AEN80BL, AN110L, AEN110L, AERN80LK, AERN110LK	•	•			•	•	•	•	•	•
	AERN110DCSL		•	•				•		•	•
	770RNLTK, AERN80LWH, AERN110LTK	•	•			•	•	•	•	•	•
	AERN110SLW		•	•				•	•	•	•
	QTXEN080FLT, QTXEN110FLT, QTXEN150FLT		•	•		•	•	•	•	•	•
	QTNLEDA, QTNLEDB		•	•		•	•	•	•	•	•
	RN80L, RN110L	•	•			•	•	•	•	•	•
	Heater/Fan/Lights	765H80L, 765H110L		•	•		•	•	•	•	•*
765HL, 765HFL			•	•		•	•	•	•	•*	
605RP			•			•	•	•	•	•*	
665RP			•	•		•	•	•	•	•*	
9412D		•						•		•	
9417DN			•			•	•	•	•	•	•
9422P		•						•		•	
9427P			•			•	•	•	•	•	
9093WH, QT9093WH					•						
QTXN110HL, QTXN110HFL			•	•	•	•	•	•	•*		

*The CD60W will work with these heater/fan/lights if the heater is wired to a separate rocker switch

Ceiling/Wall Blower

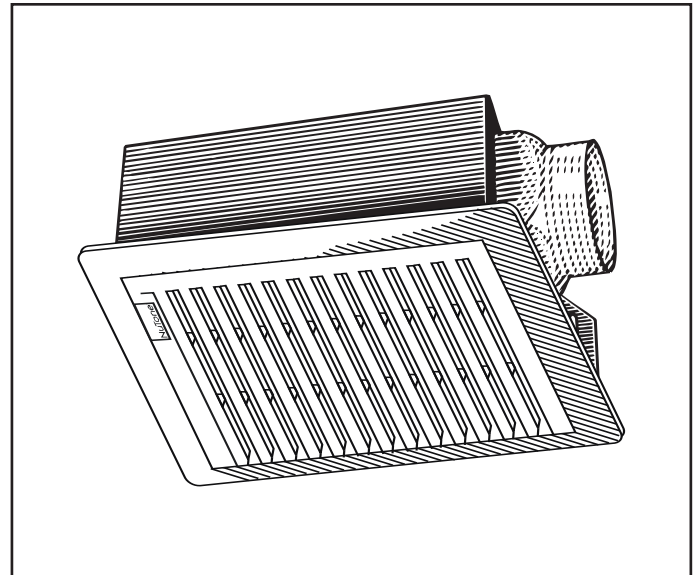
MODELS: 696N

DESCRIPTION

- For baths up to 45 sq. ft., other rooms up to 60 sq. ft.
- Installs in ceiling or 2" x 4" wall studs.
- Mounts on either 16" or 24" O.C. joist or stud.
- Discharge is through 3" round duct through roof or wall.
- Sturdy mounting brackets of double metal thickness slotted on housing for vertical mounting adjustments.
- Extra large outlet box area.
- Efficient impeller blower wheel.
- Attractive white polymeric grille with torsion springs to adjust for thickness variances in ceiling or wall.
- Polypropylene weather damper.
- Refer to NuTone's catalog for a complete listing of accessories to effectively adapt this Bathroom Fan to your construction requirements.

DESIGN FEATURES

- Air Delivery:** 50 CFM at 0.10" S.P.
Sound Level: 4.0 Sones.
Dimensions: **Housing:** 7½" long x 7¼" wide x 3⅝" high.
Grille: 9⅛" long x 8¾" wide x ½" thick.
- Material & Finish:** **Housing:** Galvanized steel.
Grille: Engineered Resin.
- Motor:** Shaded pole, thermally protected, 120vAC, 60 Hz, .9 amp.
- Blower Wheel:** One-piece polypropylene.
Duct Size: 3" diameter.



ARCHITECT'S SPECIFICATIONS

Exhaust Fan shall be NuTone Model Number 696N as manufactured by NuTone according to listed specifications. Fan shall ventilate 50 CFM at 0.10" S.P. at a sound level of 4.0 Sones. Housing shall be 7½" x 7¼" x 3⅝" and connect to 3" duct.

INSTALLATION

- Snap on plastic duct transition.
- Not for use in kitchens.
- Suitable for use over tub or shower enclosure when installed in a GFI protected branch circuit.
- Not for use with solid-state speed controls.
- Install in ceiling or 2" x 4" wall studs. "A" unit housing installed during rough-in stage of construction. Power unit assembly and grille are installed when ceiling or wall is finished.
- Torsion springs on grille adjust for thickness variances in ceiling or wall.
- Use a standard on-off toggle switch (purchased separately). Installation Instructions are included with each unit.



CERTIFIED TEST DATA

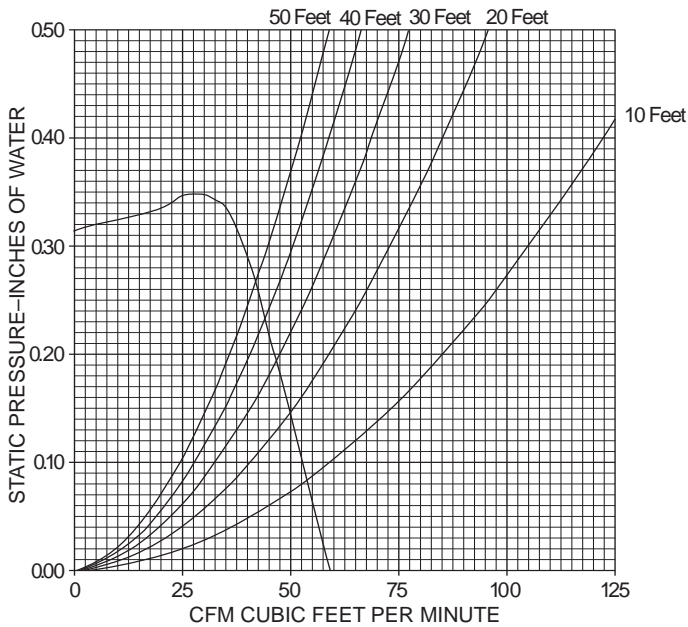
HVI-2100 CERTIFIED RATINGS comply with new testing technologies and procedures prescribed by the Home Ventilating Institute, for off-the-shelf products, as they are available to consumers. Product performance is rated at 0.1 in. static pressure, based on tests conducted in AMCA's state-of-the-art test laboratory. Sones are a measure of humanly-perceived loudness, based on laboratory measurements. This NuTone model is listed by Underwriters' Laboratories Inc.

The air delivery of a ventilating system may be determined by:

1. Determine the equivalent duct length for each 90 degree elbow by adding one foot of duct length for each inch of duct diameter, i.e., a 4 inch diameter duct elbow equals 4 feet equivalent duct length and an 8 inch diameter duct elbow equals 8 feet equivalent duct length.
2. Add the total straight length of duct and the equivalent length for each elbow to obtain the total equivalent duct length.
3. Locate the intersection of the fan performance curve and the total equivalent duct length curves and draw a vertical line down to the CFM scale and read the system air performance.

(NOTE: 3/4" x 10" duct equals 6 inch diameter duct.)

AIR PERFORMANCE CURVE (3 In. Duct to 10 Foot Lengths)



STATIC PRESSURE INCHES OF WATER	0.05	0.1	0.15	0.2	0.25	0.3	0.35
CFM	56	52	49	47	43	39	30

DIMENSIONS

