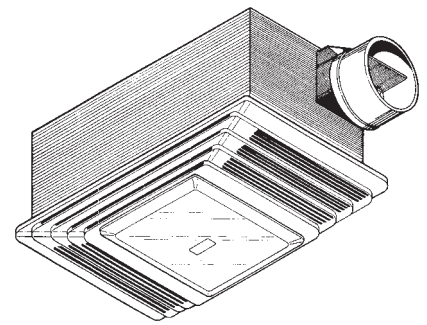


# MODEL 696 COMBINATION UNIT



**Quiet combination unit, built with high performance blower and attractive styling.**

### FEATURES

#### GRILLE:

- White polymeric grille
- Snap-in light diffusing lens for 100W light

#### VENTILATOR:

- Resilient anti-vibration mounts
- Plug-in, permanently lubricated motor
- Low sound, high performance blower wheel

#### HOUSING:

- Adjustable mounting brackets up to 24"
- Polymeric damper/duct connector with 2" long tapered sleeve and no metallic clatter
- Compact 23 gage steel housing finished with powder coat paint

NOTE: For installation in ceilings up to 12/12 pitch

- Suitable for use in insulated ceilings (Type I.C.)
- Use supply wiring rated for at least 90°C.

CONTROLS: Designed by Broan for use with this product (purchase separately)

- Model 57V (Ivory) / 57W (White) Electronic Variable Speed Control
- Model 59V (Ivory) / 59W (White) 60-Minute Time Control
- Model 61V (Ivory) / 61W (White) 15-Minute Time Control
- Model 62V (Ivory) / 62W (White) 15-Minute Time Control with Two-Rocker Switch
- Model 63V (Ivory) / 63W (White) 60-Minute Time Control with Single-Rocker Switch
- Model 64V Fan/Light Delay-Off Control
- Model 68V (Ivory) / 68W (White) Two Function Control

### TYPICAL SPECIFICATION

Combination unit shall be Broan Model 696.

Unit shall have steel housing finished with powder coat paint. Housing shall have adjustable mounting brackets.

Unit must be rated to handle a 100W bulb.

Fan and light shall be separately controllable. Motor shall be permanently lubricated and mounted with resilient anti-vibration mounts. RPM not to exceed number listed.

Air delivery shall be no less and sound levels no greater than listed. All air and sound ratings shall be certified by AMCA and/or HVI. Unit to be U.L. listed. Suitable for use in insulated ceilings. (Type I.C.).



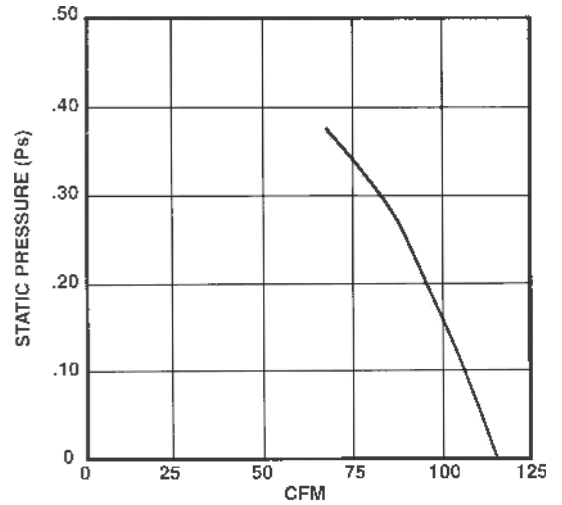
# PERFORMANCE RATINGS - MODEL 696

## HVI PERFORMANCE

MODEL NUMBER	SONES	CFM @0.1" Ps
696	4.5	100



HVI-2100 CERTIFIED RATINGS comply with new testing technologies and procedures prescribed by the Home Ventilating Institute, for off-the-shelf products, as they are available to consumers. Product performance is rated at 0.1 in. static pressure, based on tests conducted in a state-of-the-art test laboratory. Sones are a measure of humanly-perceived loudness, based on laboratory measurements.



## WEIGHT

MODEL NO.	SHIPPING WT.
696	10.7 LBS.

