

Ductless Fan

MODEL: 682NT

IMPORTANT SAFETY INSTRUCTIONS

TO REDUCE THE RISK OF FIRE, ELECTRIC SHOCK, OR INJURY TO PERSONS, OBSERVE THE FOLLOWING:

1. Use this unit only in the manner intended by the manufacturer. If you have questions, contact the manufacturer at the address or telephone number listed in the warranty.
2. Before servicing or cleaning unit, switch power off at service panel and lock the service disconnecting means to prevent power from being switched on accidentally. When the service disconnecting means cannot be locked, securely fasten a prominent warning device, such as a tag, to the service panel.
3. Installation work and electrical wiring must be done by a qualified person(s) in accordance with all applicable codes and standards, including fire-rated construction codes and standards.
4. Sufficient air is needed for proper combustion and exhausting of gases through the flue (chimney) of fuel burning equipment to prevent backdrafting. Follow the heating equipment manufacturer's guidelines and safety standards such as those published by the National Fire Protection Association (NFPA), and the American Society for Heating, Refrigeration and Air Conditioning Engineers (ASHRAE), and the local code authorities.
5. When cutting or drilling into wall or ceiling, do not damage electrical wiring and other hidden utilities.
6. Ducted fans must always be vented to the outdoors.
7. If this unit is to be installed over a tub or shower, it must be marked as appropriate for the application.
8. Never place a switch where it can be reached from a tub or shower.
9. This unit must be grounded.

CAUTION

1. For general ventilating use only. **Do not** use to exhaust hazardous or explosive materials and vapors.
2. To avoid motor bearing damage and noisy and/or unbalanced impellers, keep drywall spray, construction dust, etc., off power unit.
3. Please read specification label on product for further information and requirements.

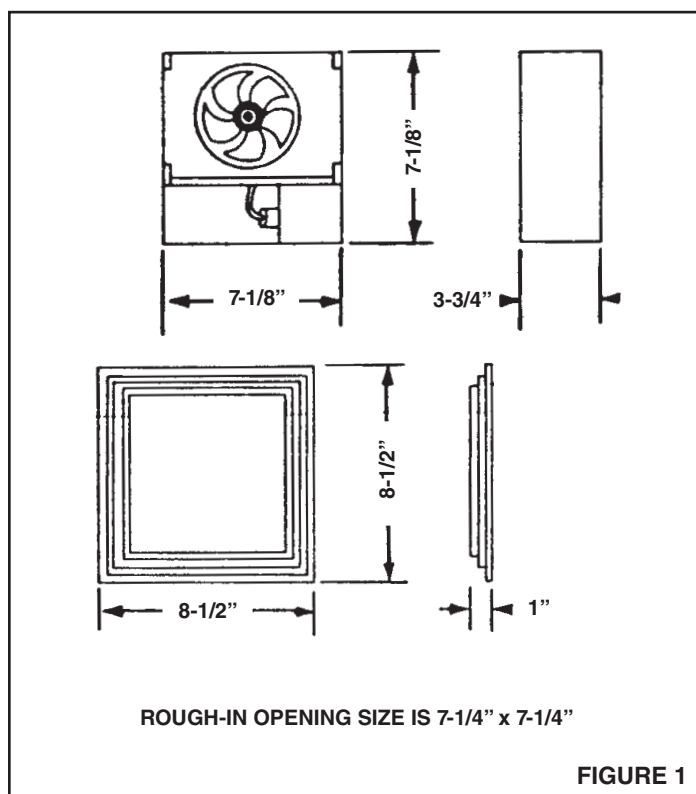
PLAN THE INSTALLATION

Refer to FIGURE 1

Determine where fan will be located and plan to supply fan with proper line voltage and appropriate power cable.

Follow these basic steps when installing this fan:

- Attach mounting bracket to joist or stud.
- Snap fan housing onto bracket.
- Wire fan.
- Attach grille (after ceiling or wall is finished).



INSTALLATION

Refer to FIGURE 2

1. Nail mounting bracket to joist or stud. Use gauge on bracket to locate it for 1/2" or 3/4" drywall.

Refer to FIGURE 3

2. Snap fan housing onto bracket.

Refer to FIGURE 4

3. Remove the knockout plate from fan. Break out either top or rear electrical access hole. Insert a screwdriver into slot in knockout and bend back and forth to break tabs.

NOTE: Turn off power and lock out service panel before installing electrical wiring.

Refer to FIGURE 5

4. Secure power cable to knockout plate with proper connector for type of cable being used. Allow 6" of cable to extend beyond knockout plate. Connect ground wire to green ground screw on knockout plate.

Refer to FIGURE 6

5. Make electrical connections. Wire white to white and black to black.

Refer to FIGURE 7

6. Carefully tuck wiring inside wiring compartment and reattach knockout plate.

Refer to FIGURE 8

7. Attach grille. Squeeze grille springs and insert them into slots in motor plate. Push grille against ceiling. Grille may be papered or painted.

USE AND CARE

CAUTION – DISCONNECT POWER AT SERVICE ENTRANCE AND LOCK OUT PANEL BEFORE CLEANING OR SERVICING UNIT.

Grille

Clean grille with mild soap or detergent and dry with a soft cloth. **Do not** use abrasive cloth, steel wool pads, or scouring powders.

Filter

Charcoal filter is long-lasting. Each filter will last 60 to 90 days when operated continuously, or longer depending on frequency of use. Order replacement charcoal filter from list below.

Fan Assembly

To clean: Remove grille and filter. Gently vacuum impeller, motor and interior of housing.

CAUTION – METAL AND ELECTRICAL PARTS SHOULD NEVER BE IMMERSSED IN WATER.

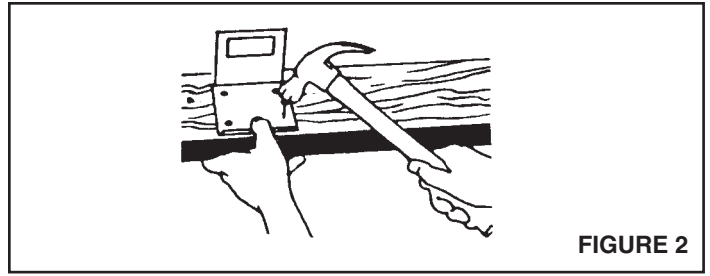


FIGURE 2

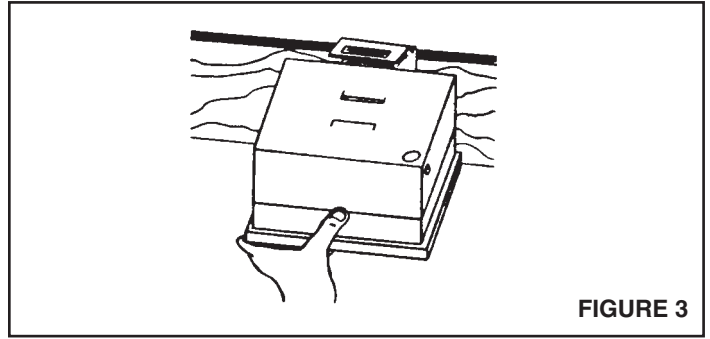


FIGURE 3

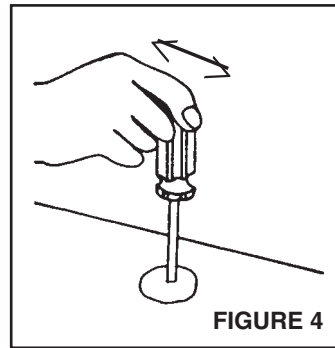


FIGURE 4

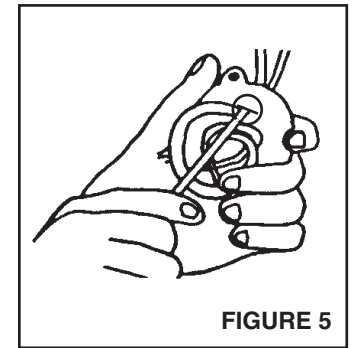


FIGURE 5

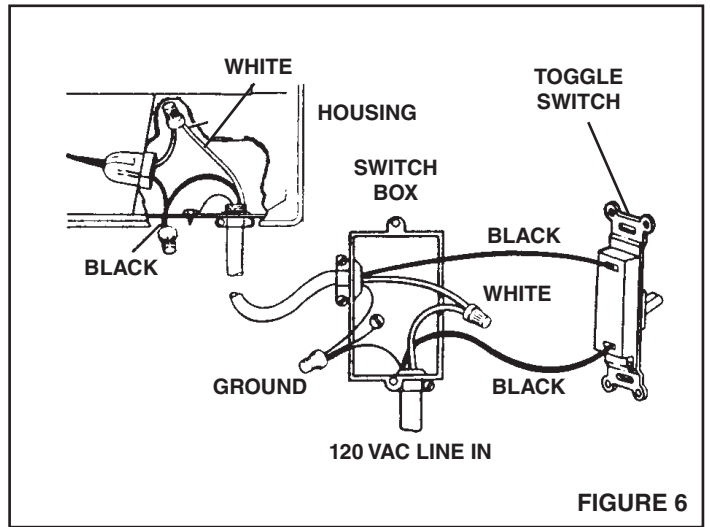


FIGURE 6

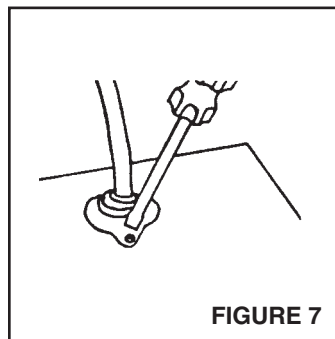


FIGURE 7

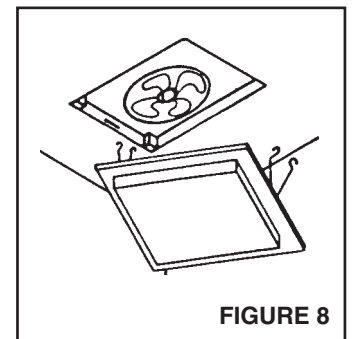


FIGURE 8

PARTS LIST

REF.	PART NUMBER	PART DESCRIPTION
1	98010540	Mounting Bracket
2	98010542	Knockout Plate
3	99270982	Receptacle
4	98010541	Wiring Cover
5	99260578	Keps Nut (2 Req.)
6	98010543	Motor Bracket
7	02200-41	Motor
8	99020187	Fan Blade
9	99150576	Screw, #8 Hex Washer Captive Hd. (3 Req.)
10	99140187	Grille Spring
11	97009648	Grille Assembly (Includes Key Nos. 10 & 11)
12	97009563	Charcoal Filter
13	99150611	Ground Screw

