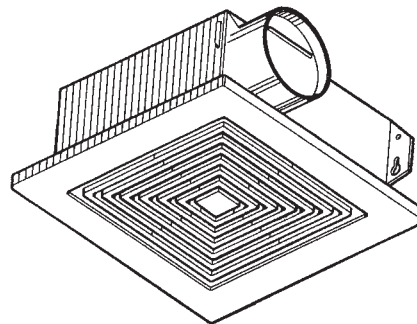


# MODEL 671 CEILING/WALL FANS



Simple installation and dependability make this odor and moisture removing fan a real value.

### FEATURES

#### GRILLE:

- White polymeric - blends well with any decor
- Torsion spring grille mounting - no tools required
- Metal grille kit available - (purchase separately)

#### MOTOR:

- Plug-in, permanently lubricated
- Broan-designed polymeric blower wheel
- Snap in/out motor assembly for easy cleaning - no screws to drive or drop

#### HOUSING:

- Compact, 25 gage galvanized steel - attaches easily to wall or ceiling joists
- Double strength mounting flanges with keyhole slots
- Removable wiring cover - make connections away from tight corners
- No electrical knockout to remove
- Polymeric duct fitting with tapered sleeve for easy, positive duct connection
- Quiet polymeric damper prevents cold backdrafts - no metallic clutter

**Model 1667H:** Rough-in housing for 1671F finish assemblies (packed 6 per carton)

- U.L. listed for tub or shower enclosure with GFCI branch wiring

**CONTROLS:** Designed by Broan for use with this product (purchase separately)

- Model 57V (Ivory)57W (White)
- Electronic Variable Speed Control
- Model 59V/59W 60-Minute Time Control
- Model 61V/61W 15-Minute Time Control

### SPECIFICATIONS

MODEL	VOLTS	AMPS	CFM	SONES	DUCT
671	120	1.15	70	6.0	3" ROUND

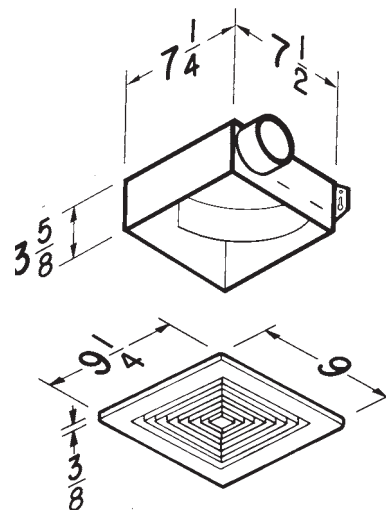
### TYPICAL SPECIFICATION

Ventilator shall be Broan Model 671.

Ventilator shall have galvanized steel housing with double-strength mounting flanges. It shall be ducted vertically (horizontally) to a roof cap (wall cap).

Motor assembly shall be removable and permanently lubricated.

Air delivery shall be no less than 70 CFM and sound levels no greater than 6.0 Sones. All air and sound ratings shall be certified by HVI. Units shall be U.L. listed.



HVI-2100 CERTIFIED RATINGS comply with new testing technologies and procedures prescribed by the Home Ventilating Institute, for off-the-shelf products, as they are available to consumers. Product performance is rated at 0.1 in. static pressure, based on tests conducted in AMCA's state-of-the-art test laboratory. Sones are a measure of humanly-perceived loudness, based on laboratory measurements.

