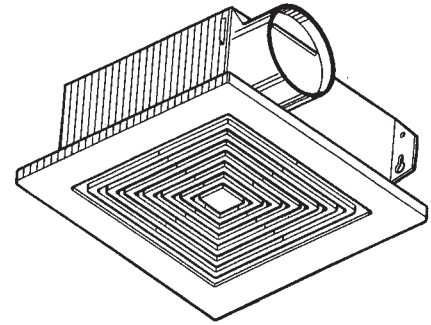


# MODEL 670 CEILING/WALL FANS



**Simple installation and dependability make this odor and moisture removing fan a real value.**

### FEATURES

#### GRILLE:

- White polymeric - blends well with any decor
- Torsion spring grille mounting - no tools required
- Metal grille kit available - (purchase separately)

#### MOTOR:

- Plug-in, permanently lubricated
- Broan-designed polymeric blower wheel
- Snap in/out motor assembly for easy cleaning - no screws to drive or drop

#### HOUSING:

- Compact, 25 gage galvanized steel - attaches easily to wall or ceiling joists
- Double strength mounting flanges with keyhole slots
- Removable wiring cover - make connections away from tight corners
- No electrical knockout to remove
- Polymeric duct fitting with tapered sleeve for easy, positive duct connection
- Quiet polymeric damper prevents cold backdrafts - no metallic clatter

**Model 1667H:** Rough-in housing for 1670F finish assemblies (packed 6 per carton).

- U.L. listed for tub or shower enclosure with GFCI branch wiring

**CONTROLS:** Designed by Broan for use with this product (purchase separately)

- Model 57V (Ivory)/57W(White) electronic variable speed control
- Model 59V (Ivory)/59W(White) 60-Minute Time Control
- Model 61V/61W 15-Minute Time Control

### TYPICAL SPECIFICATION

Ventilator shall be Broan Model 670.

Ventilator shall have galvanized steel housing with double-strength mounting flanges. It shall be ducted vertically (hoirizontally) to a roof cap (wall cap).

Motor assembly shall be removable and permanently lubricated.

Air delivery shall be no less and sound levels no greater than listed. All air and sound ratings shall be certified by AMCA and/or HVI. Units shall be U.L. listed.

"Broan-NuTone LLC certifies that the models shown herein are licensed to bear the AMCA Seal. The ratings shown are based on tests and procedures performed in accordance with AMCA Publication 211 (and AMCA Publication 311 if sound is also certified) and comply with the requirements of the AMCA Certified Ratings Program."



# PERFORMANCE RATINGS - MODEL 670

## AMCA LICENSED PERFORMANCE

Model No.	Sones @ 0.0" S.P.	CFM @ Static Pressure (Ps - Inches of H <sub>2</sub> O)						Total Volts	Watts	Duct RPM	Duct Size
		0.0	0.1	.125	.250	.375	.500				
670	3.4	56	51	50	46	41	32	120	55	1700	3" Round

The performances shown are with inlet grille, backdraft damper and outlet duct. RPM shown is nominal and the performance is based on actual speed of test. The sound ratings shown are loudness values in fan sones at 5' (1.5m) in a hemispherical free field calculated per AMCA Std. 301. Values shown are for installation Type B: free inlet fan sone levels.

## SONES

Model Number	HVI Sones @ 0.1" S.P.**	AMCA Sones @ 0.0" S.P.**
670	3.5	3.4

\*\* There is difference between sone values certified by HVI for residential use and by AMCA for commercial/industrial use. Exact comparison of these values is not possible. This difference is mainly due to procedures used to convert measured sound to perceived sound. ANSI S3.4, used by both HVI and AMCA, specifies a procedure for calculating loudness as perceived by a typical listener under specific conditions. HVI establishes values at a distance of 5 feet from the fan in a "spherical free field"; AMCA establishes values at a distance of 5 feet in a "hemispherical free field". HVI and AMCA have different rules for rounding sone values.

## AMPS

MODEL NUMBER	AMPS*
670	0.8

\*Total Connected Load

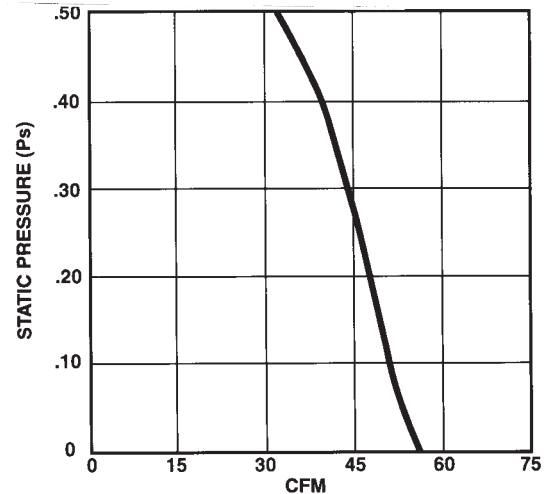


"Broan-NuTone LLC certifies that the models shown herein are licensed to bear the AMCA Seal. The ratings shown are based on tests and procedures performed in accordance with AMCA Publication 211 (and AMCA Publication 311 if sound is also certified) and comply with the requirements of the AMCA Certified Ratings Program."

## HVI PERFORMANCE

MODEL NUMBER	SONES	CFM @ 0.1" Ps
670	3.5	50

HVI-2100 CERTIFIED RATINGS comply with new testing technologies and procedures prescribed by the Home Ventilating Institute, for off-the-shelf products, as they are available to consumers. Product performance is rated at 0.1 in. static pressure, based on tests conducted in AMCA's state-of-the-art test laboratory. Sones are a measure of humanly-perceived loudness, based on laboratory measurements.



## WEIGHT

MODEL NUMBER	SHIPPING WT.
670	4.2 LBS.

