

# The control your fan needs to ventilate smarter.

The perfect control switch is a beautiful finishing touch, and our attractive options provide the speed, sensing and control needed for any spot ventilation solution. Sleek styles in bright white complement all designs and color palettes. All you need is the faceplate to match your décor. Installation is simple, and the results will help you breathe easy.



## Single-Function Control

### Model 69W

- Single Function
- Ideal for use with fan only models
- 120V, 15 amps
- Available in White



## Humidity Sensing Controls

### Sensaire™ Humidity Sensing Switch

#### Models 82A\*, 82W\*

- Turn any ventilation fan into a humidity-sensing solution
- Up to 4X faster humidity sensing than the competition
- Helps reduce mold and mildew to improve indoor air quality
- Three easy-to-program modes: Auto Sense Mode, Duty Cycle Mode & RH% Humidistat mode
- Rated 120V at 60Hz, max total of 9 amps/switch
- Available in Ivory (I) or White (W)

### Digital Dehumidistat Model DD500W\*

- Turn any ventilation fan into a humidity-sensing solution
- Reduce mold and mildew to improve indoor air quality
- Precision control enables desired humidity level to start the fan
- LED indicates fan on/off status
- Rated 120V at 60Hz, max total of 9 amps/switch
- Replaces obsolete model DH100W



NEW

### Two-Function Control

#### Model P2RW\*

- Two rocker switches control any two functions: fan, light, heater or nightlight
- Save space, conveniently fitting in a single gang box
- Simple installation saves time and money
- Rated 120V at 60Hz, max total of 15 amps/switch
- Replaces obsolete models: 269VL, 269WL, 68V, 68W, P68W, P68WN



NEW

### Three-Function Control

#### Model P3RW\*

- Control multiple applications from a single, central location
- Control any exhaust fan, fan/light or heater/fan/light
- Save space, conveniently fitting in a single gang box
- Simple installation saves time and money
- Rated 120V at 60Hz, max total of 15 amps/switch
- Replaces obsolete models: 66V, 66W, P66V, P66W, P66WN



### Four-Function Control

#### Models 77DV, 77DW

- Single switch provides three settings for fan sensor (On-Auto-Off) for sensing fan models
- Remaining two switches for light/nightlight
- Ideal for use with heater/fan/light/nightlight units
- Available in Ivory (V) or White (W)



Precisely control the ventilation in your bathroom or indoor environment to mitigate mold and moisture issues from improper use of exhaust fans. Make Sensaire™ your first choice in smart ventilation.



NEW

### Occupancy Sensor

#### Model MS100W

- Turn fan on/off when motion is sensed or stops
- Set fan/light runtime after motion stops
- Detect motion in rooms up to 900 square feet
- Sense motion up to 35 feet away
- Save energy by operating the fan/light only when motion is detected
- Rated 120V at 60Hz, max total of 1/2 HP, 300W LED/CFL, 600W incandescent



NEW

### Speed Control

#### Model SC100W\*

- Turns any PSC or AC fan into an adjustable-speed fan
- Control sound levels by adjusting fan speed and CFM power
- Adjust fan speed precisely to bathroom ventilation needs to save energy
- Rated 120V at 60Hz, max total of 3 amps/switch
- Replaces obsolete models: 277V, 57V, 57W, 75V, P57W, P57WN



NEW

### 60 Minute Countdown Timer

#### Model CD60W\*

- Set countdown timer to 20, 40 or 60 minutes
- Can also be set to run continuously
- Save energy—countdown timer ensures the fan always turns off
- LED indicates run-time remaining
- Rated 120V at 60Hz, max total of 9 amps/switch
- Replaces obsolete models: 59V, 59W, 61V, 61W, 62W, 63V, 63W, 71V, CFT12WH, P59V, P59W, P59WN, P61WN, VS63WH, VS66WH, VS67WH, VS68WH, VS69WH



NEW

### Delay Off Timer

#### Models DT100W\*

- Use the 'delay' setting under the switch plate to ensure proper bathroom ventilation by keeping the fan running for 5 to 60 minutes after you leave
- Use the 'ventilation' setting to meet code requirements by ventilating the bathroom for a predetermined amount of time every hour
- User adjustable settings can be changed as much as desired until the perfect setting is found
- Designed to meet ASHRAE 62.2 and CalGreen Title 24 codes for continuous ventilation
- Rated 120V at 60Hz, max total of 6 amps/switch
- Replaces obsolete models: 64V, 64W

\* Faceplate not included

WALL CONTROLS



<b>Broan</b>		69W	P2RW	P3RW	77DV, 77DW	82A, 82W	DD500W	MS100W	SC100W	CD60W	DT100W
<b>Ventilation Fans</b>	670, 671, 688, 689	•				•	•	•	•	•	•
	E050, E070	•				•	•	•	•	•	•
	LP80, LP110	•				•	•	•	•	•	•
	LP50100DC	•				•	•	•		•	•
	AE50, A80, A80HD, AE80, AE80B, A110, AE110, AE80K, AE110K	•				•	•	•	•	•	•
	AE80S, AE110S	•	•					•	•	•	•
	AE50110DC	•				•	•	•		•	•
	AE50110DCS	•	•					•		•	•
	QTXE080, QTXE110, QTXE150	•				•	•	•	•	•	•
	QTXE110S	•	•					•	•	•	•
	QTXE110150DC	•				•	•	•		•	•
	QTXE110150DCS	•	•					•		•	•
	RB80, RB110	•				•	•	•	•	•	•
	XB50, XB80, XB110	•				•	•	•		•	•
	XB110H	•	•					•		•	•
	ZB80, ZB110	•				•	•	•		•	•
	ZB80M, ZB110M	•	•			•	•			•	•
	ZB110H	•	•					•		•	•
<b>Ventilation Fan/Lights</b>	657, 678, 679, 696, 751, HD80L	•	•			•	•	•	•	•	•
	750		•	•		•	•	•	•	•	•
	744, 744LED, 744L, 744RL	•	•			•	•	•	•	•	•
	A50L, A70L, A80L, AE80L, AE80BL, A110L, AE110L, AE80LK, AE110LK	•	•			•	•	•	•	•	•
	AE80SL, AE110SL		•	•				•	•	•	•
	AE50110DCL	•	•			•	•	•		•	•
	AE50110DCSL		•	•				•		•	•
	770RLTK, AR80LWH, AER80LWH, AER110LTK, AER110LBN	•	•			•	•	•	•	•	•
	AER110SLW		•	•				•	•	•	•
	QTXE080FLT, QTXE110FLT, QTXE150FLT		•	•		•	•	•	•	•	•
	QTXE110150DCL	•	•			•	•	•		•	•
	QTXE110150DCSL		•	•				•		•	•
	RB80L1, RB110L1	•	•			•	•	•	•	•	•
	XB50L1, XB80L1, XB110L1	•	•			•	•	•		•	•
	XB110HL1		•	•				•		•	•
	ZB80L1, ZB110L1	•	•			•	•	•		•	•
	ZB80ML1, ZB110ML1		•	•		•	•			•	•
	ZB110HL1		•	•				•		•	•
<b>Heater/Fan/Lights</b>	765H80LB, 765H110LB		•	•		•	•	•	•	•*	
	100HL, 100HFL		•	•		•	•	•	•	•*	
	161	•						•		•	
	162		•			•	•	•	•	•	•
	163	•						•		•	
	164		•			•	•	•	•	•	
	655		•	•		•	•	•	•	•*	
	656		•					•		•*	
	658		•			•	•	•	•	•*	
	659		•	•		•	•	•	•	•*	
	QTX110HL, QTX110HFLT			•	•	•	•	•	•	•*	

\*The CD60W will work with these heater/fan/lights if the heater is wired to a separate rocker switch



NuTone		69W	P2RW	P3RW	77DV, 77DW	82A, 82W	DD500W	MS100W	SC100W	CD60W	DT100W
<b>Ventilation Fans</b>	695, 696N	•				•	•	•	•	•	•
	EZ80N, LPN80	•				•	•	•	•	•	•
	AEN50, AEN80, AEN80B, AN110, AEN110, AERN80K, AERN110K	•				•	•	•	•	•	•
	QTXEN080, QTXEN110, QTXEN150	•				•	•	•	•	•	•
	RN80, RN110	•				•	•	•	•	•	•
<b>Ventilation Fan/Lights</b>	668RP, 763, 763N, 8664RP, HB80RL	•	•			•	•	•	•	•	•
	8663RP		•	•		•	•	•	•	•	•
	744NT, 744LEDNT, 744RNL	•	•			•	•	•	•	•	•
	AN70L, AN80L, AEN80L, AEN80BL, AN110L, AEN110L, AERN80LK, AERN110LK	•	•			•	•	•	•	•	•
	AERN110DCSL		•	•				•		•	•
	770RNLTK, AERN80LWH, AERN110LTK	•	•			•	•	•	•	•	•
	AERN110SLW		•	•				•	•	•	•
	QTXEN080FLT, QTXEN110FLT, QTXEN150FLT		•	•		•	•	•	•	•	•
	QTNLEDA, QTNLEDB		•	•		•	•	•	•	•	•
	RN80L, RN110L	•	•			•	•	•	•	•	•
<b>Heater/Fan/Lights</b>	765H80L, 765H110L		•	•		•	•	•	•	•*	
	765HL, 765HFL		•	•		•	•	•	•	•*	
	605RP		•			•	•	•	•	•*	
	665RP		•	•		•	•	•	•	•*	
	9412D	•						•		•	
	9417DN		•			•	•	•	•	•	•
	9422P	•						•		•	
	9427P		•			•	•	•	•	•	
	9093WH, QT9093WH				•						
QTXN110HL, QTXN110HFL			•	•	•	•	•	•	•*		

\*The CD60W will work with these heater/fan/lights if the heater is wired to a separate rocker switch

## DESCRIPTION

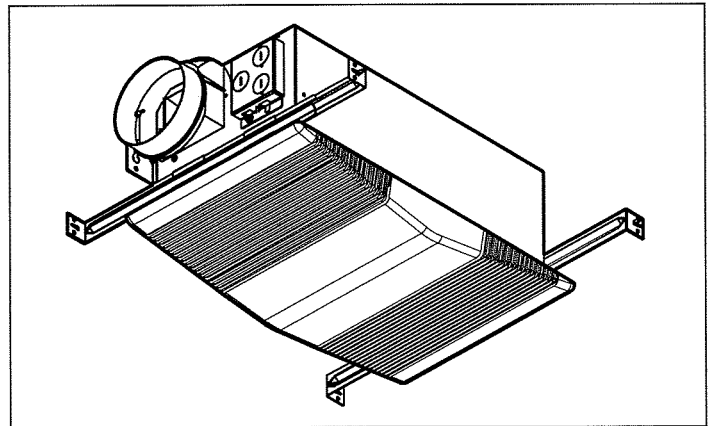
- Two functions in one unit. Use them individually or together.
  - 1) 100W maximum lamp provides bright ceiling light.
  - 2) Efficient, quiet blower exhausts stale air and moisture to refresh the bath atmosphere.
- Streamline design with handsome white grille. Grille is tough engineered resin, impervious to bathroom climate.
- Includes hanger bars, adjustable from 16"-24".
- Built-in junction box with receptacles for simple plug-in of fan motor and light receptacle.
- Unbreakable light lens snaps on and off for easy relamping.
- Quiet polypropylene duct adapter with silent, snap-on backdraft damper. Damper has long, tapering collar for easy attachment of 4" round duct.
- Connects to 120 VAC.
- For your convenience, NuTone offers a complete line of accessories to adapt this unit to your construction requirements.

## DESIGN FEATURES

<b>Air Delivery:</b>	70 cfm.
<b>Sound Level:</b>	4.0 Sones.
<b>Dimensions:</b>	<b>Housing:</b> 14-5/8" x 7-7/8" x 5-5/8". <b>Grille:</b> 9-7/8" x 16-1/4" x 1-3/4".
<b>Lamp:</b>	One 100W maximum A19 (bulb not included)
<b>Material &amp; Component Data:</b>	<b>Housing:</b> Cold rolled steel, galvanized <b>Grille:</b> Engineered resin. <b>Lens:</b> Translucent white polymeric. <b>Reflector:</b> Aluminum. <b>Damper:</b> Polypropylene.
<b>Motor:</b>	Sleeve bearings, thermally protected.
<b>Impeller:</b>	Centrifugal.
<b>Duct Size:</b>	4" diameter.
<b>Electrical Rating:</b>	120 VAC, 60 Hz, 2.0 A

# Ventilation Fan with Light

## MODEL 668RP



## INSTALLATION

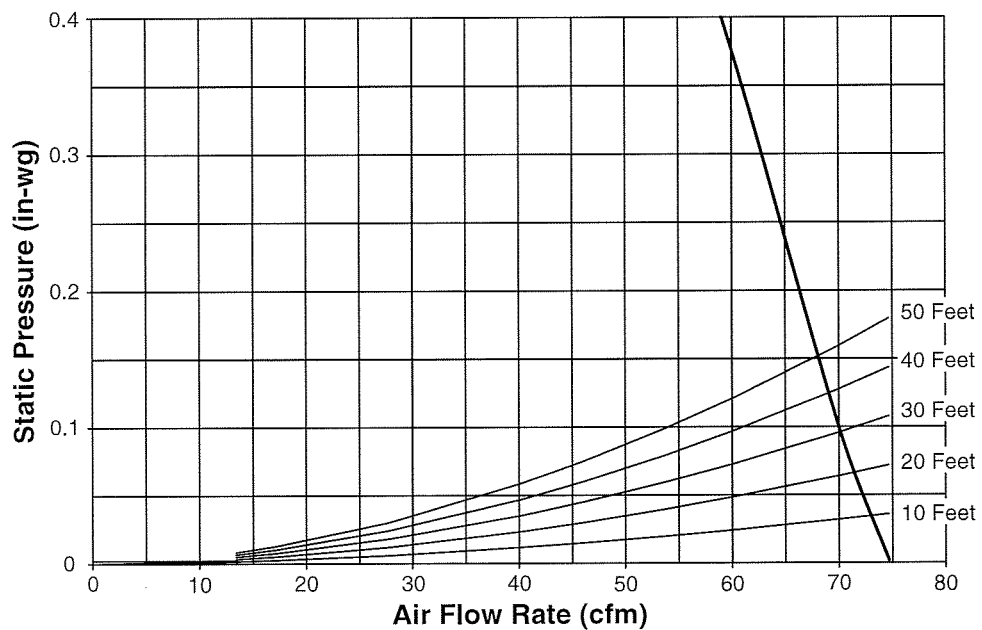
- Adjustable hanger bars attach to 16" or 24" O.C. joists in new construction.
- Built-in junction box accepts plug-in fan motor and light receptacle.
- Duct adapter has built-in damper and long, tapering collar for duct attachment.
- Discharge is horizontal through 4" round duct.
- Each unit includes complete installation instructions for both new and existing construction.
- Suitable for use over a tub or shower enclosure when installed in a GFCI protected branch circuit.
- Type IC suitable for use under thermal insulation.

## ARCHITECT'S SPECIFICATIONS

Ventilation Fan with Light shall be model 668RP as manufactured by NuTone according to listed specifications.



**MODEL 668RP**  
**CERTIFIED TEST DATA**



The air delivery of a ventilating system may be determined by:

1. Determine the equivalent duct length for each 90 degree elbow by adding one foot of duct length for each inch of duct diameter, (i.e., a 4-inch diameter duct elbow equals 4 feet equivalent duct length and an 8-inch diameter duct elbow equals 8 feet equivalent duct length).
2. Add the total straight length of duct and the equivalent length for each elbow to obtain the total equivalent duct length.
3. Locate the intersection of the fan performance curve and the total equivalent duct length curves and draw a vertical line down to the (cfm) scale and read the system air performance.



HVI-2100 CERTIFIED RATINGS comply with new testing technologies and procedures prescribed by the Home Ventilating Institute, for off-the-shelf products, as they are available to consumers. Product performance is rated at 0.1 in. static pressure, based on tests conducted in a state-of-the-art test laboratory. Sones are a measure of humanly-perceived loudness, based on laboratory measurements.

**MODEL 668RP**  
**DIMENSIONS**

