

## FAN / LIGHT

### READ AND SAVE THESE INSTRUCTIONS

#### WARNING

**TO REDUCE THE RISK OF FIRE, ELECTRIC SHOCK, OR INJURY TO PERSONS, OBSERVE THE FOLLOWING:**

1. Use this unit only in the manner intended by the manufacturer. If you have questions, contact the manufacturer at the address or telephone number listed in the warranty.
2. Before servicing or cleaning unit, switch power off at service panel and lock the service disconnecting means to prevent power from being switched on accidentally. When the service disconnecting means cannot be locked, securely fasten a prominent warning device, such as a tag, to the service panel.
3. Installation work and electrical wiring must be done by a qualified person(s) in accordance with all applicable codes and standards, including fire-rated construction codes and standards.
4. Sufficient air is needed for proper combustion and exhausting of gases through the flue (chimney) of fuel burning equipment to prevent backdrafting. Follow the heating equipment manufacturer's guideline and safety standards such as those published by the National Fire Protection Association (NFPA), and the American Society for Heating, Refrigeration and Air Conditioning Engineers (ASHRAE), and the local code authorities.
5. When cutting or drilling into wall or ceiling, do not damage electrical wiring and other hidden utilities.
6. Ducted fans must always be vented to the outdoors.
7. Acceptable for use over bathtub or shower when installed in a GFCI protected branch circuit.
8. If this unit is to be installed over a tub or shower, it must be marked as appropriate for the application and be connected to a GFCI (Ground Fault Circuit Interrupter) protected branch circuit.
9. Do not use this fan with any solid-state speed control device.
10. Never place a switch where it can be reached from a tub or shower.
11. Use this unit only in the manner intended by the manufacturer. If you have questions, contact the manufacturer.
12. This unit must be grounded.

#### CAUTION

1. Provide a separate 15 AMP circuit. Use 14 GA. power cable of type which meets code.
2. This product is designed for ceiling installation only. This product is designed for installation in ceilings up to a 12/12 pitch. Ductwork must point up. **DO NOT MOUNT THIS PRODUCT IN A WALL.**
3. Install in ceiling only, at least 6" from any wall.
4. For general ventilating use only. Do not use to exhaust hazardous or explosive materials and vapors.
5. To avoid motor bearing damage and noisy and/or unbalanced impellers, keep drywall spray, construction dust, etc., off power unit.
6. Please read specification label on product for further information and requirements.

### USE AND CARE

**DISCONNECT ELECTRIC POWER SUPPLY BEFORE CLEANING OR SERVICING THIS UNIT.**

#### TO REPLACE BULB:

Remove lens by gently depressing sides and pull down. Use bulb rated up to 100 watts only.

#### TO CLEAN LENS AND GRILLE:

Remove lens as explained above. Remove bulb. Remove acorn nut in center of light reflector and lower assembly. Unplug light.

**CAUTION:** Grille and reflector are separate units.

Plastic parts can be cleaned with mild, soapy water and dried with a soft cloth. **DO NOT USE ABRASIVE CLOTHS, STEEL WOOL PADS, OR SCOURING POWDERS.**

#### TO CLEAN FAN ASSEMBLY:

Unplug fan motor. Remove retaining screws.

**CAUTION:** Fan assembly will swing downward when screws are removed. Support the fan assembly with a free hand while removing retaining screws.

Gently vacuum fan, motor and interior of housing. Motor is permanently lubricated and never needs oiling.

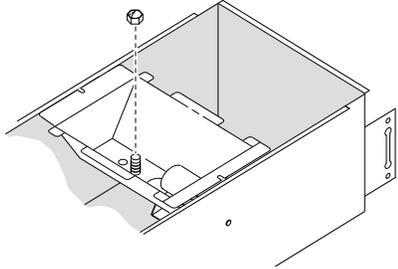
**METAL AND ELECTRICAL PARTS SHOULD NEVER BE IMMERSSED IN WATER.**

#### TO REASSEMBLE ALL ABOVE PARTS:

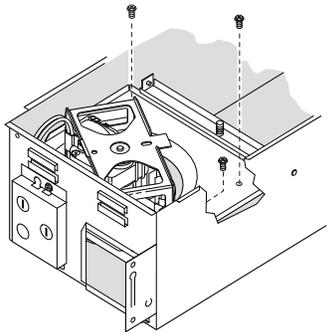
Reverse all procedures explained above. Assemblies should not be disassembled any further than explained above.

## PREPARE THE UNIT

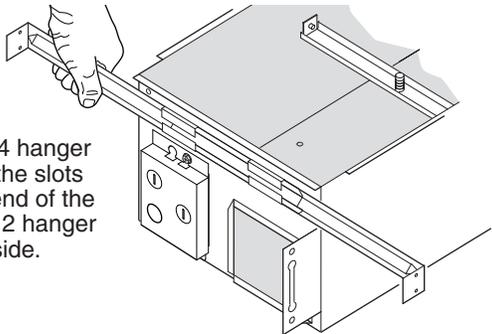
1. Remove the lamp holder assembly.



2. Remove fan assembly retaining screws. Lift fan assembly out of the housing.



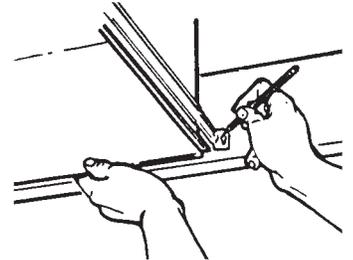
3. Slide the 4 hanger bars into the slots on each end of the housing - 2 hanger bars per side.



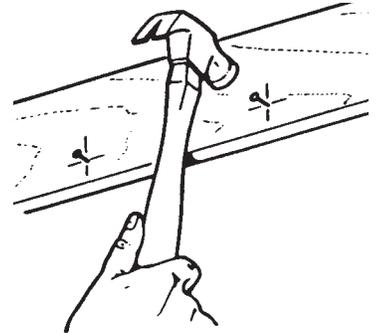
## INSTALL THE UNIT

For best results, choose a location which allows fan to be vented outside with the shortest possible duct run and the fewest number of elbows.

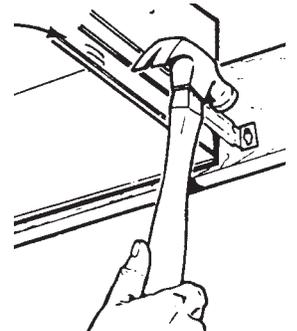
1. Position unit between joists and extend mounting brackets. Position brackets such that the bottom edge of housing will be flush with finished ceiling. Mark the top of keyhole slot on all four mounting brackets.



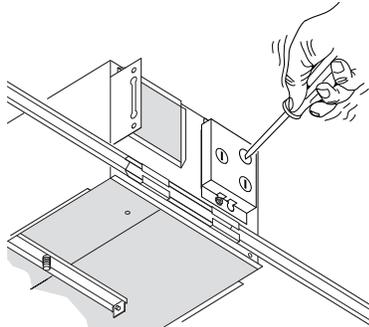
2. Remove unit temporarily, and pound nails partially into joists at all four marked locations.



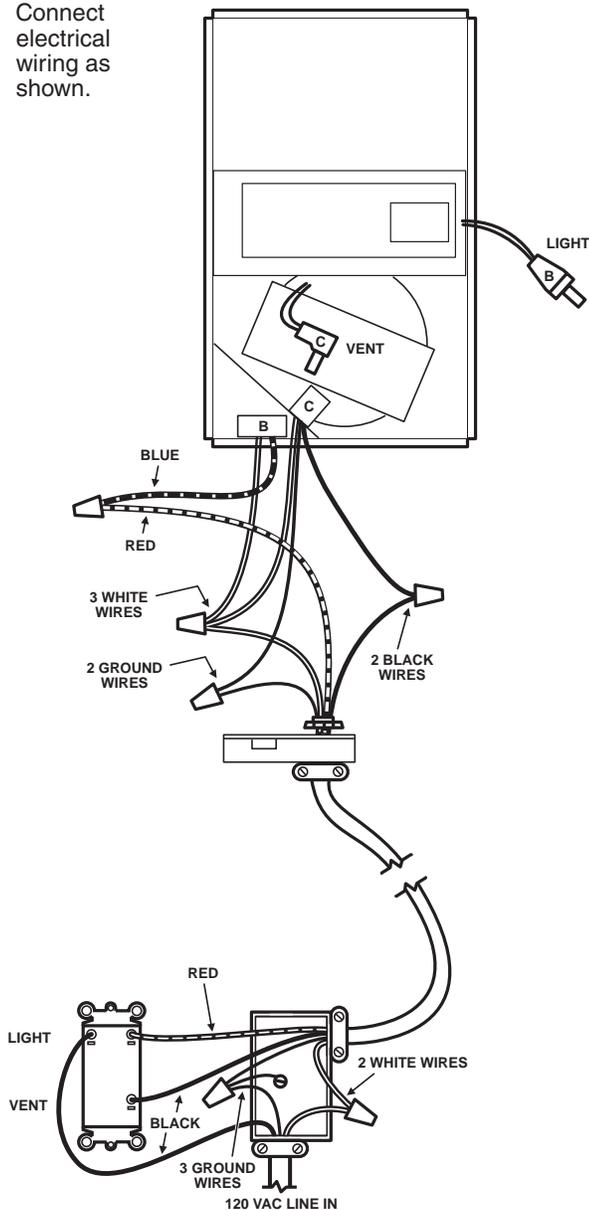
3. Hang unit from nails and check if unit will be flush with finished ceiling. Pound nails tight. For wide joist centers: A #8 x 3/8 self-tapping screw can be used to join extended brackets together and create a rigid mount. To ensure a noise-free mount, crimp the bracket channels tightly around mounting brackets.



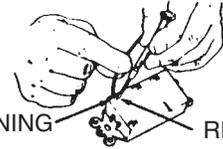
4. Use a flat-bladed screwdriver to remove the proper electrical knockouts.



5. Connect electrical wiring as shown.



WIRE OPENING RELEASE SLOT



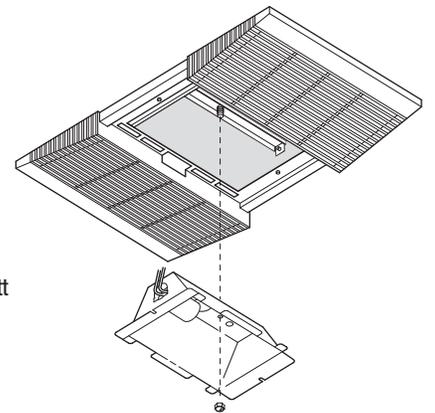
If the switch has not been wired properly and wires need to be moved:

1. Each wire opening has a release slot.
2. Push a small nail or screwdriver into release slot while gently removing wire.
3. DO NOT pull any wire out of the switch without using the release slot. The switch may be damaged.

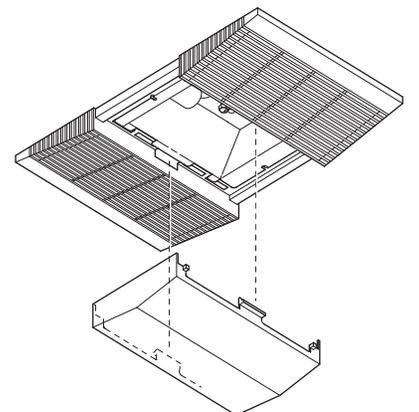
6. Replace the fan assembly removed in Step 4, under "PREPARE THE UNIT" on Page 2. Plug fan assembly into receptacle (C) on the side of the wiring cover. Direct wires away from blower inlets.

7. Install grille and light reflector. Plug light into receptacle (B). Tighten acorn nut securely. Be careful not to overtighten nut and deform reflector.

Install a 100 Watt (maximum) light bulb.



8. Install light lens. Gently squeeze tabs on lens and insert them into the slots in the grille.



## SERVICE PARTS

KEY NO.	PART NO.	DESCRIPTION
1	97017451	Housing
2	101183000	Damper / Duct Connector
3	44388000	Mounting Bracket (4 Req.)
4	99270981	Receptacle, White
	99271252	Receptacle, Black
5	82403000	Fan Blower Wheel
6	99080592	Fan Motor
7	97017080	Fan Motor Plate Assembly
8	99260428	Nut (4 Req.)
9	89852000	Grille Assembly (includes Key No. 13)
10	98010306	Light Reflector
11	97005316	Acorn Nut
12	99770112	Light Socket
13	53740000	Light Lens
14	99150576	#8 x 3/8 Sheet Metal Screw (3 Req.)
15	99260512	Tinnerman Nut
16	99420666	Wire Routing Clip (2 Req.)
17	98010286	Exhaust Fan Scroll Band

