

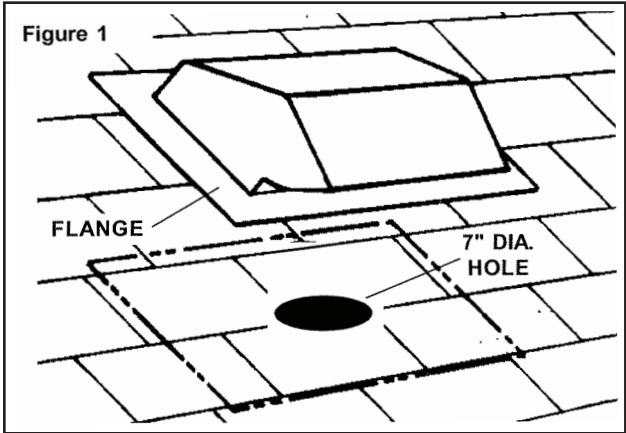
6" ROOF CAP INSTALLATION INSTRUCTIONS

PLANNING

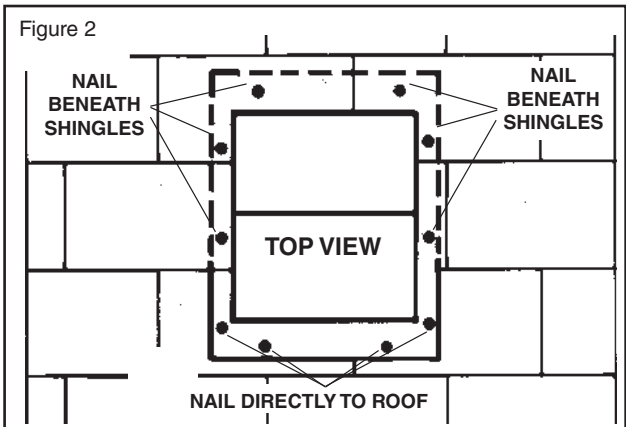
This roof cap includes a 6" diameter collar that accepts 6" insulated flexible duct. Duct can be attached using duct tape or a duct clamp. Roof cap is mounted and sealed to roof first, then duct is attached from the inside.

Before installing roof cap, make sure that bird screen is in place. Refer to 'MAINTENANCE' section.

INSTALLATION

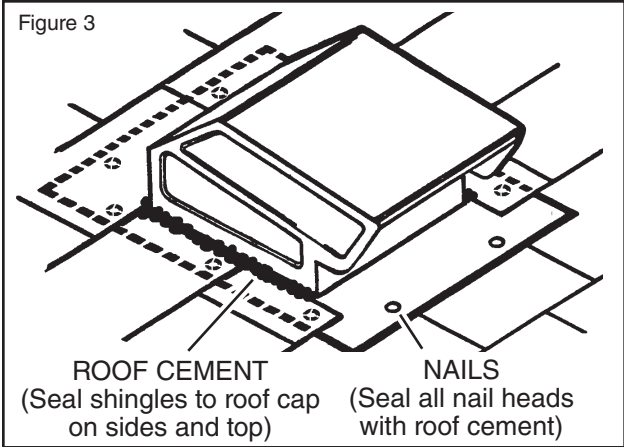


1. Cut approximately a 7" diameter hole in roof. (Figure 1)
2. Apply a bead of caulk or roof cement around underside of flange - about 1" in from edges.



3. Carefully lift shingles and slide top of flange under shingles. Nail flange to roof (under shingles) at top two corners and two sides. Nail directly to roof in four places at bottom. (Figure 2)

Figure 3



4. Use roofing cement to seal top and sides of roof cap. Seal all nail heads with roof cement as well. (Figure 3)
5. From inside, attach 6" insulated flexible duct to collar on roof cap. Secure with duct tape or duct clamp.

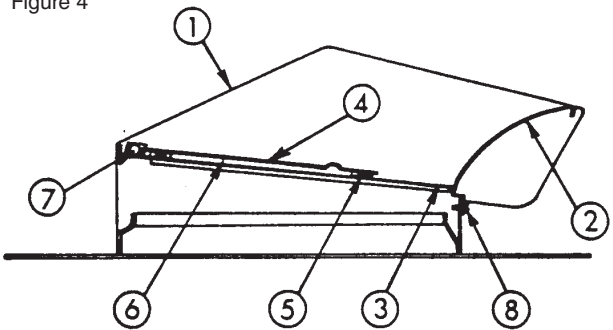
MAINTENANCE

To replace damper flap or gasket material:

1. Remove bird screen, using sharp point, (screwdriver, knife, etc.) pull down and pop screen out. (Figure 4)
2. Remove screw (ITEM #8) in center of damper plate assembly and pull assembly out.
3. Pull out damper rod and lift damper flap out.
4. Replace defective or worn parts and then reinstall damper flap with rib in flap facing up.
5. Slide damper plate assembly into grooves on inside of cap and replace screw. Make sure that damper opens freely.
6. Replace screen and position as shown.

NOTE: The high quality paint coating on our outdoor accessories may be used as the exterior finish or as a prime coat for the finish of your choice. We suggest that you apply the coating best suited for the special conditions of your installation.

Figure 4



KEY	PART NO.	DESCRIPTION
1	97011442	Housing
2	98005577	Bird Screen
3	98005584	Damper Plate
4	98005581	Damper Flap
5	99500321	Long Sealant Strip (2 req.)
6	99500322	Short Sealant Strip (2 req.)
7	98005576	Damper Rod
8	99170245	Screw

When it comes to quality home ventilations,
Broan-NuTone is the brand you can depend on.