

DESCRIPTION

- Two functions in one unit. Use them individually or together.
 - 1) 1300W heating element provides fast enveloping heat. Efficient fan evenly distributes warm air through room.
 - 2) Efficient, quiet blower, exhausts stale air and moisture to refresh the bath atmosphere.
- Streamline design with handsome white grille. Grille is tough engineered resin, impervious to bathroom climate.
- Includes hanger bars, adjustable from 16"-24".
- Built-in junction box with receptacles for simple plug-in of heater and fan motors.
- Nickel-chrome heating element.
- Quiet polypropylene duct adapter with silent, snap-on backdraft damper. Damper has long, tapering collar for easy attachment of 4" round duct.
- Connects to 120 VAC.
- For your convenience, NuTone offers a complete line of accessories to adapt this unit to your construction requirements.

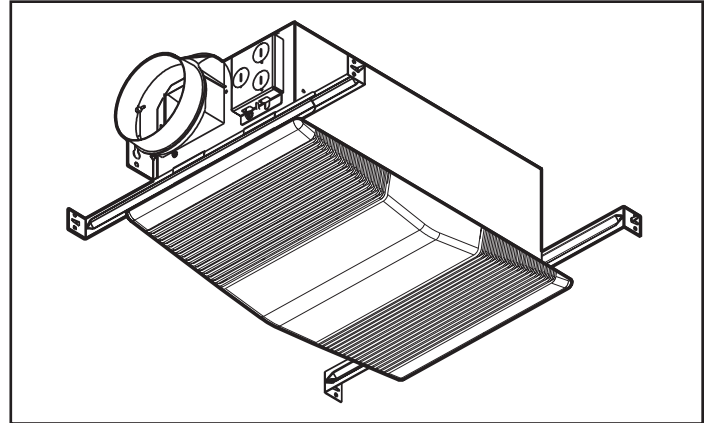
DESIGN FEATURES

Air Delivery:	70 cfm.
Sound Level:	4.0 Sones.
Dimensions:	Housing: 14-5/8" x 7-7/8" x 5-5/8". Grille: 9-7/8" x 16-1/4" x 1-3/4".
Material & Component Data:	Housing: Cold rolled steel, galvanized Grille: Engineered resin. Damper: Polypropylene.
Motors:	Sleeve bearings, thermally protected.
Impellers:	Centrifugal.
Element:	Open coil, nickel-chromium. 1300W.
Duct Size:	4" diameter.
Electrical Rating:	120 VAC, 60 Hz, 11.5 A



Ventilation Fan with Heater

MODEL 605RP



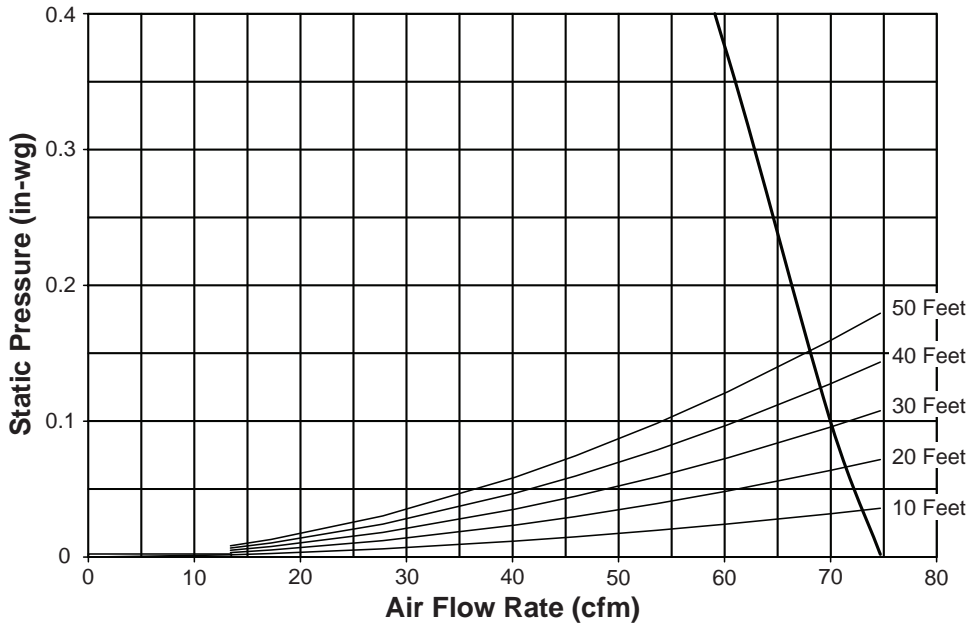
INSTALLATION

- Adjustable hanger bars attach to 16" or 24" O.C. joists in new construction.
- Built-in junction box accepts plug-in heater motor, and fan motor.
- Duct adapter has built-in damper and long, tapering collar for duct attachment.
- Discharge is horizontal through 4" round duct.
- Each unit includes complete installation instructions for both new and existing construction.
- Do not install unit over bath tub or in shower stall.
- Connect to dedicated 15 amp branch circuit. Use supply wiring rated for at least 90°C.
- Type IC suitable for use under thermal insulation.

ARCHITECT'S SPECIFICATIONS

Ventilation Fan with Heater shall be model 605RP as manufactured by NuTone according to listed specifications.

MODEL 605RP
CERTIFIED TEST DATA



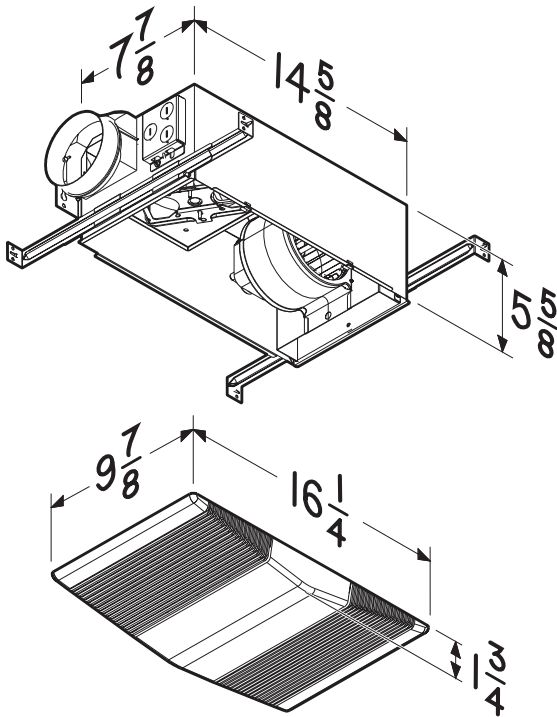
The air delivery of a ventilating system may be determined by:

1. Determine the equivalent duct length for each 90 degree elbow by adding one foot of duct length for each inch of duct diameter, (i.e., a 4-inch diameter duct elbow equals 4 feet equivalent duct length and an 8-inch diameter duct elbow equals 8 feet equivalent duct length).
2. Add the total straight length of duct and the equivalent length for each elbow to obtain the total equivalent duct length.
3. Locate the intersection of the fan performance curve and the total equivalent duct length curves and draw a vertical line down to the (cfm) scale and read the system air performance.



HVI-2100 CERTIFIED RATINGS comply with new testing technologies and procedures prescribed by the Home Ventilating Institute, for off-the-shelf products, as they are available to consumers. Product performance is rated at 0.1 in. static pressure, based on tests conducted in a state-of-the-art test laboratory. Sones are a measure of humanly-perceived loudness, based on laboratory measurements.

MODEL 605RP
DIMENSIONS



NuTone®