

HEATER / FAN

READ AND SAVE THESE INSTRUCTIONS

IMPORTANT INSTRUCTIONS

READ ALL INSTRUCTIONS BEFORE INSTALLING OR USING THIS HEATER.

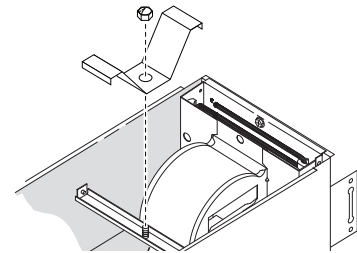
To reduce the risk of fire, electric shock, or injury to persons, observe the following:

1. Use this unit only in the manner intended by the manufacturer. If you have questions, contact the manufacturer at the address or telephone number listed in the warranty.
2. Before servicing or cleaning unit, switch power off at service panel and lock the service disconnecting means to prevent power from being switched on accidentally. When the service disconnecting means cannot be locked, securely fasten a prominent warning device, such as a tag, to the service panel.
3. Installation work and electrical wiring must be done by a qualified person(s) in accordance with all applicable codes and standards, including fire-rated construction codes and standards.
4. When cutting or drilling into wall or ceiling, do not damage electrical wiring and other hidden utilities.
5. This heater is hot when in use. To avoid burns, do not let bare skin touch hot surfaces. Keep combustible materials, such as furniture, pillows, bedding, papers, clothes, etc. and curtains at least 3 feet (0.9 m) from the front of the heater.
6. Extreme caution is necessary when any heater is used by or near children or invalids and whenever the heater is left operating and unattended.
7. Do not operate any heater after it malfunctions. Disconnect power at service panel and have heater inspected by a reputable electrician before reusing.
8. Do not use outdoors.
9. To disconnect heater, turn controls to off, and turn off power to heater circuit at main disconnect panel (or operate internal disconnect switch, if provided).
10. Do not insert or allow foreign objects to enter any ventilation or exhaust opening, as this may cause an electric shock or fire, or damage the heater.
11. To prevent a possible fire, do not block air intakes or exhaust in any manner.
12. A heater has hot and arcing or sparking parts inside. Do not use it in areas where gasoline, paint, or flammable vapors or liquids are used or stored.
13. Use this heater only as described in this manual. Any other use not recommended by the manufacturer may cause fire, electric shock, or injury to persons.
14. This product must be grounded.
15. Do not install heater in a tub or shower enclosure.
16. This product is designed for ceiling installation only. This product is designed for installation in ceilings up to a 12/12 pitch. Ductwork must point up. **DO NOT MOUNT THIS PRODUCT IN A WALL.**
17. Install heater at least 12 inches from floor or any adjacent wall.
18. Do not connect heater to dimmer switch or speed control.
19. Provide a separate 15 AMP circuit. Use 14 GA. power cable of type which meets code. Use supply wiring rated for at least 90°C.
20. For greatest efficiency, install heater so heat is directed toward tub or shower area. Avoid directing toward walls or windows.

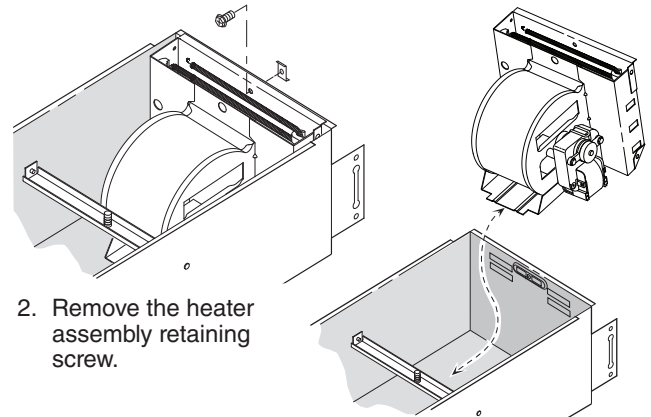
SAVE THESE INSTRUCTIONS

PREPARATION

1. Remove the grille bracket.

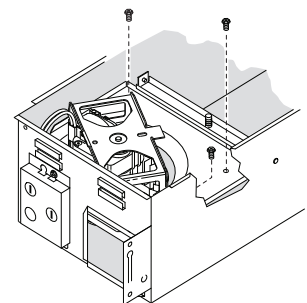


2. Remove the heater assembly retaining screw.

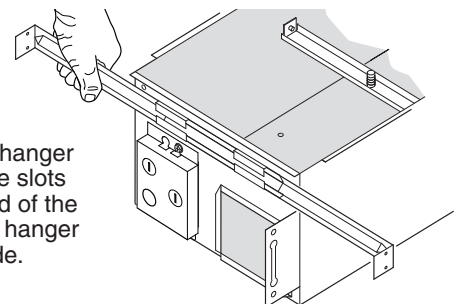


3. Rotate heater assembly and lift it up and out of the housing.

4. Remove fan assembly retaining screws. Lift fan assembly out of the housing.



5. Slide the 4 hanger bars into the slots on each end of the housing - 2 hanger bars per side.

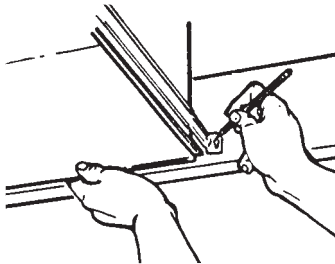


INSTALLATION

WARNING: To reduce the risk of fire, do not store or use gasoline or other flammable vapors and liquids in the vicinity of the heater.

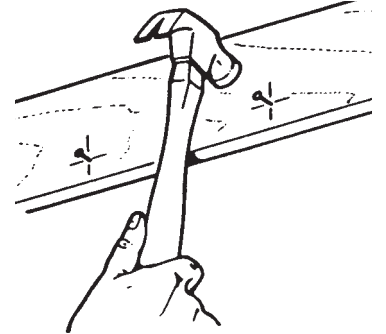
CAUTION: High temperature, risk of fire, keep electrical cords, drapery, furnishings, and other combustibles at least 3 feet (0.9 m) from the front of the heater and away from the side and rear.

For best results, choose a location which allows fan to be vented outside with the shortest possible duct run and the fewest number of elbows.

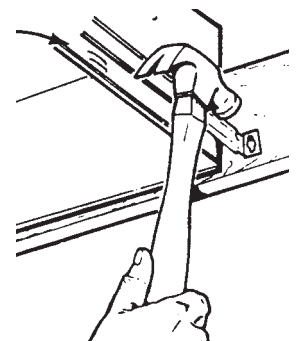


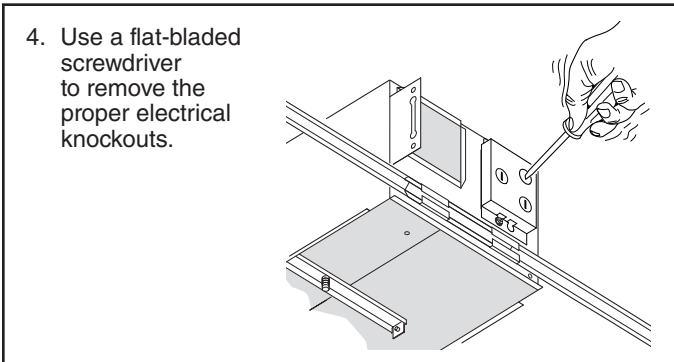
1. Position unit between joists and extend mounting brackets. Position brackets such that the bottom edge of housing will be flush with finished ceiling. Mark the top of keyhole slot on all four mounting brackets.

2. Remove unit temporarily, and pound nails partially into joists at all four marked locations.

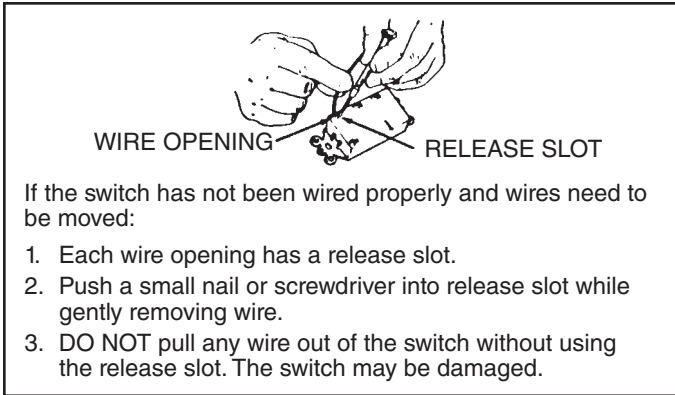
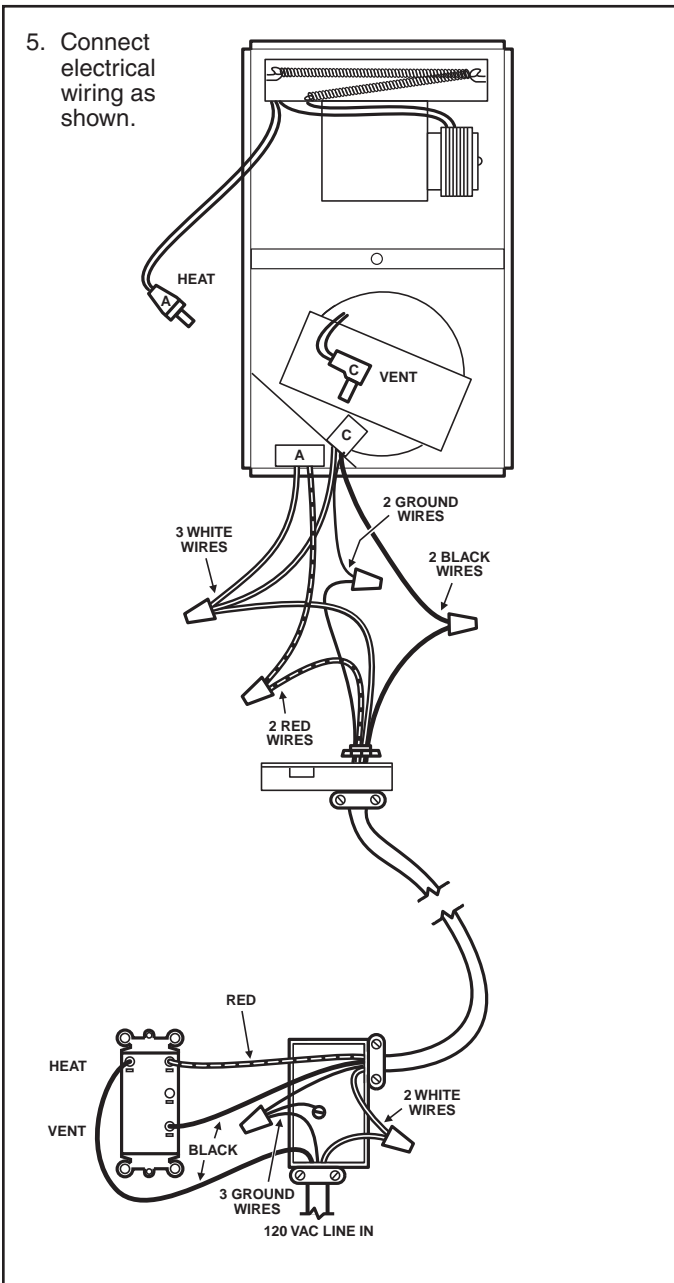


3. Hang unit from nails and check if unit will be flush with finished ceiling. Pound nails tight. For wide joist centers: A #8 x 3/8 self-tapping screw can be used to join extended brackets together and create a rigid mount. To ensure a noise-free mount, crimp the bracket channels tightly around mounting brackets.

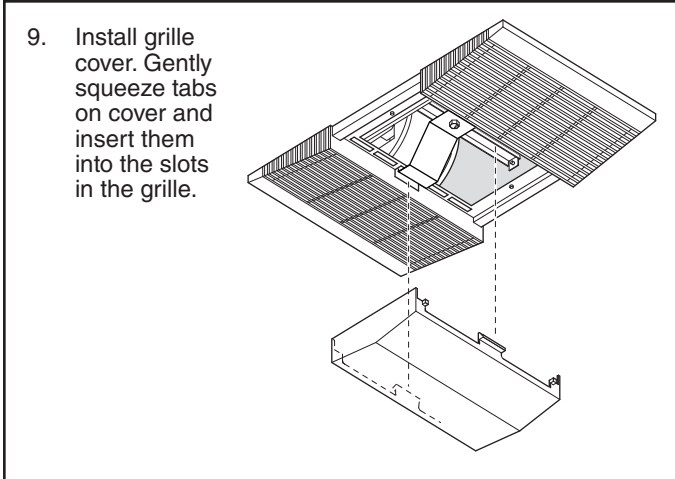
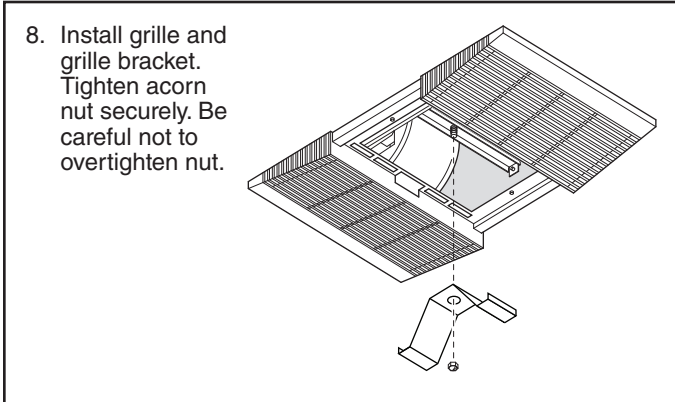




Installation work and electrical wiring must be done by a qualified person(s) in accordance with all applicable codes and standards, including fire-rated construction codes and standards.



6. Replace the fan assembly removed in Step 4, under "PREPARE THE UNIT" on Page 2. Plug fan assembly into receptacle (C) on the the side of the wiring cover. Direct wires away from blower inlets.
7. Replace the heater assembly removed in Steps 2, 3, under "PREPARE THE UNIT" on Page 2. Plug heater assembly into receptacle (A). Direct wires away from blower inlets.



OPERATION

Before using heater, make sure heater has been properly installed according to installation steps beginning with the "PREPARATION" section on page 1.

MAINTENANCE

The following maintenance and cleaning tasks can be performed by the user. All other servicing must be performed by an authorized technician.

LUBRICATION

The heater is permanently lubricated and never needs oiling or disassembly.

CLEANING

Clean heater once a month as follows:

1. Turn off power at service panel.
2. Make sure heating element is cool.
3. Use a soft brush attachment to gently vacuum grille openings or wipe grille clean with a soft cloth.
4. Restore power.

CAUTION: METAL AND ELECTRICAL PARTS SHOULD NEVER BE IMMERSSED IN WATER.

SERVICE PARTS

KEY NO.	PART NO.	DESCRIPTION
1	97017451	Housing
2	101183000	Damper / Duct Connector
3	44388000	Mounting Bracket (4 Req.)
4	99270982	Receptacle, Black
	99271252	Receptacle, Red
5	82403000	Fan Blower Wheel
6	99080592	Fan Motor
7	97017080	Fan Motor Plate Assembly
8	99260428	Nut (4 Req.)
9	97017824	Grille Assembly (includes Key No. 12)
10	85604000	Grille Bracket
11	97005316	Acorn Nut
12	53741000	Grille Cover
13	97005058	Bolt Assembly
14	99020134	Heater Blower Wheel
15	99150576	#8 x 3/8 Sheet Metal Screw (9 Req.)
16	93260457	#10 - 32 Nut (7 Req.) (2 included in Key No. 16)
17	99270107	Heater Hooks (5 Req.)
18	98010295	Heater Scroll Cover
19	97017070	Heater Scroll Housing
20	99080593	Heater Motor
21	98004514	Heater Element
22	99260512	Tinnerman Nut
23	99420666	Wire Clip (2 Req.)
24	98010286	Exhaust Fan Scroll Band

