

MODELS 510 & 511 ROOM-TO-ROOM FANS

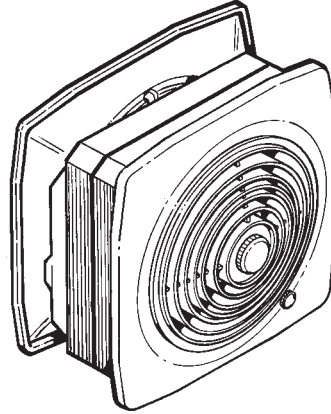


READ AND SAVE THESE INSTRUCTIONS

WARNING

TO REDUCE THE RISK OF FIRE ELECTRIC SHOCK, OR INJURY TO PERSONS, OBSERVE THE FOLLOWING:

1. Use this unit only in the manner intended by the manufacturer. If you have questions, contact the manufacturer at the address or telephone number listed in the warranty.
2. Before servicing or cleaning unit, switch power off at service panel and lock the service disconnecting means to prevent power from being switched on accidentally. When the service disconnecting means cannot be locked, securely fasten a prominent warning device, such as a tag, to the service panel.
3. Installation work and electrical wiring must be done by a qualified person(s) in accordance with all applicable codes and standards, including fire-related construction codes and standards.
4. Sufficient air is needed for proper combustion and exhausting of gases through the flue (chimney) of fuel burning equipment to prevent backdrafting. Follow the heating equipment manufacturer's guideline and safety standards such as those published by the National Fire Protection Association (NFPA), and the American Society for Heating, Refrigeration and Air Conditioning Engineers (ASHRAE), and the local code authorities.
5. When cutting or drilling into wall or ceiling, do not damage electrical wiring and other hidden utilities.
6. **DO NOT CREATE AN OPENING IN A FIRE-RATED WALL TO INSTALL THIS FAN.** It is not an exhaust fan, rather it is intended to direct air from one room to another.
7. This unit must be grounded.



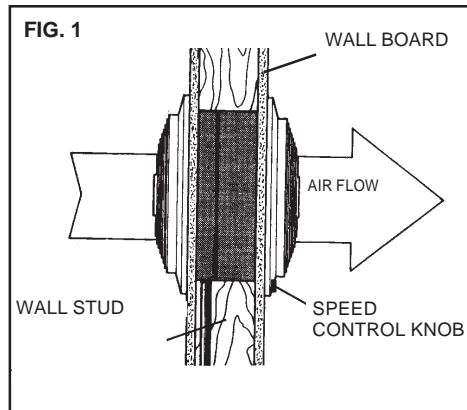
510 & 511

CAUTION

1. For general ventilating use only. Do not use to exhaust hazardous or explosive materials and vapors.
2. To avoid motor bearing damage and noisy and/or unbalanced impellers, keep drywall spray, construction dust etc. off power unit.
3. Use care when handling motor bracket assembly to prevent damage to blade. Do not set down assembly with weight of motor resting on the blade.
4. Please read specification label on product for further information and requirements.

TOOLS AND MATERIALS REQUIRED

- Pencil and ruler or tape measure for measuring and marking locations
- Straight-blade screwdriver
- 3/16" drill for drilling starter holes
- Drill, electric or ratchet drive
- Pliers for opening knockouts
- Drywall saw or saber saw for cutting opening through wall
- Electrical supplies of type to comply with local codes



**INSTALLER: Leave This Manual With The Homeowner.
HOMEOWNER: Use and Care Information on Page 3.**

TYPICAL INSTALLATION

1. This unit mounts between walls 3 to 5 1/2" thick. Housing can be fastened to walls in several ways. Mounting flanges can be nailed to wall studs through small holes in mounting flanges or fastened to wallboard using hollow wall fasteners. Large sleeve screws also clamp housing halves to walls for secure installation. Housing sleeves should always be tied together with two black sheet metal screws provided in parts bag.
2. Before installing fan, determine desired air flow direction. Air flows through fan in the same direction as the speed control knob points (FIG. 1).

PREPARE INSTALLATION LOCATION

1. Cut an 11 5/8" opening through both interior walls. Holes in both walls **MUST** line up (FIG. 2).

PREPARE FAN

1. Pull fan halves apart. Remove wiring box cover (FIG. 3).
2. Remove electrical knockout on side or bottom of motor housing (FIG. 3).
3. Install sleeve fasteners. Measure wall thickness through holes cut in wall. If walls are 3 1/2" thick or less, install sleeve fasteners in Position 1 as shown in Figure 4. If wall is thicker than 3 1/2" install fasteners in Position 2 as shown in Figure 4. Brackets slide into place.

INSTALL FAN

1. Run electrical wiring to installation opening. Fasten wiring to motor housing. Use proper connector for type of wire used.
2. Slide motor housing into opening (FIG. 5).
3. Make electrical connections as shown in Figure 6. Ground fan using green ground screw provided. Replace wiring box cover.
4. Slide grille housing into opening and remove knockout sections on housing to fit around electrical wiring (FIG. 7).
5. Fasten housing halves together with long sleeve screws and sleeve fasteners. Tie sleeves together with two black sheet metal screws provided in plastic parts bag (FIG. 8).
6. Plug in motor, turn on power and check operation of fan. Install grilles with grille screws provided. Long grille screws are used on grille housing. Install speed control knob.

FIG. 2

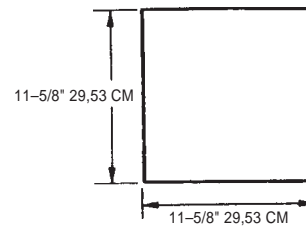


FIG. 3

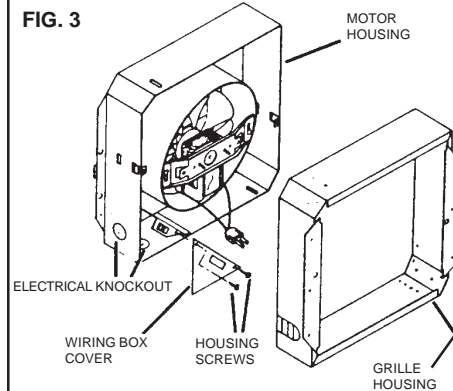
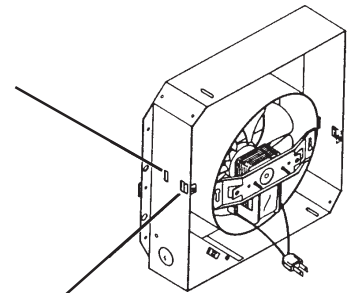


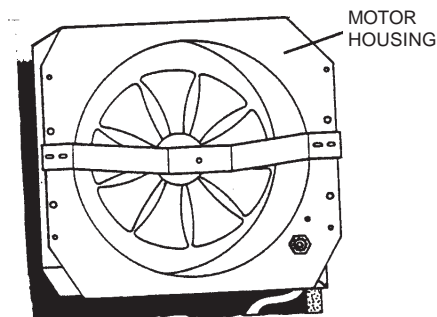
FIG. 4

POSITION 1
INSTALL BRACKET IN THIS SLOT IN WALLS
IF WALLS ARE LESS THAN 3-1/2" THICK



POSITION 2
INSTALL BRACKET IN THIS SLOT IN WALLS IF
WALLS ARE THICKER THAN 3-1/2"

FIG. 5



USE AND CARE

The rotary switch turns the fan ON and OFF and controls its speed.

Rotate knob **CLOCKWISE** to turn fan ON to HIGH speed. Further **CLOCKWISE** rotation decreases fan speed. Rotate knob fully **COUNTERCLOCKWISE** (past HIGH speed) to turn fan OFF.

Do not turn on the fan when starting a fire in a fireplace or wood stove until the damper is thoroughly warm and fully open. Turning the fan on too soon may draw smoke and flue gases into the room. Wait until the fire is well established.

Always unplug the fan motor before servicing the fan. The motor bearings are permanently lubricated and will never need oiling.

Clean the fan blade every six months by removing the grilles, loosening the mounting bracket screws, and removing the motor assembly. Gently vacuum the blade, motor and housing.

Clean grilles in warm, soapy water. Use a mild detergent such as a dishwashing liquid. **DO NOT USE ABRASIVE CLOTHS, STEEL WOOL PADS, SCOURING POWDERS, ETC.**

DISCONNECT ELECTRIC POWER SUPPLY BEFORE SERVICING FAN!

FIG. 6

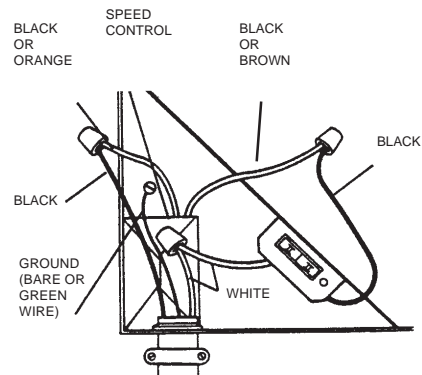


FIG. 7

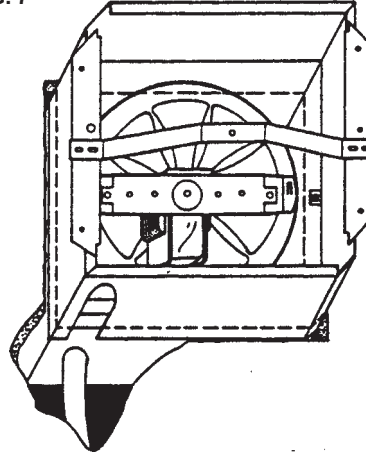
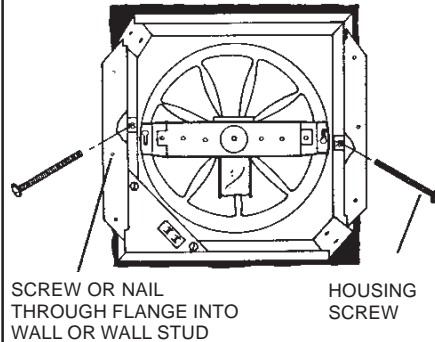
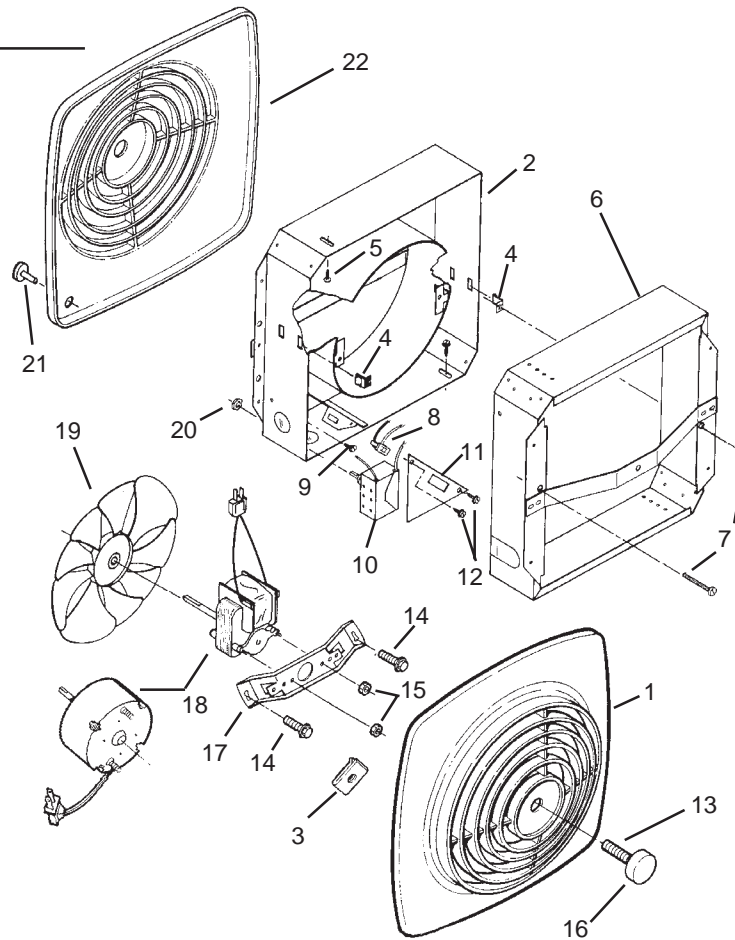


FIG. 8



SERVICE PARTS

MODELS 510 & 511



KEY NO.	MODEL 510 PART NO.	MODEL 511 PART NO.	DESCRIPTION
1	97011851	97011851	Grille (Polymeric)
2	97013674	97011787	Motor Housing
3	99260434	99260434	#10-12 U-Type Sheet Metal Nuts (1/2" long) (2 req.)
4	99420480	99420480	Sleeve Fasteners (2 req.)
5	_____	_____	#8A x 1/4 Hex Head Sheet Metal Screws (2 req.)*
6	97011793	97011793	Grille Housing
7	99380630	99380630	#10-12 x 2-7/8 Screw (2 req.)
8	99270982	99270982	Receptacle
9	_____	_____	#10-32 x 1/2 Hex Head Self Taping Screw* (2 req.)
10	99030132	99030132	Speed Control
11	98006081	98006081	Wiring Box Cover
12	_____	_____	#8B x 3/8 Hex Head Self Tapping Screws (2 req.)*
13	99420579	99420579	#10-12 x 3 Pan Head Screws (2 req.)
14	99150479	99150479	#8-32 x 1/2 Hex Head Self Tapping Screws (2 req.)*
15	99260425	99260428	Motor Nuts (2 req.)
16	97011913	97011913	Knob (2 req.)
17	98006066	98007820	Motor Bracket
18	99080596	99080175	Motor
19	99020271	99020165	Blade
20	99260422	99260422	Speed Control Nut
21	99360218	99360218	Speed Control Knob (510, 511)
22	97011852	97011852	Grille w/Hole (Polymeric)
**	97011886	97011886	Parts Bag (510, 511) (Contains Key nos. 5, 7, 9, 13, 21)

* Standard Hardware. May be purchased locally.

** Not Illustrated.

Order service parts by Part No. - NOT by Key No.