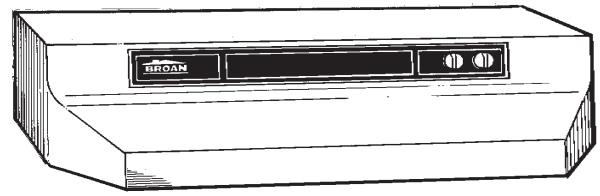


MODEL 46000 4-WAY CONVERTIBLE RANGE HOOD



Deluxe features in our smaller shell - offers the most hood for the money.

FEATURES

- Infinite speed fan control
- Polymeric blade and light lens (accepts up to 75 W bulb)
- Washable aluminum filter
- Converts to non-ducted by removing cover plate from control panel and installing the non-ducted filter (purchase separately)
- Mitered sides and hemmed bottom for safety and good looks
- 3¼" x 10" damper/duct connector included
- 7" round duct adapter plate included. 7" round damper purchase separately.
- Contemporary styling in White, Almond, Biscuit and Stainless Steel
- 120 volts, 2.5 amps, RPM: 3150
- Max blower CFM*: 260
- Available in 24", 30", 36" and 42" widths
- **Special Order Color** - Black (24", 30" and 36" only)



HVI-2100 CERTIFIED RATINGS comply with new testing technologies and procedures prescribed by the Home Ventilating Institute, for off-the-shelf products, as they are available to consumers. Product performance is rated at 0.1 in. static pressure, based on tests conducted in a state-of-the-art test laboratory. Sones are a measure of humanly-perceived loudness, based on laboratory measurements.

* Max. blower CFM indicates the performance of the hood blower in open air.

TYPICAL SPECIFICATION

Range hood shall be Broan Model 46000.

Unit shall be convertible between ducted (using a washable aluminum filter) and non-ducted (using a non-ducted filter).

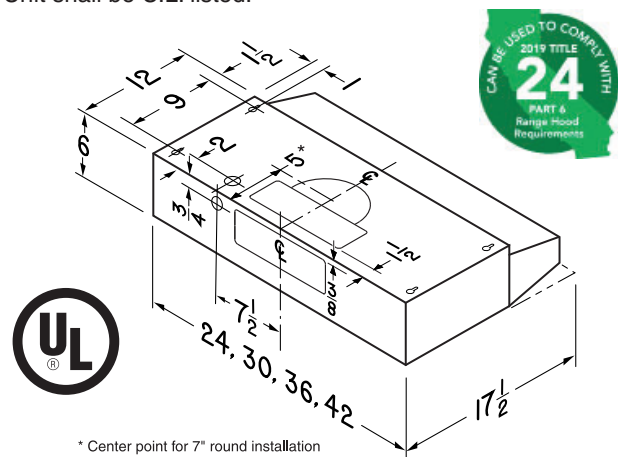
Motor to be permanently lubricated. RPM not to exceed 3150.

Unit shall have infinite speed fan control with separate light/night light switch.

Sides shall be mitered and bottom edge hemmed - with no sharp edges.

See below table for airflow and sound level performances.

Unit shall be U.L. listed.



* Center point for 7" round installation

HVI PERFORMANCE

| Duct Orientation | Size | Damper | Sones | | CFM | | |
|--------------------------|-----------------|-----------------|--------|------|--------|--------------------|-------------------|
| | | | Normal | High | Normal | High 0.25 in. w.g. | High 0.1 in. w.g. |
| Vertical - Rectangular | 3¼ in. x 10 in. | Included | 2.5 | 7.5 | 100 | 110 | 190 |
| Horizontal - Rectangular | 3¼ in. x 10 in. | Included | 3.0 | 7.5 | 100 | 110 | 190 |
| Vertical - Round | 7 in. | Sold separately | 2.0 | 7.5 | 100 | 110 | 220 |