

# INSTALLATION INSTRUCTIONS FOR AUTOMATIC SHUTTER

1. This Automatic Shutter is designed to be used with the Gable Mount Powered Attic ventilator. Sufficient air inlet area should be provided at the opposite side of the house thru louvered openings in the gable or screened openings in the eaves. Openings near the gable ventilator should be closed. HVI recommends one square foot of open air inlet per 300 CFM of ventilator capacity.
2. Use 2" x 4" nominal lumber and build a square to the dimensions shown in Fig. 1 inside the gable. The opening should be positioned so the shutter will be directly beneath the peak of the roof as high as possible in the gable. (See Fig. 1)
3. Drill through wall sheathing and siding at the four corners of the framed-out area. Holes should be large enough to insert a sabre saw blade. (See Fig. 2)

7. Place the frame in the opening and fasten in place. (See Fig. 6.)

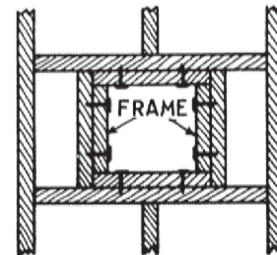
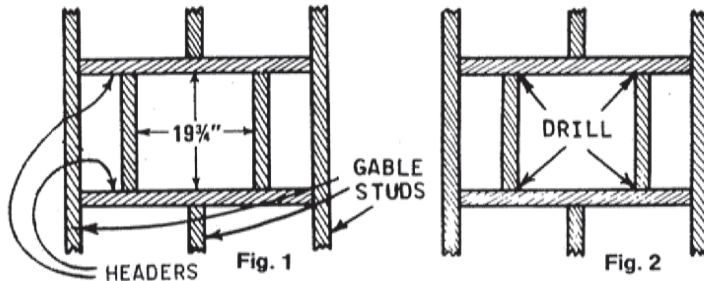


Fig. 6

8. Outside of attic, position the Automatic Shutter within the frame and fasten in place using eight wood screws. The shutter should be mounted level and square. Make sure that the shutter does not tip backward or forward. Do not twist or force the shutter frame as will cause the shutter leaves to bind and not function properly. Install a drip shield over the top edge of the shutter as shown in Fig. 7. Addition of siding trim strips may be required to avoid exposure of raw edges.

9. Check the shutter to see that it operates freely. Apply a good grade of caulking compound around the frame to seal against the weather. (See Fig. 8)

10. Cut a piece of 3/4" plywood to the dimensions shown or use the square cut out of the sheathing. Cut a 15" diameter hole in the center. (See Fig. 9)



4. Outside of the attic, draw a line between the four holes to provide a guideline for cutting the siding and sheathing. (See Fig. 3)

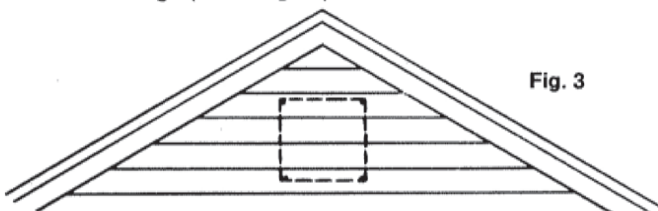


Fig. 3

5. Cut through siding and sheathing with sabre saw to remove the material inside of the framed-out area. (See Fig. 4)



Fig. 4

6. Build a frame for the shutter with 2" x 4" nominal lumber to the dimension shown. (See Fig. 5)

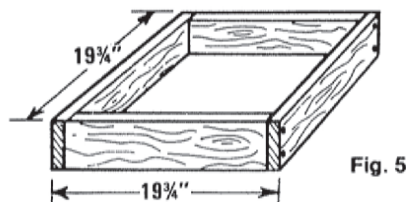


Fig. 5

99041460A

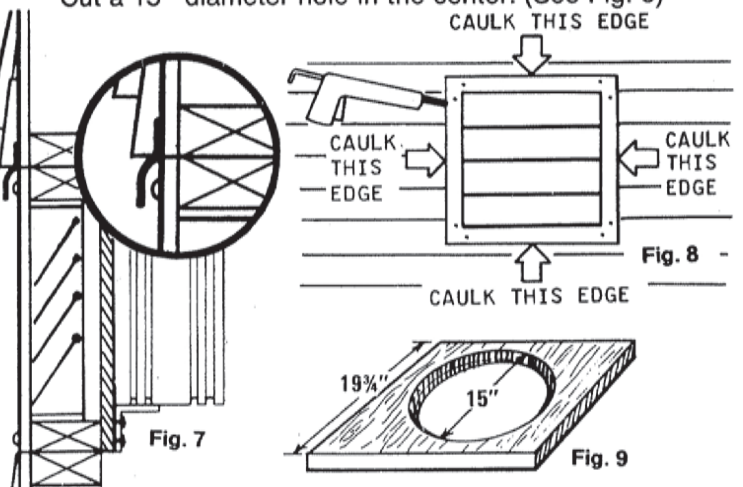


Fig. 8

Fig. 9

11. Mount the board to the frame (Fig. 10.)

12. Mount and install the Gable Mount Powered Attic Ventilator to this board following instructions provided with the ventilator. (See Fig. 10)

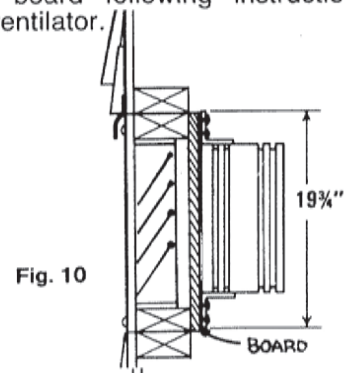


Fig. 10