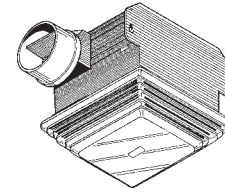


# BROAN®

## FAN/LIGHT COMBINATION VENTILATORS

MODELS 678 • 679 • 680 • 679FL • 680FL

2678F, 2679F, 2680F, FL2679F  
& FL2680F FINISH PACKS  
FOR USE WITH  
3677H HOUSING PACK



Page 1

## READ AND SAVE THESE INSTRUCTIONS

### WARNING

TO REDUCE THE RISK OF FIRE, ELECTRIC SHOCK, OR INJURY TO PERSONS, OBSERVE THE FOLLOWING:

1. Use this unit only in the manner intended by the manufacturer. If you have questions, contact the manufacturer at the address or telephone number listed in the warranty.
2. Before servicing or cleaning unit, switch power off at service panel and lock the service disconnecting means to prevent power from being switched on accidentally. When the service disconnecting means cannot be locked, securely fasten a prominent warning device, such as a tag, to the service panel.
3. Installation work and electrical wiring must be done by a qualified person(s) in accordance with all applicable codes and standards, including fire-rated construction codes and standards.
4. Sufficient air is needed for proper combustion and exhausting of gases through the flue (chimney) of fuel burning equipment to prevent backdrafting. Follow the heating equipment manufacturer's guideline and safety standards such as those published by the National Fire Protection Association (NFPA), and the American Society for Heating, Refrigeration and Air Conditioning Engineers (ASHRAE), and the local code authorities.
5. When cutting or drilling into wall or ceiling, do not damage electrical wiring and other hidden utilities.

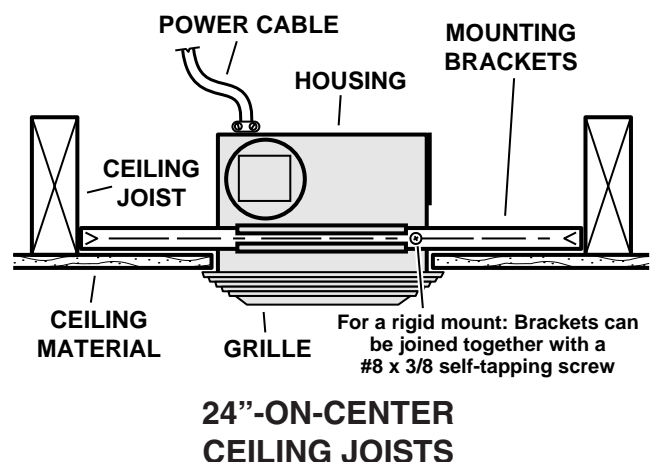
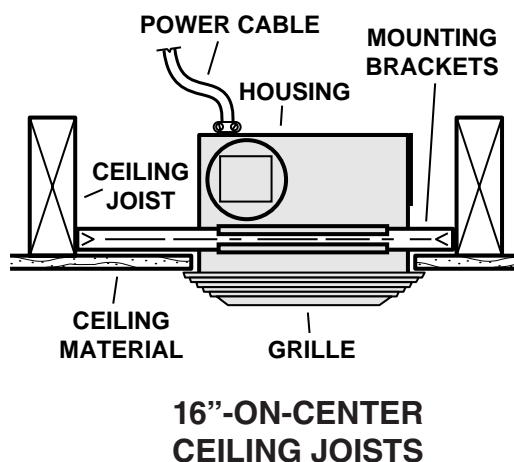
### WARNING

6. Ducted fans must always be vented to the outdoors.
7. If this unit is to be installed over a tub or shower, it must be marked as appropriate for the application and be connected to a GFCI (Ground Fault Circuit Interrupter) - protected branch circuit.
8. Never place a switch where it can be reached from a tub or shower.
9. **Fluorescent models only:** Do not use a dimmer switch to control the light of this unit.
10. This unit must be grounded.

### CAUTION

1. For general ventilating use only. Do not use to exhaust hazardous or explosive materials and vapors.
2. This product is designed for ceiling installation only. This product is designed for installation in ceilings up to a 12/12 pitch. Ductwork must point up. **DO NOT MOUNT THIS PRODUCT IN A WALL.**
3. To avoid motor bearing damage and noisy and/or unbalanced impellers, keep drywall spray, construction dust, etc. off power unit.
4. Please read specification label on product for further information and requirements.

## TYPICAL INSTALLATIONS

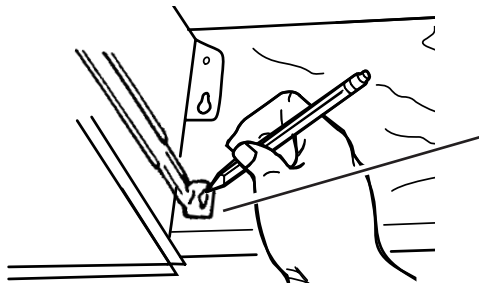
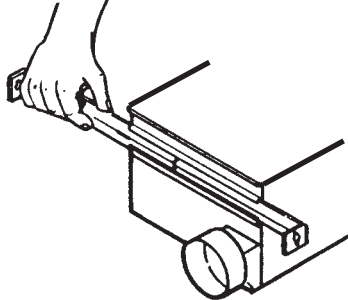


**Installer: Leave this manual with the homeowner.  
Homeowner: Use and Care information on page 4.**

## INSTALL THE HOUSING

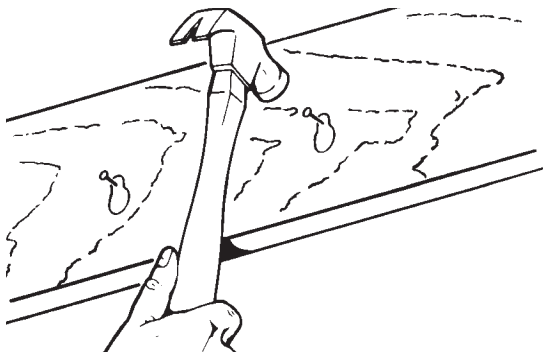
### New Construction

1. Slide adjustable mounting brackets into channels on sides of housing.
2. Choose the location for your fan/light in the ceiling. For best possible performance, use the shortest possible duct run and a minimum number of elbows.

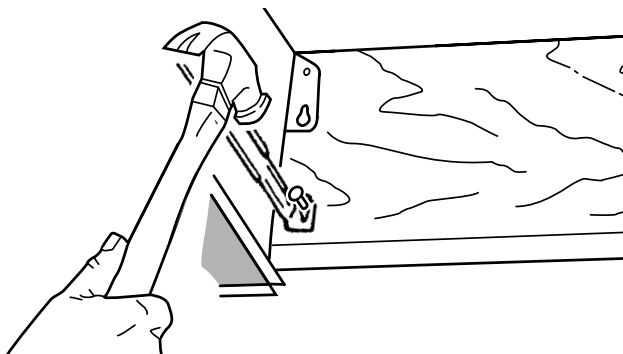


Position bottom edge of brackets slightly above bottom edge of joists.

3. Position mounting brackets against joist. Mark the keyhole slot on both mounting brackets.



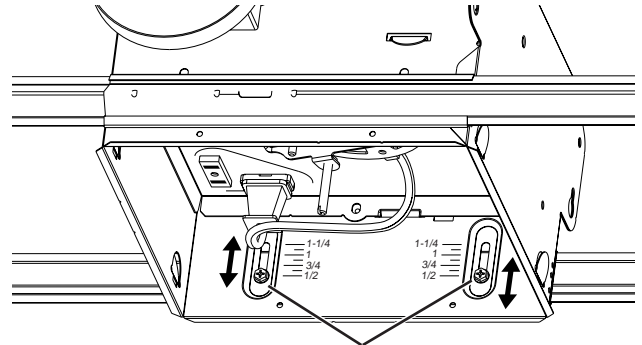
4. Set housing aside and drive nails partially into joist at the top of both keyhole marks.



5. Hang housing from nails and pound nails tight. To ensure a noise-free mount, crimp the bracket channels tightly around the mounting brackets.

## INSTALL THE HOUSING (continued)

### New Construction

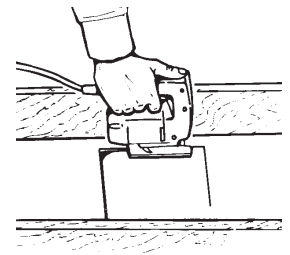
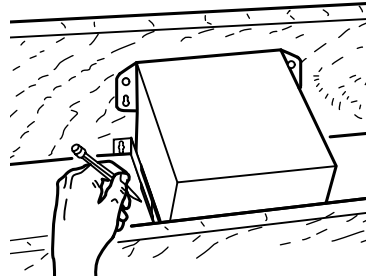


ADJUSTMENT SCREWS

6. To adjust vertical housing position: Loosen adjustment screws on both sides of housing. Move housing up or down until adjustment screws line up with mark indicating your finished ceiling thickness. Tighten screws securely.

### Existing Construction

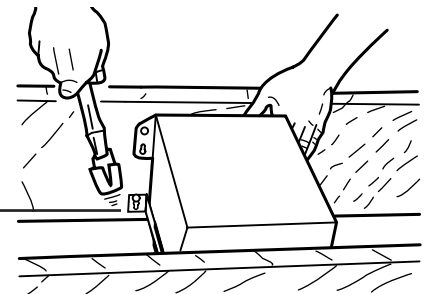
1. Choose the location for your fan/light in the ceiling. For best possible performance, use the shortest possible duct run and a minimum number of elbows.



2. In attic, position housing in desired location. Trace outline of housing on ceiling material.

3. Set housing aside and cut ceiling opening slightly larger than marked.

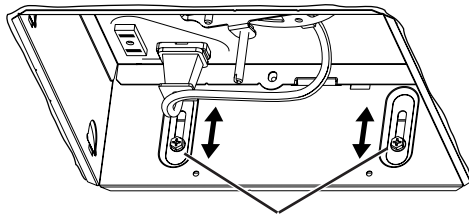
Position bottom edge of brackets slightly above bottom edge of joists.



4. Place housing in opening. Position mounting brackets against joist and nail to joist through keyhole on both sides. To ensure a noise-free mount, crimp the bracket channels tightly around the mounting brackets.

## INSTALL THE HOUSING (continued)

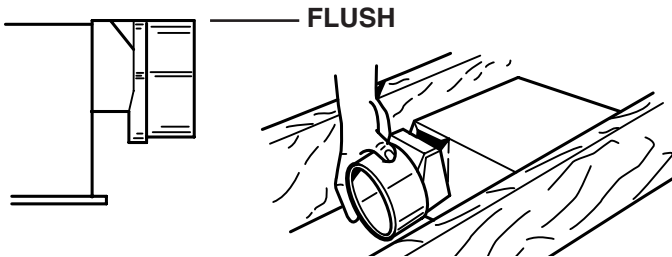
### Existing Construction



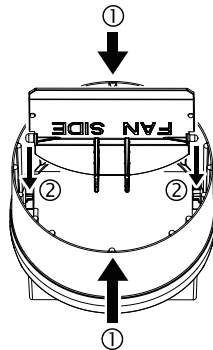
ADJUSTMENT SCREWS

- To adjust vertical housing position: Loosen adjustment screws on both sides of housing. Move housing up or down until bottom edge of housing is flush with finished ceiling material. Tighten screws securely.

## INSTALL THE DUCTWORK



**NOTE:** The duct connector has a counter-balanced damper flap. The flap will be “open” approx. 1” when duct connector is attached to housing. This design permits insulation to be in direct contact with fan/light housing per UL (Underwriters Laboratories) standards. The slightest backdraft, however, will close the damper flap, preventing air from entering unit or finished space.

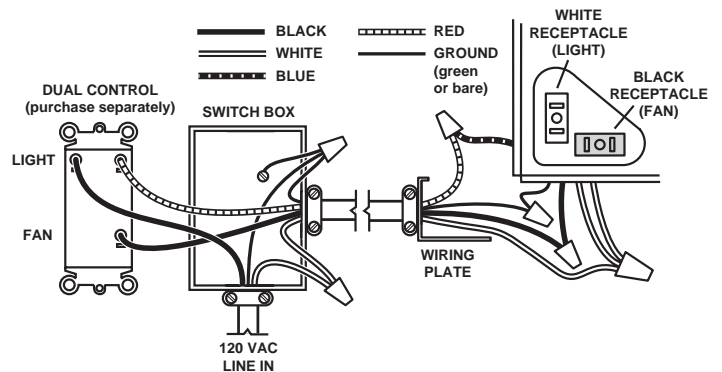
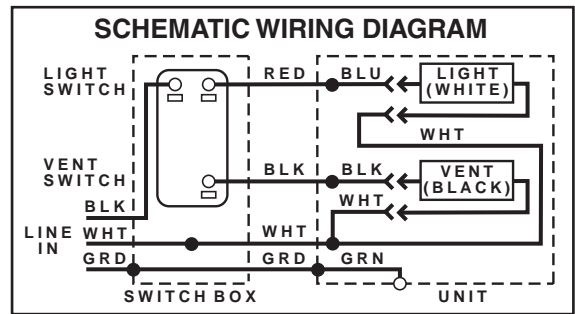


- Snap the damper/duct connector onto housing. Make sure that tabs on the connector lock into slots in housing. Top of damper/duct connector should be flush with top of housing.

**NOTE:** Make sure damper flap is in place inside of duct connector. If it is not: ① Squeeze top and bottom of connector to ② snap flap back into place.

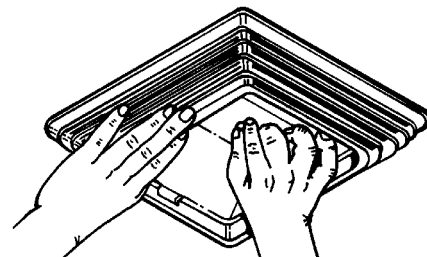
- Connect 4” round duct to damper/duct connector and extend duct to outside through a roof or wall cap. Check damper to make sure that it opens freely. Tape all duct connections to make them secure and air tight.

## CONNECT THE WIRING

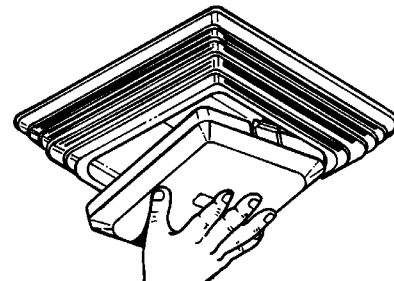


- Wire unit following diagram above. Run electrical cable as direct as possible to unit. Do not allow cable to touch sides or top of unit after installation is complete.

## ATTACH THE GRILLE



- Slide light reflector into front of grille opening. Plug light into WHITE receptacle. Place grille / reflector combination over protruding screw, and fasten in place using acorn nut provided. **HAND TIGHTEN** acorn nut 1/4 turn after it is snug.



- Install light bulb (not included). (See next page for type and size for your model.) Insert one tab on light lens into a slot in the grille / reflector combination. Squeeze other tab slightly and snap into remaining slot.

## USE AND CARE

**WARNING: DISCONNECT ELECTRICAL POWER SUPPLY AND LOCK OUT SERVICE PANEL BEFORE CLEANING OR SERVICING THIS UNIT.**

### BULB REPLACEMENT

Remove lens by gently depressing sides and pull down.

#### Models 678, 679 & 680:

Use 100 Watt maximum incandescent bulb.

#### Model 679FL:

Use only the following 13 Watt fluorescent lamps: **Broan** 97010729, **Sylvania** CF13DD827, **Phillips** PL-C 13W/27/USA, **General Electric** F13DBX23T4/SPX27, **Osram** CF13DD827, **NEMA Type** CFQ13W/GX23.

#### Model 680FL:

Use only the following 22 Watt fluorescent lamps: **Broan** 97015191, **Phillips** PL-C 15MM/22W, **Panasonic** FDL22, **NEMA Type** CFQ20W/GX32d.

### MOTOR LUBRICATION

The motor is permanently lubricated. Do not oil or disassemble motor.

## USE AND CARE

### CLEANING

#### TO CLEAN LENS AND GRILLE:

Remove light lens and bulb. Remove nut in center of reflector and lower assembly.

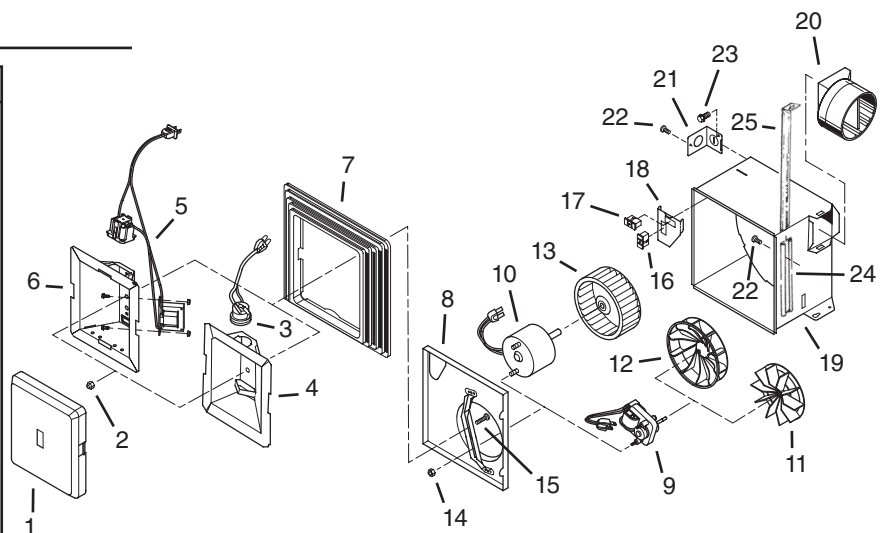
**CAUTION: Grille and reflector are separate units. Unplug light from WHITE receptacle. Plastic parts can be cleaned with mild, soapy water (use a mild detergent, such as dishwashing liquid) and dried with a soft cloth. Do not use abrasive cloth, steel wool pads, or scouring powders.**

#### TO CLEAN FAN ASSEMBLY:

Unplug fan assembly (BLACK receptacle). To remove motor plate: Find the single tab on the motor plate (located next to the receptacles). Push up near motor plate tab while pushing out on side of housing. Or insert a straight-blade screwdriver into slot in housing (next to tab) and twist screwdriver. Gently vacuum fan, motor and interior of housing. METAL AND ELECTRICAL PARTS SHOULD NEVER BE IMMERSSED IN WATER.

## SERVICE PARTS

KEY	PART NO.	DESCRIPTION
1	97013578	Light Lens
2	97005316	Acorn Nut
3	99770029	Bulb Holder (678, 679, 680)
4	97014211	Light Reflector (678, 679, 680)
*	97014212	Light Reflector Assembly (678, 679, 680) (includes Key Nos. 3 & 4)
5	97015202	Lamp Holder Wiring (679FL)
	97015203	Lamp Holder Wiring (680FL)
6	98006276	Light Reflector (679FL)
	98009648	Light Reflector (680FL)
*	97015167	Light Reflector Assembly (679FL) (incl. Key Nos. 5 & 6)
*	97015168	Light Reflector Assembly (680FL) (incl. Key Nos. 5 & 6)
7	97013974	Grille
8	97014926	Motor Plate
9	99080521	Motor (678)
	99080522	Motor (679, 679FL)
10	99080517	Motor (680, 680FL)
11	99111002	Impeller (678)
12	99110446	Impeller (679, 679FL)
13	99020276	Impeller (680, 680FL)
14	99260428	Motor Nut (678, 679, 679FL) (2 req.)
	99260425	Motor Nut (680, 680FL) (2 req.)
15	99150582	Grille Screw
*	97015163	Blower Assembly (678)
*	97015165	Blower Assembly (679, 679FL)
*	97015157	Blower Assembly (680, 680FL) (Blower Assemblies include Motor, Impeller, 8, 14 & 15)
16	99271252	Receptacle (Black)
17	99270981	Receptacle (White)
18	98009612	Wire Panel
*	97015171	Wire Panel Assembly (includes Key Nos. 16,17,18)
19	97014922	Housing
20	97014185	Damper/Duct Connector
21	98008868	Wiring Plate
22	99150575	Screw, #8-18 x .375
23	99150471	Ground Screw
24	98007763	Slide Channel (2 req.)
25	98003036	Support Angle (4 req.)



\*  
Not shown assembled.

Order replacement parts by "PART NO." - not by "KEY NO."