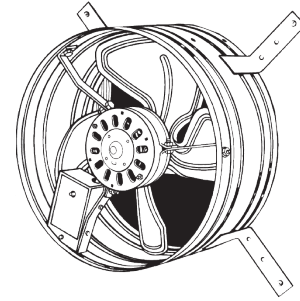


GABLE MOUNTED POWERED ATTIC VENTILATORS



Combine the Model 353 or Model 35316 ventilators with the specially designed Automatic Shutter to get optimum efficiency and performance.

FEATURES

- Precision balanced 14" metal blade for maximum air flow - minimum sound level
- 22 gage galvanized steel housing with ribs for added strength
- Mounting brackets included
- Thermally protected, permanently lubricated motor
- Built-in thermostat for automatic ventilation

MODEL 433 AUTOMATIC SHUTTER (purchase separately):

- Counter-balanced aluminum vanes - open and close as fan starts and stops
- Better air flow than stationary attic louvers
- Extruded aluminum construction - fits flush with outside wall

CONTROLS DESIGNED FOR USE WITH THIS PRODUCT

(purchase separately):

- Model 69W (White) Single-Function Control
- Model 72W (White) Electronic Variable Speed Control - 6 amp

Can be used to ventilate excess heat and humidity from single family, residential garages.

SPECIFICATIONS

MODEL	VOLTS	AMPS	RPM	CFM	MIN. INLET AREA
353	120	3.4	1030	1020/760*	3.4/2.5* SQ. FT.
35316	120	3.9	1420	1600/1160*	5.5/3.9* SQ. FT.

*with Model 433 shutter/with standard HVI wood louver



HVI-2100 CERTIFIED RATINGS comply with new testing technologies and procedures prescribed by the Home Ventilating Institute, for off-the-shelf products, as they are available to consumers. Product performance is rated at 0.1 in. static pressure, based on tests conducted in a state-of-the-art test laboratory. Sones are a measure of humanly-perceived loudness, based on laboratory measurements.



TYPICAL SPECIFICATION

Gable Mounted Attic Ventilator shall be Broan Model 353 or Model 35316.

Ventilator shall have metal blade and heavy-gauge galvanized steel housing with all mounting hardware included.

Motor to be thermally protected and permanently lubricated. RPM not to exceed 1030 (Model 353) and 1420 (Model 35316).

Ventilator shall have built-in automatic thermostat.

Air delivery shall be no less than 1020 CFM (with 433 Shutter) and 760 CFM (with standard HVI wood louver) for Model 353. Air delivery shall be no less than 1600 CFM (with 433 shutter) and 1160 CFM (with standard HVI wood louver) for Model 35316. All ratings shall be certified by HVI. Unit to be U.L. Listed.

