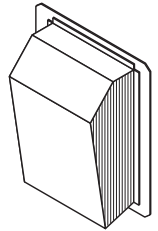


MODEL 336 EXTERIOR MOUNTED BLOWER



FOR USE WITH RANGEMASTER 60000 OR RM60000 SERIES OR 64000 SERIES RANGE HOODS

READ AND SAVE THESE INSTRUCTIONS

WARNING

TO REDUCE THE RISK OF FIRE, ELECTRIC SHOCK, OR INJURY TO PERSONS, OBSERVE THE FOLLOWING:

1. Use this unit only in the manner intended by the manufacturer. If you have questions, contact the manufacturer at the address or phone number listed in the warranty.
2. Before servicing or cleaning unit, switch power off at service panel and lock the service disconnecting means to prevent power from being switched on accidentally. When the service disconnecting means cannot be locked, securely fasten a prominent warning device, such as a tag, to the service panel.
3. Installation work and electrical wiring must be done by a qualified person(s) in accordance with all applicable codes and standards, including fire-rated construction codes and standards.
4. Sufficient air is needed for proper combustion and exhausting of gases through the flue (chimney) of fuel burning equipment to prevent backdrafting. Follow the heating equipment manufacturer's guideline and safety standards such as those published by the National Fire Protection Association (NFPA), and the American Society for Heating, Refrigeration and Air Conditioning Engineers (ASHRAE), and the local code authorities.

WARNING

5. When cutting or drilling into wall, or ceiling, do not damage electrical wiring or other hidden utilities.
6. Ducted fans must always be vented to the outdoors.
7. To reduce risk of fire, use only metal ductwork.
8. This unit must be grounded.

CAUTION

1. For general ventilating use only. Do not use to exhaust hazardous or explosive material and vapors.
2. To avoid motor bearing damage and noisy and/or unbalanced impellers, keep drywall spray, construction dust, etc. off power unit.
3. Please read specification label on product for further information and requirements.
4. Electrical circuit, including speed control, (if used), must be rated 6 AMPS minimum.

SPECIFICATIONS

MODEL	VOLTS	AMPS	CFM	DUCT SIZE
336	120	4.3	1500	10" DIA.

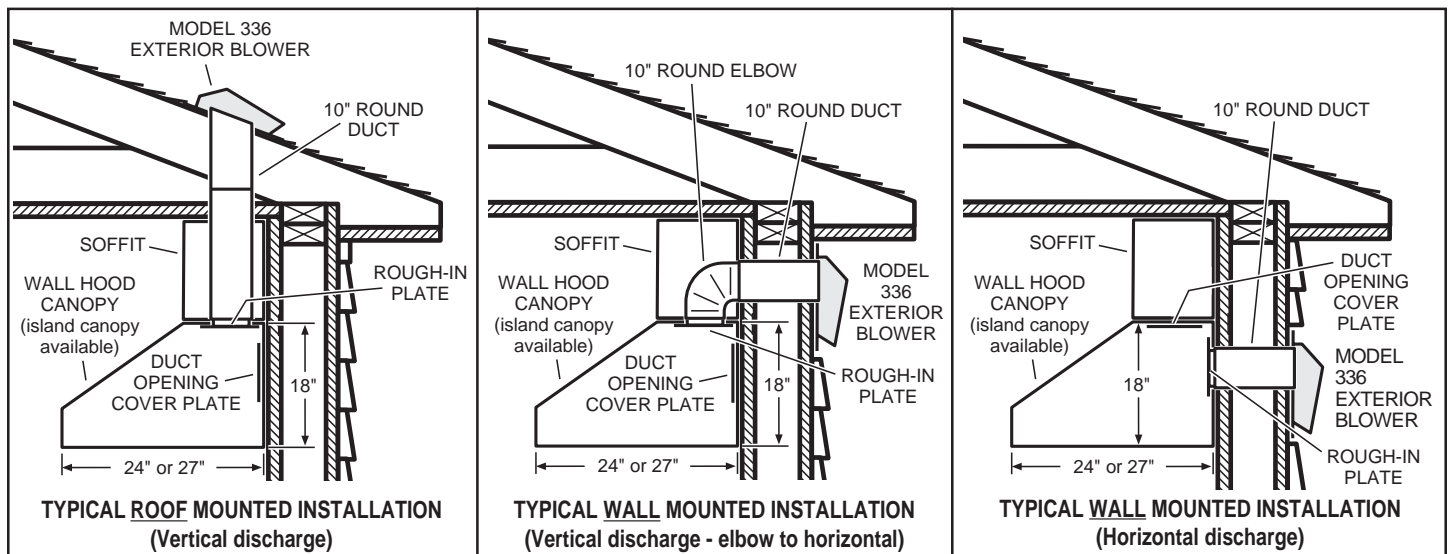
PLAN THE INSTALLATION

ALL INSTALLATIONS

1. Locate the blower so the length of the duct run and number of elbows needed are kept to a minimum.

2. Where possible, blower should be centered between wall studs or roof rafters.
3. Avoid pipes, wires, or other ductwork that may be running through the wall.

NOTE: Horizontal discharge requires relocation of the duct opening cover plate. See hood manual for instructions.

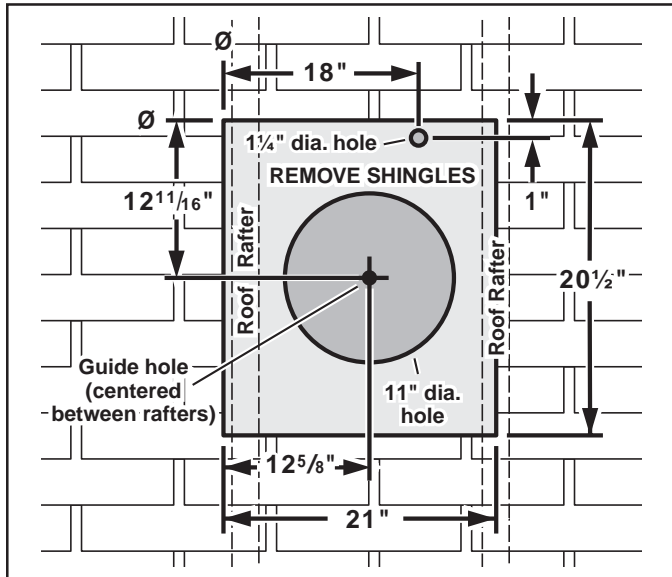


**INSTALLER: Leave This Manual With The Homeowner
HOMEOWNER: Use And Care Information On Page 4**

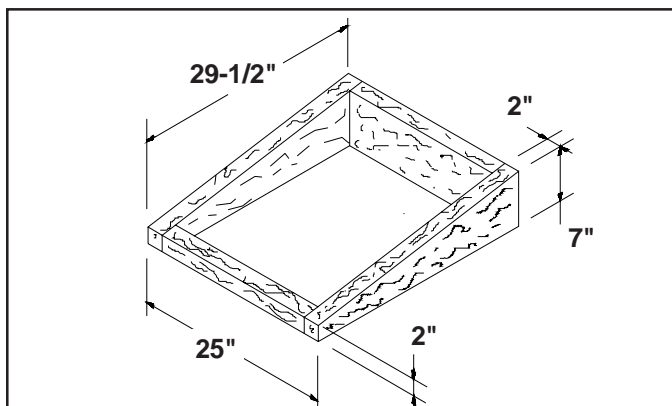
PREPARE THE INSTALLATION LOCATION

ROOF INSTALLATIONS

1. Locate the blower on the rear slope of the roof. Place it in a location to minimize duct run. The location should be free of obstacles (T.V. leads, electrical lines, etc.). If the blower top is level with the roof peak, it will not be seen from the street. Keep this approximate location in mind as you work from within the attic.
2. Mark and drill a **guide hole** centered between **roof rafters**.



3. From the outside, use the guide hole as a starting point to lay out the installation:
 - A. Use a T-square to measure $12\frac{5}{8}$ " to the **left** of the guide hole, then **up** $12\frac{11}{16}$ " to locate the top-left corner of the layout.
 - B. Starting from the top-left corner, mark the rectangular cutout (21 " W x $20\frac{1}{2}$ " H) and **remove only the shingles** in this area.
 - C. Mark an **11" diameter hole** centered on the guide hole. Cut this hole through the roof board(s).
 - D. Mark and cut a **1 1/4" diameter hole** through the roof board(s) where shown.

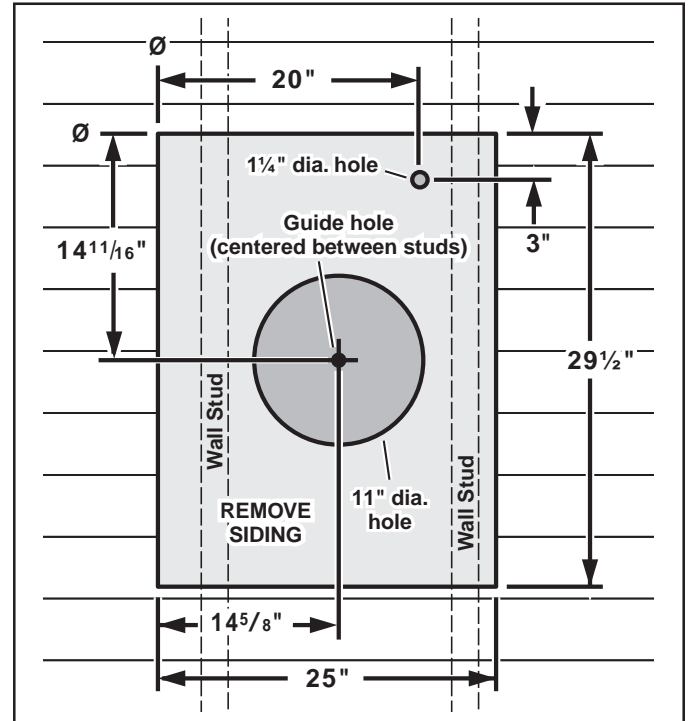


4. For flat roof installations, build a curb that will mount the blower at a minimum pitch of $\frac{2}{12}$. Discharge end of the blower should be pointed away from prevailing winds.

PREPARE THE INSTALLATION LOCATION

WALL INSTALLATIONS

1. Choose a position on the outside wall. Make sure that no wall studs, pipes or wires run through the opening area.
2. From inside, mark and drill a **guide hole** centered between **wall studs**.

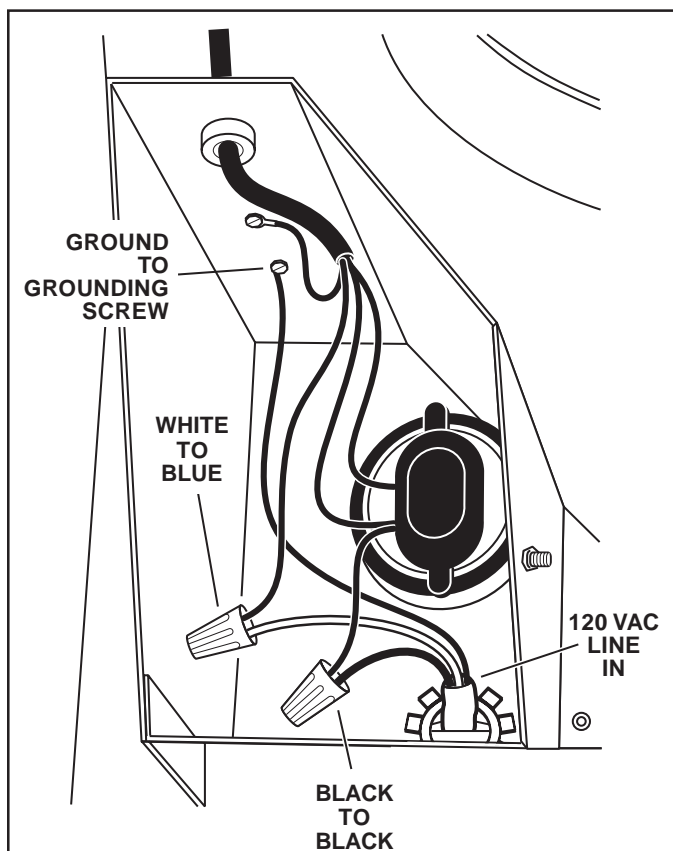


3. From the outside, use the guide hole as a starting point to lay out the installation:
 - A. Use a T-square to measure $14\frac{5}{8}$ " to the **left** of the guide hole, then **up** $14\frac{11}{16}$ " to locate the top-left corner of the layout.
 - B. Starting from the top-left corner, mark the rectangular cutout (25 " W x $29\frac{1}{2}$ " H) and **remove only the siding** in this area.
 - C. Mark an **11" diameter hole** centered on the guide hole. Cut this hole through the wall.
 - D. Mark and cut a **1 1/4" diameter hole** through the wall where shown.

INSTALL THE BLOWER

ROOF INSTALLATIONS

1. Remove the cover and screws.
2. Attach an appropriate U.L. approved cable connector in the hole at the rear of the wiring box.
3. Remove roofing nails from shingles around the TOP and SIDES of the cutout area only. Carefully lift the shingles to allow the back flashing sheet on the blower housing to fit under them.
4. Center the blower ring in the 11" diameter hole, making sure that the 1¼" diameter electrical wiring hole aligns with the hole in the wiring box.
5. Attach the blower to the roof with six (6) screws provided. It is recommended that the screws be located inside the blower housing. Drill pilot holes if necessary.
6. Using a good grade of roofing cement, seal all of the shingles around the housing and flashing sheet as well as the mounting screw heads.
7. Bring electrical wiring through the hole in the wiring box and secure it according to local codes.

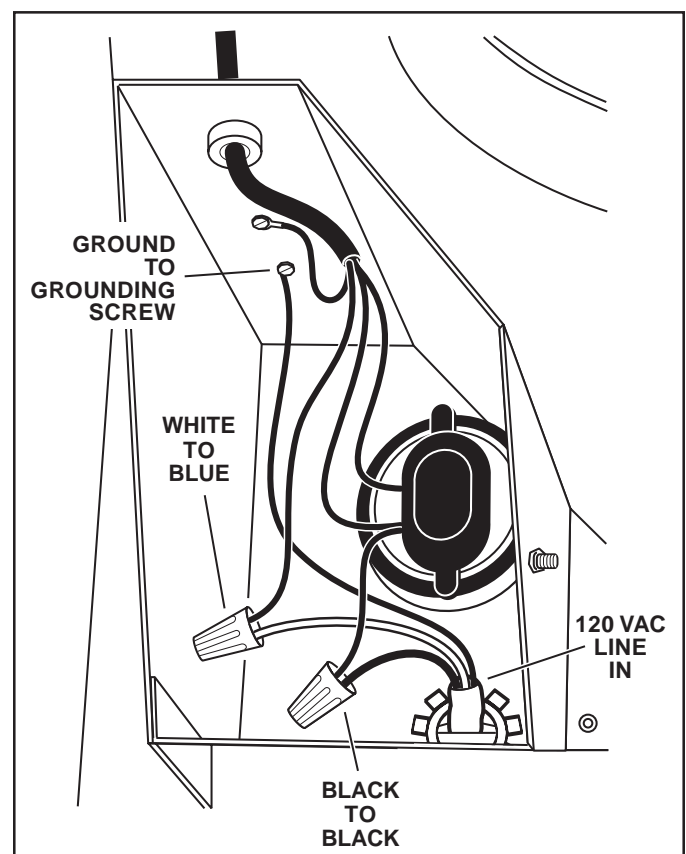


8. Make the electrical connections with the proper connector for the type of wiring being used. Connect black to black, white to blue, and the green or bare wire to grounding screw.
9. Replace cover and screws. Do not pinch wiring under the cover.
10. Make sure damper opens and closes freely.

INSTALL THE BLOWER

WALL INSTALLATIONS

1. Place a large bead of caulk on the back side of the housing all along the outer edges.
2. Center the blower ring in the 11" diameter hole, making sure that the 1¼" diameter electrical wiring hole aligns with the hole in the wiring box.
3. Attach blower to the wall with the six (6) screws provided. It is recommended that the screws be located inside the blower housing. Drill pilot holes if necessary.
4. Using a good grade of caulk, seal all around the mounting screw heads.
5. Bring electrical wiring through the hole in the wiring box and secure it according to local codes.



6. Make the electrical connections with the proper connector for the type of wire being used. Connect black to black, white to blue, and green or bare wire to grounding screw.
7. Replace cover and screws. Do not pinch wiring under cover.
8. Make sure damper opens and closes freely.
9. Top and side flanges of the back plate may be covered with trim strips. Do not block grille opening at bottom with trim. It will adversely affect performance of the blower.

SERVICE PARTS

Model 336

KEY NO.	PART NO.	DESCRIPTION
1	98009538	Cover
2	99100531	Foam Seal
3	98009539	Motor Support
4	98009541	Damper Flap (2 req.)
5	99140145	Damper Spring (2 req.)
6	98009537	Grille
7	99080594	Blower Assembly
8	99271345	Capacitor
9	99271222	Wire Assembly-Black
10	99100530	Terminal Boot
11	99390136	Capacitor Clamp
12	99400079	Bushing
13	99150478	Screw, 8-18 x 3/8 Ph Tr Hd (12 req.)
14	99170269	Screw, M6 x 1.0-16 (4 req.)
15	99250958	Washer, Lock, Int. Tooth, 1/4 (5 req.)
16	99150506	Screw, 12-24 x .312 SLT HWH #2
17	99270461	Cord Clamp
18	99260477	Nut, Whiz, 1/4-20 (9 req.)
19	99150471	Ground Screw, 10-32 x 1/2 SlT Hx Hd (2 req.)
20	99160411	Screw, 1/4-20 x 1/2 Ph Pan Hd (9 req.)

* Standard Hardware - may be purchased locally.
Order replacement parts by Part No. - NOT by Key No.

USE AND CARE

Disconnect electrical power supply and lock out service panel before cleaning or servicing this unit.

CLEANING

Remove cover and carefully vacuum blower and inside of housing. Be careful not to bend or otherwise damage blower wheel.

MOTOR LUBRICATION

The motor is permanently lubricated. Do not oil or disassemble motor.

