

**MODEL 157
CEILING HEATER**

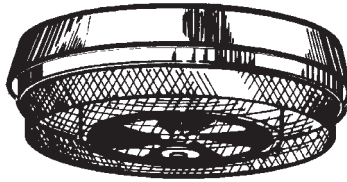


**READ AND SAVE
THESE INSTRUCTIONS**

**IMPORTANT
INSTRUCTIONS**

**READ ALL INSTRUCTIONS BEFORE
INSTALLING OR USING THIS HEATER.**

To reduce the risk of fire, electric shock, or injury to persons, observe the following:



1. Use this unit only in the manner intended by the manufacturer. If you have questions, contact the manufacturer at the address or telephone number listed in the warranty.
2. Before servicing or cleaning unit, switch power off at service panel and lock the service disconnecting means to prevent power from being switched on accidentally. When the service disconnecting means cannot be locked, securely fasten a prominent warning device, such as a tag, to the service panel.
3. Installation work and electrical wiring must be done by a qualified person(s) in accordance with all applicable codes and standards, including fire-rated construction codes and standards.
4. When cutting or drilling into wall or ceiling, do not damage electrical wiring and other hidden utilities.
5. This heater is hot when in use. To avoid burns, do not let bare skin touch hot surfaces. Keep combustible materials, such as furniture, pillows, bedding, papers, clothes, etc. and curtains at least 3 feet (0.9 m) from the front of the heater.
6. Extreme caution is necessary when any heater is used by or near children or invalids and whenever the heater is left operating and unattended.
7. Do not operate any heater after it malfunctions. Disconnect power at service panel and have heater inspected by a reputable electrician before reusing.
8. Do not use outdoors.
9. To disconnect heater, turn controls to off, and turn off power to heater circuit at main disconnect panel (or operate internal disconnect switch, if provided).
10. Do not insert or allow foreign objects to enter any ventilation or exhaust opening, as this may cause an electric shock or fire, or damage the heater.
11. To prevent a possible fire, do not block air intakes or exhaust in any manner.
12. A heater has hot and arcing or sparking parts inside. Do not use it in areas where gasoline, paint, or flammable vapors or liquids are used or stored.
13. Use this heater only as described in this manual. Any other use not recommended by the manufacturer may cause fire, electric shock, or injury to persons.
14. Install heater at least 12 inches from any adjacent wall.
15. To avoid electrical shock: Do not install unit in a tub or shower enclosure or any location where it may come in contact with water. Never place a switch where it can be reached from a tub or shower.
16. This product is designed for horizontal ceiling installation only. **DO NOT MOUNT THIS PRODUCT ON A WALL OR SLOPED CEILING.**
17. Do not connect heater to dimmer switch or speed control.
18. Provide heater with a SEPARATE 15 AMP (minimum), 120 VAC circuit.
19. This product must be grounded.

CONTINUED ON PAGE 2

IMPORTANT INSTRUCTIONS (CONT.)

READ ALL INSTRUCTIONS BEFORE INSTALLING OR USING THIS HEATER.

20. Ceiling heaters are intended to provide supplemental heat and not to take the place of a home's main heat source.
21. It is recommended that heater operation is controlled with a choice of Broan wall controls, available separately. (Model 86W Line-Voltage Thermostat or Model 61W/61V 15-Minute Timer.

SAVE THESE INSTRUCTIONS

PLANNING

This heater is intended to be used to supply supplemental heat from a ceiling location in new or existing construction.

Choose a location where edge of heater will be at least 12" from any adjacent vertical surface.

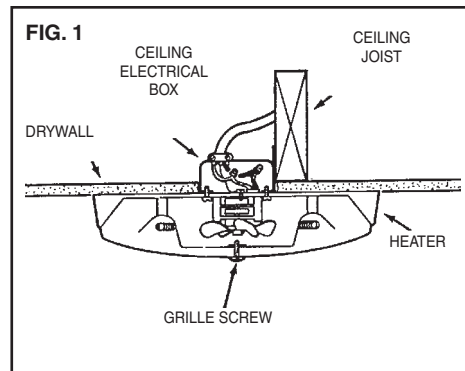
The heater can be operated using an ON/OFF switch, timer (Broan Model 61W/61V 15-Minute Timer), or thermostat (Broan Model 86W Line-Voltage Thermostat). Purchase the control separately.

Plan to supply the heater with proper line voltage and appropriate power cable for its maximum wattage rating.

The heater attaches directly to any standard 3½" and 4" round, or 4" octagon ceiling electrical box.

Follow these basic steps when installing this heater: (FIG. 1)

- Mount electrical box in ceiling and attach power cable to it.
- Connect wiring and fasten heater to electrical box.
- Install grille.



INSTALLATION

WARNING: To reduce the risk of fire, do not store or use gasoline or other flammable vapors and liquids in the vicinity of the heater.

CAUTION: High temperature, risk of fire, keep electrical cords, drapery, furnishings, and other combustibles at least 3 feet (0.9 m) from the front of the heater and away from the side and rear.

1. Mount electrical box. (FIG. 2)

Position electrical box flush or slightly recessed in ceiling and mount it securely.

Installation work and electrical wiring must be done by a qualified person(s) in accordance with all applicable codes and standards, including fire-rated construction codes and standards.

2. Connect wiring. (FIG. 3)

Run electrical cable into box and secure with appropriate connector. Allow 6" of wire inside box.

3. Wire the heater. (FIGS. 4 & 5)

Attach electrical power cable to heater. Connect black to black, white to white, and green or bare wire to ground screw.

Complete the wiring by adding a wall control. Follow the pictorial or schematic diagram.

FIG. 2

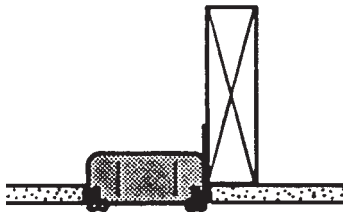


FIG. 3

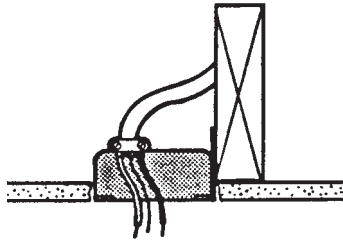


FIG. 4

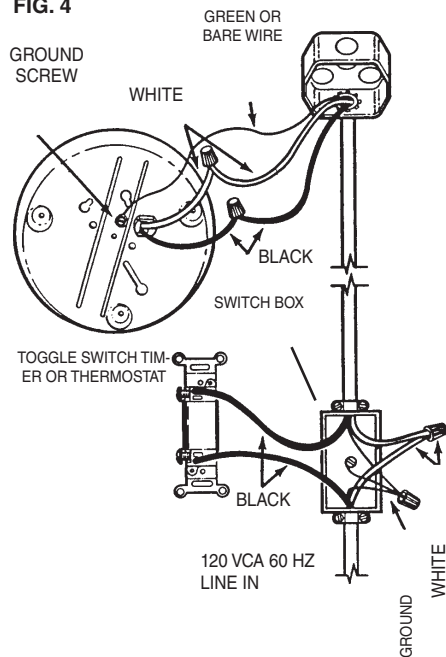
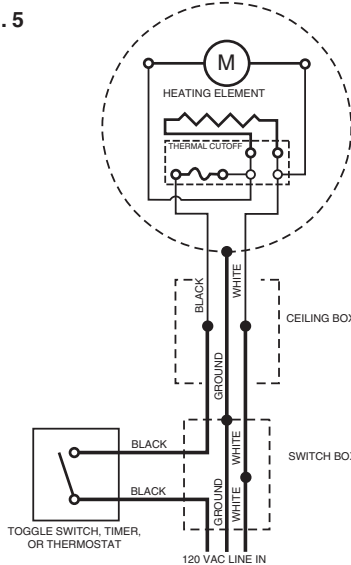


FIG. 5



4. **Attach heater to electrical box. (FIG. 6)**
Tuck wires up into electrical box. Fit screw heads from electrical box into appropriate keyholes, as shown.
Twist heater clockwise to hold it in place. (FIG. 7)
Tighten two (2) electrical box screws. (FIG. 8)
5. **Install grille. (FIG. 9)**
Use grille screw (provided) to attach grille, as shown.

OPERATION

Before using heater, make sure heater has been properly installed according to installation steps beginning with the "PLANNING" section.

MAINTENANCE

LUBRICATION

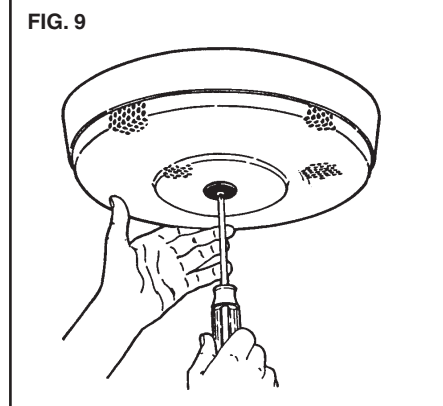
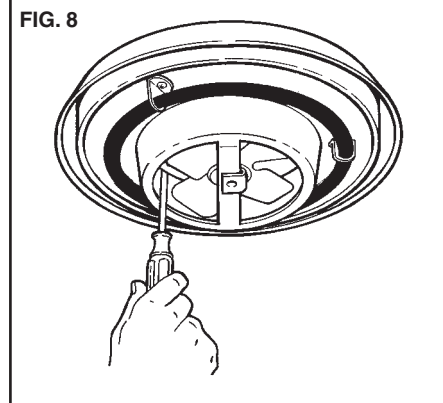
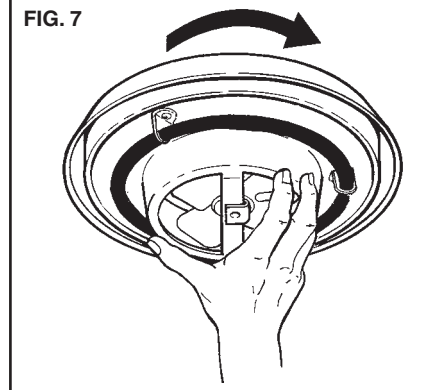
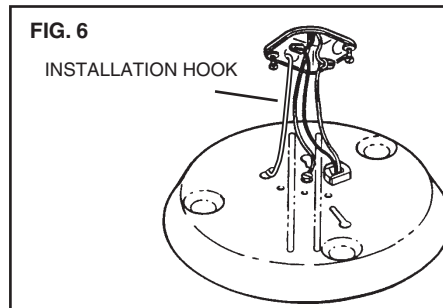
The heater is permanently lubricated and never needs oiling or disassembly.

CLEANING

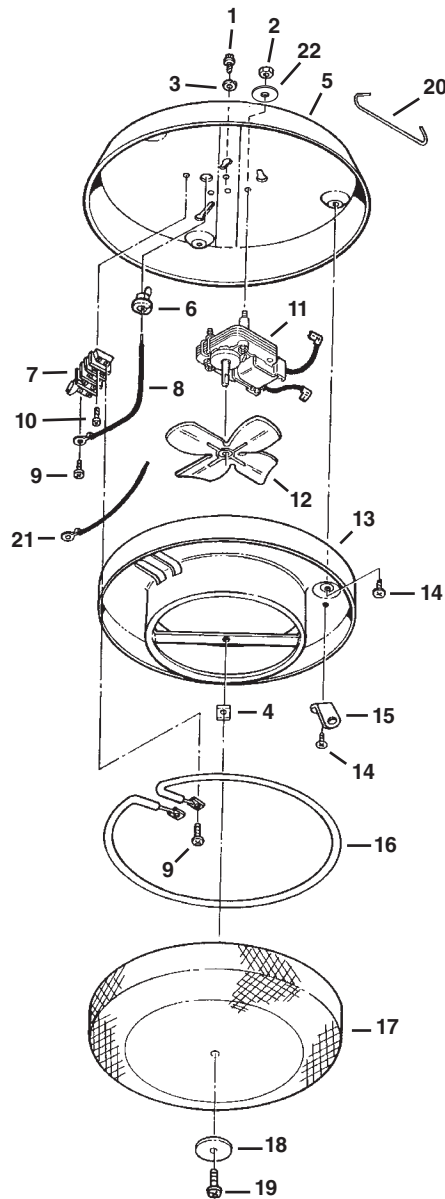
Clean heater once a month as follows:

1. Turn off power at service panel.
2. Make sure heating element is cool.
3. Use a soft brush attachment to gently vacuum grille openings or wipe grille clean with a soft cloth.
4. Restore power.

CAUTION: METAL AND ELECTRICAL PARTS SHOULD NEVER BE IMMERSSED IN WATER.



SERVICE PARTS
MODEL 157



KEY NO. NO. CODIGO	PART NO. NO. PIEZ	DESCRIPTION	
1	99150611	Green Ground Screw, #8B-18 x 3/8" Hex Hd.	
2	04200-14	#8-32 Hex Nut w/serrated Washer (2 Req.)	
3	05100-13	Cup Washer	
4	04126-00	#8B Sheet Metal Nut - "U" Type	
5	98008740	Ceiling Pan	
6	02159-00	Bushing	
7	99270721	Terminal Block	
8	02144-01	Black Wire Assembly	
9	99160313	#6-32 x 1/4" Pan Hd. Mach. Screw (4 Req.)	
10	99150527	#8B-18 x 1/2" PH Pan Hd. Screw	
11	99080437	Motor	
12	06116-00	Fan Blade	
13	98008741	Reflector	
14	99150478	#8B-18 x 3/8" PH Truss Hd. Screw (6 Req.)	
15	98008742	Element Support (3 Req.)	
16	99270744	Element	
17	25045-00	Grille	
18	99090680	Nameplate	
19	99150491	#8B-18 x 3/8" Phillips Pan Hd. Screw	
20	06317-00	Installation Hook	
21	02144-02	White Wire Assembly	
22	05100-10	Washer (2 Req.)	

Order replacement parts by "PART NO." - NOT by KEY NO."