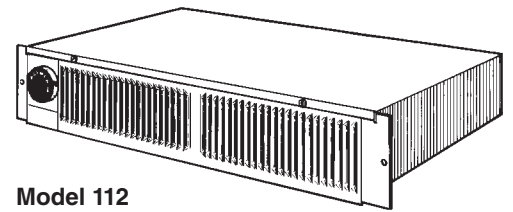


KICKSPACE HEATERS MODELS 112 & 114



Model 112

Low-profile design provides floor-level heat from out-of-the-way locations.

FEATURES

- Attractive white finish
- Vertical louvers – disperse heat evenly
- Front-mounted, snap action, bimetallic thermostat (Model 112 only)
- Heavy-duty, steel sheathed, plate-finned element
- Factory-wired for 240 VAC, 1500W
- Field-convertible to operate on 120 VAC, 750 or 1500W
- Mounts into standard kickspaces beneath cabinets, vanities, counters, stairways, etc.

ACCESSORIES (purchase separately)

- Model 87W Line-Voltage Thermostat
- Model 59W / 59V 60 Minute Timer
- Model 61W / 61V 15-Minute Timer
- Model 90 Built-in Thermostat Kit (Model 114 only)

SPECIFICATIONS

| VOLTS | WATTS | AMPS | BTU/HR | SHIPPING WEIGHT |
|------------|-------------|------------|-------------|-----------------|
| 240 | 1500 | 6.3 | 5120 | 12 lbs. |
| 120 | 750 | 6.3 | 2560 | |
| 208 | 1125 | 5.4 | 3840 | |
| 120 | 1500 | 12.5 | 5120 | |

BOLD ratings are factory-wired.

TYPICAL SPECIFICATION

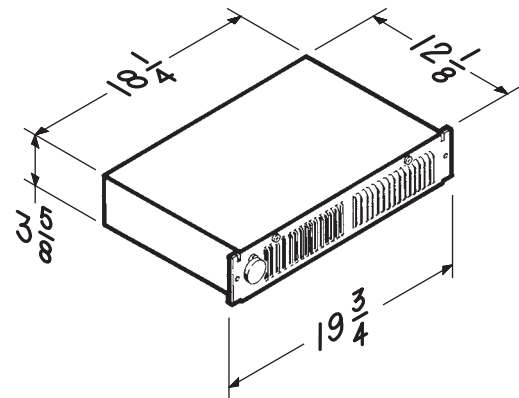
The heater shall be Broan Model 112 (Model 114).

Unit shall have heavy-gauge steel housing and grille with white finish.

Heater will have heavy-duty, steel-sheathed, plate-finned element. Heater will have front-mounted thermostat (Model 112 only).

Heater to deliver 1500 watts of fan-forced heat from 240 VAC circuit. It must be convertible to operate on 120 VAC, full or half-wattage.

Heater shall be U.L. Listed.



Cutout dimension: 18-3/8" x 3-5/8"

