



Betty Crocker™

12-CUP Coffee Maker



Table of Contents

- Important Safeguards 3
- Before Your First Use 6
- Know the Parts of Your Coffee Maker 7
- Using Your Coffee Maker.....8
- Decalcifying.....11
- Cleaning Your Coffee Maker.....12
- Carafe Care13

HOUSEHOLD USE ONLY

BC-2806

IMPORTANT SAFEGUARDS

When using electrical appliances, basic safety precautions should always be followed to reduce the risk of fire, electric shock, and/or injury to persons, including the following:

1. **Read all instructions carefully before use.**
2. To protect against electric shock, do not immerse cord, plug, or unit in water or any other liquid.
3. Unplug from outlet when not in use and before cleaning. Allow to cool before putting on or taking off parts and before cleaning the appliance.
4. To disconnect, turn all controls to OFF, then remove plug from wall outlet.
5. Do not operate any appliance with a damaged cord or plug, or after the appliance malfunctions or has been dropped or damaged in any manner. Return appliance to authorized service facility for examination, repair or adjustment.
6. Close supervision is necessary when any appliance is used by or near children. Not recommended for use by children.
7. Do not use this appliance for anything other than its intended use.
8. Do not touch hot surfaces. Use handles or knobs.
9. The use of accessory attachments not recommended by the appliance manufacturer may result in fire, electric shock, or personal injury, and will void warranty.
10. Do not use outdoors.
11. Do not let cord hang over edge of table or counter, or touch hot surfaces, including the stove.
12. Do not place on or near a hot gas or electric burner, or in a heated oven.
13. Scalding may occur if the cover is lifted or removed during the brewing cycle.

14. Snap the cover securely to the carafe before serving.
15. The carafe is designed for use with this appliance. Never use the carafe on a range top or in a conventional oven. Do not put carafe into a microwave oven.
16. Do not set a hot carafe on a wet or cold surface.
17. Do not use a cracked carafe, or a carafe that has a loose or weakened handle.
18. Do not clean the container (carafe) with cleansers, steel wool pads, or other abrasive materials.
19. Do not lift water reservoir lid or remove filter basket until brewing is complete and all parts have cooled.
20. **WARNING:** To reduce the risk of fire or electric shock, do not remove any service covers. There are no user serviceable parts inside the coffee maker. Only authorized personnel should repair the coffee maker.
21. Do not twist, kink or wrap the power cord around the appliance as this may cause the insulation to weaken and split, particularly in the location where it enters the unit.
22. **Do not leave appliance unattended while in use.**

SAVE THESE INSTRUCTIONS HOUSEHOLD USE ONLY

POWER CORD INSTRUCTIONS

1. A short power-supply cord is provided to reduce the hazard resulting from entanglement or tripping over a long cord.
2. Extension cords may be used if care is exercised. If it is necessary to use an extension cord, it should be positioned so that it does not drape over the counter or tabletop where it can be pulled on by children or tripped over unintentionally.
3. The electrical rating of the extension cord must be the same or more than the wattage of the appliance (the wattage is shown on the rating label located on the underside or back of the appliance).
4. Avoid pulling or straining the power cord at outlet or appliance connections.

POLARIZED PLUG

1. Your appliance is equipped with a polarized plug (one blade is wider than the other).
2. To reduce the risk of electrical shock, this plug is intended to fit into a polarized outlet only one way.
3. If the plug does not fit fully into the outlet, reverse the plug. If it does not fit, please consult a qualified electrician. Do not attempt to defeat this safety feature by modifying the plug in any way.

WARNING: Improper use of the power cord may result in electric shock. Consult a qualified electrician if necessary.

CAUTION: Do not operate appliance if the line cord is damaged or if the appliance works intermittently or stops working entirely.

Before Your First Use

Carefully unpack your coffee maker and remove all packaging materials. To remove any dust that may have accumulated during packaging, wipe the unit with a clean, damp cloth.

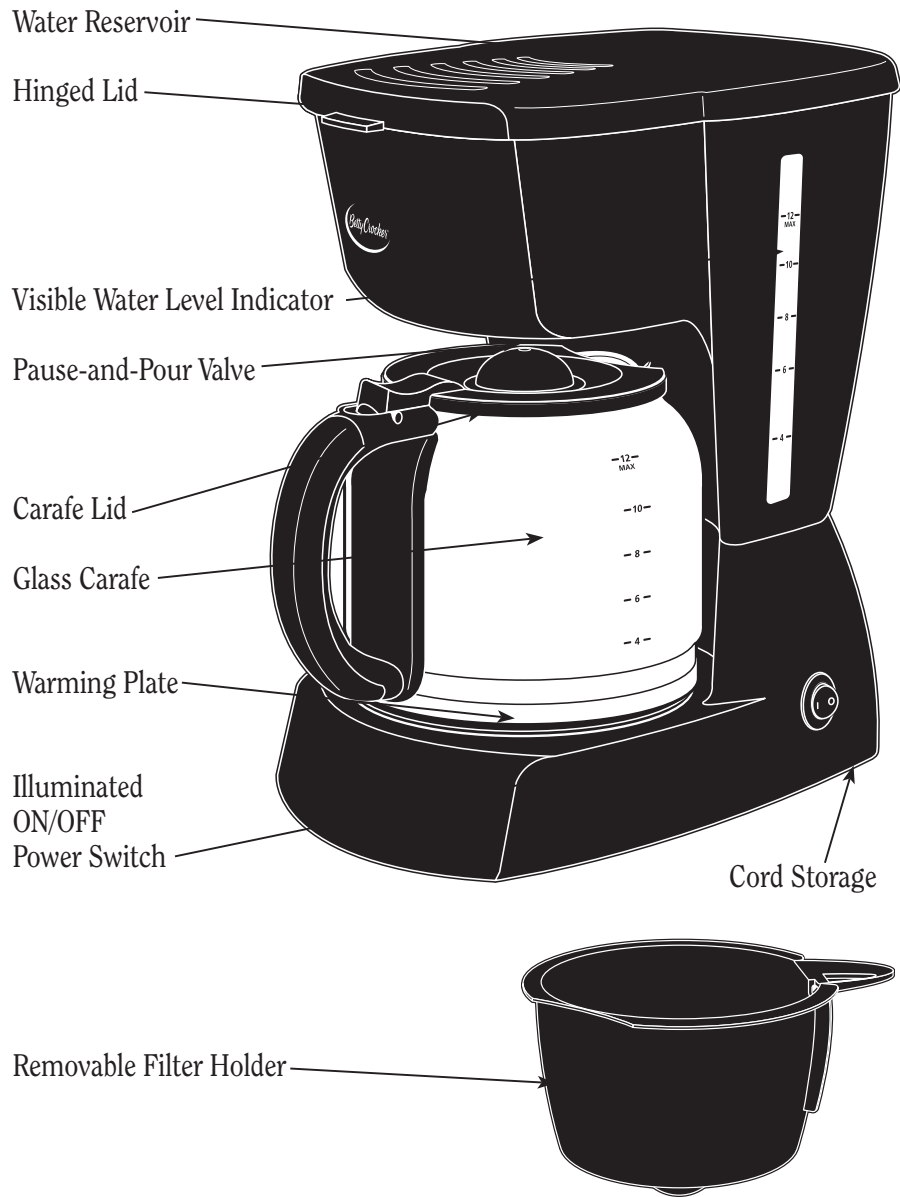
WARNING: Do not immerse the unit in water or any other liquid. Wash the carafe with lid and removable filter holder with warm, soapy water. Rinse and dry. Do not use harsh detergents or abrasive cleansers.

NOTE: We recommend that prior to brewing your first pot of coffee, you “brew” cold water only, without ground coffee or a paper filter. This will remove any dust that may have settled inside the coffee maker. When all the water has brewed into the carafe, switch the coffee maker off. Allow the coffee maker to cool for 15 minutes, discard the water from the carafe, and rinse.

IMPORTANT: Use only cold water – your coffee maker’s automatic brewing system has been designed for cold water only.

WARNING: Never return an empty carafe to the warming plate if it is still warm. Never rinse your carafe with cold water as a sudden change in temperature from hot to cold could result in a cracked carafe.

Know the Parts of Your Coffee Maker



RATING: 120V, 60Hz, 900 WATTS, AC ONLY

Using Your Coffee Maker

1. Place your coffee maker on a clean, flat, level surface, such as a countertop. Plug the unit into a working 120V 60 Hz AC-only outlet.
2. Open the hinged lid. Inside, you will find the removable filter holder. Using the handle, lift the removable filter holder out of the coffee maker.
3. Insert a paper filter or a permanent basket-style filter (not included) into the removable filter basket.

NOTE: This coffee maker uses a 10-12 cup paper basket-style filter.

4. Place the desired amount of ground coffee into the filter. See chart below to determine how much coffee to use.

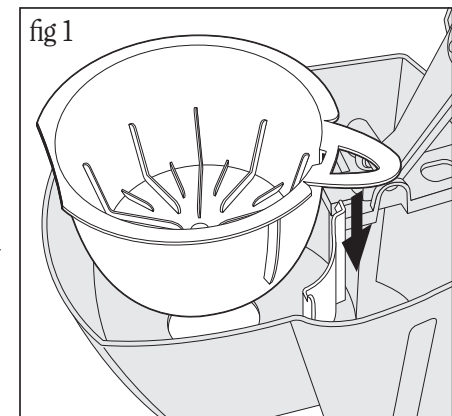
NOTE: We recommend using coffee ground specifically for automatic drip coffee makers. After using your drip coffee maker a few times you may adjust the amount of ground coffee to suit your own taste.

Recommended amounts of coffee

NUMBER OF CUPS	RECOMMENDED GROUND COFFEE
2	2 Tablespoons
4	4 Tablespoons
6	6 Tablespoons
8	1/4 cup
10	1/4 cup & 2 Tablespoons
12	1/2 cup

5. Replace the removable filter holder. Be sure the removable filter holder is seated completely in the coffee maker, and close the lid (fig 1).
6. Fill the carafe with cold water up to the marked level for the desired amount of coffee.

IMPORTANT: Use only cold water. Your coffee maker's automatic brewing system has been designed to work with cold water only.



7. Open the hinged reservoir lid and empty the water from the carafe into the water reservoir. Close the hinged reservoir lid.
8. Place the carafe with the lid in place on the warming plate.
9. Press the power switch to ON (I). The ON light will illuminate, indicating that your coffee maker has begun the brew cycle.
10. When your coffee maker finishes brewing, it will automatically switch over to a warming mode, which will continue to keep your coffee warm.
11. **To turn off your coffee maker, press the power switch to OFF (O). The light will go out, indicating that your coffee maker is now off.**
12. Always ensure your coffee maker is turned off and unplugged when not in use.

WARNING: Be sure to turn your coffee maker to the OFF (O) position when the carafe is empty or when you are no longer using your coffee maker. Unplug the power cord when not using the coffee maker.

WARNING: Coffee maker will remain ON until switch is turned to OFF (O). Do not leave empty carafe on heated warming plate, otherwise the carafe is liable to crack.

WARNING:

- To avoid risk of personal injury or damage to property as a result of overflow, be sure that the carafe is centered under the pause-and-serve valve during brewing cycle.
- Brewed coffee and grounds, both in the filter holder and carafe, are very hot. Handle with care to avoid scalding.
- If the filter holder overflows, or if the filter holder fails to drain into carafe during brew cycle, do not open or handle the filter holder. Unplug coffee maker, and wait for contents to cool before handling.

Pause and Pour Feature

Your coffee maker has been designed with a pause and pour feature. If you wish, at any time during the brewing cycle you may temporarily remove the glass carafe from the unit and pour a cup of hot coffee (this feature allows you up to 30 seconds to do so). The brewing cycle will be interrupted and no coffee will drip from the filter basket. Simply replacing the carafe on the warming plate will restart the brewing process.

WARNING: Return the carafe within 30 seconds to the warming plate if removed during brewing to prevent overflow and possible injury. If the brew basket overflows or fails to empty into the carafe, do not open the brew basket. Turn off the coffee maker. Unplug the coffee maker and wait for the contents to cool before handling.

Decalcifying

Calcium build-up frequently occurs in drip coffee makers and will clog your unit. This build-up is normal and is caused by minerals commonly found in drinking water. Periodically, your coffee maker will need cleaning to remove any calcium or mineral deposits that might have formed. You will know that your coffee maker requires decalcifying when you notice an obvious slowdown in brewing time.

We recommend decalcifying your coffee maker every two months or at any time the brewing time slows down, or when you begin to notice excessive steaming.

If you live in areas with very hard water, we suggest descaling every month or so to remove excess calcium.

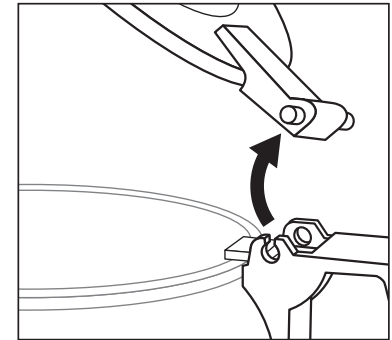
We recommend decalcifying your coffee maker as follows, using a solution of white vinegar and cold water. A solution of 1/2 cup white vinegar in one carafe of cold water works best.

1. Pour the vinegar solution into the water reservoir, making sure that the empty, removable filter holder (without a paper filter) is clicked into place.
2. Close the hinged reservoir lid. Put empty carafe onto the warming plate.
3. Switch the coffee maker on and allow it to “brew” the vinegar solution.
4. When the vinegar solution has finished brewing, empty the carafe and rinse it out with clean, warm water.
5. Refill the water reservoir with cold water and run another “brew” cycle. This will rinse out any remaining vinegar solution. If necessary, a second “brew” of water can be performed.
6. Be sure to turn off coffee maker and unplug it when you are done.

Cleaning Your Coffee Maker

WARNING: Be sure to unplug this appliance before cleaning. To protect against electric shock, do not immerse cord, plug or unit in water or any other liquid.

To remove the cover from the carafe, hold the carafe firmly by its handle. With your other hand, raise the carafe handle to a 45° angle. Gently ease the side tab of the carafe lid out of the open groove. The side tab on the other end of the carafe handle will pop out. The carafe and carafe cover may be washed with warm, soapy water, or placed on the top rack of the dishwasher only. The removable filter holder and permanent filter may also be washed with warm, soapy water, or placed on the top rack of the dishwasher only. Do not place any other part of your coffee maker in the dishwasher. Never use harsh detergents or abrasive cleansers on any part of your coffee maker.



IMPORTANT: Never immerse the warming stand in water or any other liquid. Do not try to clean the inside of the water reservoir with a cloth, as this will leave a residue of lint and may clog your coffee maker. Just rinse with cold water periodically.

To clean the exterior surface of your coffee maker, rinse a soft cloth in warm water and squeeze out excess water. Wipe the surface of the coffee maker. Dry thoroughly and polish with a soft, dry cloth.

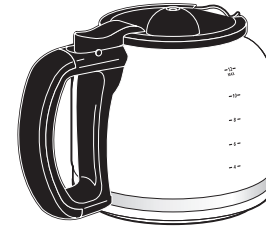
Carafe Care

NOTE: A damaged carafe may result in possible burns from hot liquid.

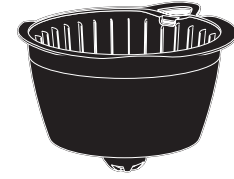
To avoid breakage:

- Do not allow liquid to evaporate from the carafe while on the nonstick warming plate or heat the carafe when empty.
- Discard the carafe if chipped, cracked or damaged in any manner.
- Never use abrasive scouring pads or cleaners; they will scratch and weaken the glass.
- Do not place the carafe on or near a gas or electric burner, in a heated oven, or in a microwave oven.
- Avoid rough handling and sharp blows.
- Avoid drastic temperature changes. Never place a hot carafe on a cold surface.

REPLACEMENT PARTS



Carafe



Removable Filter Basket