

TOTE-ALONG OWNER'S INSTRUCTIONS 15 GALLON - P/N 11747

Drain water hook-up:
Connect Tote-Along to coach with filler hose assembly. Vent Tote-Along by loosening 3" cap.

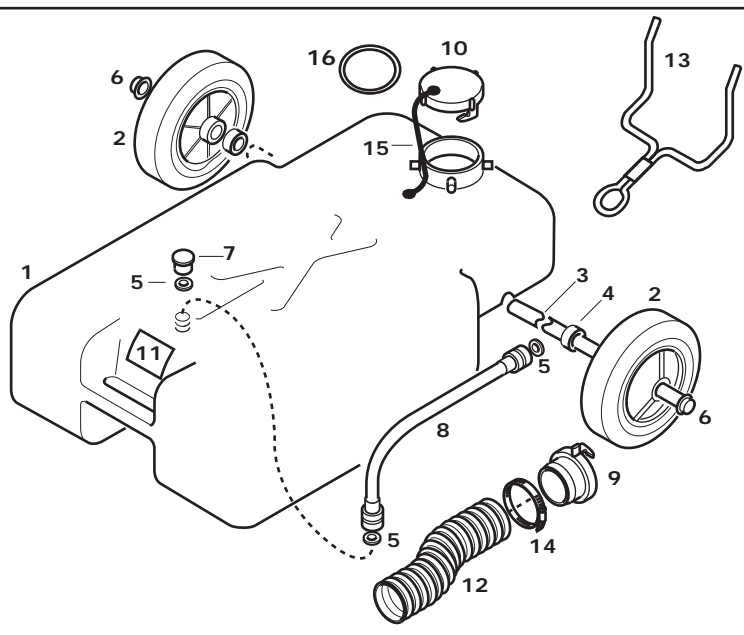
Holding tank hook-up:
Connect Tote-Along to coach gate valve with straight bayonet adapter and 3" sewer hose.

Emptying: Un-hook Tote-Along from coach. Pull to approved dump station. Vent Tote-Along by loosening 3/4" cap. Tip and dump.

Cleaning: Attach hose to filler and flush tank throughly.

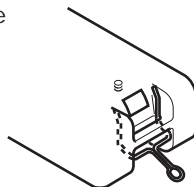
TOTE-ALONG PARTS LIST: 15 GALLON P/N 11747

ITEM	PART NO.	REQ'D	DESCRIPTION
1	20744	1	TANK 15 GALLON
2	20686	2	WHEEL (8.77")
3	20743	1	AXLE 15 GALLON
3	20731	1	AXLE 22 GALLON
4	617-0020	2	BUSHING
5	10225	3	HOSE WASHER
6	615-0001	2	PUSH NUT (5/8")
7	11576	1	HOSE CAP (3/4")
8	15655	1	FILLER HOSE ASSEMBLY
9	26060	1	ADAPTOR ASSEMBLY (3")
10	26048	1	CAP (3")
11	17274	1	WARNING LABEL
12	12316	1	SEWER HOSE (5')
13	16362	1	TOW HANDLE
14	10400	1	HOSE CLAMP
15	26097	1	STRAP (3")
16	26096	1	GASKET

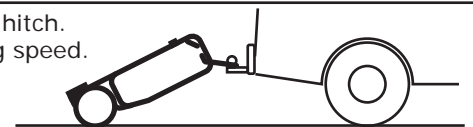


ACCESSORY FOR 15 GALLON - TOW BRACKET

Put tow bracket in place on tank. Be sure tank caps are tight.



Put tow bracket loop over ball hitch. Do not tow faster than walking speed.



Note: Towing a Tote Tank in excess of walking speed can result in considerable damage to tank or wheels, damage of this nature is not covered under warranty.