

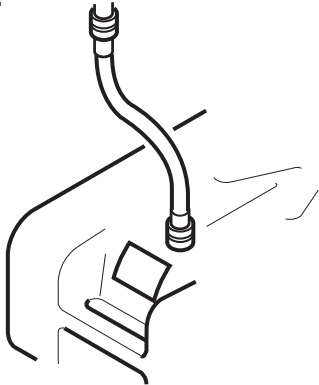
TOTE-ALONG OWNER'S INSTRUCTIONS

10 GALLON - P/N 10893

Assembly/Operating Instructions:

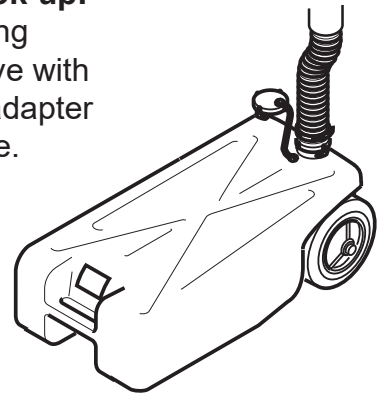
Drain water hook-up:

Connect Tote-Along to coach with filler hose assembly. Vent Tote-Along by loosening 3" cap.

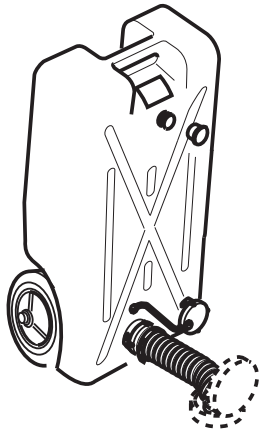


Holding tank hook-up:

Connect Tote-Along to coach gate valve with straight bayonet adapter and 3" sewer hose.

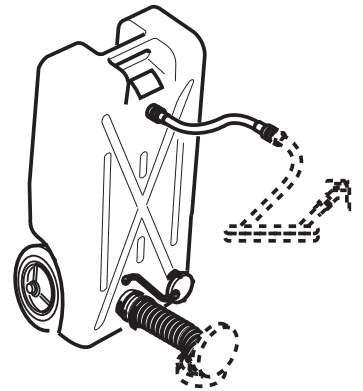


Emptying: Un-hook Tote-Along from coach. Pull to approved dump station. Vent Tote-Along by loosening 3/4" cap. Tip and dump.



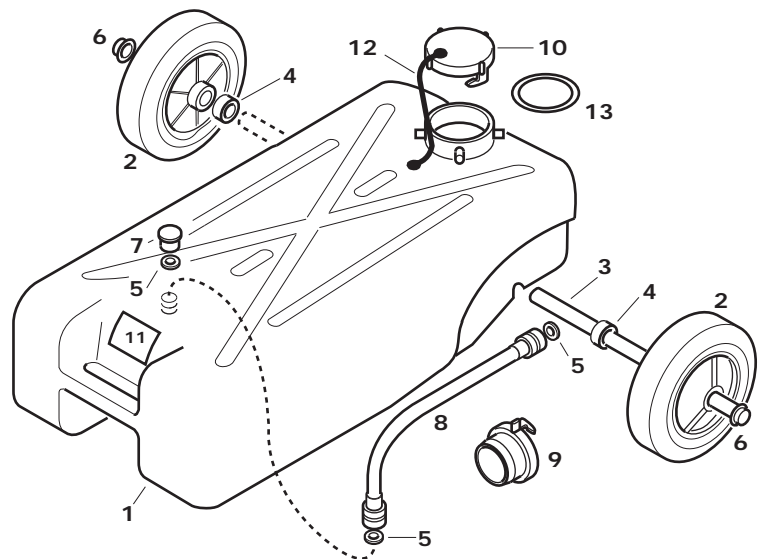
Cleaning:

Attach hose to filler hose assembly and flush tank thoroughly.



Parts List:

ITEM	PART NO.	REQ'D	DESCRIPTION
1	10894	1	TANK 10 GALLON
2	10895	2	WHEEL (5.5")
3	10896	1	AXLE
4	80515	2	BUSHING
5	10225	3	HOSE WASHER
6	10898	2	PUSH NUT (3/8")
7	11576	1	HOSE CAP (3/4")
8	15655	1	FILLER HOSE ASSEMBLY
9	26060	1	ADAPTOR ASSEMBLY (3")
10	26048	1	CAP (3")
11	17274	1	WARNING LABEL
12	26097	1	STRAP (3")
13	26096	1	GASKET



barker