

IMPORTANT: READ THE FOLLOWING INFORMATION BEFORE OPERATING YOUR:



23216

LOCK-ARM STABILIZING BAR

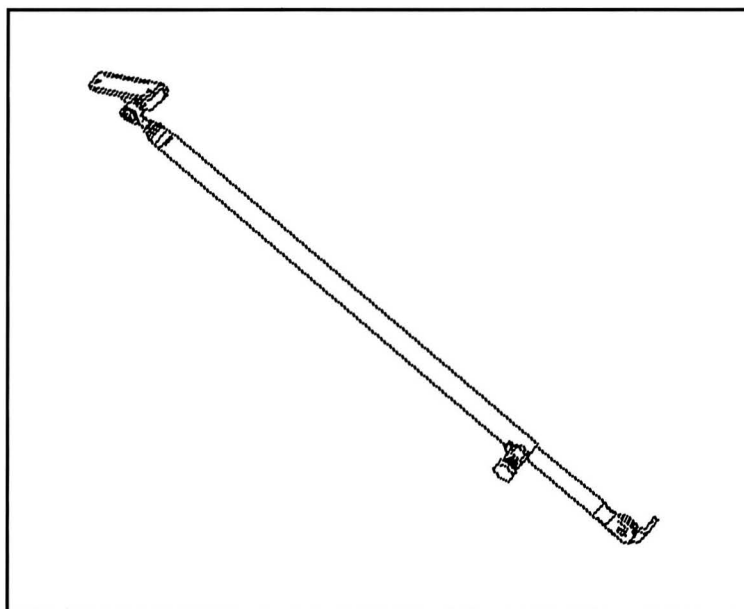
FOR USE ON TRAVEL TRAILERS AND 5TH WHEEL TRAILERS

INSTALLATION AND OPERATING INSTRUCTIONS

TOOLS NEEDED:

- 9/16" Socket
- 9/16" Open End Wrench
- 3/8" Nut Driver or Power Drill
- 3/16" Drill Bit

WARNING: BEFORE DRILLING HOLES INTO THE FRAME, BE SURE THERE ARE NO ITEMS THE DRILL BIT WILL DAMAGE INSIDE OR BEHIND FRAME (i.e.: electrical lines, braking or towing related items, holding or water tanks, etc.) ALSO CHECK WITH THE TRAILER MANUFACTURER OR SELLING DEALER TO MAKE SURE NO WARRANTIES ARE AFFECTED BY DRILLING INTO THE TRAILER FRAME.



DETERMINING CORRECT MOUNTING LOCATION

Determine a location on the trailer frame to mount the frame bracket on the Lock-Arm.

The area can be on the side of the frame (Figure 1) or the bottom of the frame (Figure 2) depending on the ability for the Lock-Arm to operate freely in the up and down direction. (One thing to consider when picking a mount location should be the vertical position the jack foot or pad will move up and down. If the jack is mounted at an angle to the frame, the frame bracket can be also mounted at a similar angle to align the Lock-Arm more evenly with the jack's operation.) The center of the frame bracket must mount at least 27" from the spot on the jack where the Lock-Arm will attach and should be also at least 4" x 1" in area size to allow the bracket to fit completely flat against the frame.

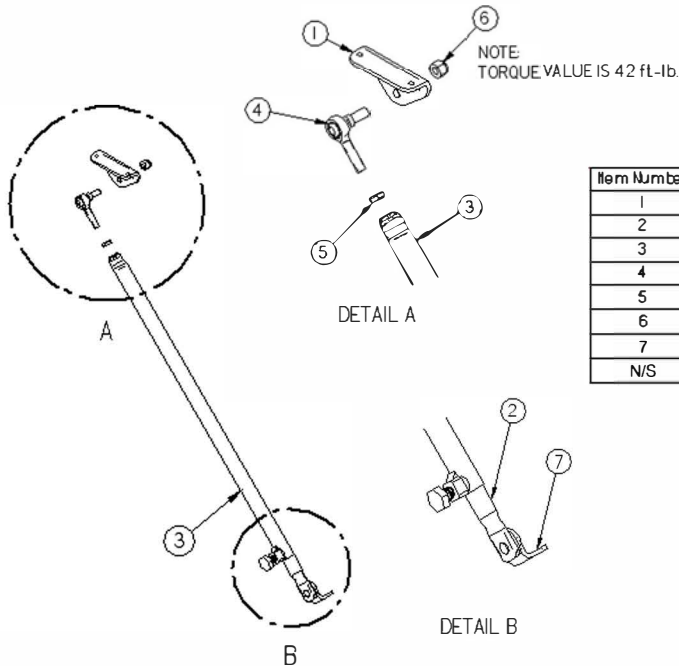


Figure 1



Figure 2

PARTS LIST



Item Number	Part Number	Part Description	Qty.
1	P852821	FRAME MOUNT BRACKET - LOCK ARM	1
2	P852823	INNER TUBE - LOCK ARM	1
3	P852822	OUTER TUBE - LOCK ARM	1
4	503137	ROD END, 3/8-24	1
5	503135	NUT, 3/8-24, HEX JAM	1
6	503136	NUT, 3/8-24, HEX NYL LOCK	1
7	P852824	FOOT MOUNT BRACKET, INNER TUBE	1
N/S	852868	HARDWARE PACK	1

BOLT-ON INSTALLATION INSTRUCTIONS

STEP 1: Park and level your travel trailer or fifth-wheel trailer. Prevent wheels from rolling by using tire chocks.

STEP 2: After identifying the desired location on the frame; use the frame bracket as a template by marking the center of the hole that is closest to the jack location with a pencil or marker that can be easily seen. Once marked, you may pre-drill the hole using a 3/16" drill bit for easier mounting or you can also attach without pre-drilling using the included 1/4" self-tapping screw (3/8" nut driver required) (See Figure 3 & 4). Loosely tighten this screw to secure the bracket in place. This will allow you to maneuver the frame bracket to the correct position against the frame once the foot mount bracket is mounted to the jack foot or pad in Step 4.

STEP 3: Determine a location to mount the foot mount bracket on the jack's foot, leg or pad. This location should be at the lower end of the leg closest to the spot where it touches the ground. If the jack doesn't have a foot pad already installed, most jacks will have a mounting hole that runs through the end of the leg for an optional foot pad. Use the included 3/8" bolt and nut to secure the foot mount bracket to the foot or leg (9/16" wrench or socket required) (See Figure 5 & 6). If the jack leg has a foot pad already attached, remove the pad's mounting bolt & nut and then reattach including the foot mount bracket using the same mounting bolt.

If there is not a hole on the jack leg to mount the foot mount bracket, you will need to drill a hole on the side of the foot or leg and use the included 3/8" bolt to attach the Lock-Arm's foot mount bracket (3/8" drill bit required). Again, this hole should be at the lower end of the jack leg closest to the spot it touches the ground.

STEP 4: Once the foot mount bracket is secured tightly to the jack leg or foot pad, operate the jack up and down to make sure the Lock-Arm moves freely with the jack and does not bind or encounter any obstructions. If all of the clearances are okay, secure the frame bracket by tightening the screw that was installed on Step 3. Repeat step 3 to install the second screw in remaining hole of the frame bracket. **DO NOT OVER TIGHTEN THE SCREWS AS YOU CAN STRIP THE MOUNTING HOLES.**

STEP 5: Repeat steps 2 thru 4 on second jack to complete installation of Lock-Arm kit.

BOLT-ON INSTALLATION INSTRUCTIONS (CONTINUED)

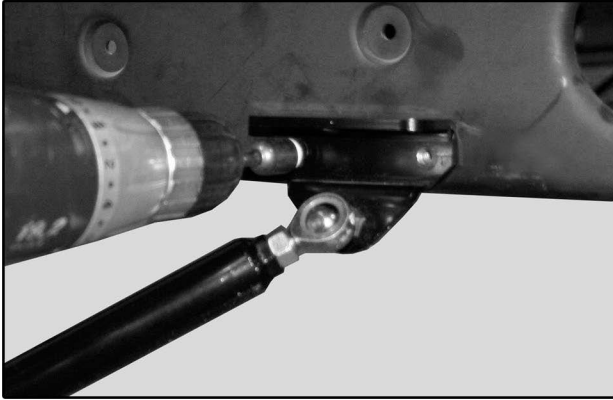


Figure 3

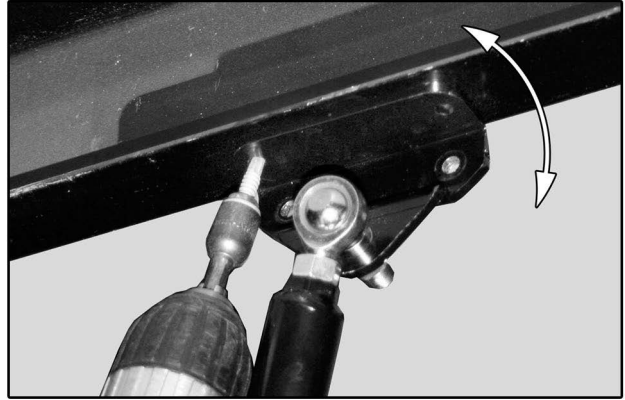


Figure 4



Figure 5



Figure 6

FIFTH WHEEL LANDING GEAR INSTALLATION

The Lock-Arms are an excellent bolt-on addition to 5th wheel landing gear jack legs. Landing gear contains three legs that by design have tolerances between each legs allowing movement to amplify throughout the camper while in use. The Lock-Arms add rigidity to the landing gear while in the down position.

Use the frame bracket installation under Step 2 of the previous section.

Side-to-side installation: Using the 3/8" bolt, attach the foot mount bracket to the landing gear drop leg. Usually, there are multiple holes on the drop leg in the side-to-side direction. The 3/8" bolt can be used in the lowest of these holes. Secure the bolt using the 3/8" lock nut (See Figure 7).

Front-to-back installation: Occasionally, there are pre-drilled holes in the drop leg going front-to-back. If so, install the foot mount bracket to landing gear leg as detailed above. If there are not holes already on the drop leg, you will need to drill a 3/8" hole thru the drop leg to allow front-to-back installation (See Figure 7).



Figure 7

Optional front-to-back installation: To avoid drilling a 3/8" hole in the drop leg, you can remove the 90 degree foot mount bracket by drilling out the rivet securing the bracket to the inner tube of the Lock-Arm. This can be done by using a 3/8" drill bit (See Figure 8). The hole that is exposed on the flat tab of the inner tube must be enlarged using the 3/8" drill bit so it will accept the 3/8" bolt. Once the foot mount bracket is removed and the hole enlarged, slip the inner tube over the 3/8" bolt (See Figure 9). Then install the side-to-side Lock-Arm by slipping the 90 degree foot mount bracket over the same 3/8" bolt and securing with the 3/8" lock nut (Figure 10).

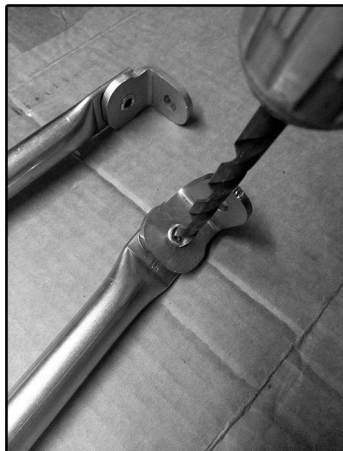


Figure 8



Figure 9



Figure 10

OPERATION

STEP 1: Park your travel trailer or fifth-wheel trailer in desired camping location. Prevent wheels from rolling by using tire chocks.

STEP 2: Level and/or stabilize the trailer using installed jacks.

STEP 3: Once the trailer is level or stabilized, secure both Lock-Arms in the locked position by tightening the set bolt clockwise using a 3/4" jack crank handle (or 3/4" socket or wrench). This will help eliminate unwanted movement during trailer use.

STEP 4: When you are ready to store jacks for travel, loosen each set bolt counter-clockwise with a 3/4" jack crank handle (or 3/4" socket or wrench). This will disengage the Lock-Arm and allow you to retract the leveling or stabilizing jacks to the stored position. Note: you are not required to retighten the set bolt while the Lock-Arm is in the stored position as the bolt is designed not to loosen up and fall out of the Lock-Arm due to vibration during travel.

CAUTION: Do not operate jack (up or down) while set bolt is engaged or it could cause damage to Lock-Arm and trailer's jack.

OPTIONAL ACCESSORIES FOR FIFTH WHEELS

Did you notice the large foot pad in Figure 10? That is the BAL BIG BAD FOOT PAD. It is a 10" square heavy-duty, universal Foot Pad that works on landing gear, scissors jacks, stabilizing jacks, and tongue jacks. Look for them at your favorite RV dealer or service center. Model 29160 - boxed pair of two and hardware.



Check out the collection of trailer hitches & towing we offer.