

2018

AP Products

Brakes & Running Gear





Brake Assemblies / Parts..... 1-8
Chrome Turndown..... 9



Nuts

Part #	Description
014-118610	1/2" - 13, Hex GRS, Zinc
014-122103	7/16" x 20 Nut (Zinc) - Flanged
014-122081	6 Slot Spindle Nut, 1"-14 UNS
014-122076	1/2"- 20, 60 Degree Cone Wheel Nut
014-122079	1/2" x 20 Zinc Coated Flange Nut (color may vary)
014-122077	3/8" - 24 Self Locking Keps Nut
014-122085	7/16" - 20 Hex Nut Zinc Plated
014-127146	1/2" - 20 UNF 2B Cap Nut
014-134581	9/16" - 18 60 Degree Wheel Nut
014-182274	9/16" - 18 Hex, GR 8, Zinc
014-139725	3/8" - 24 Flanged Hex Nut, SZ or YZ (color may vary)
014-134871	1-1/4" - 12 UNC, Nylon Insert, Plain
014-143255	1" - 14 UNS, Hex Lock Nut, Zinc
014-122253	1/2" - 20 Hex Yellow GR5, Zinc



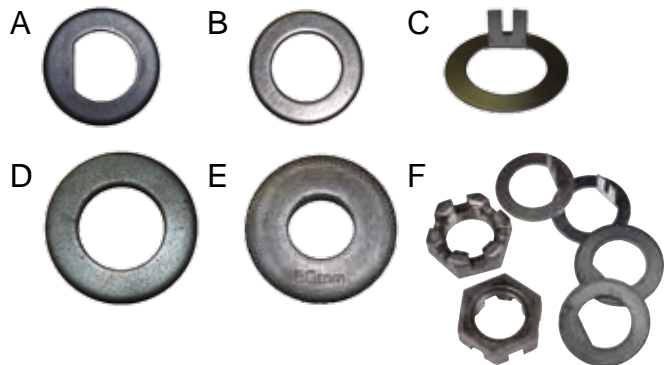
Bolts

Part #	Description
014-122102	2.32 x 9/16 Thrd Shoulder Bolt, Blk Phos
014-121803	1/2 - 20 UNF x 1.84", 0.617 KNURL, Press in Wheel Stud
014-122471	MH Wheel Bolt 1/2" x 13 UNC x 1.623
014-122470	MH Rim Clamp
014-122290	Shackle Bolt 2.32 x 9/16" with/Nut
014-126292	7/16" - 20 x 0.81"; Press In, 0.53 KNURL
014-162836	1/2 - 20 x 1.50"; GR5, Zinc
014-126238	Shoulder Wet Bolt 3.240 x 9/16



Washers

Part #	Description	Photo
014-119215	1" D-Flat Spindle Washer	A
014-119214	1" Round Spindle Washer	B
014-119216	Tang Washer	C
014-122086	7/16" x 3/4" x 11" GA, Helical Lock, Zinc	
014-143240	Washer 1.06" x 2-1/2" x .31" Flat, PL	E
014-170997	Washer 9/16" Flat Washer Zinc	
014-119335	1" D-Flat Spindle Washer, Tang Washer, 6 Slot Spindle Nut (2/ctn)	F
014-162838	1/2 x 0.86 x 0.125; Lock, Zinc	



U-Bolts

Part #	Description
014-139737	U-Bolt 3/8"-24 x 4.00" for 1.75" Tube, YZ
014-139737-2	U-Bolt 3/8"-24 x 4.00" for 1.75" Tube, YZ w/ 3/8" Flanged Hex Nut (2/ctn)
014-122073	U-Bolt 1/2"-20 x 5.10" for 2.38" Tube, YZ
014-122073-2	U-Bolt 1/2"-20 x 5.10" for 2.38" Tube, YZ w/ 1/2" x Flange Nut (2/ctn)
014-122070	U-Bolt 1/2"-20 x 6.50" for 3.00" Tube, YZ
014-122070-2	U-Bolt 1/2"-20 x 6.50" for 3.00" Tube, YZ w/ 1/2" x Flange Nut (2/ctn)
014-132049	U-Bolt 1/2"-20 x 7.25" for 3.00" Tube, YZ
014-132049-2	U-Bolt 1/2"-20 x 7.25" for 3.00" Tube, YZ w/ 1/2" x Flange Nut (2/ctn)
014-2139541	U-Bolt 9/16" x 6.25" for 3.00" Tube, YZ
014-232712	U-Bolt 9/16" x 6.25" for 3.00" Tube, YZ w/ 9/16" Nut & Washer (2/ctn)
014-1963511	U-Bolt 9/16" x 7.25" for 3.00" Tube, YZ
014-232713	U-Bolt 9/16" x 7.25" for 3.00" Tube, YZ w/ 9/16" Nut & Washer (2/ctn)

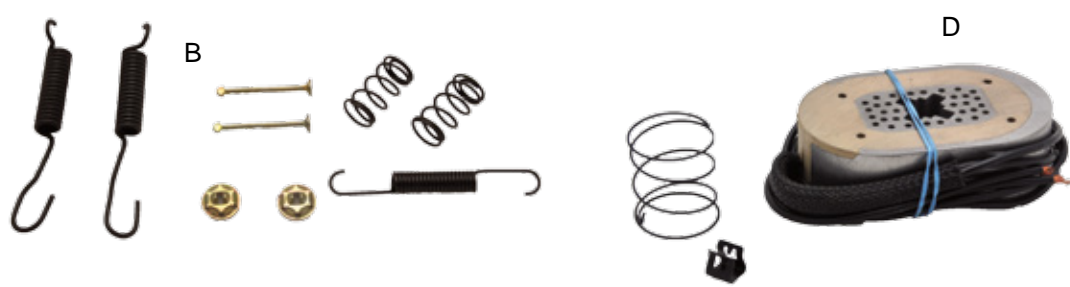
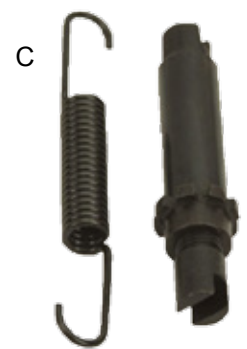
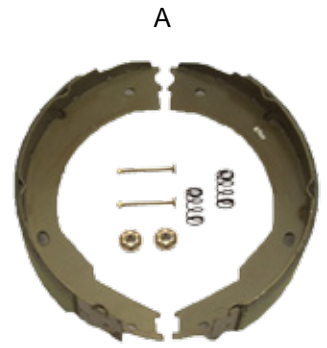


Electric Trailer Brake OEM Replacement Parts For Single, Tandem and Triple Axle Applications

Part#	Description
7" Complete Brake Assembly	
014-139701	7" Electric Brake Assembly - RH (Individually Boxed)
014-139700	7" Electric Brake Assembly - LH (Individually Boxed)
10" x 2.25" Complete Brake Assembly (Fits 3,500-LB Axles)	
014-122450	10" Electric Brake Assembly - RH (Individually Boxed)
014-122450-B	10" Electric Brake Assembly - RH (Bulk)
014-122258	10" Electric Brake Assembly - LH (Individually Boxed)
014-122258-B	10" Electric Brake Assembly - LH (Bulk)
12" x 2" Complete Brake Assembly (Fits 4,000-lb. To 7,000-lb. Axles)	
014-122451	12" Electric Brake Assembly - RH (Individually Boxed)
014-122451-B	12" Electric Brake Assembly - RH (Bulk)
014-122259	12" Electric Brake Assembly - LH (Individually Boxed)
014-122259-B	12" Electric Brake Assembly - LH (Bulk)
12.25" x 3.38" Electric Brake Assembly (Fits 8,000-lb. Axles)	
014-156444	12.25" Electric Brake Assembly - RH (Individually Boxed)
014-156443	12.25" Electric Brake Assembly - LH (Individually Boxed)



Part#	Description	Photo
10" x 2.25" REPLACEMENT PARTS		
014-136451	Shoe and Lining Kit Includes: Primary & Secondary Shoe and Lining, hold down pins, cups and springs	
014-136452	Spring and Hardware Kit Includes: hold down pin, cup, spring, adjustment spring and retractor spring	
014-136453	Adjustment Screw Kit Includes: adjustment screw assy and spring	
014-136454	Magnet Kit Includes: Magnet w/green lead wires, retainer clip and spring	
12" x 2" REPLACEMENT PARTS		
014-136444	Shoe and Lining Kit Includes: Primary & Secondary Shoe and Lining, hold down pins, cups and springs	A
014-136445	Spring and Hardware Kit Includes: hold down pin, cup, spring, adjustment spring and retractor spring	B
014-136453	Adjustment Screw Kit Includes: adjustment screw assy and spring	C
014-136447	Magnet Kit Includes: Magnet w/white lead wires, retainer clip and spring	D
3M Self-Stripping Electrical Pigtail Connectors		
014-122084-5	3M Wire Connector (5pk)	E
014-122084-20	3M Wire Connector (20pk)	E
014-122084-100	3M Wire Connector (100pk)	E



Axle Kits - Bearings, Races/Cups, Seals and Pins Included (two required per axle)

Part #	Description	Qty.	Package
014-1250	Bearing Kit for 1250Lb W/1" Spindle (L-44643, L-44643, L-44610, L-44610, Seal, & Pin)	10	A
014-3500	Bearing Kit for 3500Lb Axle (L-44649, L-68149, L-68111, L-44610, Seal, & Pin)	10	A
014-5200	Bearing Kit for 5200Lb Axle (LM-67048, 25520, LM-67010, 25580, Seal, & Pin)	10	A
014-6000	Bearing Kit for 6000Lb Axle (25580, 15123, 25520, 15245, Seal, & Pin)	10	A
014-7000	Bearing Kit for 7000Lb Axle (25580, 25520, 14125A, 14276, Seal, & Pin)	10	A



Bearings & Races/Cups

Part #	Description	Qty.	Package
014-124287	Inner Cup 25520 O.D. 3.265" (sleeve)	8	D
014-124287-2	Inner Cup 25520 O.D. 3.265" (2 pack)	10	C
014-124292	Outer Cup LM-67010 O.D. 2.328" (sleeve)	13	D
014-124292-2	Outer Cup LM-67010 O.D. 2.328" (2 pack)	10	B
014-124296	Inner Cup L-68111 O.D. 2.362" (sleeve)	13	D
014-124296-2	Inner Cup L-68111 O.D. 2.362" (2 pack)	10	B
014-125102	Outer Cup L-44610 O.D. 1.98" (sleeve)	15	D
014-125102-2	Outer Cup L-44610 O.D. 1.98" (2 pack)	10	B
014-126996	Outer Cup 15245 O.D. 2.441" (sleeve)	11	D
014-126996-2	Outer Cup 15245 O.D. 2.441" (2 pack)	10	B
014-127012	Outer Cup 14276 O.D. 2.717" (sleeve)	10	D
014-127012-2	Outer Cup 14276 O.D. 2.717" (2 pack)	10	B
014-181628	Inner/Outer Bearing L-44643 I.D. 1.00" (sleeve)	10	D
014-181628-2	Inner/Outer Bearing L-44643 I.D. 1.00" (2 pack)	10	B
014-122089	Outer Bearing L-44649 I.D. 1.063" (sleeve)	10	D
014-122089-2	Outer Bearing L-44649 I.D. 1.063" (2 pack)	10	B
014-122092	Inner Bearing L-68149 I.D. 1.378" (sleeve)	9	D
014-122092-2	Inner Bearing L-68149 I.D. 1.378" (2 pack)	10	B
014-122066	Inner Bearing 25580 I.D. 1.75" (sleeve)	7	D
014-122066-2	Inner Bearing 25580 I.D. 1.75" (2 pack)	10	C
014-122090	Outer Bearing LM-67048 I.D. 1.25" (sleeve)	9	D
014-122090-2	Outer Bearing LM-67048 I.D. 1.25" (2 pack)	10	B
014-122091	Outer Bearing 15123 I.D. 1.25" (sleeve)	8	D
014-122091-2	Outer Bearing 15123 I.D. 1.25" (2 pack)	10	B
014-127009	Outer Bearing 14125A I.D. 1.25" (sleeve)	8	D
014-127009-2	Outer Bearing 14125A I.D. 1.25" (2 pack)	10	B



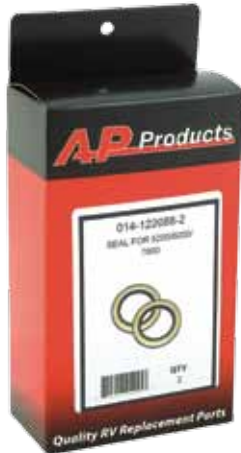
Bearings with Races/Cups Combo Kits

Part #	Description	Qty.	Package
014-3500-I	Inner Cup L-68111, Inner Bearing L68149	10	C
014-3500-O	Outer Cup L-44610, Outer Bearing L-44649	10	C
014-5200-I	Inner Cup 25520, Inner Bearing 25580	10	C
014-5200-O	Outer Cup LM-67010, Outer Bearing LM-67048	10	C
014-6000-O	Outer Cup 15245, Outer Bearing 15123	10	C
014-7000-O	Outer Cup 14276, Outer Bearing 14125A	10	C



Packaging for the Bearing & Race/Cups, and Grease Seals; (A)Bagged, (B)Folding Carton, (C)Premium Package, (D)Sleeve

Seals



B



C

Part #	Description	Qty.	Package
014-122088	Seal For 5200/6000/7000 I.D. 2.25" (sleeve)	10	D
014-122088-2	Seal For 5200/6000/7000 I.D. 2.25" (2 pack)	10	B
014-122088-P	Seal for 5200/6000/7000 lb. Axles, I.D. 2.25" (2 pack)	10	C
014-122087	Seal For 3500lb I.D. 1.719" (sleeve)	10	D
014-122087-2	Seal For 3500lb I.D. 1.719" (2 pack)	10	C
014-122087-P	Seal For 3500lb I.D. 1.719"(2 pack)	10	C
014-181621	Seal For 1250Lb W/1" Spindle I.D. 1.249" (sleeve)	10	D
014-181621-2	Seal For 1250Lb W/1" Spindle I.D. 1.249" (2 pack)	10	B
014-181621-P	Seal For 1250Lb W/1" Spindle I.D. 1.249" (2 pack)	10	C
014-139514	Double Lip Grease Seal for 2200#, 1.50" ID x 1.987" (sleeve)	20	D
014-139514-2	Double Lip Grease Seal for 2200#, 1.50" ID x 1.987" (2 pack)	10	B
014-139514-P	Double Lip Grease Seal for 2200#, 1.50" ID x 1.987" (2 pack)	10	C
014-130035	Double Lip Grease Seal 2.125" SHAFT, 3.376" OD 5.2-7K (sleeve)	10	D
014-130035-2	Double Lip Grease Seal 2.125" SHAFT, 3.376" OD 5.2-7K (2 pack)	10	B
014-130035-P	Double Lip Grease Seal 2.125" SHAFT, 3.376" OD 5.2-7K (2 pack)	10	C
014-122069	Mobile Home Grease Seal, 1.925" ID x 2.538" (sleeve)	10	D
014-122075	Cotter Pin 1/8" x 1.75"	10	A
014-122075-10	Cotter Pin 1/8" x 1.75" (10 pack)	10	A

Packaging for the Bearing & Race/Cups, and Grease Seals; (A)Bagged, (B)Folding Carton, (C)Premium Package, (D)Sleeve



A



D

Axle Leaf Springs

Part#	Description	lbs.	Leaves	Eye to Eye Length	Stacked Leaf Thickness	Loaded Arch Height	Stack Leaf Width
014-127094	Axle Leaf Springs	1000	3	20-3/8 +/- 1/8	0.786 +/- .015	2.12	1.72 - 1.85
014-127103	Axle Leaf Springs	1250	3	23-1/8 +/- 1/8	0.937 +/- .015	2.50	1.72 - 1.85
014-125269	Axle Leaf Springs	1400	4	20-1/2 +/- 1/8	1.106 +/- .020	2.38	1.72 - 1.85
014-125215	Axle Leaf Springs	1750	3	23-1/8 +/- 1/8	1.080 +/- .015	2.50	1.72 - 1.85
014-124903	Axle Leaf Springs	1750	4	25-1/4 +/- 1/8	1.272 +/- .020	1.50	1.72 - 1.85
014-125799	Axle Leaf Springs	2000	4	23-1/8 +/- 1/8	1.366 +/- .020	2.50	1.72 - 1.85
014-125797	Axle Leaf Springs	2000	3	25-1/4 +/- 1/8	1.162 +/- .017	1.75	1.72 - 1.85
014-133982	Axle Leaf Springs	2500	4	23-1/8 +/- 1/8	1.440 +/- .020	2.50	1.72 - 1.85
014-122111	Axle Leaf Springs	3000	4	25-1/4 +/- 1/8	1.563 +/- .020	1.75	1.72 - 1.85
014-122113	Axle Leaf Springs	3500	6	24-7/8 +/- 1/8	2.049 +/- .030	1.75	1.72 - 1.85
014-129745	Axle Leaf Springs	2200	4	25-1/4 +/- 1/8	1.440 +/- .032	2.00	1.72 - 1.85
014-124886	Axle Leaf Springs	2600	4	25-1/4 +/- 1/8	1.522 +/- .022	1.75	1.72 - 1.85
014-125259	Axle Leaf Springs	3000	1	25-1/4 +/- 1/8	0.850 +/- .018	1.75	1.750 +/- .03/-0.02
014-132887	Axle Leaf Springs	4000	7	24-7/8 +/- 1/8	2.520 +/- .035	1.75	1.72 - 1.85
014-125250	Slipper Spring	2500	4	26.50"	1.440 +/- .020	2.00	2.04 +/- .03
014-125203	Slipper Spring	3500	5	26.50"	1.800 +/- .025	2.00	2.04 +/- .03



AP Kits

Part#	Description	Photo
014-121101	Single with 3-1/8" Link	
014-121097	15" Tandem A/P Kit for 33" Axle Spacing EQ-104	
014-121098	15" Tandem A/P Kit for 33" Axle Spacing 4" tall EQ-310	A
014-121099	16" Tandem A/P Kit for 35" Axle Spacing EQ-E1	B
014-121100	Triple A/P Kit for 33" Axle Spacing EQ-104 & EQ-105	C
014-128877	Tandem Slipper A/P Kit for 33.5" Axle Spacing, w/EQ 13-4	D
014-137383	Triple Slipper A/P Kit for 33.5" Axle Spacing, w/EQ 13-4	E
014-132698	Triple A/P Kit, EQ-1 and 13-105 Equalizers	
014-146220	Triple A/P kit for 35" Axle Spacing EQ-104 w/wet bolt	



Shackle Link

Part#	Description
014-105882	2-1/4" Shackle Link, Raw
014-122487	2-1/4" Shackle Link with Yellow Zinc
014-125675	2-1/4" Shackle Link/Bolt Assembly
014-133477	3-1/8" Shackle Link, Raw
014-133207	3-1/8" Shackle Link, Silver Zinc
014-133485	3-1/8" Shackle Link/Bolt Assembly



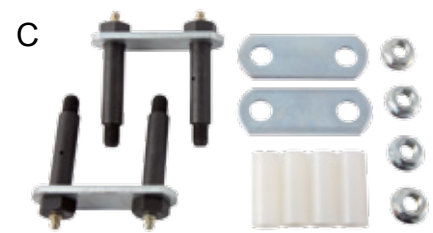
Tie Plates

Part#	Description
014-122226	3" Tie Plate (2" Slipper Spring) Zinc
014-139874	1.75" Tie Plate (uses 3/8" U-Bolts)



Shackle Kits

Part#	Description	Photo
014-5000	2-1/4" Shackle Link Assembly - Short	A
014-5001	3-1/8" Shackle Link Assembly - Long	B
014-5002	2-1/4" Shackle Link Assembly - Greasable	C



Hubs & Drums



Part#	Description	Photo
014-134332	2000# Idler Hub, 5 on 4.5", 1/2", 5.50" HF, Dia. Cupped & Studded	1
014-158529	2000# Idler Hub, 5 on 4.5", 1/2", 6.50" HF, Dia. Cupped & Studded	1
014-126003	3500# Brake Drum/Hub, 5 on 4.5", 1/2" Studs	2
014-122098	3500# Idler Hub, 5 on 4.5", 1/2" Studs	3
014-122094	5200-6000# Brake Drum/Hub, 6 on 5.5", 1/2" Studs	
014-122096	6000-7000# Brake Drum/Hub, 8 on 6.5", 1/2" Studs	
014-134543	6000-7000# Brake Drum/Hub, 8 on 6.5", 9/16" Studs	4
014-134574	2000# Idler Hub, 440 - 1/2" Cupped & Studded	5
014-134206	2200# Brake Drum/Hub, 7" Brake, 5 on 4.5", 1/2" Studs	6
014-148628	8000# Brake Drum/Hub, 8 on 6.5", 9/16 Studs	
014-148626	8000# Brake Drum/Hub, 8 on 6.5", 5/8 Studs	7
014-122459	Mobile Home Brake Drum/Hub	8
014-122458	Mobile Home Idler Hub	9
014-134847	7000# SBS Brake Drum/Hub, 8 on 6.5", 9/16" Studs, 49 MM	10
014-142163	7000# SBS Brake Drum/Hub, 8 on 6.5", 1/2" Studs, 49 MM	
014-142221	6000# SBS Brake Drum/Hub, 6 on 5.5", 1/2" Studs, 42 MM	11
014-139389	6 on 5.5", SL Black ABS Plastic Hub Cover	12
014-139852	5 on 4.5", SL Black ABS Plastic Hub Cover	12

Spring Bushings

Part#	Description
014-126171	Bronze
014-126171-4	Bronze 4/ctn
014-126282	Nylon
014-126282-4	Nylon 4/ctn



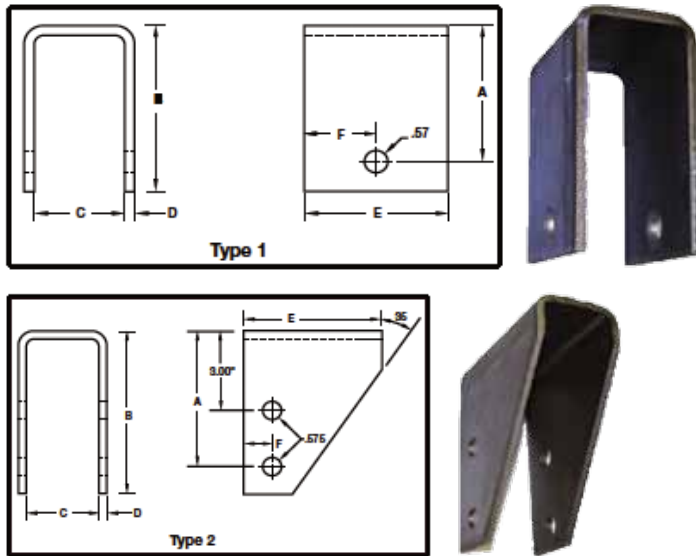
Dust Caps

Part#	Description
014-122099	Dust Cap, Non Lubbed for 2k and 3.5k, DC200
014-122099-2	Dust Cap, Non Lubbed for 2k and 3.5k, DC200 (2/ctn)
014-122067	Dust Cap, with Rubber Plug, Lubed for 2k and 3.5k, DC200L
014-122067-2	Dust Cap, with Rubber Plug, Lubed for 2k and 3.5k, DC200L (2/ctn)
014-122067-P	Dust Cap, with Rubber Plug, Lubed for 2k and 3.5k, DC200L
014-122071	Dust Cap, Non Lubed for 5.2k and 6k, DC250
014-122071-2	Dust Cap, Non Lubed for 5.2k and 6k, DC250 (2/ctn)
014-122064	Dust Cap, with Rubber Plug, Lubed for 5.2k and 6k, DC250L
014-122064-2	Dust Cap, with Rubber Plug, Lubed for 5.2k and 6k, DC250L (2/ctn)
014-122064-P	Dust Cap, with Rubber Plug, Lubed for 5.2k and 6k, DC250L
014-127300	Dust Cap, Lubed for 7k and 8k, DC275L
014-127300-2	Dust Cap, Lubed for 7k and 8k, DC275L (2/ctn)
014-127206	Dust Cap, Non Lubed for 7k and 8k, DC275
014-127206-2	Dust Cap, Non Lubed for 7k and 8k, DC275 (2/ctn)
014-142143	Dust Cap, 7k 49mm and 8k 50mm SBS
014-122065	Universal Rubber Plug for Lubed Dust Caps
014-122065-2	Universal Rubber Plug for Lubed Dust Caps (2/ctn)
014-122065-5	Universal Rubber Plug for Lubed Dust Caps (5/ctn)

Hangers

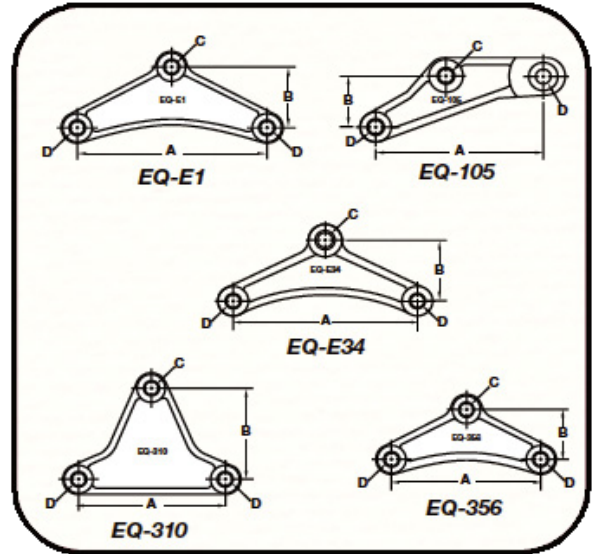
Part#	Description	A	B	C	D	E
014-106181	1.25" Axle Hanger	1.25"	1.95"	2"	3"	9/16"
014-106182	2.25" Axle Hanger	2.25"	2.95"	2"	3"	9/16"
014-106183	3.25" Axle Hanger	3.25"	3.95"	2"	3"	9/16"
014-106185	4.25" Axle Hanger	4.25"	4.82"	2"	3"	9/16"
014-106184	5" Axle Hanger	5"	5.62"	2"	3"	9/16"
014-102906	Boot Hanger, 3" and 5"	3", 5"	5.775"	2"	3"	9/16"
014-113498	Rear Hanger for Single Axle Applications (.88")					

*Holes on top and color may vary



Equalizers (Pre-installed Bushings)

Part#	Description	A	B	C
014-122106	EQ-E1 Assembly	7-3/4"	2-7/8"	9/16"
014-126277	EQ-105 Assembly	6-3/4"	2"	9/16"
014-126460	EQ-104 Assembly	5-3/4"	2"	9/16"
014-126741	EQ-310 Assembly	6-1/16"	4"	9/16"
014-127467	EQ-356 Assembly	6-1/8"	2-1/2"	9/16"
014-127771	Slipper Spring - EQ-1304 Assembly			



Over/Under Conversion Kits

Part#	Description
014-162753	For 3" Axle Tube
014-146677	For 2-3/8" Axle Tube



Shock w/Hardware

Part#	Description
014-122108	Shock for 2-3/8" and 3" Tube w/Hardware
014-156018	Shock for 2-3/8" and 3" Tube; Upper Bracket & Shock Plates Included
014-101591	Upper Bracket



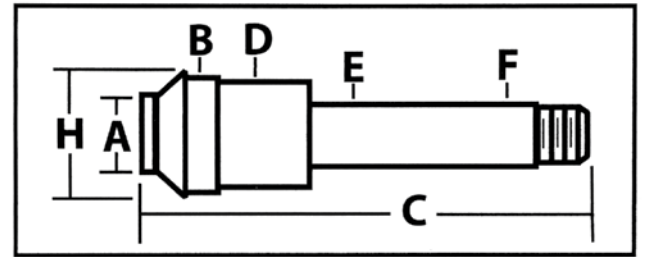
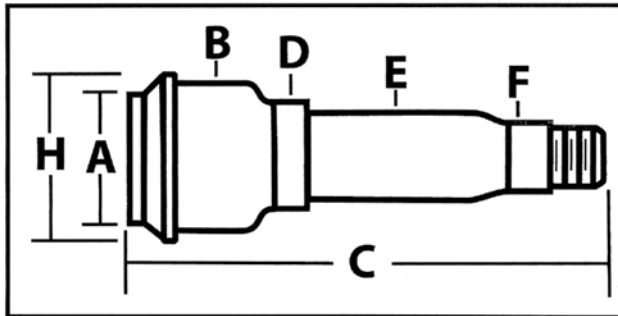
Spring Seats

Part#	Description
014-139875	1.75" Tube, 2200 lbs.
014-177044	XMC 4 x 1.75 x 1.677 2-3/8" Tube
014-180807	XMC 4 x 1.75 x 1.677 3" Tube



Spindles - Sprung Axle Spindle

Part#	Description	A	B	C	D	E	F	H
014-142161	2,200# Sprung Axle Spindle - Straight, Flg, Lube, 1.75"	1.31"	1.63"	6.7"	1.5"	1.062"	1.062"	1.75"
014-123383	2,800 - 3,500# Sprung Axle Spindle - Straight, Flg, Lube 2.38"	2"	2.26"	6.23"	1.72"	1.376"	1.062"	2.44"
014-123384	2,800 - 3,500# Sprung Axle Spindle - Drop, Flg, Lube, 2.38"	2"	2.26"	8.13"	1.72"	1.376"	1.062"	2.44"
014-140695	2,800 - 3,500# Sprung Axle Spindle - Drop, Flg, Lube, 3"	2.55"	2.26"	8.13"	1.72"	1.376"	1.062"	3"
014-122455	4,000 - 7,000# Sprung Axle Spindle - Straight, Flg, Lube 3"	2.46"	2.75"	8.13"	2.25"	1.749"	1.249"	3"
014-122456	4,000 - 7,000# Sprung Axle Spindle - Drop, Flg, Lube, 3"	2.46"	2.75"	9.89"	2.25"	1.749"	1.249"	3"



Breakaway Switches

Part #	Description
014-BS4000	Breakaway Switch w/4' Lanyard (Premium Packaging)
014-BS6060	Breakaway Switch w/6' Lanyard (Premium Packaging)
BS4000	Breakaway Switch w/4' Lanyard
BS6060	Breakaway Switch w/6' Lanyard

Lanyards

Part #	Description
014-LP4040	4' Lanyard and Plunger (Premium Packaging)
014-LP6060	6' Lanyard and Plunger (Premium Packaging)
LP4040	4' Lanyard and Plunger
LP6060	6' Lanyard and Plunger



CHROME EXHAUST TURNDOWNS

- Keeps Your Trailer Cleaner
- Redirects Exhaust Away From Your Towed Vehicle
- Double Chrome Plating
- Stainless Steel, Low-Profile Band Clamp (except 1-1/4" & 1-1/2")
- Heavy Gauge Tubing
- Great For Diesels

CHROME EXHAUST TURNDOWNS

Lifetime Warranty

Chrome Turn-Downs

Part #	Inside Diameter	Length
CTD-1250	1-1/4"	10"
CTD-1500	1-1/2"	10"
CTD-2000	2"	10"
CTD-2250	2-1/4"	12"
CTD-2500	2-1/2"	12"
CTD-2750	2-3/4"	13"

Part #	Inside Diameter	Length
CTD-3000	3"	13"
CTD-3500	3-1/2"	16"
CTD-4000	4"	12"
CTD-5000	5"	14"
CTD-5001	5"(Straight)	8-1/4"

2018

AP Products

Hardware Catalog



AP Products

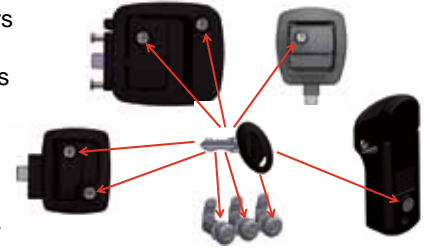
Adhesives.....	23-24	Hardware	5, 8, 12-15
Air Diffusers & Outlets	15	Hinges & Magnetic Catches	9
Battery Boxes	36	Keyed Alike Padlocks	1
Catches.....	11	Kwik Bandit™	33-34
Coil N' Wrap	25-26	Plug-Guard / Nappy Kamper / GTG	
Dolly Trailer Pads & RV Jack Pads	27	Fusion Tape.....	27
Door Holdbacks	7, 10	Positive Catches.....	10
Door Knobs & Door Locks.....	1-5	Shelf Hog.....	20
Drawer Hardware	17-18	Slideout Slicker / Slideout Sled.....	14
Floor Registers	15	Slim Shade™ / Vent Shade	6
Fresh Cab, Stay Away & Bug Shield..	28	Star Lights.....	29-32
Gas Props & Accessories.....	21-22	Table Legs & Support.....	16
Glow Max Cordless Light Switch.....	26	Tank Check™ / LP Tank Stand	35
Grayline Housewares.....	19-20		



Keyed-Alike Program

Most RV's come with several different keys. AP Products has worked with popular lock manufacturers to offer a Keyed Alike program for dealers to replace customers locks so one key operates the entry door, baggage doors and slam latches. Ramp doors, bar locks, slam latches, entry locks and handles can be keyed a like in just a few minutes on most coaches by dealers and service techs.

IMPORTANT - All Hardware must be from the same company. All entry handles, slams, cams, bar locks, ect. must be manufactured by the one company. The coach must have ALL Bauer or ALL Global locks to execute the rekey process. Hardware does not come from AP Products keyed a like.



Cylinders

For Bauer & Global Locks and Cams

*A control key from the lock manufacturer is required to perform a cylinder change.

Ask your rep for part numbers and availability to order control keys.

For Bauer

· All Entry door locks, including electric locks, require (1) master cylinder (marked "P" on the cylinder) and (1) non-mastered cylinder (marked "DB" on the cylinder)

· All Bauer Slam Baggage Locks and Cam Baggage Locks use NON-MASTERED ("DB") cylinders for rekeying.

For Global

· All entry door locks require (1) mastered cylinder (marked with "M" on the cylinder) and (1) Non-mastered cylinder (with no markings on the cylinder)

· All Global Slam Baggage Locks and Cam Baggage Locks use NON-MASTERED ("Blank") cylinders for rekeying.

Replacement cylinders are packages of 10 and marked with the key number on the side.



Bauer

Replacement Master and Non-Mastered Lock Cylinders for Bauer Entrance, Slam, and Cam Locks. (Marked on cylinder: P = Paddle, DB = Dead Bolt)

Master	Key Code	Non-Mastered	Key Code
013-537	350	013-547	350
013-538	351	013-548	351
013-539	352	013-549	352
013-540	353	013-550	353
013-541	354	013-551	354
013-542	355	013-552	355
013-543	356	013-553	356
013-544	357	013-554	357
013-545	358	013-555	358
013-546	359	013-556	359



Global

Replacement Master and Non-Mastered Lock Cylinders for Global Entrance, Slam, and Cam Locks. (Marked on cylinder: M = Mastered, Blank = Non-Mastered)

Master	Key Code	Non-Mastered	Key Code
013-574	341	013-590	341
013-575	342	013-591	342
013-576	343	013-592	343
013-577	344	013-593	344
013-578	345	013-594	345
013-579	346	013-595	346
013-580	347	013-596	347
013-581	348	013-597	348
013-582	349	013-598	349
013-583	330	013-599	330

Cam Locks

Bauer Cam Lock

Baggage Door Cam Lock with replaceable cylinder. Fits most existing Cam Locks w/ 7/8 Shaft and allows cylinder to be keyed to a matching Bauer Entrance Key code.

- 013-673 Bauer 7/8" Cam
- 013-674 Bauer 1-1/8" Cam
- 013-675 Bauer 1-3/8" Cam



Global Cam Lock

Baggage Door Cam Lock with replaceable cylinder. Fits most existing Cam Locks w/ 7/8 Shaft and allows cylinder to be keyed to a matching Global Entrance Key code.

- 013-584 Global 7/8" Cam
- 013-585 Global 1-1/8" Cam
- 013-586 Global 1-3/8" Cam



Cylinder Cams

013-679 Straight 1/each



013-678 Off-Set 1/each



Barb Cam

Used for outside shower doors and leveling doors.

013-8934351



Keyed-Alike Padlock

013-704

Features a hardened steel shackle, dual latching system, and a protective boot. Secures hitches, LP tanks, battery boxes, ramp doors and more. Part of the Keyed-Alike family (can be keyed to AP Products entrance door locks, slam locks, cam locks, and more).



Keyed-Alike LP Padlock

013-705

Features a bracket to mount the LP Regulator and securely lock the tanks when mounted to the RV. The hasp prevents the wing nut from being turned and is easily installed and removed. Comes with a Keyed-Alike padlock and can be re-keyed to other lock such as entrance door locks and more.



Locks

Standard Entrance Travel Trailer Locks

Bauer

Direct replacement for standard RV entry door locks. Fits in a 2-3/4"x3-1/4" cutout. Features Bauer's SCI technology to prevent tampering with lock cylinders. Low profile inside egress to prevent interference with screen door.

- Corrosion resistant
- Lightweight
- UV resistant

- 013-520** Entrance Lock - Black
013-534 Entrance Lock - White
013-535 Entrance Lock - Chrome



Global

Entrance lock with paddle and deadbolt. Directly replaces most entrance locks on travel trailers and 5th wheels.

- 013-570** Trailer Lock w/Keys - Black
013-571 Trailer Lock w/Keys - White
013-572 Trailer Lock w/Keys - Chrome



Standard Motor Home - Bauer

Entrance Door Lock designed for motorhomes. Exceeds Federal motorhome vehicle safety standards. Replaces the L300. Will replace Trimark 060-0600 and 060-0650.

- 013-257** RV Entrance Motorhome Lock



Slam Baggage Locks

Bauer Slam Baggage Lock

RV Baggage Door Latch and Lock. "Slam Latch" allows baggage door to be closed with force with a positive latch. Direct replacement for existing slam latch on the market.

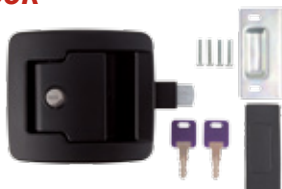
- 013-671** Black



Global Slam Baggage Lock

RV Baggage Door Latch and Lock. "Slam Latch" allows baggage door to be closed with force with a positive latch. Direct replacement for existing slam latch on the market.

- 013-573** Black



Fastec Slam Baggage Lock

RV Baggage Door Latch and Lock. "Slam Latch" allows baggage door to be closed with force with a positive latch. Direct replacement for existing slam latch on the market.

- 015-246219** Black



Keyless Travel Trailer / 5th Wheel - Bauer

Directly upgrades most travel trailer locks. Offers hassle free touch pad access - no key or fob to carry with you. No wiring needed - uses 4 AA batteries to operate (not included). Comes with key for overriding forgotten code or dead battery.

* Now has AISentis HSS Technology

- No "waking up" function as with captive touch technology
- Longer battery life than captive touch locks.
- Features Intelligent Touch Technology Recognition which distinguishes between water and human touch. A glove can also be worn while using the lock.

- 013-509** RH
013-530 LH



Keyless Motor Home - Bauer

Meets DOT specifications for motor home use. Offers hassle free touch pad access - no key or fob to carry with you. No wiring needed - uses 4 AA batteries to operate (not included). Comes with key for overriding forgotten code or dead battery.

* Now has AISentis HSS Technology

- No "waking up" function as with captive touch technology
- Longer battery life than captive touch locks.
- Features Intelligent Touch Technology Recognition which distinguishes between water and human touch. A glove can also be worn while using the lock.

- 013-531** Electric Motor Home Lock



Horse Trailer Locks - Bauer



- 013-529** Black
013-688 Black

Vise Lock - Bauer

For ramp doors

- 013-680** Black



Replacement Keys

Key Blanks

- Bauer**
013-515 Bauer RV300 Key Blanks (Bulk)
- Global**
013-676 Global Key Blanks (Bulk)
- Fastec**
015-269629 Fastec Key Blanks (Bulk)



CH751 Key

013-751 CH751 Cam Lock Key



Bauer AE Series Replacement Keys

Commonly used in horse trailer locks.
Chrome

013-700



Key Codes
001-060



Bauer OEM RV Series Replacement Keys

New series used by trailer manufactures
for the keyed a like program.
Grey

013-699



Key Codes
701-760



Part#	Qty	Key Code	Part#	Qty	Key Code	Part#	Qty	Key Code
013-689001	5	001	013-689022	5	022	013-689043	5	043
013-689002	5	002	013-689023	5	023	013-689044	5	044
013-689003	5	003	013-689024	5	024	013-689045	5	045
013-689004	5	004	013-689025	5	025	013-689046	5	046
013-689005	5	005	013-689026	5	026	013-689047	5	047
013-689006	5	006	013-689027	5	027	013-689048	5	048
013-689007	5	007	013-689028	5	028	013-689049	5	049
013-689008	5	008	013-689029	5	029	013-689050	5	050
013-689009	5	009	013-689030	5	030	013-689051	5	051
013-689010	5	010	013-689031	5	031	013-689052	5	052
013-689011	5	011	013-689032	5	032	013-689053	5	053
013-689012	5	012	013-689033	5	033	013-689054	5	054
013-689013	5	013	013-689034	5	034	013-689055	5	055
013-689014	5	014	013-689035	5	035	013-689056	5	056
013-689015	5	015	013-689036	5	036	013-689057	5	057
013-689016	5	016	013-689037	5	037	013-689058	5	058
013-689017	5	017	013-689038	5	038	013-689059	5	059
013-689018	5	018	013-689039	5	039	013-689060	5	060
013-689019	5	019	013-689040	5	040			
013-689020	5	020	013-689041	5	041			
013-689021	5	021	013-689042	5	042			

Part#	Qty	Key Code	Part#	Qty	Key Code	Part#	Qty	Key Code
013-689701	5	701	013-689721	5	721	013-689741	5	741
013-689702	5	702	013-689722	5	722	013-689742	5	742
013-689703	5	703	013-689723	5	723	013-689743	5	743
013-689704	5	704	013-689724	5	724	013-689744	5	744
013-689705	5	705	013-689725	5	725	013-689745	5	745
013-689706	5	706	013-689726	5	726	013-689746	5	746
013-689707	5	707	013-689727	5	727	013-689747	5	747
013-689708	5	708	013-689728	5	728	013-689748	5	748
013-689709	5	709	013-689729	5	729	013-689749	5	749
013-689710	5	710	013-689730	5	730	013-689750	5	750
013-689711	5	711	013-689731	5	731	013-689751	5	751
013-689712	5	712	013-689732	5	732	013-689752	5	752
013-689713	5	713	013-689733	5	733	013-689753	5	753
013-689714	5	714	013-689734	5	734	013-689754	5	754
013-689715	5	715	013-689735	5	735	013-689755	5	755
013-689716	5	716	013-689736	5	736	013-689756	5	756
013-689717	5	717	013-689737	5	737	013-689757	5	757
013-689718	5	718	013-689738	5	738	013-689758	5	758
013-689719	5	719	013-689739	5	739	013-689759	5	759
013-689720	5	720	013-689740	5	740	013-689760	5	760

Key Cabinets

Bauer 013-689
Key Cabinet With Drawers
(5) Keys Each Of (60) Key Codes

Global 013-690
Key Cabinet With Drawers
(5) Keys Each Of (50) Key Codes

Fastec 013-691
Key Cabinet With Drawers
(5) Keys Each Of (51) Key Codes

Cabinets measure: 15" wide x 19" tall x 7" deep



Bauer Key Codes 301-360



Global Key Codes 301-350



Fastec Key Codes 301-351

Precut Factory Replacement Keys

Bauer

Part#	Qty	Key Code	Part#	Qty	Key Code
013-689301	5	301	013-689331	5	331
013-689302	5	302	013-689332	5	332
013-689303	5	303	013-689333	5	333
013-689304	5	304	013-689334	5	334
013-689305	5	305	013-689335	5	335
013-689306	5	306	013-689336	5	336
013-689307	5	307	013-689337	5	337
013-689308	5	308	013-689338	5	338
013-689309	5	309	013-689339	5	339
013-689310	5	310	013-689340	5	340
013-689311	5	311	013-689341	5	341
013-689312	5	312	013-689342	5	342
013-689313	5	313	013-689343	5	343
013-689314	5	314	013-689344	5	344
013-689315	5	315	013-689345	5	345
013-689316	5	316	013-689346	5	346
013-689317	5	317	013-689347	5	347
013-689318	5	318	013-689348	5	348
013-689319	5	319	013-689349	5	349
013-689320	5	320	013-689350	5	350
013-689321	5	321	013-689351	5	351
013-689322	5	322	013-689352	5	352
013-689323	5	323	013-689353	5	353
013-689324	5	324	013-689354	5	354
013-689325	5	325	013-689355	5	355
013-689326	5	326	013-689356	5	356
013-689327	5	327	013-689357	5	357
013-689328	5	328	013-689358	5	358
013-689329	5	329	013-689359	5	359
013-689330	5	330	013-689360	5	360

Global

Part#	Qty	Key Code	Part#	Qty	Key Code
013-690301	5	301	013-690326	5	326
013-690302	5	302	013-690327	5	327
013-690303	5	303	013-690328	5	328
013-690304	5	304	013-690329	5	329
013-690305	5	305	013-690330	5	330
013-690306	5	306	013-690331	5	331
013-690307	5	307	013-690332	5	332
013-690308	5	308	013-690333	5	333
013-690309	5	309	013-690334	5	334
013-690310	5	310	013-690335	5	335
013-690311	5	311	013-690336	5	336
013-690312	5	312	013-690337	5	337
013-690313	5	313	013-690338	5	338
013-690314	5	314	013-690339	5	339
013-690315	5	315	013-690340	5	340
013-690316	5	316	013-690341	5	341
013-690317	5	317	013-690342	5	342
013-690318	5	318	013-690343	5	343
013-690319	5	319	013-690344	5	344
013-690320	5	320	013-690345	5	345
013-690321	5	321	013-690346	5	346
013-690322	5	322	013-690347	5	347
013-690323	5	323	013-690348	5	348
013-690324	5	324	013-690349	5	349
013-690325	5	325	013-690350	5	350

Fastec

Part#	Qty	Key Code	Part#	Qty	Key Code
013-691301	5	301	013-691327	5	327
013-691302	5	302	013-691328	5	328
013-691303	5	303	013-691329	5	329
013-691304	5	304	013-691330	5	330
013-691305	5	305	013-691331	5	331
013-691306	5	306	013-691332	5	332
013-691307	5	307	013-691333	5	333
013-691308	5	308	013-691334	5	334
013-691309	5	309	013-691335	5	335
013-691310	5	310	013-691336	5	336
013-691311	5	311	013-691337	5	337
013-691312	5	312	013-691338	5	338
013-691313	5	313	013-691339	5	339
013-691314	5	314	013-691340	5	340
013-691315	5	315	013-691341	5	341
013-691316	5	316	013-691342	5	342
013-691317	5	317	013-691343	5	343
013-691318	5	318	013-691344	5	344
013-691319	5	319	013-691345	5	345
013-691320	5	320	013-691346	5	346
013-691321	5	321	013-691347	5	347
013-691322	5	322	013-691348	5	348
013-691323	5	323	013-691349	5	349
013-691324	5	324	013-691350	5	350
013-691325	5	325	013-691351	5	351
013-691326	5	326			

Door Locks, Latches, & Stops

Entrance Lock Set Knob-Knob

May be used as 2-3/8" or 2-3/4" backset, includes both standard and drive-in latches. Offered in Polish Brass or Stainless Steel Finish.

- 013-220** Entrance Lock Set Knob - Knob Polish Brass Finish
- 013-220-SS** Entrance Lock Set Knob -Knob Stainless Steel



Combo Lock Set

Offers both a Knob-Knob and a Dead Bolt Lock with matching keys. May be used as a 2-3/8" or 2-3/4" backset, includes both standard and drive-in backsets. Offered in Polish Brass or Stainless Steel Finish.

- 013-234** Combo Lock Set Polish Brass Finish
- 013-234-SS** Combo Lock Set Stainless Steel Finish



Privacy/Passage Lock Set

Privacy offers turn button lock; passage does not. May be used as either a 2-3/8" or 2-3/4" backset. Offered in Stainless Steel or Polish Brass Finish. *Privacy Lock Set Shown Only*

- 013-202** Privacy Knob - Knob Polish Brass Finish
- 013-202-SS** Privacy Knob - Knob Stainless Steel Finish
- 013-203** Passage Knob - Knob Polish Brass Finish
- 013-203-SS** Passage Knob - Knob Stainless Steel Finish



Deadbolt Lock Set

Single Deadbolt may be used as a 2-3/8" or 2-3/4" backset. Includes both standard and drive latches. Offered in Polish Brass or Stainless Steel Finish.

- 013-222** Dead Bolt Single Polished Brass
- 013-222-SS** Dead Bolt Single Stainless Steel



Entrance Lock Set Knob-Lever

Knob-Lever Entrance Lock Set may be used as 2-3/8" or 2-3/4" backset, includes both standard and drive-in latches. Offered in Polish Brass or Stainless Steel Finish.

- 013-235** Entrance Knob - Lever Polish Brass Finish
- 013-235-SS** Entrance Knob - Lever Stainless Steel Finish



Privacy/Passage Entrance Lock Set Lever-Lever

Lever-Lever Entrance Lock may be used as 2-3/8" or 2-3/4" backset, includes both standard & drive in latches. Offered in privacy and passage.

- 013-231** Lever Privacy Lock - Polished Brass
- 013-231-SS** Lever Privacy Lock - Stainless Steel
- 013-230** Lever Passage Lock - Polished Brass
- 013-230-SS** Lever Passage Lock - Stainless Steel



Door Stops

- 013-193-SP** Floor Mount - Satin Pewter (1/Ctn)
- 013-193** Floor Mount - Brass (1/Ctn)
- 013-193-BL** Floor Mount - Black (1/Ctn)
- 013-193-AB** Floor Mount - Antique Brass (1/Ctn)
- 013-193-OB** Floor Mount - Oiled Bronze (1/Ctn)



Bath Door Latch Low Pro

- 1 Set w/Screws
- 013-063** Bath Door Latch Brass



Plastic Flush Mount Latch w/Strike & Screws

- 013-015** Flush Mount Latch - Brown
- 013-015-T** Flush Mount Latch - Tan





RV Vent Shade



- Mylar Backed Shade Blocks Most Light From Crank Vents
- Simply Installs Over Current Trim With Existing Screws
- Conforms To Curved Ceilings Without Modification
- Shade Can Be Replaced
- Reduces Heat
- Easily Retracted To Allow Natural Light In

015-201612
RV Vent Shade
White

SLIM SHADE™

Patent Pending

**Shade When You Need It...
See Out When You Don't!**

Directly replaces existing window and frame or add to door with no window with the template that is provided.

Complete unit comes with black frame, tinted window glass and recessed pleated shade.

Easily installs with only a screwdriver. Screws included. Fits most RV Doors



015-201512
Slim Shade™ Complete Unit
Black

**Replacement Parts*



015-2014782
Slim Shade™ Window
Frame Only
Black



015-201496
Tinted Window Glass
12-1/2" x 21"
Black



015-201502
Slim Shade™ Replacement
Shade Only
Black

Also see page 13 in Service Catalog

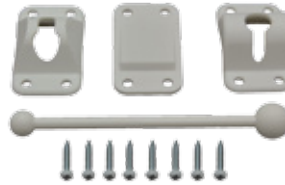
DOOR HOLDBACKS

Plastic Door Holdback 1 Set w/Screws



- 3-1/2" Door Holdback
- 013-084** Colonial White
- 013-084W** White
- 013-084BL** Black
- 6" Door Holdback
- 013-085** Colonial White
- 013-085W** White
- 013-085BL** Black
- 8" Door Holdback
- 013-064BL** Black

Plastic Door Holdbacks 1 Set w/Screws



- 013-237**
- 4" Plastic Door Holdback
- White
- 013-238**
- 6" Plastic Door Holdback
- White
- 013-239**
- 10" Plastic Door Holdback
- White



- 5-1/2" Door Holdback
- 013-087** Colonial White
- 013-087-W** White

Metal Door Holdback 1 Set w/Screws



- 013-147**
- 2-5/8" Door Holdback
- 013-104**
- 3" Door Holdback

Metal Door Holdback 2 Sets w/Screws



- 013-246**
- 3" Metal Door Holdback
- Zinc
- 013-247**
- 4" Metal Door Holdback
- Zinc



- 013-086**
- 3" Door Holdback
- Colonial White
- 013-086-W**
- 3" Door Holdback
- White
- 013-088**
- 3" Male Piece Only
- Colonial White
- 013-088-W**
- 3" Male Piece Only
- White
- 013-089**
- Female Piece Only
- Colonial White
- 013-089-W**
- Female Piece Only
- White

Nylon Bumper 1 Piece

- 1-1/4" Nylon Bumper
- 013-090** Colonial White
- 013-090-W** White
- 2-7/8" Nylon Bumper
- 013-091** Colonial White
- 013-091-W** White
- 013-091-BL** Black



Rubberized Magnets are an easy-to-install and simple to use powerful magnetic connection system perfect for replacing traditional latches. For the exterior they can be used for applications such as the baggage/storage compartments and on the interior the magnets can be used for various cabinet applications. Are also great when used individually (interior or exterior) for hanging small objects such as: keys, tools, USB/device chargers, bottle openers, fly swatters, brooms, lighters, and small flashlights. The applications are endless!

- 013-09801** Polar White (2 sets)
- 013-09802** Black (2 sets)

Magnetic Door Holdbacks



RV & MH Hardware

Window Crank Handles

Part#	Size	Description	Color	Qty
013-408	3/4"	Plastic w/Screw	Beige	1
013-408-4	3/4"	Plastic w/Screw	Beige	4
013-408B	3/4"	Plastic w/Screw	Black	1
013-408B-4	3/4"	Plastic w/Screw	Black	4
013-408W	3/4"	Plastic w/Screw	White	1
013-185	1"	Metal		1
013-185-2	1"	Metal		2
013-410	1-1/4"	Plastic w/Screw	Beige	1
013-410-4	1-1/4"	Plastic w/Screw	Beige	4
013-410B	1-1/4"	Plastic w/Screw	Black	1
013-410B-4	1-1/4"	Plastic w/Screw	Black	4
013-184	1-3/4"	Metal		1
013-184-2	1-3/4"	Metal		2
013-409	1-3/4"	Plastic w/Screw	Beige	1
013-409-4	1-3/4"	Plastic w/Screw	Beige	4
013-409B	1-3/4"	Plastic w/Screw	Black	1
013-409B-4	1-3/4"	Plastic w/Screw	Black	4
013-409W	1-3/4"	Plastic w/Screw	White	1
013-407	2-3/16"	Plastic w/Screw	Beige	1
013-407-4	2-3/16"	Plastic w/Screw	Beige	4
013-407B	2-3/16"	Plastic w/Screw	Black	1
013-407B-4	2-3/16"	Plastic w/Screw	Black	4
013-405	3"	Plastic w/Screw	Beige	1
013-405-4	3"	Plastic w/Screw	Beige	4
013-405B	3"	Plastic w/Screw	Black	1
013-405B-4	3"	Plastic w/Screw	Black	4
013-405W	3"	Plastic w/Screw	White	1



Plastic Window Crank Handle Extension

Part#	Size	Description	Color	Qty
013-422	2"	Plastic Crank Extension	Beige	1
013-422B	2"	Plastic Crank Extension	Black	1
013-406	3"	Plastic Crank Extension	Beige	1
013-406B	3"	Plastic Crank Extension	Black	1



Exit Window Latch

013-242

Exit Window Latch - RH

013-245

Exit Window Latch - LH



Part#	Description	Shaft	Color	Qty
013-510	Window Knob - Short w/Screw	1/2"	White	1
013-511	Window Knob - Long w/Screw	1"	White	1
013-512	Window Knob - Short w/Screw	1/2"	Black	1
013-513	Window Knob - Long w/Screw	1"	Black	1
013-713	Mini Window Knob w/Screw		Black	1



Round Window Crank Handles

Part#	Shaft Size	Description	Color
013-186	7/8" shaft	Round Window Crank Handle w/Screws	Black
013-417-W	7/8" shaft	Round Window Crank Handle w/Screws	White
013-416	5/16" shaft	Round Window Crank Handle w/Screws	Black
013-415W	5/16" shaft	Round Window Crank Handle w/Screws	White



Window Operators

013-183

Window Operator
1/4" Hub projection

013-182

Window Operator
5/8" Hub projection



Folding Shelf Bracket

013-243

Brown



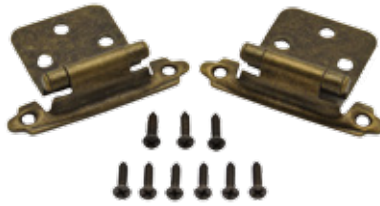
Hinges & Magnetic Catches

3/8" Offset Self-Closing Hinge



013-048
English 3/8" Offset Hinge
2 Sets

Self-Closing Hinge

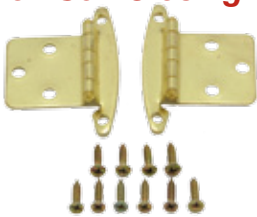


013-045
English Self-Closing Hinge
2 Sets

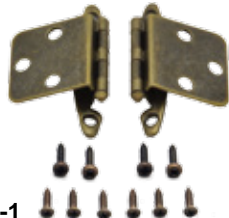


013-045-B
Brass Self-Closing Hinge
2 Sets

Non Self-Closing Hinge



013-049-B
Brass Non Self-Closing Hinge
2 Sets



013-049-1
English Non Self-Closing Hinge
1 Set
013-049
English Non Self-Closing Hinge
2 Sets

English Adjustable Hinge



013-053
Adjustable Hinge
2 Sets

Overhead Hinge



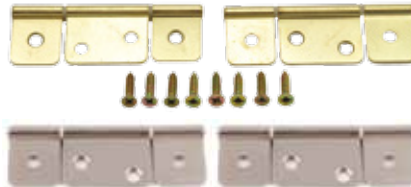
013-043
Overhead Hinge
2 Sets

Deluxe Non-Mortise Hinge



013-136
Brass 2/Ctn
013-136-SN
Satin Nickel 2/Ctn (no screws)

Non-Mortise Hinge



013-046
Brass 2/Ctn
013-046-SN
Satin Nickel 2/Ctn (no screws)

Non-Mortise Hinge



013-248
Non-Mortise Hinge w/ Extended Center -
Satin Nickel
2/Ctn (no screws)

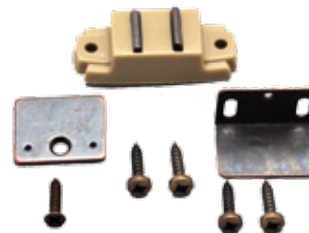
Concealed Magnetic Catch



013-012
Side Mount Magnetic Catch
w/ Flat Strike
2 Sets



013-013
Magnetic Catch w/ Flat Strike
2 Sets



013-030
Universal Magnetic Catch
1 Set



013-014-1
Magnetic Catch w/ L Strike
1 Set
013-014
Magnetic Catch w/ L Strike
2 Sets

Positive Catches

English Positive Thumb Catch - 1 Set

013-009
Thumb Catch
3/8" Strike

013-007
Thumb Catch
1/2" Strike

013-010
Thumb Catch
5/8" Strike

013-008
Thumb Catch
3/4" Strike



English Positive Thumb Catch - 1 Set

013-020
Thumb Catch
3/8" Strike

013-018
Thumb Catch
1/2" Strike

013-021
Thumb Catch
5/8" Strike

013-019
Thumb Catch
3/4" Strike



Part#	Stem	Qty
013-024-1	5/8"	1
013-024	5/8"	2
013-028-1	3/4"	1
013-028	3/4"	2
013-025-1	7/8"	1
013-025	7/8"	2

Part#	Stem	Qty
013-022-1	1"	1
013-022	1"	2
013-027-1	1-1/4"	1
013-027	1-1/4"	2
013-023-1	1-3/8"	1
013-023	1-3/8"	2

Concealed Positive Catch



Door Holdbacks

**Metal Door Holdback
Straight
1 Set w/Screws**



013-092
3" Door Holdback



013-092-B
3" Door Holdback
Plunger Only



013-094
4-3/4" Door Holdback



013-192
Metal Socket for
092/093/094/095



013-093
3" Angle Door Holdback
Holdback



013-093-B
3" Angle Door Holdback
Plunger Only



013-095
4-3/4" Angle Door Holdback

**Metal Door Holdback
Angle
1 Set w/Screws**



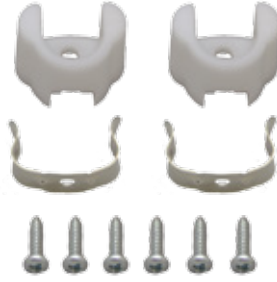
013-058
Rubber Replacement (1)

Catches

Friction Catches



013-037-1
Bulldog Catch
1 Set
013-037
Bulldog Catch
2 Sets



013-032
Friction Catch
2 Sets



013-066-1
Barrel Catch
1 Set
013-066
Barrel Catch
2 Sets
013-066-6
Barrel Catch
6 Sets

Roller Catches



013-017
Single Roller Catch
2 Sets



013-033-1
Single Roller Catch
1 Set
013-033
Single Roller Catch
2 Sets

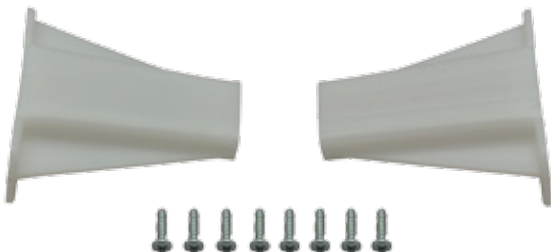


013-031
Double Roller Catch
2 Sets



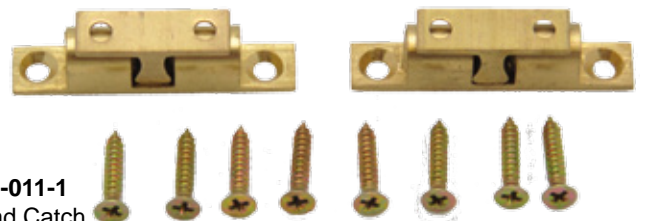
013-006-1
Double Roller Catch
1 Set
013-006
Double Roller Catch
2 Sets

Rear Socket With Screws



013-137
Left & Right

Brass Bead Catch



013-011-1
Bead Catch
1 Set
013-011
Bead Catch
2 Sets

RV & MH Hardware

**Baggage Door Holdbacks
Metal Stainless Steel 2 Sets**



013-106
110 Degree Door Holdback

**Baggage Door Holdbacks
Plastic Colors - 2 Sets**



013-097
110 Degree Door Holdback
Colonial White
013-097-W
110 Degree Door Holdback
White
013-097-BL
110 Degree Door Holdback
Black

Draw Pull Latch - Zinc



013-042
Draw Pull Latch Zinc
1 Set

Camper Latch - 1 Set



013-055
Locking Camper Latch
Zinc
013-258
Locking Camper Latch
Black



013-056-W
Non-Locking Camper Latch
White

Baggage Door Camlocks



013-180
Camlock 5/8" w/Key



013-181
Camlock 7/8" w/Key

**Adjustable Latch
for 5/16" Shaft**



013-132
2" Adjustable Latch

RV & MH Hardware

Spring Door Support - Brass



013-057
Door Support
2 Sets

Brass Door Support - 1 Set



013-061
6-1/4" Door Support

Spring Door Support Plastic



013-096
Door Support
Black
2 Piece

013-096-1
Door Support
Black
1 Piece

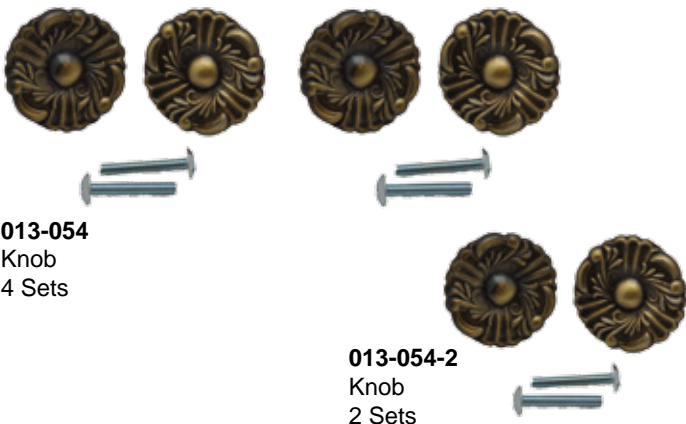
Bunk Latch With Flat Strike



013-081
Bunk Latch
Brass
1 Piece

013-081-E
Bunk Latch
English
1 Piece

English Knob

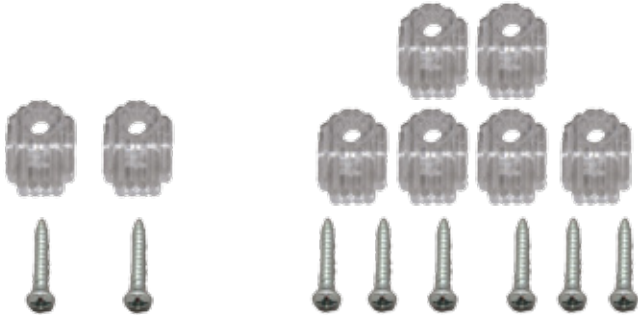


013-054
Knob
4 Sets

013-054-2
Knob
2 Sets

RV & MH Hardware

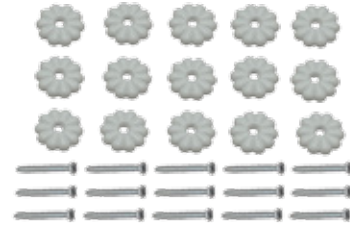
Mirror Clips



013-149
Clear Plastic Clips
2 Pieces

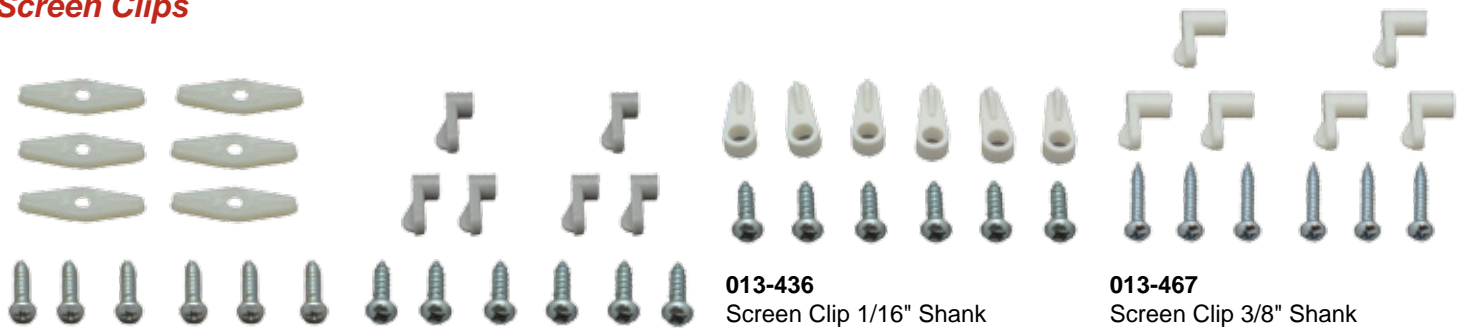
013-149-6
Clear Plastic Clips
6 Pieces

Rosettes With Screws



013-134
White Rosettes
15 Pack

Screen Clips



013-414
Double Wing Screen Clip
White
6 Pack

013-465
Screen Clip 3/16" Shank
Gray
6 Pack

013-436
Screen Clip 1/16" Shank
White
6 Pack
013-440
Screen Clip 5/16" Shank
White
6 Pack

013-467
Screen Clip 3/8" Shank
White
6 Pack
013-468
Screen Clip 7/16" Shank
White
6 Pack

3M Self-Stripping Electrical Pigtail Connectors



014-122084-100 100 Pack
014-122084-20 20 Pack
014-122084-5 5 Pack

Slide-Out Slicker / Slide-Out Sled

013-410051
Protect the carpet at both ends of a slide-out room from rain, dirt and wear.



013-4300

- Prevents Damage to Hard Surfaces
- Durable PVC Coating
- Rubber Foam Backed to Prevent Sleds from Sliding
- Long Lasting And Reusable
- 2 Sleds Per Package

RV & MH Hardware

Replacement Caps



013-213
Replacement Cap for City Water
(013-115 & 013-116)

Rivets



013-139
1" Plastic Rivet
Almond
25 Pack



013-140
1" Plastic Rivet
White
25 Pack

Air Diffusers & Outlets

**4" Rotaire Register 3840R
With Damper**



013-060
Walnut
013-062
Beige
013-068
White
013-638
Black

Flexible Air Duct



013-3100-M
4" x 25'
013-665
2" x 25'

Metal Floor Registers



Part #	Size	Overall Size	Color
013-640	2-1/4x10	3-5/8x11-3/8	<i>White</i>
013-641	2-1/4x10	3-5/8x11-3/8	<i>Brown</i>
013-625	4 x 8	5-1/4 x 10	<i>White</i>
013-626	4 x 8	5-1/4 x 10	<i>Brown</i>
013-627	4 x 10	5-1/4 x 12	<i>White</i>
013-628	4 x 10	5-1/4 x 12	<i>Brown</i>
013-629	4 x 12	5-1/4 x 14	<i>White</i>
013-630	4 x 12	5-1/4 x 14	<i>Brown</i>

Metal Face Plates



Part #	Size	Overall Size	Color
013-642	2-1/4x10	3-5/8x11-3/8	<i>White</i>
013-643	2-1/4x10	3-5/8x11-3/8	<i>Brown</i>
013-631	4 x 8	5-1/4 x 10	<i>White</i>
013-632	4 x 8	5-1/4 x 10	<i>Brown</i>
013-633	4 x 10	5-1/4 x 12	<i>White</i>
013-634	4 x 10	5-1/4 x 12	<i>Brown</i>



Table Legs & Support

Adjustable Table Leg Folding

Adjustable legs fold up for easy compact storage when not in use. Adjustments allow for universal applications, brown in color and made from Steel. 29 lb. weight capacity



- 013-070** Adjusts from 26" - 31-1/2" in 1/2" increments
- 013-135** Adjusts from 19-1/2" - 31-1/2" in 1" increments

Non Adjustable Table Leg Folding

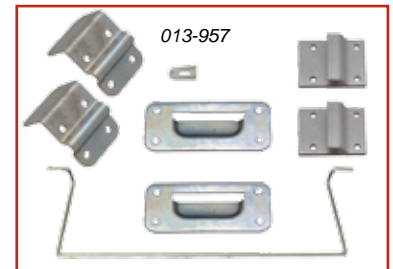
This folding Leg offers a fixed length for those that do not need the adjustability. Brown in color and made of steel for long lasting support. Folds away flush for storage.



- 013-071** Leg measures 30-1/2" extended 30 lb. weight capacity
- 013-621** Leg measures 16" extended 100 lb. weight capacity

Table Hinge Bracket Kit

Heavy Metal Hinge swings up and down for support in both Table and Gaucho positions. No need for bedding box cleats. Buy as a complete Kit or, individual pieces as needed.



- 013-957** Complete Kit includes all pieces
- 013-958** Wire only
- 013-959** Wall Plate - 2 ea
- 013-960** Bracket Hinge - 2 ea
- 013-961** Table Plate - 2 ea

Folding Shelf Bracket

Fits any type of wall hung shelf. Ideal for heavy shelf loads. Top flange is 9" long and wall flange is 6" long. No other fill in or frames needed.



013-6090 Folding Shelf Bracket 2/Pack

Pedestal Table Legs & Bases

Pedestal Legs and Bases offer strong support for use with a table and easily stow out of the way when wanting to convert to a Gaucho. Chrome plated Legs feature tapered ends to securely fit into bases for steady fast support. Aluminum bases are offered in either Surface Mount or Recessed Models. All legs and bases come packaged 1 per.



- 013-913** 18" Leg Chrome
- 013-916** 21" Leg Chrome
- 013-926** 25-1/2" Leg Chrome
- 013-939** 27-1/2" Leg Chrome
- 013-939B** 27-1/2" Leg Black
- 013-951** 29-1/2" Leg Chrome
- 013-956** 31-1/2" Leg Chrome
- 013-1119** Round Surface Mount Base Chrome
- 013-1119B** Round Surface Mount Base Black
- 013-1112** Round Flush Mount Base Chrome
- 013-1112B** Round Flush Mount Base Black

Folding Table Leg

Folding Table Leg offers strong support for table and folds away when using as Gaucho. Large attachment base measures 4-1/2" x 4-7/8". Leg measures 30-1/2" long and offers positive lock in both positions with convenient release latch.



013-251 Folding Table Leg

Table Wall Mount Support

Table - Wall support bracket measures 30" in length and may be cut to desired length. Two pieces hinge together as one side mounts to wall and one side mounts to table. Slide units together and bracket provides strong secure support for removable table. Use with separate Table Leg.



013-164922 Table - Wall Support bracket

Folding Table Bracket

Small compact design offers strong support in a smaller space. 1-1/2" wide by 2-1/2".



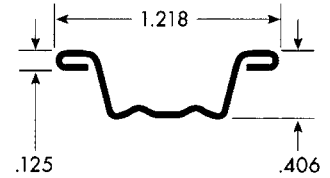
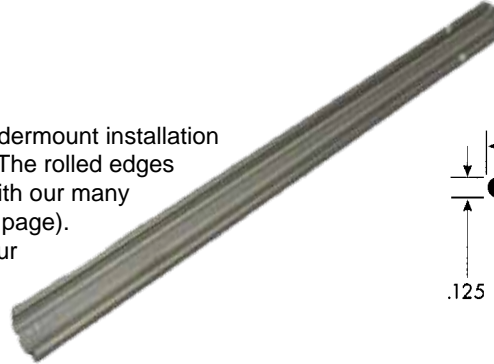
013-250 Folding Table Bracket, 4/pk

Grace Drawer Hardware

Drawer Slide System

800 SERIES GRACE DRAWER SLIDE SYSTEM
 013-207 (21-1/2")
 013-208 (24")

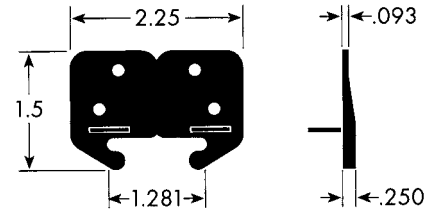
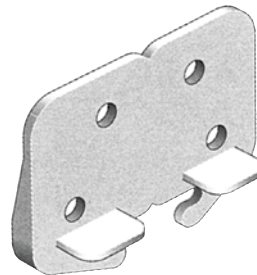
The 800 Series Drawer Slide System features fast and easy undermount installation coupled with smooth drawer action at a truly economical price. The rolled edges of the 800 Series Rail provide greater strength when coupled with our many varied component parts and mounting options (featured on this page). This rail provides a versatile drawer slide system adapted to your specific needs.



Plastic Components

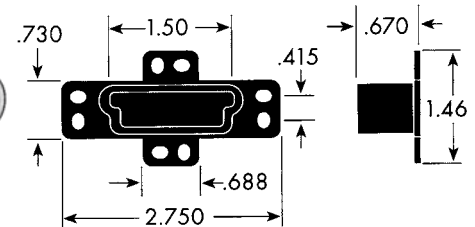
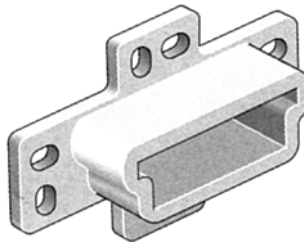
013-209 GRACE Model No. 100 Backplate (6 pcs)

This natural-color, HDPE backplate is used with our 800 Series Rail. Molded mounting holes, height alignment tabs, and centering guides provide for easy screw or staple installation.



013-210 GRACE Model No. 110 Socket (6 pcs)

Provides for secure attachment of our 800 Series Rail to the case back or framing member. Molded mounting slots for easy screw or staple installation. Socket depth allows for rail length adjustment up to .375 inch.



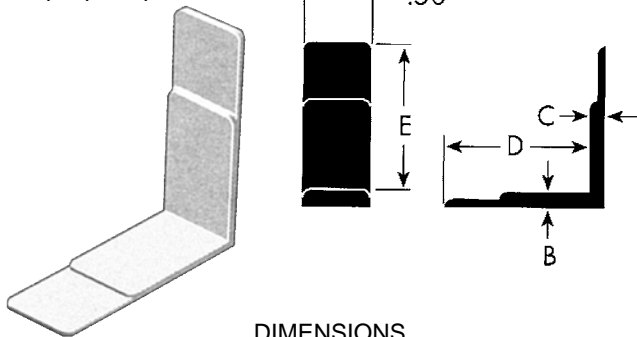
Tech Tip

Our model No. 110 Socket is designed for use in two orientations. the socket may be anchored so as to provide side-to-side adjustability, or inverted for precision alignment.

Corner Glide

013-211 GRACE Model No. 200 Corner Glide

This corner glide possesses superior wear and lubricity for smooth and quiet drawer action. Easy staple installation through the staple pads provided.



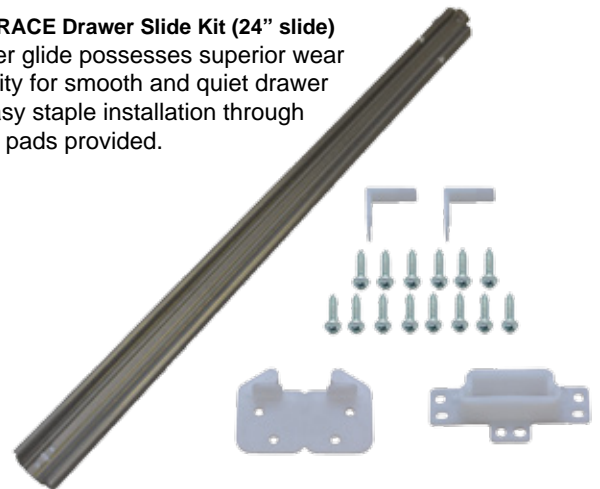
DIMENSIONS

Model	B	C	D	E	Weight/1000
200	0.093	0.093	0.969	0.969	3 lbs.

Drawer Slide Kit

013-212 GRACE Drawer Slide Kit (24" slide)

This corner glide possesses superior wear and lubricity for smooth and quiet drawer action. Easy staple installation through the staple pads provided.



Also available
 013-227 GRACE Drawer Slide Kit (21 1/2" slide)

Delta Drawer Guides

Hanger & Drawer Guide Sets w/Screws

013-083
22-1/2" Drawer Guide



Delta Drawer Slide

013-102
24" Drawer Slide



013-103
21-1/2" Drawer Slide



DELTA Roller Pad

013-107
Roller Pads
6 pack
Standard Base for all
universal applications



Deluxe Drawer Guide

013-082-6
Deluxe Drawer Guide
6/Ctn



DELTA Travel Stop

013-109
DELTA Travel Stop
1 Piece



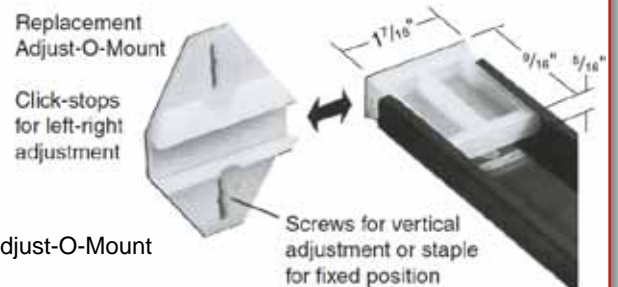
DELTA Drawer Plate

013-110
DELTA Drawer Plate



DELTA Adjust-O-Mount

013-111
DELTA Adjust-O-Mount
1 Piece



Grayline Housewares



004-213 Plate Rack



004-710 Jumbo Helper Shelf



004-702 Extendible Helper Shelf



004-201 Bowl & Saucer Stack & Tote



004-322 Twin Sink Saver



004-220 Garbage Bag Kaddy



004-231 Wrap Rack (Door or Wall)



004-259 12 Can Beverage Dispenser



004-225 Waste Basket



004-505 Spice Rack



004-506 Double Spice Rack

Grayline Housewares



004-500 Medium Cabinet Rack



004-1102 Handy Portable Shower Caddy



004-1722 Compact Over The Door Towel Bar





004-501 Large Cabinet Rack



004-310 Double Towel Bar



004-1723 Narrow Back-Of-the Door Towel Bar



Shelf Hog

004-514

The premier organizational product for today's RV. The Shelf Hog holds everything in place - stabilizing the contents of refrigerators, cabinets, and all other storage spaces. Simply inflate to the size necessary to fill empty spaces between or on top of items and hog up the extra space. The fatter the Shelf Hog is the tighter it holds. Easy to store and clean.

Gas Props & Accessories

AP Products Hardware Gas Springs

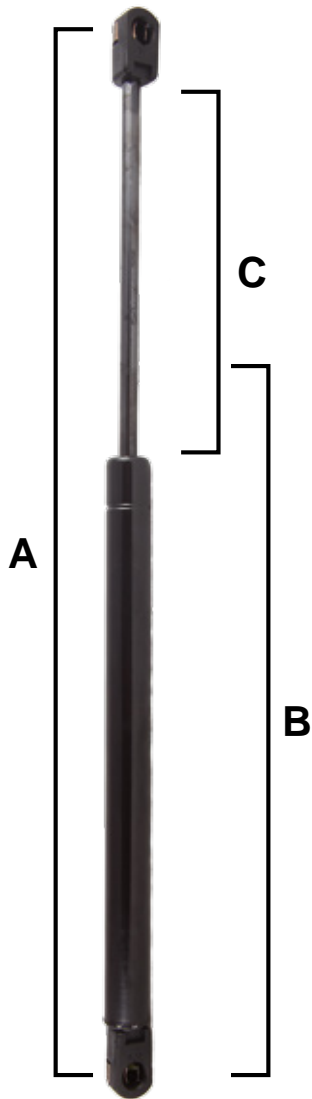
Suspa No.	Part No.	P1 Force	Stroke Length	Extended Length C/L	Refer to Fit Chart
C-16-26210	010-612	15 lb	2.25"	7.50"	
C-16-03213	010-224	13 lb	3.10"	9.80"	1
C-16-10334	010-226	22 lb	3.10"	9.80"	1
C-16-17522	010-177	55 lb	3.15"	9.84"	7-8
C-16-09322	010-178	40 lb	3.15"	9.84"	1
C-16-09903	010-255	24 lb	3.94"	11.57"	8-2
C-16-03795	010-065	24 lb	3.94"	12.20"	1-2-6
C-16-11028	010-112	40 lb	3.94"	12.20"	1
C-16-13313	010-175	30 lb	3.94"	12.20"	6-1
C-16-02716	010-176	13 lb	3.94"	12.20"	8
C-16-10788	010-195	35 lb	3.94"	12.20"	1
C-16-12107	010-636	100 lb	3.94"	12.20"	
C-16-22360	010-143	35 lb	4.92"	13.03"	1
C-16-08584	010-072	60 lb	5.47"	13.98"	1
C-16-10176	010-076	35 lb	5.47"	13.98"	1
C-16-09461	010-173	40 lb	5.47"	13.98"	1
C-16-06389	010-174	24 lb	5.47"	13.98"	1
C-16-11543	010-130	40 lb	4.92"	14.53"	1
C-16-22127	010-196	50 lb	5.47"	15.08"	1
C-16-08941	010-254	28 lb	6.30"	15.71"	1
C-16-21945	010-142	20 lb	6.46"	15.98"	1
C-16-21949	010-189	60 lb	6.46"	15.98"	1
C-16-06867	010-050	60 lb	6.30"	17.13"	1
C-16-02648	010-073	35 lb	6.30"	17.13"	1-6
C-16-06874	010-074	40 lb	6.30"	17.13"	1-6
C-16-04445	010-075	55 lb	6.30"	17.13"	1
C-16-08789	010-170	79 lb	6.30"	17.13"	1
C-16-02622	010-172	28 lb	6.30"	17.13"	1-6
C-16-15645	010-225	20 lb	6.30"	17.13"	1-9
C-16-04270	010-253	45 lb	6.30"	17.13"	1
C-16-21871	010-602	100 lb	12.80"	29.75"	

Suspa No.	Part No.	P1 Force	Stroke Length	Extended Length C/L	Refer to Fit Chart
C-16-06889	010-624	97 lb	6.30"	17.13"	
C-16-21947	010-144	30 lb	7.28"	17.48"	1
C-16-21948	010-146	45 lb	7.28"	17.48"	1
C-16-20651	010-623	40 lb	7.87"	18.70"	
C-16-08054	010-051	100 lb	7.87"	19.69"	1-5-2
C-16-08053	010-077	80 lb	7.87"	19.69"	1-5-2
C-16-17566	010-164	150 lb	7.87"	19.69"	1-5-2
C-16-08376	010-165	135 lb	7.87"	19.69"	
C-16-17796	010-167	110 lb	7.87"	19.69"	1-5-2-3
C-16-08260	010-168	60 lb	7.87"	19.69"	1-5-2-3
C-16-08316	010-169	40 lb	7.87"	19.69"	1-2-5
C-16-08055	010-171	120 lb	7.87"	19.69"	1-5-2
C-16-09786	010-197	30 lb	7.87"	19.69"	1
C-16-21478A	010-521	180 lb	7.87"	19.69"	1
C-16-19222	010-603	90 lb	7.87"	19.69"	5
C-16-24764	010-608	13 lb	7.87"	19.69"	
C-16-08568	010-609	20 lb	7.87"	19.69"	
C-16-21950	010-190	60 lb	8.86"	20.83"	5
C-16-04650	010-293	160 lb	7.87"	21.00"	5
C-16-12181	010-158	150 lb	10.24"	26.34"	1
C-16-12038	010-159	120 lb	10.24"	26.34"	1
C-16-12666	010-160	100 lb	10.24"	26.34"	1
C-16-13334	010-161	87 lb	10.24"	26.34"	5
C-16-12492	010-162	74 lb	10.24"	26.34"	5
C-16-16142	010-163	60 lb	10.24"	26.34"	
C-16-20373	010-522	40 lb	12.24"	26.34"	1-5-7
C-16-13677	010-604	200 lb	11.81"	28.07"	4-7
C-16-23717	010-610	100 lb	12.38"	28.00"	
C-16-21871	010-602	100 lb	12.80"	29.75"	
C-16-10944	010-155	80 lb	16.14"	35.43"	5
C-16-10198	010-156	60 lb	16.14"	35.43"	5
C-16-27007A	010-123	250 lb	16.14"	35.43"	w/Clip

Fit Chart

- | | |
|----------------------------|-----------------------------|
| 1) MH - Motor Homes | 5) TL - Truck Lids |
| 2) TT - Travel Trailer | 6) Truck Cap Door / Windows |
| 3) TC - Tent Camper | 7) Cargo Trailer |
| 4) ST - Snowmobile Trailer | 8) Catering Truck |
| | 9) Goshen Coach |

Gas Props & Accessories



MEASUREMENTS

All lengths are measured from center to center of the cylinders end fittings.

A) is the extended length
B) is the compressed length
C) is the stroke length

The weight measurement should be stated on the chamber.

Installation Instructions

Have someone hold the hatch, hood, trunk, or rear window open while replacing the lift support. Do not use a prop.

Before removing the old lift support, examine any hardware provided to determine which components must be reused.

The new lift support must be installed in the same position as the one which was removed. Do not scratch rod.

When installing the rod, the chamber side must be placed upward while the rod side is down.

Removable Ball Connectors

Remove old lift support by prying off the retaining ring, cap lock, or the security lock ring.

Press new lift support onto ball stud and properly install retainer.

End Fittings



10mm Plastic Ball Socket w/ Integral Clip

010-233
fits 10" to 20" Prop

010-232
fits 21" to 36" Prop



8mm (5/16") Eyelet Style w/ Plastic Bushing Hole and Width .709" (18mm)

010-523
fits 10" to 20" Prop
(2/Ctn)

010-524
fits 21" to 36" Prop
(2/Ctn)

Gas Prop Brackets / Ball Studs

010-079
3/4" L Shaped
10mm Ball Stud
(1/Ctn)
010-079-2
(2/Ctn)



010-187
Hat Shaped Slotted
10mm Ball Stud
(1/Ctn)
010-187-2
(2/Ctn)



010-145
1-1/4" L Shaped
10mm Ball Stud
(1/Ctn)
010-145-2
(2/Ctn)



010-080
10mm Ball
(1/Ctn)
010-080-2
10mm Ball
(2/Ctn)
010-525-2
13mm Ball
(2/Ctn)

010-188
3" L Shaped
10mm Ball Stud
(1/Ctn)
010-188-2
(2/Ctn)



010-078
Flat Shaped
10mm Ball Stud
(1/Ctn)
010-078-2
(2/Ctn)



Adhesives

Automotive Black Silicone



Part No. 002-27039
Quantity 85 g
12/ctn

1200 Series Clear Silicone



Part No. 002-12007
Quantity 14 fl. oz.
24/ctn

1200 Series Black Silicone



Part No. 002-12270
Quantity 14 fl. oz.
24/ctn

Bulb Grease



Part No. 002-85184
Quantity 3 oz.
6/ctn

Black Silicone



Part No. 002-27039
Quantity 3 oz.
12/ctn

Fuel Tank Repair Kit



Part No. 002-90180
Quantity 30 g
6/ctn

Plastic Welding System



Part No. 002-47809
Quantity 25 ml
6/ctn

Flowable Windshield Silicone



Part No. 002-75009
Quantity 12/ctn

Yellow Weatherstrip Adhesive



Part No. 002-80050
Quantity 5 fl. oz.
12/ctn



Adhesives

Self-Fusing Silicone Tape



Part No. 002-82112
Quantity 6/ctn

Self-Fusing Silicone Tape High Temp Range



Part No. 002-82114
Quantity 6/ctn

WrapIt™ Repair Silicone Tape



Part No. 002-82110
Quantity 6/ctn

Threadlock Blue



Part No. 002-24536
Quantity 36 ml 12/ctn

Plastic Tank Repair Kit



Part No. 002-90214
Quantity 30 g 6/ctn

Fiberglass, Porcelain, & Plastic Repair Kit



Part No. 002-90216
Quantity 30 g 6/ctn

Threadlock Red



Part No. 002-27536
Quantity 36 ml 12/ctn

H2 Hold™ Underwater Epoxy



Part No. 002-22445
Quantity 25 ml 6/ctn

Flow Mix® Cold Weld Epoxy



Part No. 002-24445
Quantity 14 ml 6/ctn

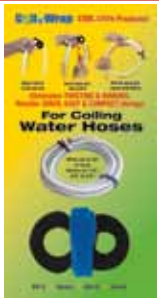
Clear Weld Epoxy



Part No. 002-47609
Quantity 25 ML 6/ctn

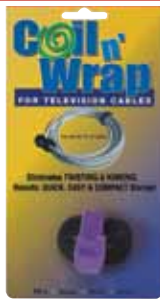
COIL N' WRAP Products

Water Hose Coiler



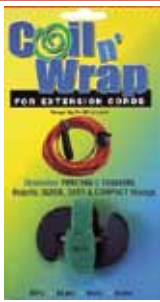
Part No. 006-1
Quantity 12/ctn

TV Cable Coiler




Part No. 006-2
Quantity 12/ctn

16 Gauge Extension Cord Coiler



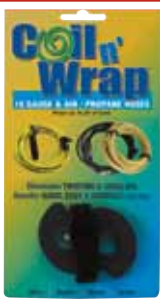
Part No. 006-3

30 Amp Electrical Cable Coiler




Part No. 006-4

10 Gauge Cords, Air & Propane Hoses Coiler



Part No. 006-5

12-14 Gauge Extension Cord Coiler



Part No. 006-43

Awning Cinch Straps



Part No. 006-6

Main/Patio Awning Pull Strap 96"



Part No. 006-17

Window Awning Pull Strap



Part No. 006-18

Awning Hangers



Part No. 006-20
Quantity 12/ctn

Clip n' Clamps



Part No. 006-21
Quantity 12/ctn

Velcro One Wrap Buckle Straps 6 Pack



Part No. 006-7
Quantity 12/ctn

Grommet Strap 18" Long - 1/pkg



Part No. 006-37
Quantity 12/ctn

Hi Temp Sticky Back Hook & Loop



Part No. 006-71
Quantity 12/ctn

Wonder Wrap (Singles)



Part No. 006-73
Quantity 12/ctn

COIL N' WRAP Products

16" Clinch Straps



Part No.
006-75
Quantity
12/ctn

Heavy Duty Carry Strap



Part No.
006-8

Bling Bling Blinker 6-Pack



2 each of Jade & Pink,
Blue & White, and Red,
White & Blue
Part No.
006-85-6

30 Amp Plug Dog 3 Prong



Part No.
006-15

50 Amp Plug Dog 4 Prong



Part No.
006-16

Bling Bling Blinker Display 36 Units



Part No.
006-85
Quantity
2/ctn

Light Check & Safety Plug



Part No.
006-114
Quantity
12/ctn

Xtreme Vent Coupler Kit



Part No.
006-99

Water Check Test Kit Display 12 Units



Part No.
006-115
Quantity
12/ctn

Xtreme Vent Grey



Part No.
006-80
Quantity
10/ctn

Xtreme Vent White



Part No.
006-79
Quantity
10/ctn

Glow Max Cordless Light Switch

- No Wiring Needed
- New C.O.B. Technology
- Batteries Included

- 3 Different Mounting Options
- Easy to Install
- Offered in 200 Lumens and 400 Lumens



025-020
200 Lumens



025-040
400 Lumens

Plug-Guard  **Total Plug Protection**

Clean, efficient and secure protection from the elements for the male plug of your trailer's wiring harness, while the trailer is not in use. Plug Guards attach to the hitch frame or to the 5th wheel box with two self rapping screws (included).



008-324
4-way Plug-Guard™

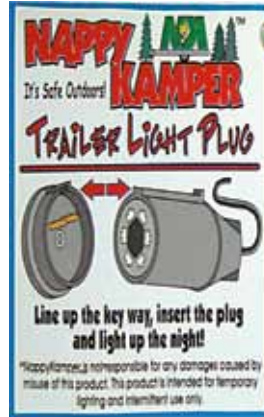


008-326
6-way Plug-Guard™



008-320
7-way Plug-Guard™

Nappy Kamper **Trailer Light Plug**



No tools or batteries needed. This unique device reroutes your battery charge line to light up your running lights on your trailer. Ideal for when you are plugged into Shore Power AC hook up. You will enjoy the festive light atmosphere as well as the safety of added light.



008-100 Trailer Light Plug

Fusion Wrap

Quick Emergency Repairs
No Adhesives
Bonds Only To Itself... Even If Wet!
Extreme Temperature Resistant
90°C to 260°C (550°F)
Insulates to 12,000 Volts
Uses for Wrap-id: Indoor/Outdoor, Electrical/Plumbing, House and Shop, Automotive/Trucking, RV/ Marine, Sport/Tool Handle Grip Wraps and Cable Wraps



006-WFP2012
Fusion Wrap 12' Roll



006-WFP2036
Fusion Wrap 36' Roll



006-WS25
Wrap-id Smooth 25' Roll

Super RV Jack Pad



- Great for every RV Owner in preventing the jack legs from sinking into the ground.
- Available in 2 packs or 4 packs
- Dimensions: 10" x 14" x 0.75" Thick
- Five Year Replacement Warranty
- Lightweight and easy to use
- Tested to handle 40,000 lbs.

007-27257 2 Pack
007-47257 4 Pack

Super Dolly Trailer



007-87825 2 Pack

- The Super Dolly Trailer & Bus pad provides a safe and easy way to prevent stabilizer legs from sinking into the ground.
- Dimensions: 15" x 17" x 1" Thick
- Five Year Replacement Warranty
- Tested to handle 100,000 lbs.
- Use Perforated Side Up (Smooth Side Down)

A mouse or rat problem in your RV is not only annoying, it can also be hazardous.

If mice or rats have infested your 'getaway', then your vehicle is prone to the expensive damage resulting from them chewing through wiring and nesting in vital components. Even worse, you and your family could be prone to offensive odors, potential messes and even disease.

Fresh Cab botanical rodent repellent is a 100% natural blend of corn cob chips, plants and herbal extracts that freshens and protects. Our all-natural repellent has the ability to repel mice & rats in leisure vehicles and hunting equipment and has been:

- Proven by several independent studies
- Registered by the federal EPA
- Awarded the USDA Green Seal of Approval

How it Works

Fresh Cab Pouches are made with a natural blend of plant fiber and botanical extracts that rodents find offensive, but people find pleasant. Simply place pouches in your recreational vehicles and property, depending on size and components, to immediately start controlling your mouse problem.



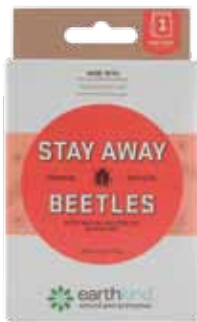
Fresh Cab

- 020-126**
U.S. Version
4 Pouches per Box
- 020-127**
Canadian Version
(meets local codes)
4 Pouches per Box
- 020-129**
12 Pack Clip Strip
U.S. Version
1 Pouch per Box
- 020-128**
8 Pack Display Tray
U.S. Version
1 Pouch per Box



Place where food particles are present. Keeps ants out by emitting a scent pleasant to people, but offensive to super-sensitive ants.

020-130
Stay Away® Ants



Place around windows, doors, or anywhere you want to keep beetles and bugs from entering. Emits a rosemary scent that sends them back outdoors.

020-131
Stay Away® Beetles



Moths seek quiet, undisturbed areas to lay their eggs. Place pouches in these areas to protect your garmets. Pouches emit a scent pleasant to humans, but offensive to moths.

020-132
Stay Away® Moths



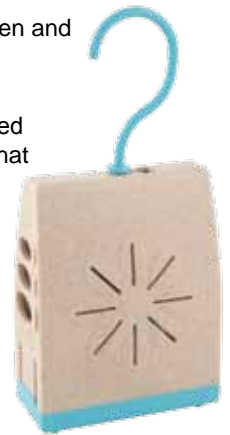
Place pouches to disrupt a spider's sophisticated senses, keeping them out of treated areas with a scent pleasant to humans, but offensive to spiders.

020-133
Stay Away® Spiders

Stay Away®

Stay Away® Pouch Pod™

- Preserves the essential oils for up to 3x longer
- Prevents curious children and pets from tampering with pouch
- Protects finished wooded surfaces and clothing that may be affected by essential oils



020-134
Stay Away® Pouch Pod™



008-644
Climate Bug Shield
Hatch Door Seal
Seals gap between Electrical Cord and Hatch Door



008-645
Climate Bug Shield
Hatch Door Seal- Blank
Seals Hatch Door hole when not using cord



008-646
Climate Bug Shield
Hatch Door Seal- Round
Seals hole where Electrical Cord exits Hatch

Bug Shield



Trailer/RV Shield keeps bugs, mice, and weather from infiltrating your living quarters. High quality, long lasting rubber. Made in the USA.

Star Lights - LED Lighting Solutions

Brilliant Light Fixture with LED Array Light fixture features advanced LED Array for greater light output, longer life and less power consumption than conventional incandescent bulbs. Fixture comes with standard "on/off switch" module. Additional modules may be purchased separately in order to add custom features/ Pick and choose the features that best suit your situation or environment.

Customizable Ceiling Light Brilliant Light 3002



016-BL3002 (4200K)
Single LED Light Fixture
016-BL3000
Single Incandescent Light Fixture
(5 1/4"H x 8 1/2"W x 2"D)

Customizable Ceiling Light Brilliant Light 3003



016-BL3003 (4200K)
Dual LED Light Fixture
016-BL3001
Dual Incandescent Light Fixture
(5 1/4"H x 12"W x 2"D)

Brilliant Modules/Accessories

Brilliant Modules are designed to be used with any Brilliant fixture. Select a module that offers the specific feature you desire and simply plug it into your fixture. Modules will allow you to enhance your fixture capabilities with features such as dimmer, motion light, etc...



Dimmer Dial

Enables user to adjust brightness of light output to meet desired effect.
016-BL3004



Night Light

Gives fixture a soft light at night allowing you to move about without disturbing others.
016-BL3005



Motion Detector

Enables fixture with motion sensing capabilities. Light will automatically come on at night when motion is detected.
016-BL3006



PCB Adapter

Allows you to insert a variety of custom modules, including a dimmer dial, led night light, motion sensor and more.
016-BL3007



Day/Night Sensor

Light will come on automatically at night time and turn off automatically when day time arrives.
016-BL3008



Replacement Lens

Replacement lens for Brilliant Light Single and Dual Dome Lights.
016-BL3009



12 Volt Jack

Can be inserted into any Brilliant Light Fixture. The module will power bunk lights, fans, and many other 12 volt accessories.
016-BL3010



Replacement LED

(4200K) **016-BL250**
Also available in 300 lumens (4200K) **016-BL300**

Star Lights - Exterior/Interior Light Fixtures

12v Exterior Lighting Replacement Scare Light 2000

Flush mount easy install replacement scare light fixture. DOT compliant and LED compatible. May be connected with any motion activated Smart Light to turn on and off simultaneously (using the 2000FB fused switch box). 9 1/4"H x 11 1/4"W x 2 1/4"D
016-RSL2000 WHITE
016-RSL2000B BLACK



Solarian LED Round Light Fixture

Surface mount interior LED replacement fixture. Produces 330 LMS of warm light. State of the art PWM ensures voltage spikes will not damage the unit (8-30 volts). Specially designed lens disperses light evenly allowing the entire face to glow. Simple 2 wire installation. Low profile. 5"R x 1"D
016-SON 102 BLACK
016-SON 103 WHITE
016-SON 104 BRUSHED NICKEL



Motion Activated Lighting Fixtures



Illuminates those areas around your RV for safety and security. Motion range can be set for 10-25 feet. Installs easily, uses same hole pattern and wiring as most standard lights. Star Monitor indicates RV's battery condition and helps preserve your coach battery.
 4 1/4"H x 10"W x 2"D
016-SL1000 WHITE
016-SL1000B BLACK
016-RL1000 CLEAR LENS KIT
016-AL1000 AMBER LENS KIT
 9 1/4"H x 12 1/4"W x 2"D
016-SL2000 WHITE
016-SL2000B BLACK
016-RL2000 CLEAR LENS KIT
016-AL2000 AMBER LENS KIT

LED Motion Sensor Light Fixture Solarion 300™

Motion activated, surface mounted ceiling replacement LED light fixture. 2-way switch allows for continuous on or motion activated mode. Simple two wire installation. Long Life- unit will last 50,000 hours. 330 lumens; 3200 kelvins; 3.599 watts; 8-30 voltage. For interior use only.
016-SON 300 WHITE
016-SON 301 BRUSHED NICKEL



Universal 12v Dimmer Switch Brilliant Light 4000™

This universal dimmer switch will dim any 12 volt LED or incandescent fixture. Dims multiple lights on the same circuit. Unit will dim from 12 to 0 volts. Internal fuse protection. Smooth incremental dimming stages create an even and pleasant light at any level. For interior use only. Dimmer can be reset by holding the switch in down position for 5 seconds.
016-BL4000 BLACK
016-BL4001 WHITE



Amberizer Anti Bug Bulb

Can be used with 1000 or 2000 Light Series. 2 Pack
016-AB10



Fused Relay Box

Synchronizes lighting fixtures and other electrical components to safely turn on and off simultaneously.
016-2000FB



Revolution SL-5000 RGB Color Changing LED Strip Light

Revolution 5000 LED Strip Light-RF Controller

Red industrial strength 3M tape ensures the light will adhere to nearly any surface. PU glue is water and UV resistant. Customizable- can be cut every 2 inches to desired length. Remote can program the light to dim, fade, strobe, change color and more. 3mm Thickness, RF Control, 16' Long
016-SL-5100



Strip Light Connector Kit

10 piece strip light connector kit. Customize your strip lights by cutting, splicing, and extending the rope light with the help of this kit.
016-SL5001



Music Box

The patented program allows your lights to turn on and off to the beat of the music. Lights will illuminate a single color, or multiple variations if chosen. Dial allows for many strobe patterns and speeds.
016-SL5002



Strip Light 110 Adapter

110v AC/12 v DC adapter. Universal plug allows high power 12 volt DC items to operate on 110v AC power. Compatible with LED light strips, and many other DC applications. 5 amp max.
016-SL5004



Strip Light Controller

Strip light remote control and IR RGB receiver. This remote can control the rope lights' brightness, color (16 different colors), or lighting effects- such as strobe, dim, fade and more. May be used on nearly any 12 volt strip/rope light.
016-SL5003



Controller Battery

Universal 3 volt lithium replacement battery.
016-CR2025



Star Lights - 12V Interior Replacement Bulbs & Lighting Fixtures

921-160/250

Patented design allows all 250 LMS of light to be directed where the light is needed. State of the art PWM (8-30v). Produces a warm light, and is available in 160 LMS option.
016-921-160 (3200K)
016-921-250 (3200K)



1141-150/200/300

Patented rotating design allows the light to be directed. State of the art PWM (8-30v). Available in cool and warm white, as well as white and black housings.
016-1141-150 (6500K)
016-1141-200 (6500K)
016-1141-200B (6500K)
016-1141-250 (3200K)
016-1141-300 (6500K)
016-1141-300B (6500K)



921-280/290

Fully dimmable, no EMI omnidirectional replacement. interior, exterior back up and brake lights. Available in cool white, warm white, and red.
016-921-280 (3200)
016-921-280R (RED)
016-921-290 (6500)



T8-18 & T8-15 LED

Patented quick connect wiring harness makes for easy installation, no need to cut out ballast or remove wires. State of the art PWM ensures voltage spikes will not damage the unit (9-25v). Extremely bright 810 LMS lasts 12 times longer. No mercury or other harmful chemicals. Runs cooler with no humming or buzzing. Produces a very clean, bright white light (85 CRI).
016-T818 18" LED
016-T512 12" LED



G4-160/205

Bi pin JC10 halogen replacement. Patented copper ribbon heat sync draws heat away from the components. Patented adjustable tilted housing allows for easy installation in small fixtures. State of the art PWM ensures voltage spikes will not damage the unit (8-30v). Available in side pin and back pin configurations.
016-G4-160SP (4200K) **016-G4205SP (4200K)**
016-G4160BP (4200K) **016-G4205BP (4200K)**



1141-350/400

Patented design allows the head to swivel. Available in warm and cool white. State of the art PWM ensures voltage spikes will not damage the unit (8-18v). Water proof design allows for interior and exterior use.
016-1141-350 (4100K)
016-1141-400 (6500K)



2099-230/270

Very bright frosted vanity bulb. State of the art PWM ensures voltage spikes will not damage the unit (8-30v). Available in cool and warm white.
016-2099-270 (3100)
016-2099-230 (6500)



1383-220/230

Standard BA15S base flood reading light. State of the art PWM ensures voltage spikes will not damage the unit (8-30v). Available in cool and warm white.
016-1383-220 (3100k)
016-1383-230 (6500k)



921-220/230

Wedge based flood reading light. State of the art PWM ensures voltage spikes will not damage the unit (8-30v). Available in cool and warm white.
016-921-220 (3100K)
016-921-230 (6500K)



1076-205/255

Dual contact single circuit dimmable omnidirectional replacement. No EMI.
016-1076-205 (3200K)
016-1076-255 (3200K)



Delux LED Cool White Bulb Replacements

SX T5

12" LED quick connect tube replacement.
 Lumens - 400
 Amp Draw - .340
016-781T5



SX T8

18" LED quick connect tube replacement.
 Lumens - 810
 Amp Draw - .326
016-781T8



SX G4

Bipin hologen replacement bulb. Replaces JC10
 Lumens - 135
 Amp Draw - .183
016-781G4



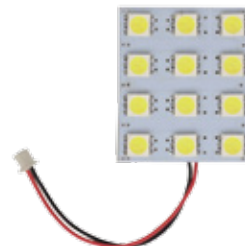
SX 921

Wedge base LED replacement.
 Lumens - 135
 Amp Draw - .183
016-781921



SX 1000

Universal adaptor kit & light board. (Replaces 1156, 921 & 1036 festoon fitting.)
 Lumens - 230
 Amp Draw - .233
016-7811000



SX 1156

Bayonet LED replacement.
 Lumens - 150
 Amp Draw - .266
016-7811156



Star Lights - 12V Exterior Replacement Bulbs (EMI Free)

7440-280

2 pack single circuit tail light bulb.

- 016-7440-280 (6500K)
- 016-7440-280A (Amber)
- 016-7440-280R (Red)



7443-280

2 pack dual circuit tail light bulb.

- 016-7443-280 (6500K)
- 016-7443-280A (Amber)
- 016-7443-280R (Red)



1141-280/290

1 pack single circuit tail light bulb

- 016-1141-280 (3200K)
- 016-1141-280R (Red)
- 016-1141-290 (6500K)



3157-280

2 pack dual circuit tail light bulb.

- 016-3157-280 (6500K)
- 016-3157-280A (Amber)
- 016-3157-280R (Red)



1156-170

2 pack single circuit tail light bulb.

- 016-1156-170 (6500K)
- 016-1156-170A (Amber)
- 016-1156-170R (Red)



1036-25

2 pack single circuit running light bulb.

- 016-1036-25 (6500K)
- 016-1036-25R (Red)



194-70

2 pack single circuit running light bulb.

- 016-194-70 (6500K)
- 016-194-70A (Amber)
- 016-194-70R (Red)



3156-280

2 pack single circuit tail light bulb.

- 016-3156-280 (6500K)
- 016-3156-280A (Amber)
- 016-3156-280R (Red)



1157-170

2 pack dual circuit tail light bulb.

- 016-1157-170 (6500K)
- 016-1157-170A (Amber)
- 016-1157-170R (Red)



LOAD RESISTOR

Simulates a filament bulb load in case of increase turn signal flash rate.

- 016-157LR



57-75

Replaces BA95 base 57 incandescent. Used for side marker, parking lights, instrument panel and more. 2 pack

- 016-57-75



Incandescent Bulb Replacements

57 BASE

- 016-02-57



194 BASE

- 016-02-194



921 BASE

- 016-02-921



JC 10 BASE

- 016-02-JC10



1036 BASE

- 016-02-1036



1003 BASE

- 016-02-1003



1156 BASE

- 016-02-1141-1156



1157 BASE

- 016-02-1157



1076 BASE

- 016-02-1076



1383 BASE

- 016-01-1383



2099 BASE

- 016-01-2099



3156 BASE

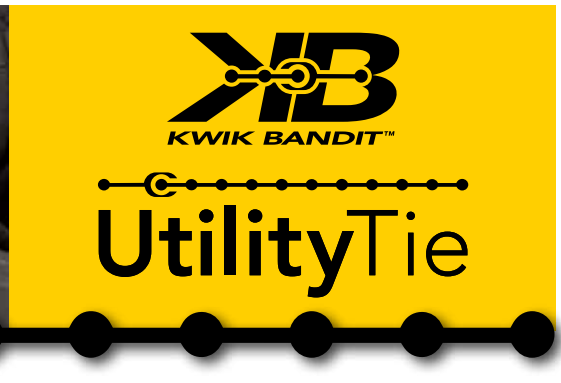
- 016-02-3156



3157 BASE

- 016-02-3157

BANDING THE WORLD TOGETHER.



KWIK BANDIT™ THE UTILITY TIE THAT YOU CAN'T LIVE WITHOUT, OR SHOULDN'T.

This easy connect system makes **Kwik Bandit™** very simple to use, just Stretch it, Wrap it and Lock it in place. If you spend any time outdoors then you need the best single piece of gear that has unlimited uses – **Kwik Bandit™**.

No knots to tie, and no rope to cut; replaces all bungee cords, zip ties and straps in your possession. Our product lasts longer than conventional binding and banding products, **Kwik Bandit™** stands strong, and is ready to use, again and again.

Available in 8, 14 and 24 inch lengths the **Kwik Bandit™** is super strong and resilient. Easy on the hands, no snap back like traditional bungee cords and are good in temperatures from -55°C to 120°C.



Available in 8, 14 and 24 inch lengths

Check out our introductory offer, and wrap your minds around this great new innovation.

STRETCH, WRAP, LOCK.



EASY TO USE



SAFER THAN ROPES

KWIK BANDIT™ Versatile, safe and easy to use banding product that is long lasting and reusable. **Stretch** it, **Wrap** it and **Lock** it in place.

Mini 008-7825



THE SMALLEST VERSION OF OUR PRODUCT LINE; COMPACT, EASY TO USE - PERFECT FOR QUICK, SMALL JOBS.

Made with a highly durable rubber compound that resists extreme weather, sun damage and repeat usage.

Kwik Bandit™ can be stored in a glove box, tool box, drawer or even your pocket. No cumbersome, knotted ropes, ratchets, or clumsy and dangerous bungee hooks. Great for around the house, shop, cottage, garden, and vineyard.

The Mini **Kwik Bandit™** has a 10lb. axial Work Load Limit (WLL), 8 inches in length, cord diameter of 1/8" and 1/4" ball stops.

Heavy Duty 008-7242



THE LARGEST OF THE **KWIK BANDIT™** PRODUCT LINE, HAS THE HIGHEST TENSILE STRENGTH AND CAN BE USED IN INDUSTRIAL SETTINGS FOR SECURING THOSE HEAVY LOADS.

Combined with either the Standard (UT14-2LP) or Heavy Duty (UT24-2LP) Lock Pin options, you can easily combine several together, forming a strong chain. A great way to work with very large objects or securing and bundling all your industrial materials.

Kwik Bandit™ replaces those other dangerous binding products that have caused serious workplace injuries from normal operation. Perfect for organizing large cables and hoses, for binding pipes, tubes and cam lock safety straps.

The Heavy Duty **Kwik Bandit™** has a 75lb. axial Work Load Limit (WLL), 24 inches in length, cord diameter of 5/16" and 3/8" ball stops. (Maximum bundling diameter of 8 inches using a single band).

Standard 008-7142



THE MID-SIZED **KWIK BANDIT™** IS LONGER AND PERFECT FOR TYING DOWN LOADS FOR TRANSPORT AND SECURING EQUIPMENT.

The standard **Kwik Bandit™** with the Lock Pin (UT14-2LP) option can be easily combined to form long chain of rubber bands which are ideal for securing small to medium sized sports equipment to a roof rack, organize musical equipment, yard and garden tools hang easily and quickly.

These easy to use locking straps require no knots or complex ratchet straps, just a simple **Stretch, Wrap, Lock**.

The Standard **Kwik Bandit™** has a 50lb. axial Work Load Limit (WLL), 14 inches in length, cord diameter of 1/4" and 1/2" ball stops.

Kwik Bandit™ offers a 30 day guarantee on its products from defect in workmanship or materials.



Tank Check™

Accurately Measures Level Of LP

The LPG Tank Check is able to accommodate a variety of LP Tanks and provide you with up to date levels. Tank Check's unique Sensors accurately measure your Tanks LP level and communicate that information to you via the optional Monitor or through the use of most any device equipped with Blue Tooth. The Sensor's Blue Tooth communications range enables remote monitoring up to 50' away, depending upon obstructions such as walls and other material. Monitoring the Sensor with a smart device requires downloading the free App.



MANY USES



Fork Lift Tank



RV Tanks



Home LP Tank

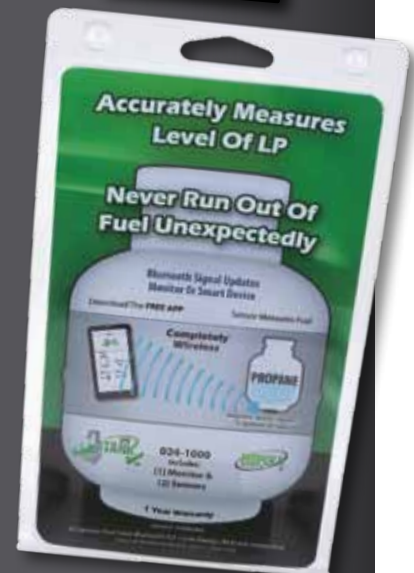


Home BBQ



Save The Hassle Of Constantly Checking Your LP Tank Level

Monitor It With Tank Check!



<i>Part#</i>	<i>Description</i>
024-1000	LP Tank Check Dual Sensor w/Monitor Kit
024-1001	LP Tank Check Single Sensor
024-1002	LP Tank Check Dual Sensor
024-1003	LP Tank Check 15 Pack
024-1004	LP Tank Check Monitor
024-1005	LP Tank Check Spacers
024-2001	LP Tank Check XL Sensor



LP Tank Stand 024-5001

- Light Weight and Folds Easily for Storage
- Stabilizes Cylinders on Uneven Surfaces
- Made from Heavy Duty Industrial Plastic
- For Use with 20, 30 or 40lb. Cylinders

NOCO® Snap-Top

SNAP-TOP® BATTERY BOXES



Injection molded polypropylene plastic boxes collect battery electrolytes, allow ventilation, and prevent accidental contact of ungrounded battery terminals. The patented Snap-Top® lid secures the lid to the base, heavy-duty handles resist cracking, and vent hole cover plugs limit water entry.

- 013-199** HM300BK, Standard Box, Black
Standard Box Fits Group 24 Batteries
Inside: (11"L x 7.87"W x 9.75"H),
Outside: (13.38"L x 10.13"W x 11"H)
- 013-200** HM327BK, Medium Box, Black
Medium Box Fits Group 27 Batteries
Inside: (13.38"L x 7.75"W x 10" H),
Outside: (16"L x 9.25"W x 10.25"H)
- 013-236** HM318BK, Large Box, Black
Large Box Fits Group 24-31 Batteries
Inside: (14.50"L x 7.87"W x 10"H),
Outside: (17.75"L x 10.13"W x 10.50"H)
- 013-526** HM306BK, 6V Single
Fits 6V Batteries
Inside: (11"L x 7.87"W x 12"H)
Outside: (13.38"L x 10.13"W x 12.25"H)

HEAVY-DUTY BATTERY BOXES

Dual, 6V battery boxes are rotationally molded from LLDPE. Feature a four-corner fastening system, captive lid, large cable entry holes, a large electrolyte reservoir, and full flow ventilation. Resists acid, gasoline, oil, salt, and chemicals. Impact resistant to -40°F (-40°C)



- 013-668** HM408, 6V Dual, End to End
Inside: (21"L x 9"W x 10.5"H),
Outside: (24.5"L x 12.5"W x 13"H)
- 013-669** HM426, 6V Dual, Side by Side
Inside: (14.75"L x 10.75"W x 12"H),
Outside: (18.25"L x 14.25"W x 14"H)

BATTERY TRAYS & STRAPS



Heavy-duty injection molded plastic battery tray is corrosion resistant. External mounting holes to resist battery movement.

- 013-11124** BT24, Battery Tray (Group 24)
(11.5"L x 8.4"W x 1.3"H)
- 013-11127** BT27, Battery Tray (Group 27)
(13.3"L x 8.4"W x 1.3"H)
- 013-670** BT31, Battery Tray (Group 31)
(14"L x 8.4"W x 1.3"H)
- 013-201** HM001, Replacement Battery Strap 42"L
- 013-607** HM006, Replacement Battery Strap 54"L



UV
RESISTANT

MADE IN USA

2018

AP Products

Plan-O-Gram Catalog



AP Products

Brakes.....	7-8	SIKA.....	11
Dap Spray Paint.....	1	STA'-PUT Spray Adhesive.....	1
EVCO	4	Starlights	12-18
Grayline Housewares.....	9	SUSPA Gas Props.....	6
Kwik Bandit.....	19	SYON	2
MH/RV Screws	3	Tank Check.....	10
Plug Guard	5		



DAP Spray Paint



PLAN-O-GRAM # 003-4003

AP Part#	Description	Qty
003-55273	Spray Paint - Aluminum	6
003-55274	Spray Paint - Gloss White	6
003-55275	Spray Paint - Flat Black	6
003-55276	Spray Paint - Gloss Black	6
003-55281	Spray Paint - Antique White	6
003-55285	Spray Paint - Almond	6

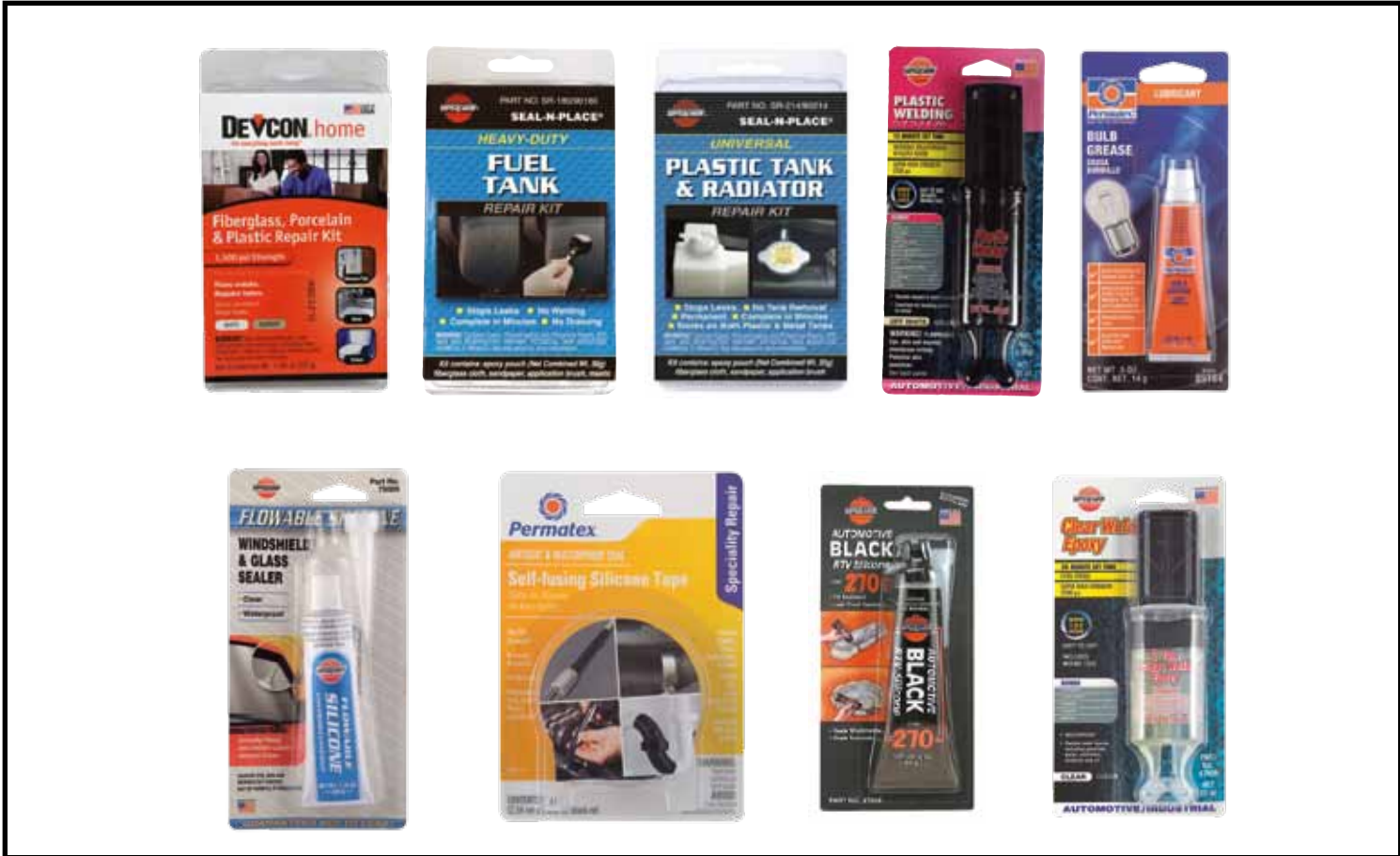
STA'-PUT Spray Adhesive

PLAN-O-GRAM # 001-4001



AP Part#	Description	Qty
001-S203	14 oz Adhesive Remover & Degreaser	3
001-SPH15ACC	15 oz Clear Hi Temp Spray	3
001-SPM16ACC	16 oz Clear SPM Spray	6
001-SP213ACC	13 oz Clear Sta'-Put II	3

SYON~VERSACHEM
Repair Kits & Expoxies



PLAN-O-GRAM # 002-4004

AP Part#	Description	Qty
002-90216	Fiberglass, Porcelain & Plastic Repair Kit	3
002-90180	Heavy Duty Fuel Tank Repair Kit	3
002-90214	Plastic Tank Repair Kit	3
002-47809	Plastic Welding System Carded	3
002-85184	Bulb Grease	3
002-75009	Flowable Windshield Silicone	3
002-82112	Self-Fusing Silcone Tape	3
002-27039	Black Silicone	3
002-47609	Clear Weld Epoxy System	3

MH/RV Screws



PLAN-O-GRAM # 012-4012

AP Part#	Description	Qty
012-TR50 8 X 1/2	Hex Washer Head 8 X 1/2	3
012-TR50 8 X 3/4	Hex Washer Head 8 X 3/4	3
012-TR50 8 X 1	Hex Washer Head 8 X 1	3
012-TR50 8 X 1-1/4	Hex Washer Head 8 X 1-1/4	3
012-TR50 8 X 1-1/2	Hex Washer Head 8 X 1-1/2	3
012-TR50 8 X 2	Hex Washer Head 8 X 2	3
012-DP100 8 X 1/2	Hex Self Drilling 8 X 1/2	3
012-DP100 8 X 3/4	Hex Self Drilling 8 X 3/4	3
012-DP100 8 X 1	Hex Self Drilling 8 X 1	3
012-DP100 8 X 1-1/2	Hex Self Drilling 8 X 1- 1/2	3
012-PSQ50 8 X 3/4	Pan Head Sqr Recess 8 X 3/4	3
012-PSQ50 8 X 1	Pan Head Sqr Recess 8 X 1	3
012-PSQ50 8 X 1-1/4	Pan Head Sqr Recess 8 X 1-1/4	3
012-PSQ50 8 X 1-1/2	Pan Head Sqr Recess 8 X 1- 1/2	3
012-PSQ50 8 X 2	Flat Head Sqr Recess 8 X 2	3
012-FSQ25BL 8 X 2	Flat Head Sqr Recess 8 X 1- 2 Black	3
012-FSQ50BL 8 X 1-1/4	Flat Head Sqr Recess 8 X 1-1/4 Black	3

EVCO Bits & Hand Tools

PLAN-O-GRAM # 009-4009



AP Part#	Description	Qty
009-RVM5IN1A	Multi-Bit Screwdriver	3
009-HDQB2C	Driver Square Head # 2	3
009-C3C	Driver Clutch Head	3
009-ND1/4C	Driver Hex Head	3
009-QD2	Driver Square Head # 2 Economy	3
009-4P1C	# 1 Phillips Insert Bit	3
009-4P2C	# 2 Phillips Insert Bit	3
009-250R1C	# 1 Square Recess Insert Bit	3
009-250R2C	# 2 Square Recess Insert Bit	3
009-000C3C	5/32" Clutch Insert Bit	3
009-000C4C	3/16" Clutch Insert Bit	3
009-42P1C	#1 Phillips Power Bit Long	3
009-42P2C	# 2 Phillips Power Bit Long	3
009-250QB2PC	# 2 Square Recess Power Bit Long	3
009-100C3C	5/32" Power Bit	3
009-134C	Magnetic Power Bit 1/4"	3

PLUG GUARD Trailer Wiring Harness Plug Covers



DISPLAY # 008-467

AP Part#	Description	Qty
008-324	4/5 Flat	6
008-326	6 Round	6
008-320	7 Round	6

**SUSPA
Gas Props & Brackets**



PLAN-O-GRAM # 010-4010

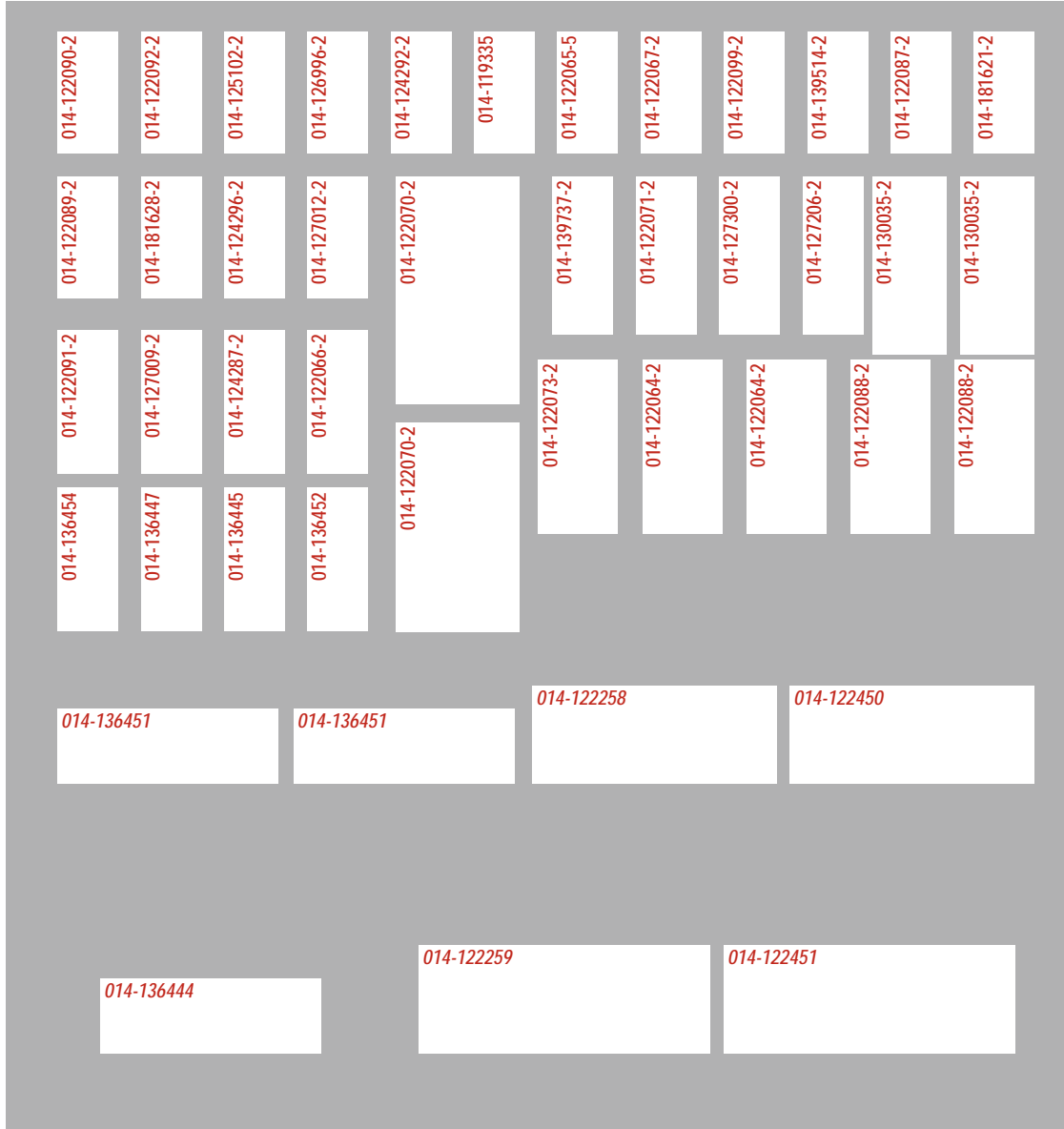
AP Part#	Description			Qty
010-168	19.7" EXT	11.8" COMP	60 LBS	2
010-171	19.7" EXT	11.8" COMP	120 LBS	2
010-074	17.1" EXT	10.8" COMP	40 LBS	2
010-051	19.7" EXT	11.8" COMP	100 LBS	2
010-073	17.1" EXT	10.8" COMP	35 LBS	2
010-077	19.7" EXT	11.8" COMP	80 LBS	2
010-169	19.7" EXT	11.8" COMP	40 LBS	2
010-174	13.98" EXT	8.47" COMP	24 LBS	2
010-112	12.20" EXT	8.30" COMP	40 LBS	2
010-050	17.10" EXT	10.8" COMP	60 LBS	2
010-078-2	3/4" FLAT GAS PROP BRACKET - 2 pack			2
010-079-2	3/4" L GAS PROP BRACKET - 2 pack			2
010-145-2	1-1/4" L GAS PROP BRACKET - 2 pack			2
010-080-2	BALL STUD - 2 pack			2

Brake Plan-O-Gram



PLAN-O-GRAM # 014-4003

AP Part#	Description	Qty	AP Part#	Description	Qty
014-122450	10" Electric Brake Assembly - RH (Individually Boxed)	2	014-124292-2	Outer Cup LM-67010 - 2/ctn	4
014-122258	10" Electric Brake Assembly - LH (Individually Boxed)	2	014-124296-2	Inner Cup L-68111 - 2/ctn	4
014-122451	12" Electric Brake Assembly - RH (Individually Boxed)	2	014-125102-2	Outer Cup L-44610 - 2/ctn	4
014-122259	12" Electric Brake Assembly - LH (Individually Boxed)	2	014-126996-2	Outer Cup 15245 - 2/ctn	4
014-136444	Shoe and Lining Kit for 12" Brake	4	014-127012-2	Outer Cup 14276 - 2/ctn	4
014-136445	Spring and Hardware Kit for 12" Brake	4	014-181628-2	Inner/Outer Bearing L44643 - 2/ctn	4
014-136447	Magnet Kit for 12" Brake	4	014-122089-2	Outer Bearing L-44649 - 2/ctn	4
014-136451	Shoe and Lining Kit for 10" Brake	4	014-122092-2	Inner Bearing L-68149 - 2/ctn	4
014-136452	Spring and Hardware Kit for 10" Brake	4	014-122066-2	Inner Bearing 25580 - 2/ctn	4
014-136454	Magnet Kit for 10" Brake	4	014-122090-2	Outer Bearing LM-67048 - 2/ctn	4
014-124287-2	Inner Cup 25520 - 2/ctn	4	014-122091-2	Outer Bearing 15123 - 2/ctn	4
			014-127009-2	Outer Bearing 14125A - 2/ctn	4
			014-122088-2	Double Lip Grease Seal For 4000-8000 - 2/ctn	4
			014-122087-2	Double Lip Grease Seal For 2800-3500 - 2/ctn	4



PLAN-O-GRAM # 014-4003 (continued)

AP Part#	Description	Qty
014-181621-2	Seal For 1250lb w/1" Spindle - 2/ctn	4
014-130035-2	Double Lip Seal 2.125 Shadt, 3.376 OD 5.2-7K	4
014-139514-2	Double Lip Grease Seal For 2200# - 2/ctn	4
014-122065-5	Universal Rubber Plug Lubed Dust Cap - 5/ctn	4
014-122099-2	Dust Cap, Non Lubbed For 2K & 3.5K - 2/ctn	4
014-122067-2	Dust Cap w/ Rubber Plug Lubed 2K & 3.5K - 2/ctn	4
014-122071-2	Dust Cap, Non Lubbed For 5.2K & 6K - 2/ctn	4
014-122064-2	Dust Cap w/ Rubber Plug Lubed 5.2K & 6K - 2/ctn	4
014-127300-2	Dust cap Lubed For 7K & 8K - 2/ctn	4
014-127206-2	Dust Cap, Non Lubbed 7K & 8K, DC275 - 2/ctn	4
014-139737-2	U-Bolt 3/8" For 1.75" Tube, w/ 3/8" Nut 2/ctn	4
014-122073-2	U-Bolt 1/2" For 2.38" Tube, w/ 1/2" Nut 2/ctn	4
014-122070-2	U-Bolt 1/2" For 3.00" Tube, w/ 1/2" Nut 2/ctn	4
014-119335	1" D-Flat & Tang Washers, 6 Slot Nut - 2/ctn	4

Grayline Housewares Organizer & Space Saver



PLAN-O-GRAM # 004-4005

AP Part#	Description	Qty
004-501	Large Cabinet Rack	2
004-505	Single Spice Rack	2
004-506	Double Spice Rack	2
004-710	Jumbo Helper Shelf	2
004-1723	Narrow Towel Bar	2
004-213	Plate Rack	2
004-231	Wrap Rack (Door/Wall)	2
004-259	12 Can Beverage Dispenser	2
004-310	Double Towel Bar	2
004-1722	Compact Over The Door Towel Bar	2

Tank Check



**Tank Check 15 Pack
Part # 024-1003**

AP Part#	Description	Qty
024-1000	LP Tank Check Dual Sensor w/Monitor Kit	5
024-1001	LP Tank Check Single Sensor	5
024-1002	LP Tank Check Dual Sensor	5



- 1-2-3 Easy Set-Up**
1. Cut tape along bottom edges of box.
 2. Lift top of box off.
 3. Fold and insert background.

SIKA



SIKA 3' RV DISPLAY
PLAN-O-GRAM # 017-4003

SIKA 4' RV DISPLAY
PLAN-O-GRAM # 017-4001

AP Part No.	Description	Qty
017-90893	Sikaflex 221 Black 300 ML cart	6
017-90891	Sikaflex 221 White 300 ML cart	6
017-90916	Sikaflex 252 Black 10.5 oz cart	6
017-90915	Sikaflex 252 White 10.5 oz cart	6
017-415763	Sikaflex 505 UV-HV White 300 ML cart	12
017-189150	SikaSil GP Clear Silicone 300 ML cart	6
017-189151	SikaSil GP White Silicone 300 ML cart	6
017-187690	Sikaflex 715 Roof Sealant 300 ML cart	18
017-413828	Sika Multiseal Plus Tape 4" x 50' Roll - White Membrane	4

AP Part No.	Description	Qty
017-90893	Sikaflex 221 Black 300 ML cart	6
017-106449	Sikaflex 221 Colonial White 300 ML cart	6
017-90891	Sikaflex 221 White 300 ML cart	6
017-90915	Sikaflex 252 White 10.5 oz cart	6
017-90916	Sikaflex 252 Black 10.5 oz cart	6
017-415763	Sikaflex 505 UV-HV White 300 ML cart	6
017-189150	SikaSil GP Clear Silicone 300 ML cart	6
017-189151	SikaSil GP White Silicone 300 ML cart	6
017-187690	Sikaflex 715 Roof Sealant 300 ML cart	24
017-413828	Sika Multiseal Plus Tape 4" x 50' Roll - White Membrane	8

Starlights

Smart Light 1000 Display



Part # 016-4017

LED Interactive Counter Display



Part # 016-4016

Includes Bulbs and Battery
Display can be utilized by sitting flat on a table or by being hung on a peg board.

Starter Pack POG

Part # 016-SP-100

Part #	Qty
016-SL-1000	2
016-1141-200	2
016-1141-400	2
016-1141-280	2
016-921-160	2
016-921-280	2
016-1383-220	2
016-194-70	2
016-1157-170	2
016-G4-160 SP	2

016-1141-200	016-1141-280	016-1141-400
016-921-160	016-921-280	016-G4-160-SP
016-194-70	016-1383-220	016-1157-170



* Includes Cardboard Counter Point of Sales Display and Hooks

Starlights



016-SP-103

016-SP-109

016-SP-103

016-SP-109

016-781-921	016-921-280	016-1141-150	016-1141-200	016-SL-5100	016-SON-103	016-SON-103
016-781-G4	016-G4-160-SP	016-1141-280	016-1141-300		016-SON-104	016-SON-102
016-781-1156	016-1156-170	016-1157-170	016-1141-400			
016-781-18	016-1383-220	016-921-160	016-194-70	016-T8-18	016-BL-3000	016-BL-3002
	016-781-T5	016-781-1000	016-3157-280	016-T5-12	016-BL-3001	016-BL-3003
		016-AB-10	016-1076-205			
					016-SL-1000B	016-SL-1000

LED Replacement Bulb POG - "Plan A" Part # 016-SP-103

Part #	Qty	Part #	Qty
016-1141-150	2	016-194-70	2
016-1141-200	2	016-T8-18	2
016-1141-300	2	016-T5-12	2
016-1141-400	2	016-1383-220	2
016-1141-280	2	016-781-1000	2
016-921-160	2	016-781-1156	2
016-921-280	2	016-781-921	2
016-1076-205	2	016-781-G4	2
016-G4-160 SP	2	016-781-T5	2
016-3157-280	1	016-781-T8	2
016-1157-170	2	016-AB-10	2
016-1156-170	2		

Fixture Pack POG - "Plan A" Part # 016-SP-109

Part #	Qty
016-BL-3000	2
016-BL-3001	2
016-BL-3002	2
016-BL-3003	2
016-SL5100	2
016-SL-1000	2
016-SL-1000B	2
016-SON-102	2
016-SON-103	2
016-SON-104	2

** Includes Starlights Wallpaper Panel, and Header Card

Starlights



016-02-921	016-921-280	016-02-921	016-921-280
016-02-194	016-194-70	016-02-JC10	016-G4-160SP
016-02-3157	016-3157-280	016-02-3156	016-3156-280
016-02-1003	016-1141-150	016-02-1157	016-1157-170
016-02-1076	016-1076-205	016-02-1036	016-02-57
016-1141-1156	016-1141-280	016-1141-1156	016-1141-280
016-01-2099	016-2099-270	016-01-1383	016-1383-220



Incandescent/LED Merchandiser Pack "Plan A"
Part # 016-SP-107

Part #	Qty	Part #	Qty	Part #	Qty
016-02-1141-1156	10	016-02-3157	2	016-G4-160SP	4
016-02-921	8	016-02-3156	2	016-1157-170	2
016-01-1383	2	016-02-194	4	016-1141-150	2
016-02-JC10	4	016-02-57	2	016-2099-270	2
016-02-1157	2	016-02-1036	2	016-1076-205	2
016-02-1003	4	016-1141-280	4	016-3156-280	2
016-01-2099	2	016-921-280	4	016-3157-280	2
016-02-1076	2	016-1383-220	2	016-194-70	4

**** Includes Starlights Wallpaper Panel, and Header Card**

Starlights



016-SP-104

016-SP-110



LED Replacement Bulb POG - "Plan B"
Part # 016-SP-104

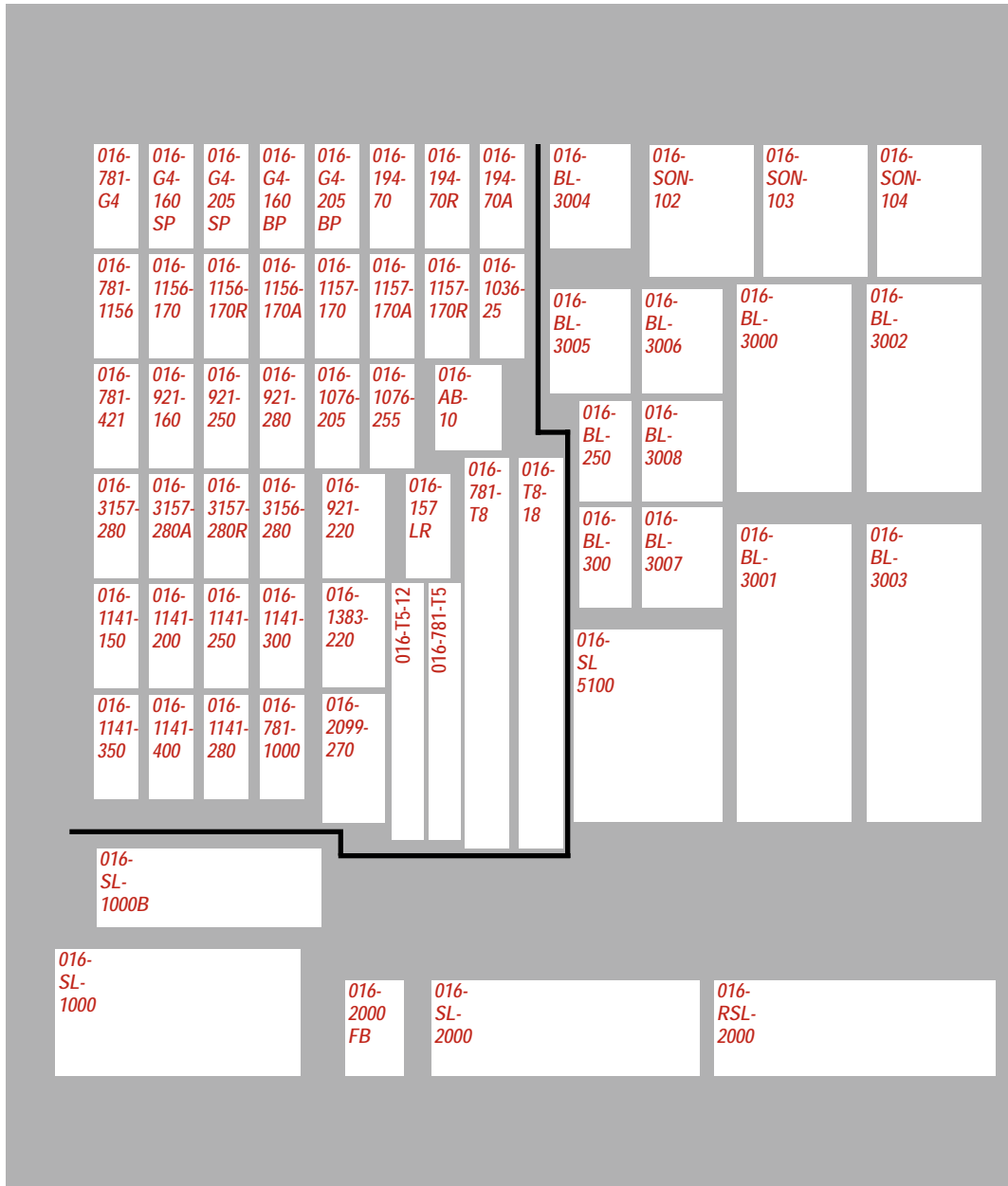
Part #	Qty	Part #	Qty	Part #	Qty
016-1141-150	2	016-G4-160 BP	1	016-194-70R	1
016-1141-200	2	016-G4-205 BP	1	016-T8-18	2
016-1141-250	2	016-3157-280	1	016-T5-12	2
016-1141-300	2	016-3157-280A	1	016-1383-220	2
016-1141-350	2	016-3157-280R	1	016-1036-25	1
016-1141-400	2	016-3156-280	1	016-157LR	1
016-1141-280	2	016-1157-170	2	016-2099-270	2
016-921-160	2	016-1157-170A	1	016-781-1000	2
016-921-250	2	016-1157-170R	1	016-781-1156	2
016-921-280	2	016-1156-170	2	016-781-921	2
016-921-220	2	016-1156-170A	1	016-781-G4	2
016-1076-205	2	016-1156-170R	1	016-781-T5	2
016-1076-255	2	016-194-70	2	016-781-T8	2
016-G4-160 SP	2	016-194-70A	1	016-AB-10	2
016-G4-205 SP	2				

** Includes Starlights Wallpaper Panel, and Header Card

Starlights

016-
SP-
104

016-
SP-
110



Fixture Pack POG - "Plan B"
Part # 016-SP-110

Part #	Qty	Part #	Qty
016-BL-3000	2	016-RSL-2000	1
016-BL-3001	2	016-SON-102	2
016-BL-3002	2	016-SON-103	2
016-BL-3003	2	016-SON-104	2
016-BL-3004	1	016-SL5100	2
016-BL-3005	1	016-2000FB	1
016-BL-3006	1		
016-BL-3007	2		
016-BL-3008	1		
016-BL-250	2		
016-BL-300	2		
016-SL-1000	2		
016-SL-1000B	2		
016-SL-2000	1		

Starlights



Incandescent/LED Merchandiser Pack - "Plan B"
Part # 016-SP-108

Part #	Qty	Part #	Qty	Part #	Qty
016-02-1141-1156	10	016-921-250	2	016-1156-170R	1
016-02-921	8	016-921-280	2	016-194-70	2
016-01-1383	2	016-921-220	2	016-194-70A	1
016-02-JC10	4	016-1076-205	2	016-194-70R	1
016-02-1157	2	016-1076-255	2	016-T8-18	2
016-02-1003	4	016-G4-160 SP	2	016-T5-12	2
016-02-1076	2	016-G4-205 SP	2	016-1383-220	2
016-02-3157	2	016-G4-160 BP	1	016-1036-25	1
016-02-3156	2	016-G4-205 BP	1	016-157LR	1
016-02-194	4	016-3157-280	1	016-781-1000	2
016-02-57	2	016-3157-280A	1	016-781-1156	2
016-02-1036	2	016-3157-280R	1	016-781-921	2
016-1141-150	2	016-3156-280	1	016-781-G4	2
016-1141-200	2	016-3156-280A	1	016-781-T5	2
016-1141-250	2	016-3156-280R	1	016-781-T8	2
016-1141-300	2	016-1157-170	2	016-AB-10	2
016-1141-350	2	016-1157-170A	1		
016-1141-400	2	016-1157-170R	1		
016-1141-280	2	016-1156-170	2		
016-921-160	2	016-1156-170A	1		

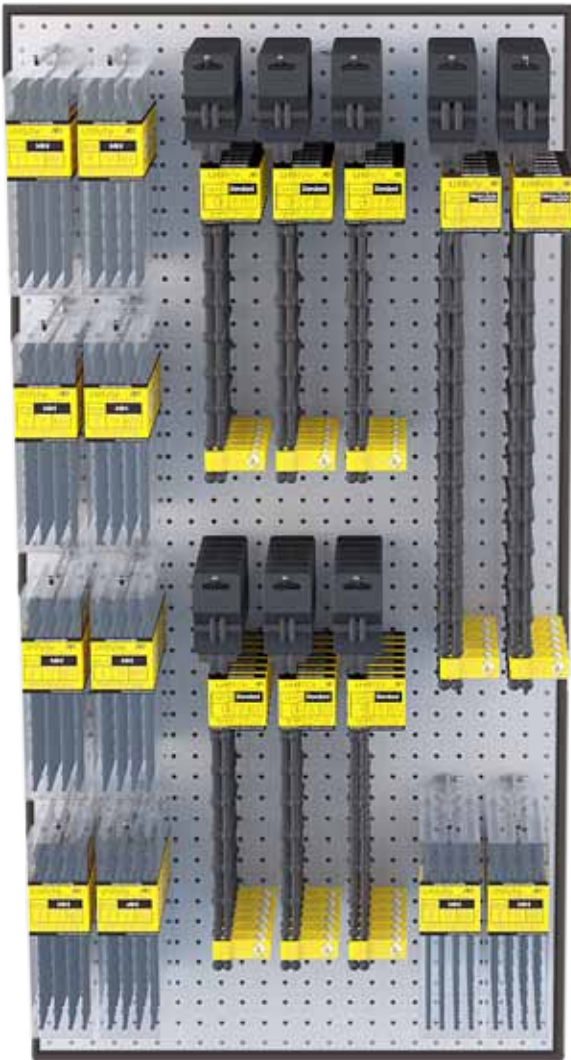
** Includes Starlights Wallpaper Panel, and Header Card

Starlights

016-1141-150	016-1141-200	016-1141-250	016-1141-300	016-1141-350	016-1141-400	016-1141-280	016-02-1141-1156	016-02-1141-1156	016-02-1141-1156	016-02-1141-1156	016-02-57	
016-781-1156	016-1156-170	016-1156-170R	016-1156-170A	016-AB-10	016-02-1003	016-02-1003	016-1157-170	016-1157-170A	016-1157-170R	016-02-1157	016-157-LR	
016-781-G4	016-G4-160SP	016-G4-205SP	016-G4-160BP	016-G4-205BP	016-02-JC10	016-02-JC10	016-1076-205	016-1076-255	016-02-1076	016-01-1383	016-1383-220	
016-781-921	016-921-160	016-921-250	016-921-280	016-921-220	016-02-921	016-02-921	016-02-921	016-01-2099	016-T8-18	016-T5-12	016-T5-781-T5	016-781-T8
016-781-1000	016-1036-25	016-02-1036	016-194-70	016-194-70A	016-194-70R	016-02-194	016-02-194	016-2099-270				
016-3156-280	016-3156-280A	016-3156-280R	016-02-3156	016-3157-280	016-3157-280A	016-3157-280R	016-02-3157					



2x4 PLANOGRAM



008-7825 2 SKU ON PEG	008-7825 2 SKU ON PEG	008-7142 5 SKU ON PEG	008-7142 5 SKU ON PEG	008-7142 5 SKU ON PEG	008-7242 6 SKU ON PEG	008-7242 6 SKU ON PEG
008-7825 2 SKU ON PEG	008-7825 2 SKU ON PEG					
008-7825 2 SKU ON PEG	008-7825 2 SKU ON PEG	008-7142 5 SKU ON PEG	008-7142 5 SKU ON PEG	008-7142 5 SKU ON PEG		
008-7825 2 SKU ON PEG	008-7825 2 SKU ON PEG				008-7825 2 SKU ON PEG	008-7825 2 SKU ON PEG

Kwik Bandit Utility Tie POG Part# 008-7001

Part#	Qty
008-7825	20
008-7142	30
008-7242	12

2018

AP Products

Service Parts Catalog



AP Products was established in 1994 by Tom Manning Sr. The original intent was to assist one of the suppliers Tom Manning & Associates represented by offering a complimenting line of packaged screws. From there, the company has added a host of products as opportunities arose. All of the products being offered speak to a specific need in the market place that is not being met. This particular service parts catalog is intended to assist RV Dealers in the process of identifying critical service parts needed to repair and maintain their customer's RVs.

We believe the health of the industry is dependent upon a strong Dealer base that is able to fulfill every customer's expectation in a timely and profitable manner. It is our desire to make use of our resources and talents to assist in that process.

Our entire team believes the best means for doing this is for service parts to be stocked in the field by Wholesale Distributors so as to make them readily available to the Dealer when needed.

All of these parts are available from your local/preferred Distributor. If you need additional assistance, we would be pleased to assist where possible.



OFFICE STAFF

Back Row Left to Right: Sharon Dibert, Jenny Miller, Daren Rathbun
 Front Row Left to Right: Connie Knight, Janelle Warner, Tasha Smith, Kristi Galliers, Chris Rollins
 Missing from Photo: Julie Cook



WAREHOUSE STAFF

Back Row Left to Right: Bob Smith, Christian Vogler, Heidi Hammond, Bill Vogler, Byron Halferty, Brandon Bradford
 Front Row Left to Right: Matt Kinney, Amie McKinney, Rachel Iford, Samantha Palmateer, Charlie Putnam, Scott Nagle



TOM MANNING & ASSOCIATES SALES STAFF

Back Row Left to Right: Chris Polley, Tom Manning, Terry Goddard, Tom Lynd
 Front Row Left to Right: Jeff Hostetler, Cathy Sutton, Joe Pico, Steve Stewart
 Missing From Photo: Matt Boles

AP Products

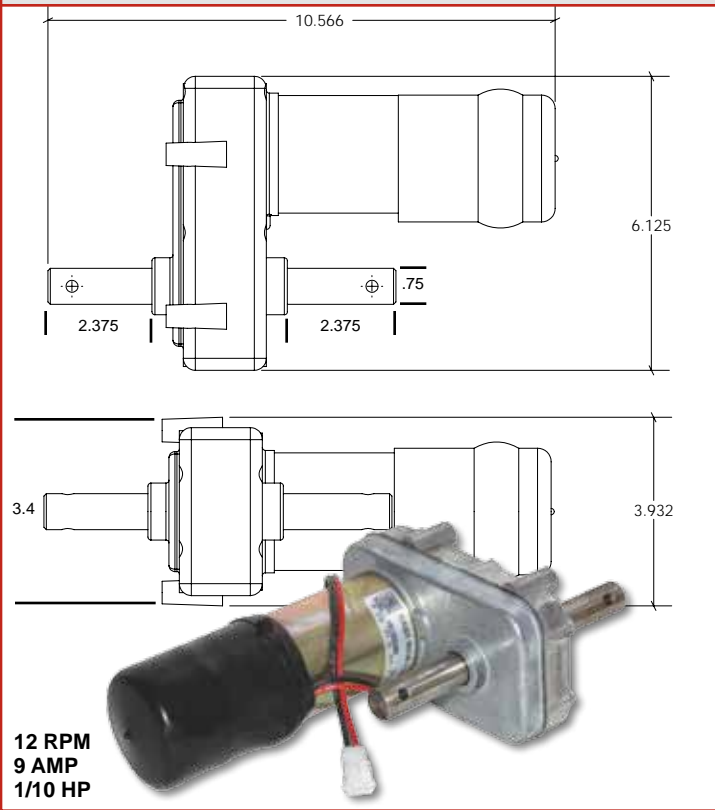
Aluminum Extrusions	32-33
Bits.....	25-27
LITECO Products.....	15-16
RV Entrance Doors/ Replacement Parts	13
Screws	28-31
Screw Covers / Trim	14
Seals	9-12

SIKA	19-20
Slideout Parts	1-8
Slim Shade	13
Spray Paint.....	22
STA'-PUT	21
Surface Shields.....	17-18
Tools	23-24

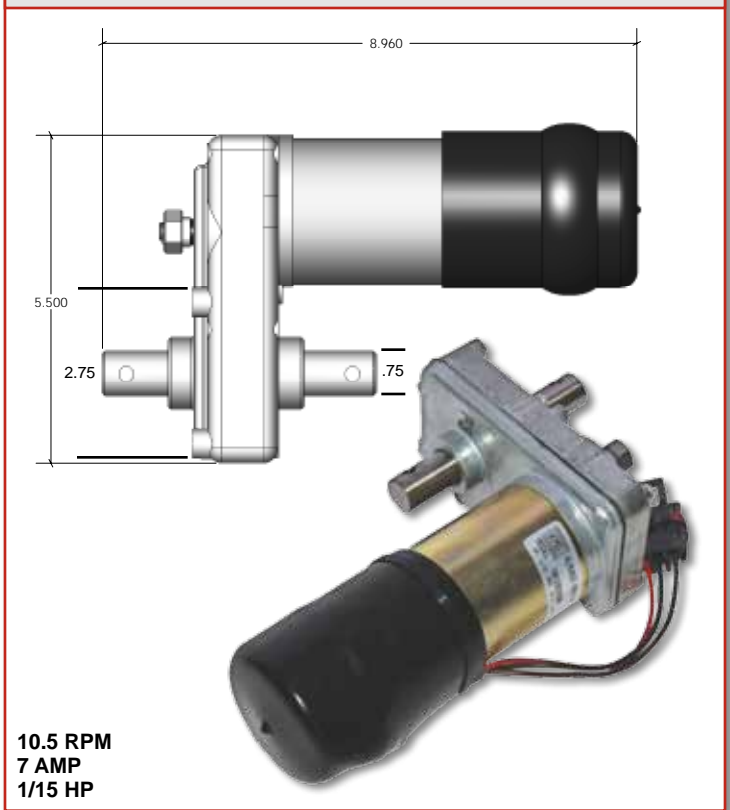


Slideout Parts

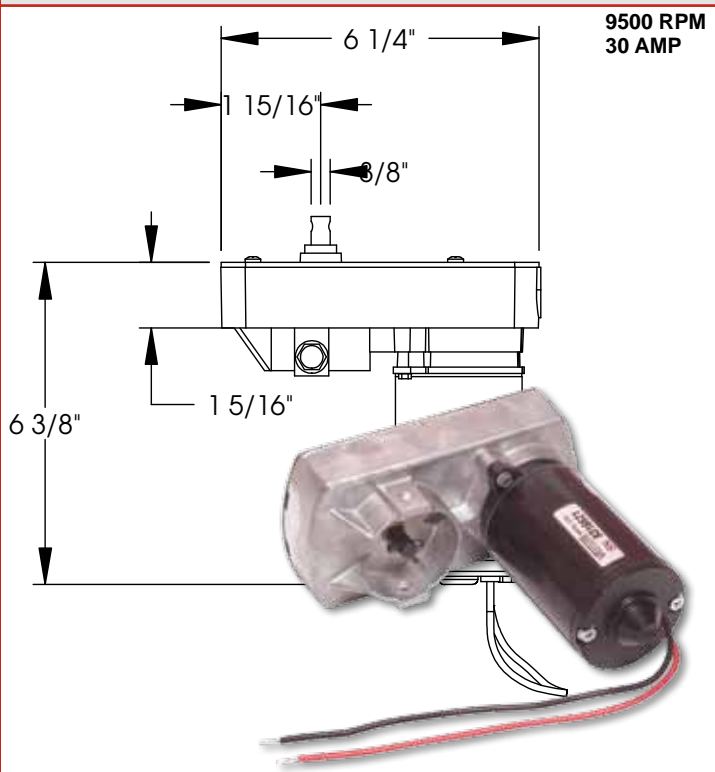
014-138449 - Klauber Motor D-300 (2 Wire)



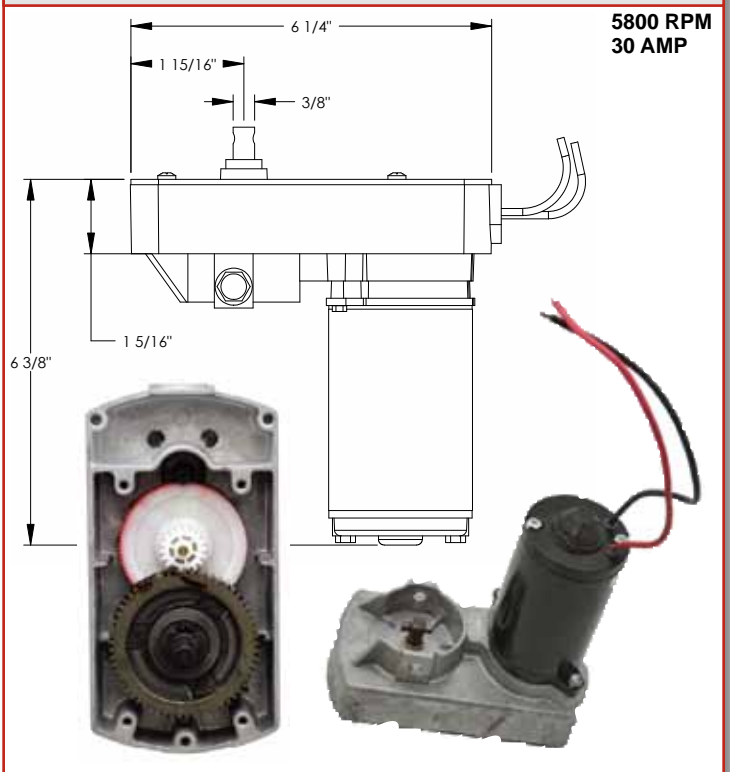
014-130057 - Klauber Motor 500 (3 Wire)



014-132682 - 18:1 Venture Actuator Motor (2-1/4" Inner Gear)

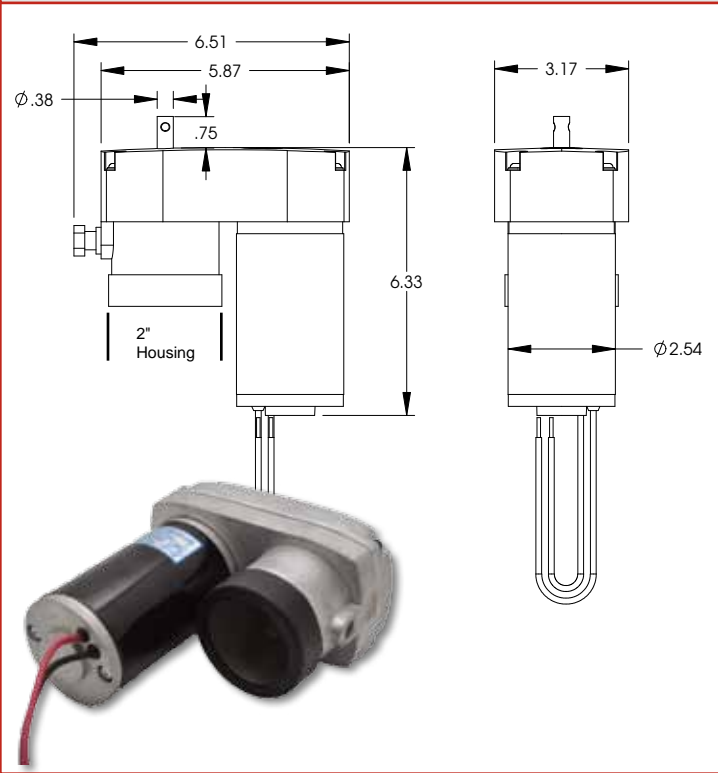


014-136373 - 28:1 Venture Actuator Motor (2-1/2" Inner Gear)

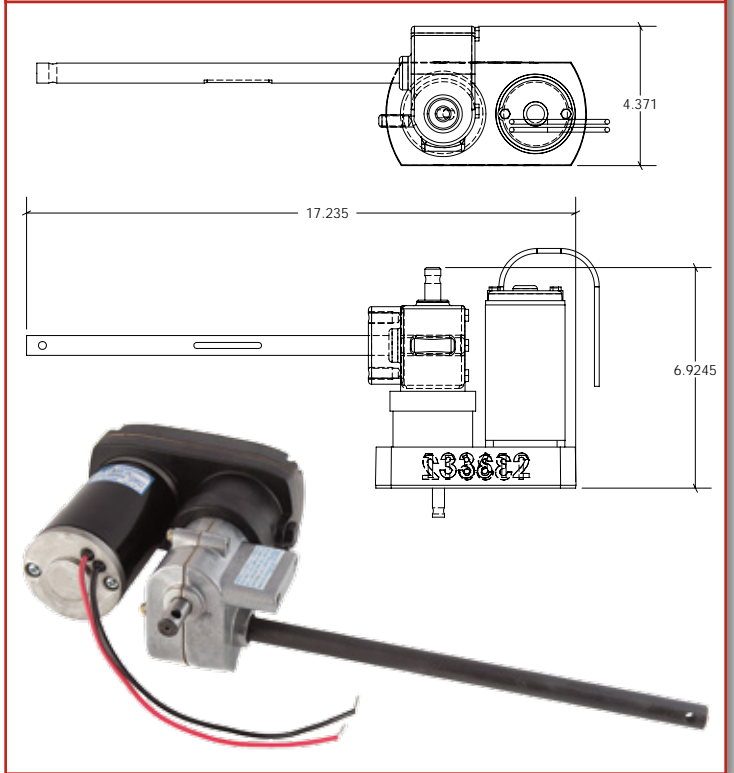


Slideout Parts

014-125802 - 9000 RPM 18:1 Motor (Tuson)
(When not available sub with 014-168956)

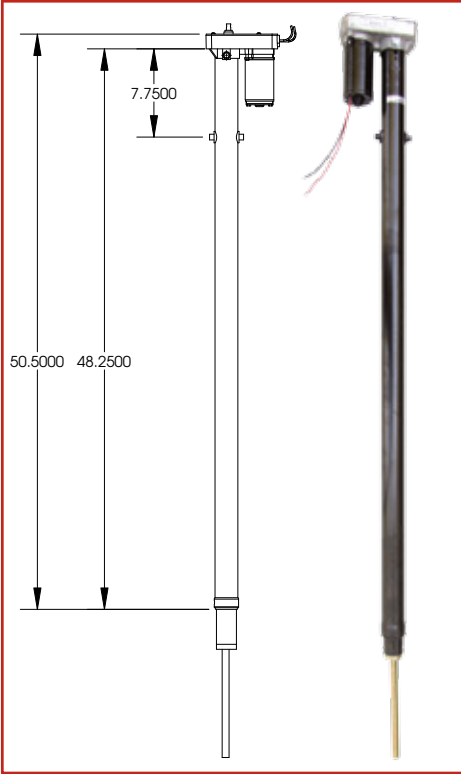


014-133612 - 18:1 Tuson Motor/Drive Shaft
w/right angle gear box

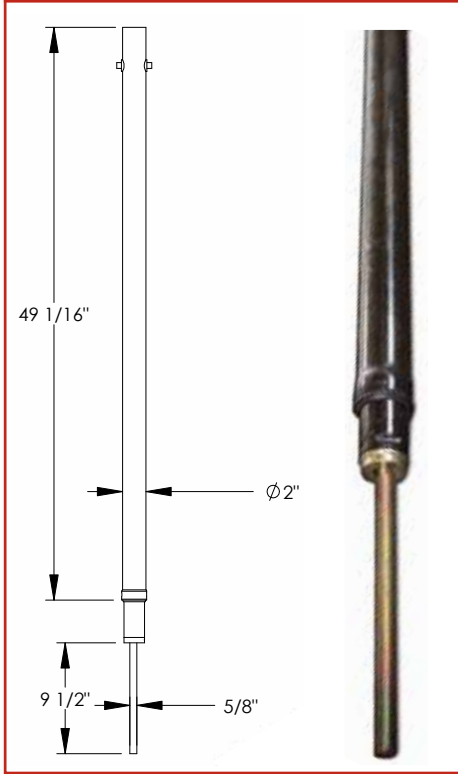


Slideout Parts

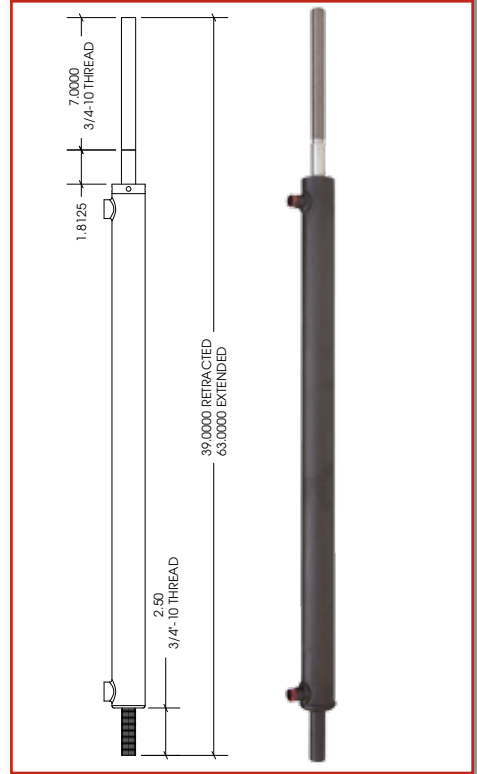
014-168956 - 40" Venture Actuator w/ High Speed Motor



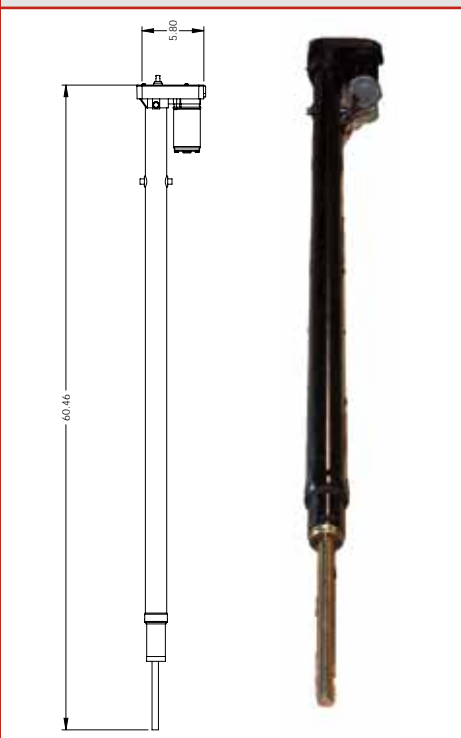
014-145595 - Venture Actuator Only



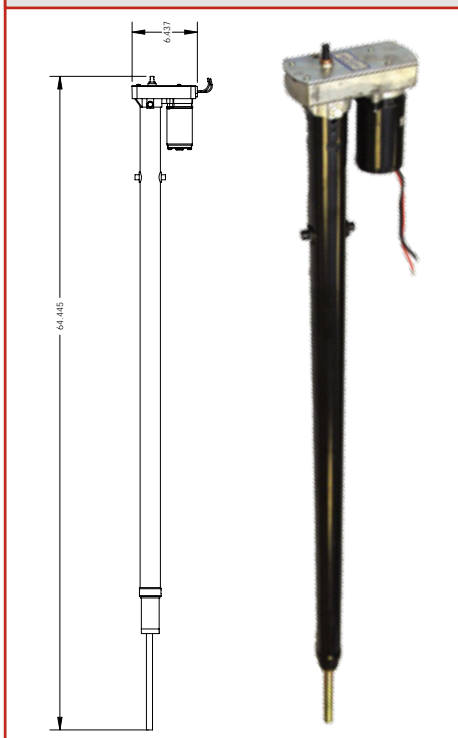
014-125653 - 24" Cylinder (Black)



014-131903 - 40" Tuson Actuator w/18:1 Motor (no longer available. replace w/ 014-168956)

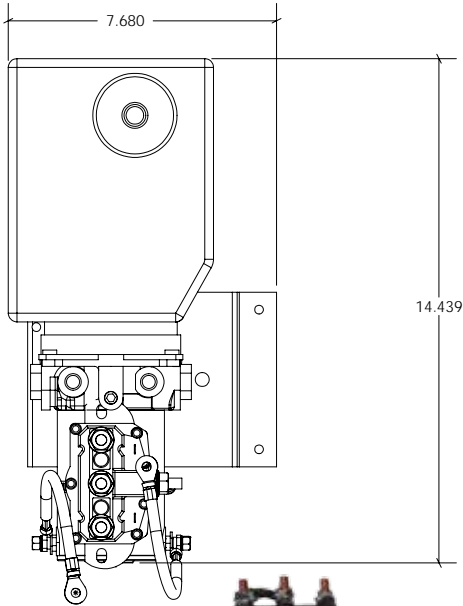


014-119129 - 40" Venture Actuator w/18:1 Motor (no longer available. replace w/ 014-168956)

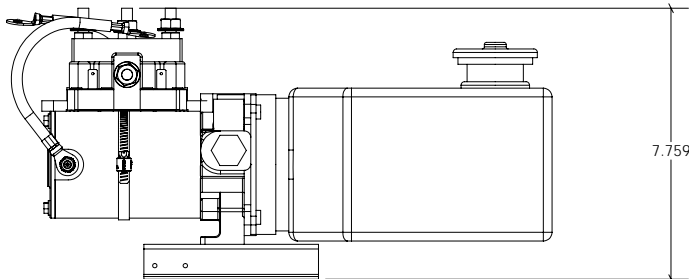


Slideout Parts

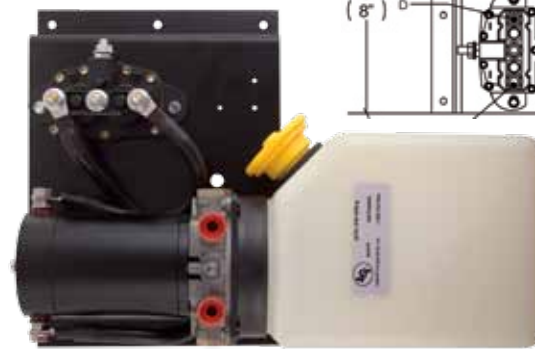
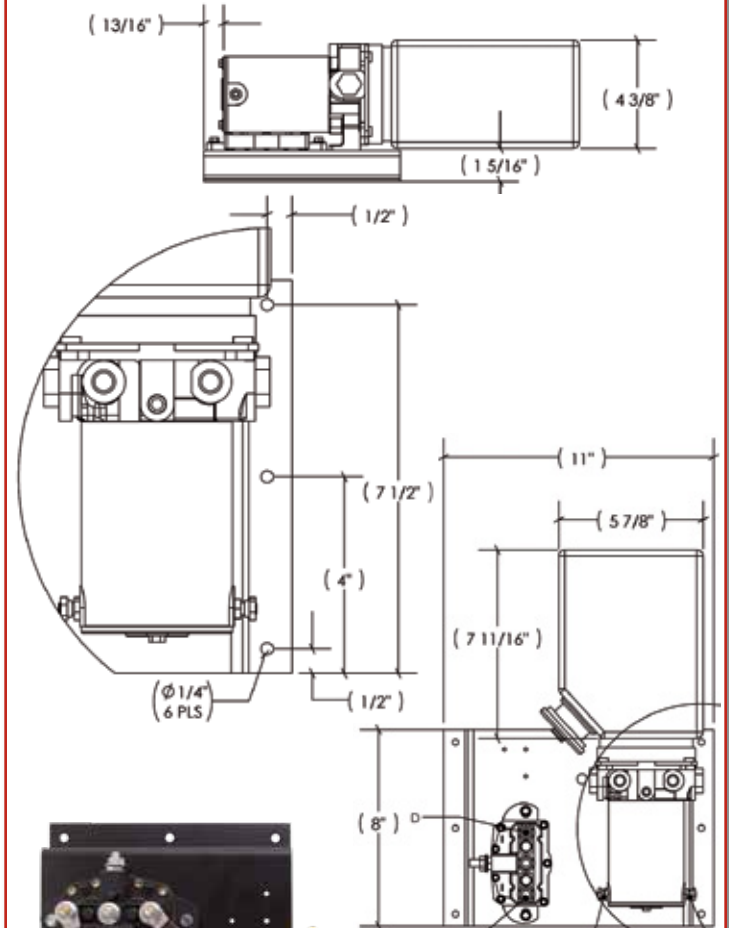
014-141111 - Power Unit 643150 w/Small Parts



014-177420 - 2qt. Reservoir Pump Kit Only



014-183827 - 2Q Vertical Slide Pump Assembly



014-136046 - Trombetta Polar Reverse Solenoid

Copper Contacts



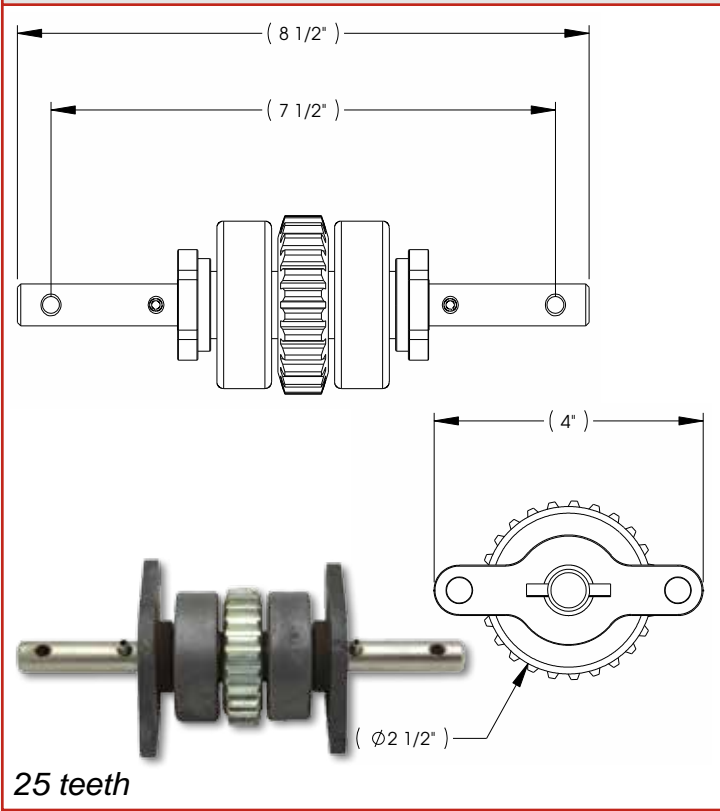
014-118246 - Trombetta Solenoid For Leveling

*Silver Plated
Copper Contacts*

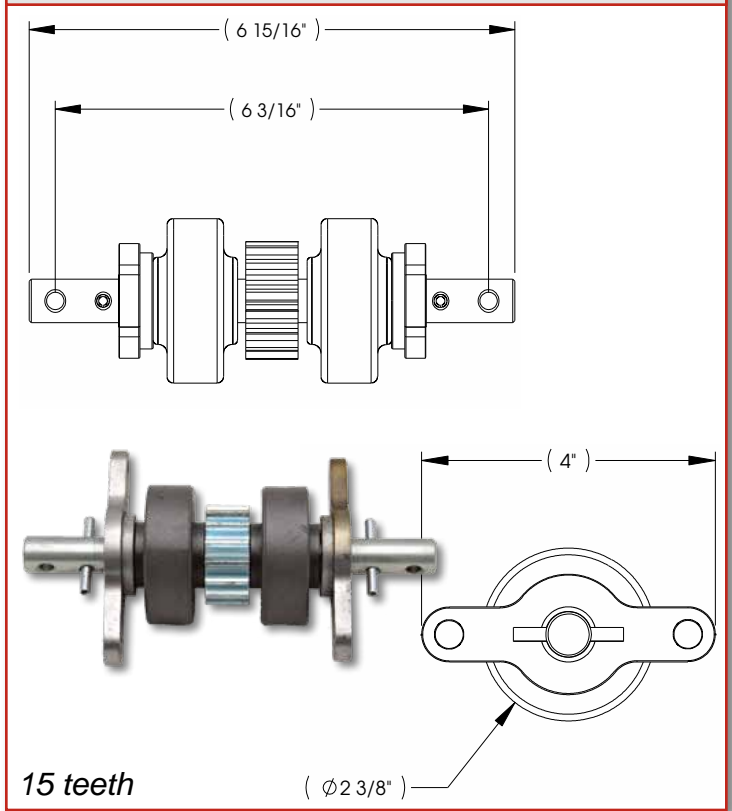


Slideout Parts

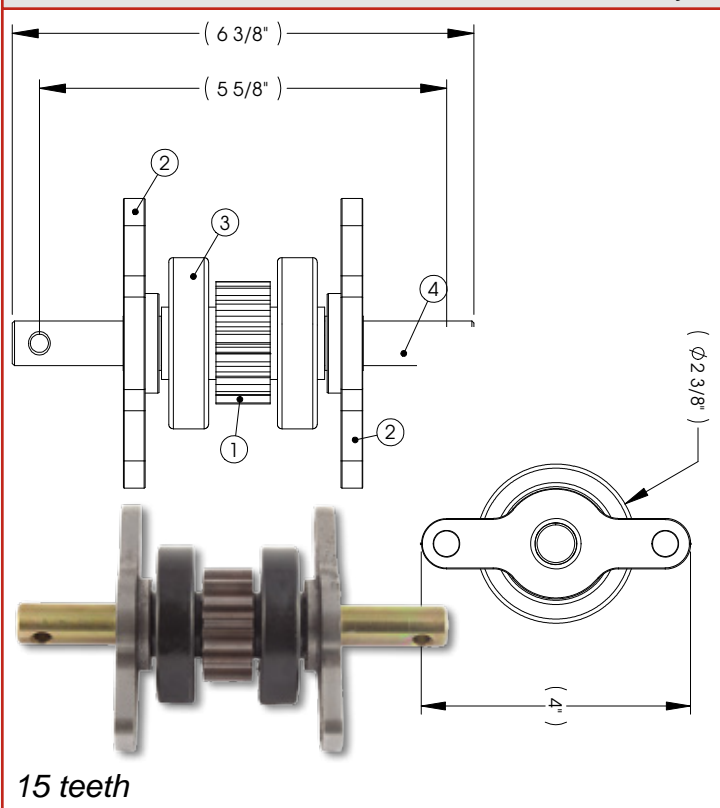
014-140418 - Gear Pack - ER w/Roll Pins Assy



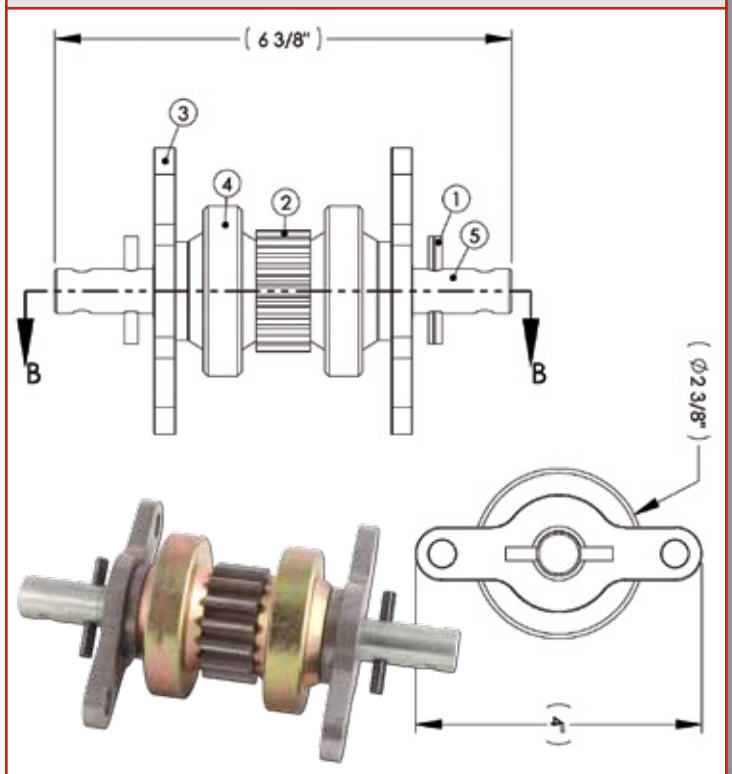
014-140409 - Gear Pack 2x3 w/Roll Pins Assy



014-281331 - 2x2 Gear Pack w/o Roll Pins Assy

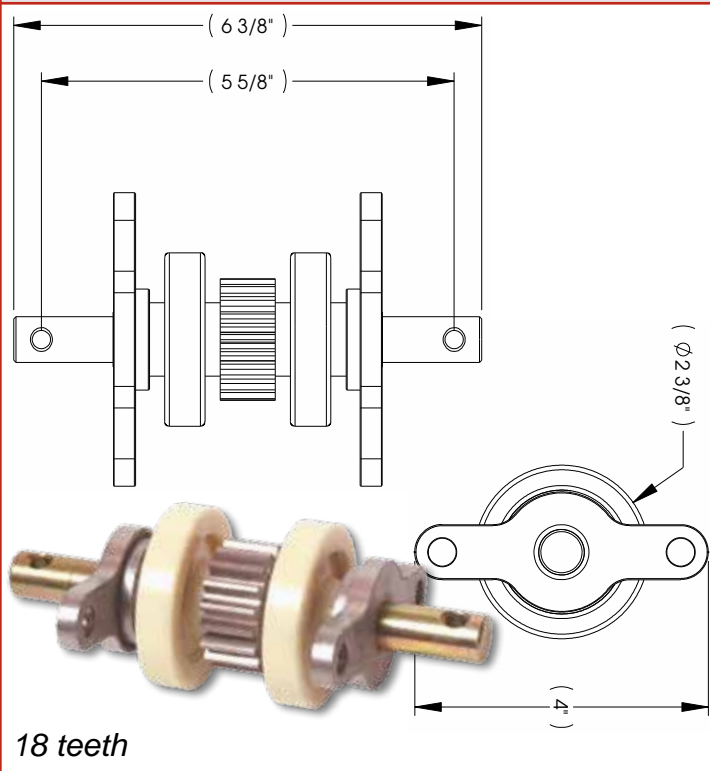


014-123356 - 2.5 x 2.5 Heavy Duty Gear Pack - Steel Rollers

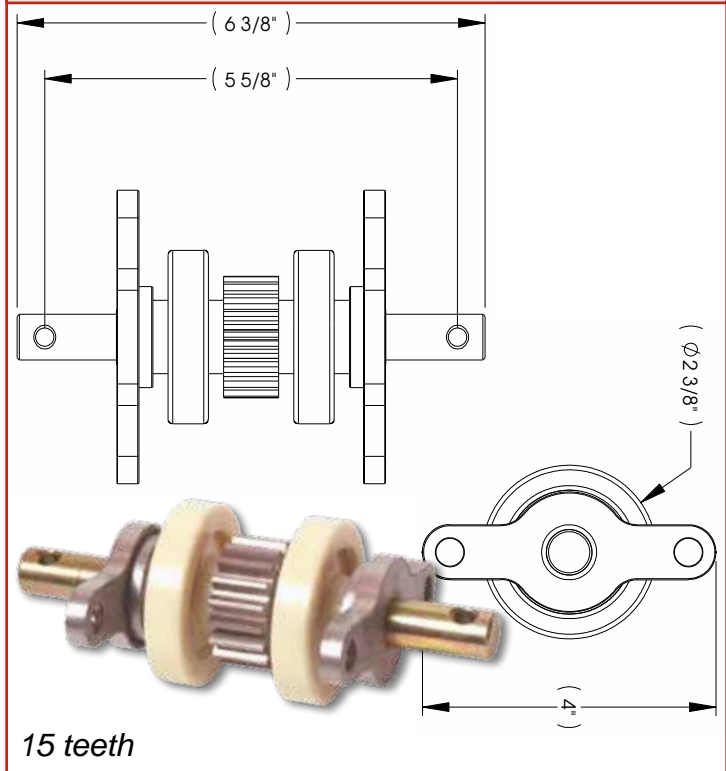


Slideout Parts

014-122837 - Standard Gear Pack - Nickel w/out-Roll Pins Assy



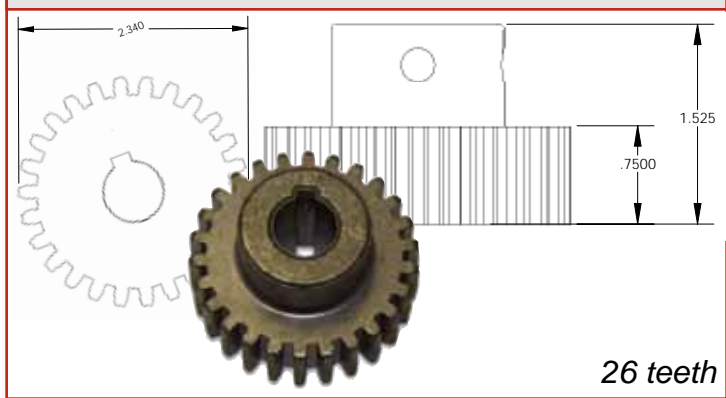
014-324869 - Standard Gear Pack - Nickel w/out Roll Pins Assy



014-191072 - 18:1 Venture Replacement Gear Set

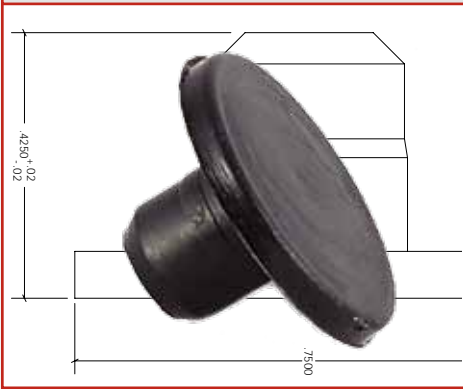


014-116658 - Crown Gear



Slideout Parts

014-103480 - Plastic Wear Pad (3/Ctn)



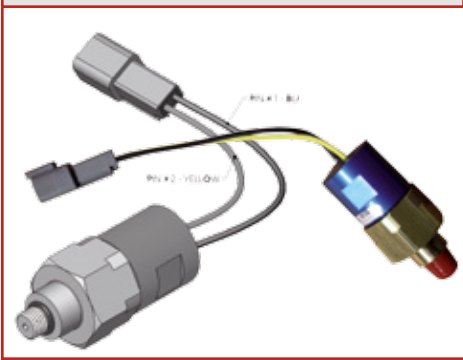
014-239114 - J32 Roller For Scwintek In-Wall Slide-Out



014-122840 - Slide-Out Stop Can Assembly



014-142927 - 2150 Pressure Switch w/ Deutsch DT-04-2P Connector



014-118353 - Bearing for AFSS 3/8-24x1.3750



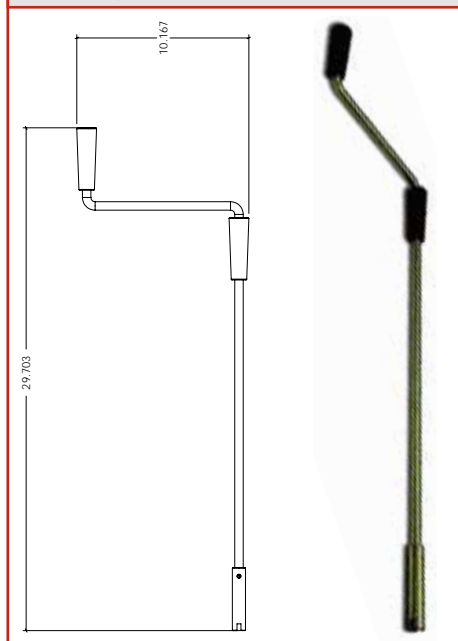
014-135666 - Controller 2.070x1.5 Part#10665



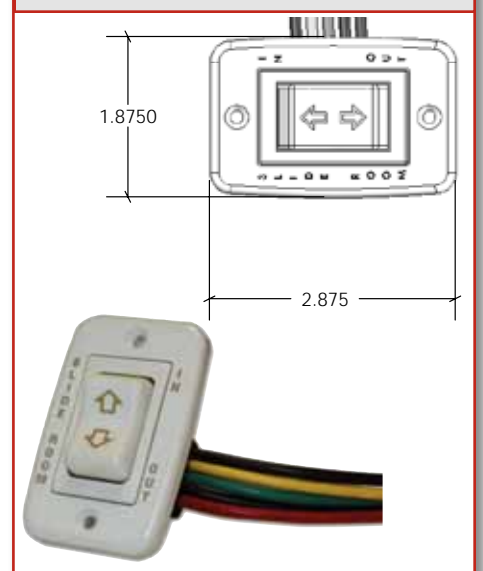
014-134629 - Triple Flexguard Kit - 8" Post



014-119226 - Standard S/O & Landing Gear Crank Handles



014-117461 - LCI Slideout Switch Assembly White
014-117460 - LCI Slideout Switch Assembly Black



Schwintek Slideout Parts

014-287298 - Schwintek Motor, In-Wall;
High Torque, 500:1



014-211852 - Schwintek Controller In-Wall Slide
V-SYNC II



014-236575 - Schwintek Motor In-Wall;
IG-42, 10MM



014-276398 - Schwintek LCI Dual Motor
Synchronous Velocity Bed Controller



Schwintek Hydraulic Interior Switch
014-120639 - White
014-225487 - Almond
014-225488 - Black



014-247768 - Schwintek Harness: In-Wall 15'
014-238991 - Schwintek Harness: In-Wall 25'



Economy Rubber Seals for Slide Out Rooms - Includes Wipers

Economical rubber base includes Bulb Seal and wiper. Comes with strong adhesive w/ release liner. Simply cut to length, remove release liner and apply pressure to adhere to side wall for a positive seal around your SlideOut Room.

Premium EK Seal for Slide Out Rooms - Includes Wipers

Advanced EK Series is the ultimate Slide Out Seal System. Can be used for new installations or when upgrading worn out rubber seals. Order in two parts. The EK Base comes with wiper and is designed with straight edge for easy alignment w/adhesive backing. Fasteners maybe used to install as well. D Seal, purchased separately, easily slides onto track in base, hides fasteners and provides a positive seal. EK Series may also be used on interior wall for protection when Slide Out Room is extended or when replacing a double seal.

Rubber Slide out Seal w/Wiper & Tape



018-314
White w/Hats (Red Tape)
5/8" x 1-15/16" x 35'

EK Seal Base w/Wiper To Be Used with D-Seal



018-314-BLK
EK Base w/1" wiper
Black w/Hats (Red Tape)
1/2" x 1-3/4"x35'
018-341
EK Base w/2" wiper
Black w/Hats (Red Tape)
1/2" x 2-3/4" x 35'
018-316
EK Base w/2-7/8" wiper
Black w/Hats (Red Tape)
1/2" x 3-2/3" x 35'



018-384
EK Base w/1-1/4" wiper
White w/Hats (Red Tape)
1/2" x 2" x 35'
018-426
EK Base w/2" wiper
White w/Hats (Red Tape)
1/2" x 2-3/4" x 35'
018-317
EK Base w/2-7/8" wiper
White w/Hats (Red Tape)
1/2" x 3-2/3" x 35'



018-2080-168
Double EKD Base w/2-3/8" wiper
Black 1-1/2" x 3-3/16" x14'
018-2030-168
Double EKD Base w/2-3/8" wiper
Black 2" x 3-3/16" x 14'
018-2082-168
Double EKD Base w/2-3/4" wiper
Black 1-1/2" x 3-1/2" x 14'



018-2062-153
Double EKD Base
Black 1-1/4" x 1-3/4" x12-3/4'
018-2062-96
Double EKD Base
Black 1-1/4" x 1-3/4" x 8'

018-1723
EK BASE w/ 1-1/4" wiper
w/Hats (Red Tape)
1/2" x 1-1/4" x 35'



018-188
EK "L" Wiper
Black w/Hats (Red Tape)
2-1/2" x 4/5" x 20'



018-2033
EK Channel
Black w/Hats (Red Tape)
7/8" x 1/4" x 50'



EK Seal D Seal To Be Used with Base



018-312-EKD
D Seal for EKD Base
Black 1" x 15/16" x 35'

018-350-EKD
D Seal for EKD Base
Black 1" x 15/16" x 50'



018-184-EKD
D Seal for EKD Base
White 1" x 15/16" x 35'



018-522
D Seal for EKD Base
w/Fins
Black 1-1/2" x 1" x 40'



018-1065-EKD
D Seal for EKD Base
Grey 1" x 15/16" x 35'



018-1069-EKD
D Seal w/Off Set Bulb
White 1-1/16" x 1/4" x 50'



018-2004
Modified EKD Seal
Black 1" x 1" x 50'



018-1681
Small EK Outer Seal
Black 9/10" x 11/16" x 100'

Other SlideOut Seals



018-478
Double Bulb w/Wiper
Black 2" x 2-1/4" x 28'

018-478-35
Double Bulb w/Wiper
Black 2" x 2-1/4" x 35'

018-479
Double Bulb w/Wiper
Black 2" x 3" x 28'



018-564
EPDM DBL Bulb Seal
w/ Tape
Black 1-1/2" x 1/2" x 50'



018-607
P Seal w/Tape
Black 2-1/2" x 7/8" x 100'



018-338- BLK
Slide in Secondary Seal
Black 13/16" x 11/16" x 30'



018-1138
Single Bulb w/Wiper
Black 1-1/8" x 2-1/8" x 35'



018-1470-84
1.375" EK Cap w/1.5" Wall Jamb
Black 4-3/8" x 2-5/8" x 7'



018-546
Clip On Wiper with 2" Wiper
Black 7/16" x 3" x 35'



018-668
Snap-In Seal with 2-7/8" Wiper
Black 4-1/8" x 23/32" x 35'

Seals for Doors, Windows and more...

These seals may be used in a variety of applications including Baggage Doors, Cargo Doors, Entrance Doors, around windows and any other area where it is desired to reduce or eliminate infiltration of noise, dust, moisture or vibration.

Non Ribbed D Seal w/Tape



018-224
Black w/PSA (White Tape)
1/2" x 3/8" x 50'



018-204
White w/PSA (White Tape)
1/2" x 3/8" x 50'



018-318
Black w/PSA (White Tape)
3/4" x 1/2" x 50'



018-663
Black w/Hats (Red Tape)
3/4" x 3/4" x 50'

Bulb Seal with Slide on Clip



018-088-BB
Single Bulb
Black 1" x 3/4" x 28'



018-742
Single Bulb
White 1" x 3/4" x 28'



018-181-BB
Slide Double Bulb
Black 1-1/2" x 3/4" x 28'

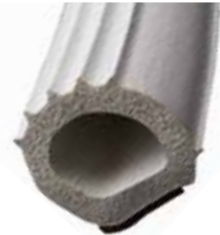


018-1509
Single Bulb
Black 3/4" x 7/16" x 28'

Ribbed D Seal w/Tape



018-023-PT
Foam D Seal w/PSA
(White Tape)
Black 1" x 1" x 50'



018-1097
Foam D Seal w/Hats
(Red Tape)
White 1" x 1" x 50'



018-1894
J Bulb
Black 1" x 3/4" x 28'



018-3009
Single Bulb
Black 15/16" x 1-1/2" x 43'



018-206
Foam D Seal w/Hats
(Red Tape)
Black 1" x 1" x 50'

Foam Seal w/Tape



018-821125
Low Density NEO/
EPDM/ With PSA
1" x 1-1/4" x 25'

018-523
Black w/PSA (White Tape)
5/8" x 3/8" x 50'

018-855
Black w/Rib
w/PSA (White Tape)
1/2" x 5/16" x 50'

018-664
Ribbed Seal
Black w/PSA (White Tape)
3/16" x 3/8" x 50'



Schwintek Bottom & Corners

Slide Out Seals to be Used When Either Repairing or Installing New Schwintek Slide. Bottom Panels Maybe Cut to Designed Length



018-1932-168
Bottom Pan Seal
w/Wiper
2" x 3" x 14'



018-1933-168
Bottom Pan Seal
w/Wiper
2-1/4" x 3" x 14'



018-1923-156
EK Pan Base w/1-5/8" Wiper
Black
1-1/3" x 1-5/8" x 13'



018-1161-RH
Corner-Block RH
Notched Black
4-1/2" x 2-1/2" x 2"



018-1161-LH
Corner-Block LH
Notched Black
4-1/2" x 2-1/2" x 2"



018-1998-RH
Corner-Block RH
Notched
4-1/2" x 2-1/2" x 3"



018-1998-LH
Corner-Block LH
Notched
4-1/2" x 2-1/2" x 3"

Trim Seal

018-3006
Clip On Trim Seal Black
018-667
Clip On Trim Seal White

OD 9/16" x 1/4" x 50'
ID 1/3" x 5/64" x 50'



Sewn In Clip

018-635-96
Poly Sewn In Clip (2 pack)
White
1-3/16" x 3/8" x 8'
018-635-216
Poly Sewn In Clip
White
1-3/16" x 3/8" x 18'



Weather Stripping

Quality Cap Tape and Weather Stripping products for use around windows, doors or any place where you are looking to quiet or prevent moisture, dirt and dust from entering. All products are individually packaged.



Thickness x Width x Length

018-181417	1/8" x 1/4" x 50'
018-3163810	3/16" x 3/8" x 10'
018-3163817	3/16" x 3/8" x 50'
018-3161210	3/16" x 1/2" x 10'
018-3163410	3/16" x 3/4" x 10'
018-143817	1/4" x 3/8" x 50'
018-5163810	5/16" x 3/8" x 10'
018-5163410	5/16" x 3/4" x 10'
018-516110	5/16" x 1" x 10'
018-381210	3/8" x 1/2" x 50'
018-383410	3/8" x 3/4" x 50'
018-5161250	5/16" x 1/2" x 50'
018-516150	5/16" x 1" x 50'
018-5163450	5/16" x 3/4" x 50'
018-5321250	5/32" x 1/2" x 50'
018-532150	5/32" x 1" x 50'
018-5323450	5/32" x 3/4" x 50'
018-5323850	5/32" x 3/8" x 50'
018-5325850	5/32" x 5/8" x 50'

Cap Tape

Grey Mylar backed PVC Foam Tape w/adhesive coating. Great for Truck Caps and other areas where a good seal against weather and dust is desired. Also great for quieting rattles and squeaks. Comes in Poly Bag and is available in a variety of widths.



018-316130	3/16" x 1" x 30'	Grey
018-3161530	3/16" x 1-1/2" x 30'	Grey
018-3162530	3/16" x 2-1/2" x 30'	Grey
018-141125	1/4" x 1-1/2" x 30'	Grey
018-1400125 B	1/4" x 1-1/2" x 30'	Black
018-381530	3/8" x 1-1/2" x 30'	Grey

RV Entrance Doors

- Available in Radius and Square
- Available in Polar White (PW) only
- Individually boxed
- Measurements below are rough opening
- All doors come with screen door matching color of frame extrusion and clear slide panel
- PW doors - have pebble interior and smooth exterior
- "RH" indicates that the hinges are on the right side when walking into the coach
- Frame thickness for both towable and motorized doors is 2-1/4"
- Radius doors have 4" radius corners



Towable Entry Door - Radius: PW fiberglass skin, PW flush lock with deadbolt, 12 x 21 window w/ obscure glass and PW frame, all PW extrusion.

015-217708	24" x 68"	Radius Entrance Door	RH
015-206319	24" x 72"	Radius Entrance Door	RH
015-217709	26" x 72"	Radius Entrance Door	RH
015-217710	28" x 72"	Radius Entrance Door	RH
015-205998	30" x 72"	Radius Entrance Door	RH

Towable Entry Door - Square: PW fiberglass skin, PW flush lock with deadbolt, 12 x 21 window w/ obscure glass and PW frame, all PW extrusion.

015-217711	24" x 68"	Square Entrance Door	RH
015-217712	24" x 70"	Square Entrance Door	RH
015-217713	24" x 72"	Square Entrance Door	RH
015-217714	24" x 76"	Square Entrance Door	RH
015-217715	26" x 68"	Square Entrance Door	RH
015-217716	26" x 70"	Square Entrance Door	RH
015-217717	26" x 72"	Square Entrance Door	RH
015-217718	26" x 78"	Square Entrance Door	RH
015-217719	28" x 72"	Square Entrance Door	RH
015-217720	30" x 72"	Square Entrance Door	RH
015-217721	32" x 72"	Square Entrance Door	RH

Motorized Entry Door - Radius: PW fiberglass skin, Black Tri-Mark lock with deadbolt (meets FMVSS 206 requirements), 12 x 21 window w/obscure glass and black frame, all white extrusion.

015-247031	24" x 70"	Radius Entrance Door	RH
015-247231	24" x 72"	Radius Entrance Door	RH
015-267231	26" x 72"	Radius Entrance Door	RH

Door Replacement Trim

015-661	Screw Cover - 85" Rigid Plastic - Polar White
015-662	Door Screwcover - 85" - Off White
015-663	Door Screwcover - 85" - Black
015-2028911	Door Threshold - 92" - Mill Finish

Misc Door Replacement Parts

015-201471	Screen Latch Right
015-201472	Screen Latch Left
015-198295	Hinge Assembly 6 Leaf - White

Window Replacement Parts

015-2014742	Window Frame Inner & Outer w/Seal No Glass - White
015-2014762	Window Frame Inner & Outer w/Seal No Glass - Black
015-201495	Window Glass - Obscure 12-1/2" x 21-1/2"
015-201496	Window Glass - Tinted 12-1/2" x 21-1/2"

Slim Shade™ Also see page 6 in Hardware Catalog

015-201512	Slim Shade™ Complete Unit
015-2014782	Slim Shade™ Window Frame Only - Black
015-201502	Slim Shade™ Replacement Shade Only - Black



Screw Covers / Trim

Flexible Plastic Insert Trim - 5/8"

Quality plastic insert for use on doors, trim molding and windows. Available in 1000 foot spools or handy 25 foot packages.



Part #	Description	Color
011-387	1000' Insert	Polar White
011-388	1000' Insert	Brown
011-389	1000' Insert	Black
011-390	1000' Insert	Colonial White
011-391	1000' Insert	Beige
011-348	100' Insert	Polar White
011-345	100' Insert	Brown
011-347	100' Insert	Black
011-346	100' Insert	Colonial White
011-343	100' Insert	Beige
011-401	50' Insert	Polar White
011-402	50' Insert	Brown
011-403	50' Insert	Black
011-404	50' Insert	Colonial White
011-405	50' Insert	Beige
011-370	25' Insert	Polar White
011-366	25' Insert	Brown
011-367	25' Insert	Black
011-368	25' Insert	Colonial White
011-369	25' Insert	Beige

Quality Plastic Insert Trim - 7/8"

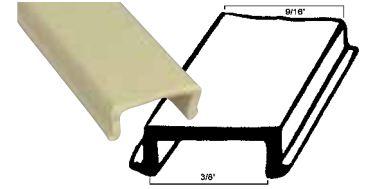
Quality plastic insert for use on doors, trim molding and windows. Available in 750 foot spools or handy 25 foot packages.



Part #	Description	Color
011-382	750' Insert	Polar White
011-383	750' Insert	Brown
011-384	750' Insert	Black
011-385	750' Insert	Colonial White
011-386	750' Insert	Beige
011-372	100' Insert	Polar White
011-375	100' Insert	Brown
011-374	100' Insert	Black
011-373	100' Insert	Colonial White
011-371	100' Insert	Beige
011-376	50' Insert	Polar White
011-377	50' Insert	Brown
011-378	50' Insert	Black
011-379	50' Insert	Colonial White
011-380	50' Insert	Beige
011-349	25' Insert	Polar White
011-350	25' Insert	Brown
011-351	25' Insert	Black
011-352	25' Insert	Colonial White

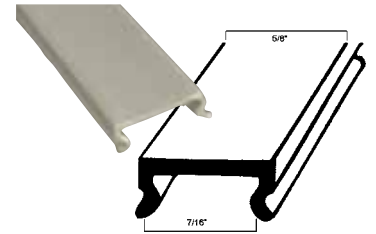
Elixir Screw Cover

Part #	Description	Color
011-354	8' Screw Cover	Colonial White
011-355	8' Screw Cover	Black
011-356	8' Screw Cover	Brown
011-357	8' Screw Cover	Polar White



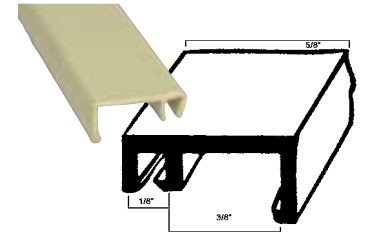
Philips Screw Cover

Part #	Description	Color
011-358	8' Screw Cover	Colonial White
011-359	8' Screw Cover	Black
011-360	8' Screw Cover	Brown
011-361	8' Screw Cover	Polar White



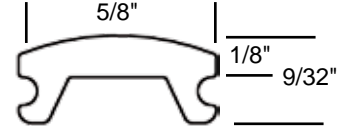
Hehr Screw Cover

Part #	Description	Color
011-362	8' Screw Cover	Colonial White
011-363	8' Screw Cover	Black
011-364	8' Screw Cover	Brown
011-365	8' Screw Cover	Polar White



Flexible PVC Screw Cover - 5/8"

Part #	Description	Color
011-103	600'	White



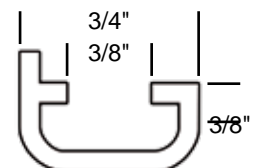
Flexible Screw Cover - 3/4"

Part #	Description	Color
011-398	50' Insert	Polar White
011-399	50' Insert	Black
011-400	500' Insert	Polar White



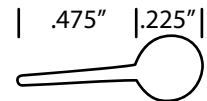
Insert Molding Trim - 3/4"

Part #	Description	Color
011-444	200'	Polar White



Vinyl Gimp Trailer Welt

Part #	Description	Color
011-381	750' Spool	Light Brown
011-397	750' Spool	White



RV Vinyl Insert for Trim Molding

3/4"x 25' Insert	3/4" x 1800' Insert	1" x 50' Insert	1" x 1000' Insert
011-315 Tan	011-392 Tan	011-329 White	011-311 White
011-316 White	011-393 White	011-330 Black	011-312 Black
011-317 Black	011-394 Black	011-331 Colonial White	011-313 Colonial
011-318 Colonial White	011-395 Colonial White	1" x 100' Insert	White
3/4"x 100' Insert	011-396 Walnut	011-306 White	011-314 Walnut
011-319 Tan	011-341 Dark Gray	011-307 Black	011-338 Dark Gray
011-320 White	1" x 25' Insert		
011-321 Black	011-301 White		
011-322 Colonial White	011-302 Black		
011-334 Walnut			
011-340 Dark Gray			



LITECO Products

Europa Sng Blk w/Chrome Globe

Part No.
005-06001059

Quantity
20/ctn



**Ctsy w/Mount
Repl Bult 1895 R**

Part No.
005-068WMT

Quantity
50/ctn



Dome Lt Grey Frame Clr Lens R

Part No.
005-193

Quantity
40/ctn



AC Unitek Double R/V

Part No.
005-826L

Quantity
48/ctn



Ctsy Light No Mount

Part No.
005-068NM

Quantity
50/ctn



Ctsy Black

Part No.
005-168-02

Quantity
50/ctn



Autotek Aircraft Light Single Black

Part No.
005-725-02-2

Quantity
1/ctn



Replacement Straight Handle

Overall Length 12" : Width 1"

Part No.
005-E5300-D

Quantity: Bulk



Lighted Assist Handle - Curved Overall Length - 21"

Top screw to bottom screw - 18-7/8"
Handle - 11-1/2"
Brackets: Sm. - 4"; Lg. - 8-1/4"
Between screw holes: Sm. - 3-1/2"
Lg. - 6-3/8"

Part No.
005-5500-L

Quantity
1/ctn



Dome Light Flush Mnt W/G R/V

Part No.
005-257S

Quantity
40/ctn



Replacement Curved Handle

Overall Length 11-1/2" : Width 1"

Part No.
005-E5000-D

Quantity: Bulk



Lighted Assist Handle - Straight (927) Overall Length - 17 1/2"

Top screw to bottom screw - 16-1/2"
Handle - 12"
Bracket - 4"
Between screw holes - 3-1/2"

Part No.
005-5300-L

Quantity
1/ctn



LITECO Products**Peanut Light w.194 Bulb**Part No.
005-128Quantity
10/ctn**Bulb Co-Pilot #1816 Peng copilet .33amps**Part No.
005-10013Quantity
10/ctn**Bulb Hlgn 12V 10W (1651-H)**Part No.
005-30655010Quantity
10/ctn**2-Bulb Slimline Incandescent Light w/ Dual Switch**Part No.
005-18543936Quantity
1/ctn**Brushed Nickel Aurora Directional Lights-Black Switch**Part No.
005-04010040Quantity
1/ctn**White Oval Courtesy Light**Part No.
005-24077-64Quantity
1/ctn**Strap Small w/insert Black**Part No.
005-01180071Quantity
25/ctn**Stargazer Dbl w/168 Bulb**Part No.
005-06002001Quantity
48/ctn**Co Pilot w/18" Flexible Shaft**Part No.
005-03001150Quantity
20/ctn**Europa Dbl Blk w/Blk Globes**

6" x 2-7/8" x 2-1/4"

Part No.
005-06001037Quantity
20/ctn**Europa Sng Blk w/Blk Globe**Part No.
005-06001048Quantity
20/ctn**AC Autotek Double Blk-2 Way V**Part No.
005-726-02-2Quantity
100/ctn

Surface Shields®



**Carpet Shield®
Self-adhesive Film**

Carpet Shield is a clear, self-adhering protective film for all types of carpeting. Carpet Shield's non-slip surface is a special blend of polyethylene which is highly resistant to tears or punctures. This product is ideal during remodeling, painting and moving. It also minimizes clean-up time and damage claims. Carpet Shield is available in a variety of sizes.



- 022-CS2130W** 21" x 30' Counter/Shelf Display – 12 Pack
- 022-CS12200** 12" x 200' Reverse Wound
- 022-CS18200** 18" x 200' Reverse Wound
- 022-CS18600** 18" x 600' Reverse Wound
- 022-CS181000** 18" x 1000' Reverse Wound
- 022-CS21200** 21" x 200' Reverse Wound
- 022-CS211000** 21" x 1000' Reverse Wound
- 022-CS24200L** 24" x 200' Reverse Wound
- 022-CS241000** 24" x 1000' Reverse Wound
- 022-CSS21200RV** 21" x 200' RV Carpet Shield, Reverse Wound
- 022-CSS211000RV** 21" x 1000' RV Carpet Shield, Reverse Wound

**Double Polish
Protection Film**

Double Polish is a clear 8 mil PVC film that is both strong and durable. Designed to provide long-term carpet protection during transportation, storage or display of RV's and manufactured homes.



- 022-DPC35150** 35" x 150' Clear Film

**Multi Surface
Protection Film**

Multi Surface Protection Film is a durable, self-adhering protective film for hard surfaces such as tile, marble, granite, vinyl, VCT, laminates and factory finished hardwood. It's not only great for floor protection, but it can be used to prevent damage to most counter tops, tubs, sinks, doors and more! Multi Surface Protection Film is ideal for remodeling, painting, moving, model home tours and parties. It is a true multipurpose product!



- 022-FS24200L** 24" x 200' Reverse Wound Green
- 022-FS24500** 24" x 500' Reverse Wound Green

Step N Peel™

Step N Peel™ Clean Mats are polyethylene film mats with a tacky surface to remove dust and dirt from footwear. This unique product features a sturdy, reusable platform constructed of rigid polystyrene, available with a nonskid backing that holds it securely to surfaces such as carpeting, tile, concrete and more.

- Polyethylene film mat with tacky surface
- Designed to remove dirt from footwear
- 30 tabbed sheets for easy removal
- Sturdy, reusable board for any surface
- Nonskid backing holds securely to floor



- 022-DG30W** 25.5"x31.5" Clear on White Frame - 30 Layer
- 022-DGRCM** 24"x30" Clear Refill Pad - 30 Layer

Surface Shields®

**Shoe Covers
Dirt and Scuff Protection**

Protect flooring and footwear with Surface Shields brand shoe covers. Available in three different materials, these shoe covers provide protection at most jobsites. The plastic shoe covers are great for outside use and the cloth are perfect to protect flooring from dirt, scuffs and skids. The polyethylene coated shoe covers are skid resistant and waterproof.



- 022-SC3001PB** Cloth Covers - 10 Pair Retail Pk. *Blue*
- 022-SC300** Cloth Covers - 100 Pair Bulk Pk. *Blue*

Scrim Shield™

- Bottom board repair tape
- Permanent and waterproof
- Woven polyethylene fabric, solid-coated with aggressive adhesive
- Can be applied in below freezing conditions
- Use for repairing or seaming bottom board, tarps and house wrap

- 022-BP4180** 4in x 60yds (101mm x 54.8m) *Black*
- 022-BP6180** 6in x 60yds (152mm x 54.8m) *Black*
- 022-BP2825** 28in x 25ft (711mm x 7.62m) *Black*
- 022-BB1470** 14ft x 70ft (non-adhesive) *Black*



022-BB1470

Painter's Grade Blue Tape

- Medium tack, rubber adhesive
- Residue free
- Suitable for 14 day clean removal



- 022-BT34180** .75in x 60yds (18mm x 54.8m) *Blue*
- 022-BT1180** 1in x 60yds (24mm x 54.8m) *Blue*
- 022-BT15180** 1.5in x 60yds (36mm x 54.8m) *Blue*
- 022-BT2180** 2in x 60yds (48mm x 54.8m) *Blue*

Utility Grade Duct Tape

- Versatile polyethylene coated cloth tape
- High tack adhesive bond
- Easy tear cloth tape



- 022-DUG48S** 2in x 60yds (48mm x 54.8m) *Silver*
- 022-DUG48B** 2in x 60yds (48mm x 54.8m) *Black*

Silver Foil Tape

- Used for vapor barrier protection, waterproof sealing, heat reflection & dissipation, masking in paint stripping and electroplating
- Malleable foil conforms well to irregular and curved surfaces
- Performs well at both low and elevated temperatures
- Can be applied at low temps



- 022-AFT322** 2in x 150ft (48mm x 50yds) *Silver*

Close Up Tapes

- White conformable polyethylene film single coated with an aggressive, low residue natural rubber pressure sensitive adhesive formulation
- Use for splicing, seaming, patching and holding of poly sheeting such as close off poly films, floor protective poly films and air barrier house wrap films



- 022-1362** 2in x 108ft *White*
- 022-1364** 4in x 180ft *White*

Sika

SikaSil GP

SikaSil silicone is an acetoxycuring low modulus sealant used for general seam sealing in interior and exterior applications. It has excellent adhesion to metals, glass, plastic & fiberglass. SikaSil GP has excellent weather stability, is solvent free and is mold & mildew resistant. Highly UV Resistant.

AP Part#	Description
017-189150	SikaSil GP Clear Silicone 295 ML cart
017-189151	SikaSil GP White Silicone 295 ML cart



Sikasil® WS-290

Sikasil® WS-290 is a one-part, neutral-curing, low-modulus silicone sealant that cures to a durable, flexible building sealant. Sikasil® WS-290 performs exceptionally well under dynamic conditions due to its low modulus, high extension/compression, recovery properties and strong adhesion to most building materials. Sikasil® WS-290 accommodates long-term movement of +100-50% in properly designed joints and is particularly well suited for use in exterior Insulation. UV Resistant

AP Part#	Description
017-412128	SikaSil WS-290 Low mod Black 295 ML cart
017-412302	SikaSil WS-290 Low mod Limestone 295 ML cart
017-412301	SikaSil WS-290 Low mod Med Bronze 295 ML cart
017-412300	SikaSil WS-290 Low mod Bronze 295 ML cart
017-412304	SikaSil WS-290 Low mod Colonial White 295 ML cart



Sikasil® N- Plus

Sikasil® N-Plus Sikasil®-N Plus US is a general purpose, neutral cure silicone sealant used for interior and exterior applications. It delivers excellent adhesion to most substrates without surface treatments. Sikasil® N-Plus is highly UV resistant with excellent weather stability and is mold and mildew resistant. Sikasil N-Plus offers excellent sealing joint flexibility for dynamic moving parts. Elongation of 430%, 300 psi tensile strength and 30 minute tack free time.

AP Part#	Description
017-412406	SikaSil N Plus Clear 295 ML cart
017-415697	SikaSil N Plus Aluminum Gray 295 ML cart
017-412136	SikaSil N Plus White 295 ML cart



Sika Multiseal Plus

Sika MultiSeal Plus is a self-adhering, multi-purpose roofing repair tape that, combines an advanced copolymer mastic that exhibits aggressive adhesion with a flexible, non-release, tear proof, UV resistant TPO membrane to create a fast, easy to apply, permanent watertight seal. Sika MultiSeal Plus bonds to a wide range of surfaces including challenging roof materials. The flexible non-release membrane allows the product to adhere to itself so that it can be stretched, cut and folded around intricately shaped roofing accessories to stop water penetration



AP Part#	Description	Color
017-413832	2" x 50' Roll	White Membrane
017-413830	3" x 50' Roll	White Membrane
017-413828	4" x 50' Roll	White Membrane
017-404033	6" x 50' Roll	White Membrane
017-413827	2" x 50' Roll	Gray Membrane
017-413831	3" x 50' Roll	Gray Membrane
017-413829	4" x 50' Roll	Gray Membrane
017-404096	6" x 50' Roll	Black Membrane
017-413828-5	4" x 5' Roll	White Membrane
017-413828-25	4" x 25' Roll	White Membrane

Sika®-Aktivator/Cleaner 205

Sika®-Aktivator/Cleaner 205 is a special adhesion promoting solution for the pretreatment of bonding surfaces prior to bonding or sealing with Sikaflex® products. Sika®-Aktivator/Cleaner 205 improves adhesion and gives a more weather-resistant bond or seal on a variety of substrates, particularly: metals, many plastics, many types of paints and lacquer finishes.

AP Part#	Description
017-108616	Sika Aktivator/Cleaner 205 250 ML Bottle



Sikaflex®-201

Sikaflex® -201 US is a one component moisture curing polyurethane with great elasticity. This flexible all purpose sealant is formulated for applications that require significant joint movement. It has a two to four hour tack free time allowing ample tooling time for large jobs. Sikaflex® -201 US is weather resistant, sandable and paintable; it is non-sagging, flexible, durable and non-staining.

AP Part#	Description
017-90852	Sikaflex 201 White 300 ML cart
017-108220	Sikaflex 201 Tan 300 ML cart



Sikaflex®-221

Sikaflex® -221 is the most well known brand of one component polyurethane sealant/adhesive in the world. Our workhorse. This fast curing product provides permanent elastic adhesion to a number of surfaces with excellent cut and tear resistance. Considered by many to be the ultimate choice in truck, trailer, RV and bus manufacturing. Designed to resist the shock and abuse encountered over countless road miles, Sikaflex® -221 will maintain its strength and adhesion over the long haul. Sikaflex® -221 is weather resistant, sandable, paintable and NSF approved for potable water and incidental food contact.

AP Part#	Description
017-90892	Sikaflex 221 Alum Gray 300 ML cart
017-90893	Sikaflex 221 Black 300 ML cart
017-106449	Sikaflex 221 Colonial White 300 ML cart
017-90891	Sikaflex 221 White 300 ML cart



Sikaflex®-252

The original elastic bonding adhesive, Sikaflex®-252 offers great adhesive strength coupled with elasticity. This combination bonds and seals at the same time, offers excellent gap filling capabilities and compensates for loose tolerances in the building process. Strong enough to sharply reduce or even completely eliminate traditional fastening systems such as welds, rivets, screw and bolts. Excellent Green Strength means reduced clamping time. Bonds to a wide variety of substrates. Some surface prep is generally recommended. Sandable, paintable and NSF approved for incidental food contact.

AP Part#	Description
017-90915	Sikaflex 252 White 10.5 oz cart
017-90916	Sikaflex 252 Black 10.5 oz cart



Sikaflex®-291

Sikaflex® -291 is a 1-component, polyurethane elastomeric adhesive and sealant. Its fast cure time makes it ideal for applications where speed is important. It has excellent adhesion to gelcoat, fiberglass, metal and wood. It may be squeezed or brushed in place. Sikaflex® -291 can be overpainted after the product is tack-free and can be sanded after full cure.

AP Part#	Description
017-90919	Sikaflex 291 White 300 ML cart
017-90923	Sikaflex 291 Black 300 ML cart



Sikaflex®-505 UV HV

Sikaflex®-505 UV HV is a one-component silane terminated polymer (STP) sealant containing no solvents or isocyanates with excellent UV and weathering resistance. Sikaflex-505 UV HV offers 60 minute tack free time with excellent adhesion to a wide variety of substrates with little or no surface treatment, has excellent tooling characteristics and non-yellowing.

AP Part#	Description
017-415763	Sikaflex 505 UV HV White 300 ML cart



Sikaflex®-715

Sika® has dedicated considerable resources in developing a roof sealant for EPDM roof membrane. The result is a novel solution in RV roof sealing! Sikaflex®-715, is a cross-linking “chemical curing flexible, elastic, and durable roof sealant”. This curing process imparts a highly elastic internal strength not found in traditional RV roof sealant products. Sikaflex-715 will bond to a variety of roofing component substrates. Unlike other roofing sealants, Sikaflex®-715 has very low VOC's and won't crack under the most extreme conditions! Traditional roof sealants have high shrink characteristics and crack when exposed to the environment. Sikaflex®-715 provides peace of mind!

AP Part#	Description
017-187690	Sikaflex 715 Roof Sealant 300 ML cart



STA'-PUT

STA'-PUT Spray Adhesive (SPM)

The superior bond strength properties and exceptional tack makes SPM an excellent choice for most permanent or temporary adhesive applications. SPM is resistant to water, combines exceptional tack with high shear strength, is fast drying and has a long working time, making the product ideal for a wide variety of applications.

STA'-PUT SPM was designed to be used as a multi-purpose product. The pressure sensitive qualities make this product suitable for a variety of applications within the general construction, manufactured housing, RV, aviation, marine, HVAC, textile, and upholstery industries. It can be used on porous and many non-porous surfaces. (Formerly Green Can)

The ideal application temperature for **STA'-PUT** is 70°F/38°C.

Part#	Description	Quantity
001-SPM16ACC	STA'-PUT Spray Adhesive	16 oz.



STA'-PUT Spray Adhesive for Polystyrene Foam (SPII)

STA'-PUT SPII is a pressure sensitive adhesive specifically formulated for bonding expanded polystyrene foam (EPS) to itself and other materials. Superior bond strength properties and exceptional tack makes STA'-PUT SPII an excellent choice for most temporary and permanent EPS applications. SPII provides high shear strength, heat/ UV stability, water resistance, fast drying and a long working time.

STA'-PUT SPII was specifically designed for bonding expanded polystyrene (EPS) to itself or to various substrates. The adhesive's pressure and bonding properties make the product suitable for a variety of applications within the manufactured housing, RV, marine, refrigeration, and general construction industries. SPII can also be used for exhibit displays, theater scenery, and various crafts. It can be used on porous and many non-porous surfaces. (Formerly Blue Can)

The ideal application temperature for **STA'-PUT** is 70°F/38°C.

Part#	Description	Quantity
001-SP213ACC	STA'-PUT Spray Adhesive for Polystyrene Foam	13 oz.



STA'-PUT Adhesive Remover (SPR)

STA'-PUT S203 is a biodegradable, natural solvent cleaner, degreaser and adhesive remover. It can be used safely on most surfaces and substrates, including painted surfaces, glass, porcelain, concrete, many plastics and vinyl. S203 can be used to remove adhesives, grease, oil stains, road tar, rubber marks, and many others. S203 has a pleasant citrus scent. (Formerly Orange Can)

The ideal application temperature for **STA'-PUT** is 70°F/38°C.

Part#	Description	Quantity
001-S203	STA'-PUT S203 Clear	14 oz.



STA'-PUT Spray Adhesive Clear (SPH)

The superior bond strength properties and exceptional tack makes SPH an excellent choice for most permanent adhesive applications. SPH has high shear strength, heat/ UV stability, water resistance, fast drying and a long working time.

STA'-PUT SPH was specifically designed for bonding high-pressure laminate to various substrates. The adhesive's pressure sensitive qualities make the product suitable for a variety of industrial applications including; manufactured housing, general construction, RV, marine, woodworking, furniture, textile, HVAC, and the upholstery industries. It can be used on porous and many non-porous surfaces. (Formerly Red Can)

The ideal application temperature for **STA'-PUT** is 70°F/38°C.

Part#	Description	Quantity
001-SPH15ACC	STA'-PUT Spray Adhesive Clear	15 oz.



Spray Paint

Dap Touch 'N Tone



003-55273



003-55274



003-55275



003-55281



003-55285



003-55276



003-55277



003-55279

Part#	Description	Color	Qty
003-55273	10 oz Sprays	Aluminum	6
003-55274	10 oz Sprays	Gloss White	6
003-55275	10 oz Sprays	Flat Black	6
003-55276	10 oz Sprays	Gloss Black	6
003-55277	10 oz Sprays	Leather Brown	6
003-55279	10 oz Sprays	Primer Gray	6
003-55280	10 oz Sprays	Flat White	6
003-55281	10 oz Sprays	Antique White	6
003-55285	10 oz Sprays	Almond	6
003-55286	10 oz Sprays	Clear Acrylic	6
003-55288	10 oz Sprays	Dove Gray	6

Spray 'N Go Fast Dry Decorative Enamel



003-51110



003-51103



003-51107

Part#	Description	Color	Qty
003-51103	12 oz Sprays	Gloss White	6
003-51104	12 oz Sprays	Gloss Black	6
003-51110	12 oz Sprays	Flat Black	6
003-51124	12 oz Sprays	Beige	6
003-51127	12 oz Sprays	Gray Primer	6

Tools

Hand Nut Drivers



- 009-ND1/4** 1/4 Drive 6-1/2" Long with Large Handle (Not Carded)
- 009-ND1/4C** 1/4 Drive 6-1/2" Long with Large Handle (Carded)
- 009-NDL1/4** 1/4 Drive 9-1/2" Long with Large Handle (Not Carded)
- 009-NDL1/4C** 1/4 Drive 9-1/2" Long with Large Handle (Carded)
- 009-ND5/16** 5/16 Drive 6-1/2" Long with Large Handle (Not Carded)
- 009-ND5/16C** 5/16 Drive 6-1/2" Long with Large Handle (Carded)
- 009-ND3/8** 3/8 Drive 6-1/2" Long with Large Handle (Not Carded)
- 009-ND3/8C** 3/8 Drive 6-1/2" Long with Large Handle (Carded)

Combination Screwdrivers



- 009-4-IN1CRC** 7-1/2 O.A.L. 5/16 Drive, #1 & #2 Square, 5/16 Drive 5/32 & 3/16 Clutch (Carded)
- 009-4-IN1PRC** 7-1/2 O.A.L. 5/16 Drive, #1 & #2 Phillips, 5/16 Drive #1 & #2 Square (Carded)
- 009-4IN-1PSR** 7-1/2 O.A.L. 5/16 Drive, #1 Phil & 3/16 Slot, 5/16 Drive #1 & #2 Square (Not Carded)
- 009-6IN-1C** 7-1/2 O.A.L. 1/4 Drive, #1 & #2 Phil, 5/16 Drive 3/16 & 5/16 Slot (Carded)
- 009-6IN-1PRC** 7-1/2 O.A.L. 1/4 Drive, #1 & #2 Phil, #1 & #2 Square (Carded)
- 009-PC2-IN-1C** 4-3/4 O.A.L. 3/16 Drive, #1 Phil & 3/16 Slot, with Pocket Clip (Carded)

Square Recess Screwdrivers



- 009-HDQB0** #0 Point Standard Model (Not Carded)
- 009-HDQB0C** #0 Point Standard Model (Carded)
- 009-HDQB1** #1 Drive Standard Model (Not Carded)
- 009-HDQB1C** #1 Drive Standard Model (Carded)
- 009-HDQB2** #2 Drive Standard Model (Not Carded)
- 009-HDQB2C** #2 Drive Standard Model (Carded)
- 009-HDQB3** #3 Drive Standard Model (Not Carded)
- 009-HDQB3C** #3 Drive Standard Model (Carded)
- 009-HDQB2L** #2 Drive Large Handle (Not Carded)
- 009-HDQB2LC** #2 Drive Large Handle (Carded)
- 009-QD1** #1 Drive Economy Model (Not Carded)
- 009-QD1C** #1 Drive Economy Model (Carded)
- 009-QD2** #2 Drive Economy Model (Not Carded)
- 009-QD2C** #2 Drive Economy Model (Carded)

Torx Screwdrivers



- 009-HDT15** #15 Drive Plastic Handle (Not Carded)
- 009-HDT15C** #15 Drive Plastic Handle (Carded)
- 009-HDT20** #20 Drive Plastic Handle (Not Carded)
- 009-HDT20C** #20 Drive Plastic Handle (Carded)

Clutch Screwdrivers



- 009-C3** 5/32 Drive Plastic Handle (Not Carded)
- 009-C3C** 5/32 Drive Plastic Handle (Carded)
- 009-C4** 3/16 Drive Plastic Handle (Not Carded)
- 009-C4C** 3/16 Drive Plastic Handle (Carded)

16-In-1 Screwdriver



- 009-16-IN-1** #0 & #1 Phillips, #2 & #3 Phillips, 3/16 & 1/4 Slotted, 5/32 & 7/32 Slotted, #0 & #1 Square, #2 & #3 Square, #10 & #15 Torx, #20 & #25 Torx (Carded)

Magnetic Screwdrivers



- 009-M5 IN 1 LTC** Aluminum 8" O.A.L. 000T10 Torx, 000T15 Torx, 000T20 Torx, 000T25 Torx, and 000T30 Torx (Carded)
- 009-M5IN1PST** Aluminum 8" O.A.L. 5/16 Nut Setter, 1/4 Nut Setter, #1 & #2 Phillips, #4 & #8 Slotted (Not Carded)
- 009-M5IN1PSTC** Aluminum 8" O.A.L. 5/16 Nut Setter, 1/4 Nut Setter, #1 & #2 Phillips, #4 & #8 Slotted (Carded)
- 009-M6 IN 1 MC** Aluminum 8" O.A.L. 250SS6 Slot, 250SS8 Slot, 4P1 & 4P2 & 4P3 Phil, 000F2 Frearson (Carded)
- 009-RVM5IN1AB** Aluminum 8" O.A.L. 250SS8 Slot, 4P2 Phil, 250 RI Square, 250R2 Square, & 000C3 Clutch (Not Carded)
- 009-RVM5IN1AC** Aluminum 8" O.A.L. 250SS8 Slot, 4P2 Phil, 250R1 Square, 250R2 Square, and 000C3 Clutch (Carded)
- 009-RVM5IN1SSB** Stainless 8" O.A.L. 250SS8 Slot, 4P2 Phil, 250R1 Square, 250R2 Square, and 000C3 Clutch (Not Carded)
- 009-RVM5IN1SSC** Stainless 8" O.A.L. 250SS8 Slot, 4P2 Phil, 250R1 Square, 250R2 Square, and 000C3 Clutch (Carded)
- 009-RVM51BSC** Replacement Bits For RVM5IN1 250SS8 Slot, 4P2 Phil, 250R1 Square, 250R2 Square, and 000C3 Clutch

Screwdriver Kits



- 009-TT9** Includes: ND1/4 Hand Nut Driver, 4-IN-1 Combination Screwdriver, 4-IN-1CR Combination Screwdriver, SA37W Awl (Bagged)
- 009-4SDS** Includes: ND1/4 Hand Nut Driver, 4-IN-1 Combination Screwdriver, CS Clutch Screwdriver, HDQB2 Square Recess Screwdriver (Bagged)
- 009-RV9SDSC** Includes: 250R1 & 250R2 Square Recess Bits, 250SS8 Slotted Bit, 4P1 & 4P2 Phillips Bit, 000C3 Clutch Bit, MSHS1/4 & MSHS 5/16 Mag. Nut Setters, MBH1/4 Magnetic Bit Holder, PBH7 Plastic Bit Holder (Carded)
- 009-AC8SDSC** Includes: 250SS4 & 250SS6 & 250SS8 Slotted Bits, 4P1 & 4P2 & 4P3 Phillips Bit, MSHS1/4 Mag. Nut Setters, MBH1/4 Magnetic Bit Holder, PBH7 Plastic Bit Holder (Carded)

Pipe Cutters



- 009-MPC1** For use on 1/8" - 5/8" Copper, Brass, or Aluminum Tubing (Not Carded)
- 009-PC2** For use on 1/8" - 1-1/8" Copper, Brass, or Aluminum Tubing (Not Carded)

Flaring Tools



- 009-TFT3** For 3/16" - 5/8" O.D. Tubing (Not Carded)

Aluminum/Aluminum Blind Rivets



- 009-AA42D100** 1/8 Rivet Diam, 1/8 Grip Range, 100/box
- 009-AA44D100** 1/8 Rivet Diam, 1/4 Grip Range, 100/box
- 009-AA46D100** 1/8 Rivet Diam, 3/8 Grip Range, 100/box
- 009-AA48D100** 1/8 Rivet Diam, 1/2 Grip Range, 100/box
- 009-AA64D100** 3/16 Rivet Diam, 1/4 Grip Range, 100/box
- 009-AA66D100** 3/16 Rivet Diam, 3/8 Grip Range, 100/box
- 009-AA68D100** 3/16 Rivet Diam, 1/2 Grip Range, 100/box

Slotted And Phillips Bits

Phillips Power Bits

Part#	Description
009-42P1	1/4 X 2" Drive by Lgth, #1 (Not Carded)
009-42P1C	1/4 X 2" Drive by Lgth, #1 (Carded)
009-42P2	1/4 X 2" Drive by Lgth, #2 (Not Carded)
009-42P2C	1/4 X 2" Drive by Lgth, #2 (Carded)
009-42P2-50	1/4 X 2" Drive by Lgth, #2 (100 Piece Box)
009-42P3	1/4 X 2" Drive by Lgth, #3 (Not Carded)
009-42P3C	1/4 X 2" Drive by Lgth, #3 (Carded)
009-43P1	1/4 X 2-3/4" Drive by Lgth, #1 (Not Carded)
009-43P2	1/4 X 2-3/4" Drive by Lgth, #2 (Not Carded)
009-43P2C	1/4 X 2-3/4" Drive by Lgth, #2 (Carded)
009-43P3	1/4 X 2-3/4" Drive by Lgth, #3 (Not Carded)
009-43P3C	1/4 X 2-3/4" Drive by Lgth, #3 (Carded)
009-46P1	1/4 X 6" Drive by Lgth, #1 (Not Carded)
009-46P2	1/4 X 6" Drive by Lgth, #2 (Not Carded)
009-46P2C	1/4 X 6" Drive by Lgth, #2 (Carded)



Phillips Insert Bits

Part#	Description
009-4P1	1/4 X 1" Drive by Lgth, #1 (Not Carded)
009-4P1C	1/4 X 1" Drive by Lgth, #1 (Carded)
009-4P2	1/4 X 1" Drive by Lgth, #2 (Not Carded)
009-4P2C	1/4 X 1" Drive by Lgth, #2 (Carded)
009-4P2-100	1/4 X 1" Drive by Lgth, #2 (100 Piece Box)
009-4P3	1/4 X 1" Drive by Lgth, #3 (Not Carded)
009-4P3C	1/4 X 1" Drive by Lgth, #3 (Carded)
009-4P3C	1/4 X 2-3/4" Drive by Lgth, #1 (Not Carded)



Slotted Power Bits

Part#	Description
009-20-6S	1/4 X 1-15/16" Drive by Lgth, 5F-6R (Not carded)
009-20-7S	1/4 X 1-15/16" Drive by Lgth, 6F-7R (Not carded)
009-20-7SC	1/4 X 1-15/16" Drive by Lgth, 6F-7R (Carded)
009-20-8S	1/4 X 1-15/16" Drive by Lgth, 8F-10R (Not carded)



Slotted Insert Bits

Part#	Description
009-250SS4	1/4 X 1" Drive by Lgth, 4F-5R (Not carded)
009-250SS4C	1/4 X 1" Drive by Lgth, 4F-5R (Carded)
009-250SS6	1/4 X 1" Drive by Lgth, 6F-7R (Not carded)
009-250SS6C	1/4 X 1" Drive by Lgth, 6F-7R (Carded)
009-250SS8	1/4 X 1" Drive by Lgth, 8F-10R (Not carded)
009-250SS8C	1/4 X 1" Drive by Lgth, 8F-10R (Carded)
009-250SS10	1/4 X 1" Drive by Lgth, 12F-14R (Not carded)
009-250SS10C	1/4 X 1" Drive by Lgth, 12F-14R (Carded)



Star Insert Bits

Part#	Description
009-000T10	1/4 X 1" Drive by Lgth, #10 (Not carded)
009-000T15	1/4 X 1" Drive by Lgth, #15 (Not carded)
009-000T15C	1/4 X 1" Drive by Lgth, #15 (Carded)
009-000T20	1/4 X 1" Drive by Lgth, #20 (Not carded)
009-000T20C	1/4 X 1" Drive by Lgth, #20 (Carded)
009-000T25	1/4 X 1" Drive by Lgth, #25 (Not carded)
009-000T25C	1/4 X 1" Drive by Lgth, #25 (Carded)
009-000T40	1/4 X 1" Drive by Lgth, #40 (Not carded)
009-000T40C	1/4 X 1" Drive by Lgth, #40 (Carded)



Double End Bit

009-DEB28	1/4 Hex Drive 2" Lgth, Screw Size #2 Phillips & #8 Slotted (Not carded)
-----------	---



Shanks For Reversible Socket

009-2SHS	Roll Pin 1/4" Hex, 2" Lgth, 1/4 Drive Size (Not Carded)
----------	---



Square Recess And Clutch Bits

Square Recess Power Bits

Part#	Description
009-250QB2P3C	1/4 X 3" Drive by Lgth, #2 (Carded)
009-250QB3P3C	1/4 X 3" Drive by Lgth, #3 (Carded)
009-250QB2P4	1/4 X 4" Drive by Lgth, #2 (Not Carded)
009-250QB2P4C	1/4 X 4" Drive by Lgth, #2 (Carded)
009-250QB2P6	1/4 X 6" Drive by Lgth, #2 (Not Carded)
009-250QB2P6C	1/4 X 6" Drive by Lgth, #2 (Carded)
009-250QB1P	1/4 X 2" Drive by Lgth, #1 (Not Carded)
009-250QB1PC	1/4 X 2" Drive by Lgth, #1 (Carded)
009-250QB2P	1/4 X 2" Drive by Lgth, #2 (Not Carded)
009-250QB2PC	1/4 X 2" Drive by Lgth, #2 (Carded)
009-250QB3P	1/4 X 2" Drive by Lgth, #3 (Not Carded)
009-250QB3PC	1/4 X 2" Drive by Lgth, #3 (Carded)
009-250QB1P3C	1/4 X 3" Drive by Lgth, #1 (Carded)
009-250QB2P3	1/4 X 3" Drive by Lgth, #2 (Not Carded)



Clutch Power Bits

Part#	Description
009-100A2	1/4X1-15/16" Drive by Lgth, 1/8-A (Not Carded)
009-100A2C	1/4X1-15/16" Drive by Lgth, 1/8-A (Carded)
009-100A3	1/4X1-15/16" Drive by Lgth, 5/32-A (Not Carded)
009-100A3C	1/4X1-15/16" Drive by Lgth, 5/32-A (Carded)
009-100A4	1/4X1-15/16" Drive by Lgth, 3/16-A (Not Carded)
009-100A4C	1/4X1-15/16" Drive by Lgth, 3/16-A (Carded)
009-100C3	1/4X1-15/16" Drive by Lgth, 5/32-G (Not Carded)
009-100C3C	1/4X1-15/16" Drive by Lgth, 5/32-G (Carded)
009-100C4	1/4X1-15/16" Drive by Lgth, 3/16-G (Not Carded)
009-100C4C	1/4X1-15/16" Drive by Lgth, 3/16-G (Carded)



Square Recess Insert Bits

Part#	Description
009-250R1	1/4 X 1" Drive by Lgth, #1 (Not Carded)
009-250R1C	1/4 X 1" Drive by Lgth, #1 (Carded)
009-250R2	1/4 X 1" Drive by Lgth, #2 (Not Carded)
009-250R2C	1/4 X 1" Drive by Lgth, #2 (Carded)
009-250R3	1/4 X 1" Drive by Lgth, #3 (Not Carded)
009-250R3C	1/4 X 1" Drive by Lgth, #3 (Carded)



Clutch Insert Bits

Part#	Description
009-000A3	1/4 X 1-1/4" Drive by Lgth, 5/32-A
009-000A3C	1/4 X 1-1/4" Drive by Lgth, 5/32-A (Carded)
009-000A4	1/4 X 1-1/4" Drive by Lgth, 3/16-A (Not Carded)
009-000A4C	1/4 X 1-1/4" Drive by Lgth, 3/16-A (Carded)
009-000C3	1/4 X 1-1/4" Drive by Lgth, 5/32-G (Not Carded)
009-000C3C	1/4 X 1-1/4" Drive by Lgth, 5/32-G (Carded)
009-000C4	1/4 X 1-1/4" Drive by Lgth, 3/16-G (Not Carded)
009-000C4C	1/4 X 1-1/4" Drive by Lgth, 3/16-G (Carded)



Magnetic Reversible Socket

009-MRS1/4C Straight 1/4" Hex, 1" Drive by Lgth (Carded)



Magnetic Power Bit Holder

009-304CR 1/4 X 3" Drive by Lgth, 1/4 (Not Carded)
 009-304CRC 1/4 X 3" Drive by Lgth, 1/4 (Carded)



Non-Magnetic Sockets

009-250ST1/4 Tapered 1/4" Square Driver, Lgth 1, Drive 1/4 (Not Carded)

009-250ST5/16 Tapered 1/4" Square Driver, Lgth 1, Drive 5/16 (Not Carded)



Tapered



Shoulder

Non-Magnetic Power Bit Holder

009-BH1/4 1/4 X 2" Drive by Lgth, 1/4 (Not Carded)
 009-BH1/4C 1/4 X 2" Drive by Lgth, 1/4 (Carded)



Sockets And Nutsetters

Magnetic Sockets



Tapered	Shoulder
009-250MS1/4	Shoulder 1/4" Square Driver, Lgth 1, Drive 1/4 (Not Carded)
009-250MST1/4	Tapered 1/4" Square Driver, Lgth 1, Drive 1/4 (Not Carded)
009-250MST1/4C	Tapered 1/4" Square Driver, Lgth 1, Drive 1/4 (Carded)
009-250MS5/16	Shoulder 1/4" Square Driver, Lgth 1, Drive 5/16 (Not Carded)
009-250MS5/16C	Shoulder 1/4" Square Driver, Lgth 1, Drive 5/16 (Carded)
009-250MST5/16	Tapered 1/4" Square Driver, Lgth 1, Drive 5/16 (Not Carded)
009-250MST5/16C	Tapered 1/4" Square Driver, Lgth 1, Drive 5/16 (Carded)
009-250MS3/8	Tapered 1/4" Square Driver, Lgth 1, Drive 3/8 (Not Carded)
009-250MS3/8C	Tapered 1/4" Square Driver, Lgth 1, Drive 3/8 (Carded)

Magnetic Power Nutsetters



009-104	1/4X1-3/4" Drive by Lgth, 1/4 (Not Carded)
009-104C	1/4X1-3/4" Drive by Lgth, 1/4 (Carded)
009-104-50	1/4X1-3/4" Drive by Lgth, 1/4 (50 Piece Box)
009-105	1/4X1-3/4" Drive by Lgth, 5/16 (Not Carded)
009-105C	1/4X1-3/4" Drive by Lgth, 5/16 (Carded)
009-105-50	1/4X1-3/4" Drive by Lgth, 5/16 (50 Piece Box)
009-106	1/4X1-3/4" Drive by Lgth, 3/8 (Not Carded)
009-106C	1/4X1-3/4" Drive by Lgth, 3/8 (Carded)
009-MSH7/16	1/4X1-3/4" Drive by Lgth, 7/16 (Carded)
009-134	1/4X2-9/16" Drive by Lgth, 1/4 (Not Carded)
009-134C	1/4X2-9/16" Drive by Lgth, 1/4 (Carded)
009-135	1/4X2-9/16" Drive by Lgth, 5/16 (Not Carded)
009-135C	1/4X2-9/16" Drive by Lgth, 5/16 (Carded)
009-136	1/4X2-9/16" Drive by Lgth, 3/8 (Not Carded)
009-136C	1/4X2-9/16" Drive by Lgth, 3/8 (Carded)
009-MSHL1/4-4	1/4 X 4" Drive by Lgth, 1/4 (Not Carded)
009-MSHL1/4-4C	1/4 X 4" Drive by Lgth, 1/4 (Carded)
009-MSHL1/4-6	1/4 X 6" Drive by Lgth, 1/4 (Not Carded)
009-MSHL1/4-6C	1/4 X 6" Drive by Lgth, 1/4 (Carded)

Magnetic Power Tapered Nutsetters



009-MSHB1/4	1/4 X 2" Drive by Lgth, 1/4 (Not Carded)
009-MSHB1/4C	1/4 X 2" Drive by Lgth, 1/4 (Carded)

Non-Magnetic Power Nutsetters



009-SH1/4	1/4X1-3/4" Drive by Lgth, 1/4 (Not Carded)
------------------	--

Magnetic Insert Nutsetters



009-MSHS1/4	1/4X1-1/8" Drive by Lgth, 1/4 (Not Carded)
009-MSHS1/4C	1/4X1-1/8" Drive by Lgth, 1/4 (Carded)

Screws

MH/RV Screws - Unslotted Hex Washer Head

Part #	Ctn Qty	Mstr Ctn	Ctn Wgt	Finish
012-TRB-8 x 1/2	15M		44.25	Zinc/Painted
012-TRB-8 x 3/4	9.6M		39.50	Zinc/Painted
012-TRB-8 x 1	7.5M		39.60	Zinc/Painted
012-TRB-8 x 1-1/4	6M		35.70	Zinc/Painted
012-TRB-8 x 1-1/2	6.5M		34.75	Zinc/Painted
012-TRB-8 x 2	3.5M		32.00	Zinc/Painted
012-TRB-8 x 2-1/2	3M		36.00	Zinc/Painted
012-TR1000-8 x 1/2	1M	10M	33	Zinc/Painted
012-TR1000-8 x 3/4	1M	10M	42	Zinc/Painted
012-TR1000-8 x 1	1M	10M	53	Zinc/Painted
012-TR1000-8 x 1-1/4	1M	10M	70	Zinc/Painted
012-TR1000-8 x 1-1/2	1M	10M	78	Zinc/Painted
012-TR500-8 x 1/2	500	5M	18	Zinc/Painted
012-TR500-8 x 3/4	500	5M	22	Zinc/Painted
012-TR500-8 x 1	500	5M	28	Zinc/Painted
012-TR500-8 x 1-1/4	500	5M	32	Zinc/Painted
012-TR500-8 x 1-1/2	500	5M	37	Zinc/Painted
012-TR250-8 x 2	250	2.5M	24	Zinc/Painted
012-TR250-8 x 2-1/2	250	2.5M		Zinc
012-TR100-8 x 1/2	100	1M	4	Zinc/Painted
012-TR100-8 x 3/4	100	1M	5	Zinc/Painted
012-TR100-8 x 1	100	1M	6	Zinc/Painted
012-TR100-8 x 1-1/4	100	1M	7	Zinc/Painted
012-TR100-8 x 1-1/2	100	1M	8	Zinc/Painted
012-TR100-8 x 2	100	1M	10	Zinc/Painted
012-TR100-8 x 2-1/2	100	1M	11	Zinc
010-TR50-8 x 1/2	50	500	2	Zinc/Painted
012-TR50-8 x 3/4	50	500	4	Zinc/Painted
012-TR50-8 x 1	50	500	4	Zinc/Painted
012-TR50-8 x 1-1/4	50	500	5	Zinc/Painted
012-TR50-8 x 1-1/2	50	500	5	Zinc/Painted
012-TR50-8 x 2	50	500		Zinc/Painted
012-TR100-10 x 1	100	1M		Zinc
012-TR100-10 x 2	100	1M		Zinc

Ordering Painted Screws (may fall under special order):

Stocking colors: (W) Polar White, (BL) Black, (BR) Brown, (CO) Colonial White, (BZ) Bronze.

To indicate color, insert color code into part # blank. Example: 012-TR1000W8x1/2



Square Recess Screws - Pan Head

Part #	Ctn Qty	Mstr Ctn	Ctn Wgt	Finish
012-PSQB-8 x 3/4	9.6M			Zinc/Painted/Bronze
012-PSQB-8 x 1	7.5M			Zinc/Painted/Bronze
012-PSQB-8 x 1-1/4	6M		36	Zinc/Painted/Bronze
012-PSQB-8 x 1-1/2	5M		35	Zinc/Painted/Bronze
012-PSQB-8 x 2	3.5M			Zinc/Painted/Bronze
012-PSQB-8 x 3	1.5M			Zinc/Bronze
012-PSQ1000-8 x 5/8	1M	10M	40	Zinc
012-PSQ1000-8 x 3/4	1M	10M	42	Zinc/Painted/Bronze
012-PSQ1000-8 x 1	1M	10M	53	Zinc/Painted/Bronze
012-PSQ1000-8 x 1-1/4	1M	10M	70	Zinc/Painted/Bronze
012-PSQ1000-8 x 1-1/2	1M	10M	78	Zinc/Painted/Bronze
012-PSQ500-8 x 3/4	500	5M	21	Zinc/Painted/Bronze
012-PSQ500-8 x 1	500	5M	25	Zinc/Painted/Bronze
012-PSQ500-8 x 1-1/4	500	5M	29	Zinc/Painted/Bronze
012-PSQ500-8 x 1-1/2	500	5M	35	Zinc/Painted/Bronze
012-PSQ500-8 x 3	500	5M		Zinc/Bronze
012-PSQ250-8 x 2	250	2.5	23	Zinc/Painted
012-PSQ100-8 x 3	100	1M	16	Zinc/Bronze
012-PSQ50-8 x 3/4	50	500	3	Zinc/Painted/Bronze
012-PSQ50-8 x 1	50	500	3	Zinc/Painted/Bronze
012-PSQ50-8 x 1-1/4	50	500	4	Zinc/Painted/Bronze
012-PSQ50-8 x 1-1/2	50	500	4	Zinc/Painted/Bronze
012-PSQ50-8 x 2			5	Zinc/Painted

Ordering Painted Screws (may fall under special order):

Stocking colors: (W) Polar White, (BL) Black, (BR) Brown, (CO) Colonial White, (BZ) Bronze.

To indicate color, insert color code into part # blank.



Screws

Unslotted Hex Washer Head Self Drilling - Zinc Plate

Part #	Ctn Qty	Mstr Ctn	Ctn Wgt	Finish
012-DPB 8 x 1/2	10M			Zinc
012-DPB 8 x 3/4	10M			Zinc
012-DPB 8 x 1	8M			Zinc
012-DPB 8 x 1-1/4	6M			Zinc
012-DPB 8 x 1-1/2	5M			Zinc
012-DP500 8 x 1/2	500	5M	18	Zinc
012-DP500 8 x 3/4	500	5M	24	Zinc
012-DP500 8 x 1	500	5M	29	Zinc
012-DP500 8 x 1-1/4	500	5M	32	Zinc
012-DP500 8 x 1-1/2	500	5M	38	Zinc
012-DP100 8 x 1/2	100	1M	4	Zinc
012-DP100 8 x 3/4	100	1M	5	Zinc
012-DP100 8 x 1	100	1M	6	Zinc
012-DP100 8 x 1-1/2	100	1M	8	Zinc
012-DP50 8 x 1/2	50	500	2	Zinc
012-DP50 8 x 3/4	50	500	4	Zinc
012-DP50 8 x 1	50	500	4	Zinc
012-DP50 8 x 1-1/4	50	500	5	Zinc
012-DP50 8 x 1-1/2	50	500	5	Zinc
012-DP100 10 x 5/8	100	1M		Zinc
012-DP100 10 x 3/4	100	1M		Zinc
012-DP100 10 x 1	100	1M		Zinc
012-DP100 10 x 1-1/2	100	1M		Zinc
012-DP3/8B 14 x 3/1				Zinc
012-DP3/8B 14 x 1				Zinc
012-DP3/8 500 14 x 3/4	500			Zinc
012-DP3/8 500 14 x 1	500			Zinc
012-DP3/8 100 14 x 3/4	100			Zinc
012-DP3/8 100 14 x 1	100			Zinc



Flat Head - Square Recess Screws

Part #	Ctn Qty	Mstr Ctn	Ctn Wgt	Finish
012-FSQB-8 x 1	10M			Raw/Zinc
012-FSQB-8 x 1-1/2	8M			Raw/Bronze/Black/Zinc
012-FSQB-8 x 2	4.5M			Raw/Bronze/Black/Zinc
012-FSQB-8 x 2-1/2	2M			Raw/Bronze/Black/Zinc
012-FSQB-8 x 3	1M			Raw/Bronze/Black/Zinc
012-FSQB-8 x 4	1,000M			Raw
012-FSQ1000-8 x 1	1M	10M		Raw/Zinc
012-FSQ1000-8 x 1-1/2	1M	10M		Raw/Bronze/Black/Zinc
012-FSQ500-8 x 1	500	5M		Raw/Zinc
012-FSQ500-8 x 1-1/2	500	5M		Raw/Bronze/Black/Zinc
012-FSQ500-8 x 2	500	5M		Raw/Bronze/Black/Zinc
012-FSQ500-8 x 2-1/2	500	5M		Raw/Bronze/Black/Zinc
012-FSQ500-8 x 3	500	5M		Raw/Bronze/Black/Zinc
012-FSQ250-8 x 1-1/2	250	2.5M		Raw/Bronze/Black/Zinc
012-FSQ250-8 x 2	250	2.5M		Raw/Bronze/Black/Zinc
012-FSQ100-8 x 1-1/2	100	1M		Raw/Bronze/Black/Zinc
012-FSQ100-8 x 2	100	1M	10	Raw/Bronze/Black/Zinc
012-FSQ100-8 x 2-1/2	100	1M		Raw/Bronze/Black/Zinc
012-FSQ100-8 x 3	100	1M		Raw/Bronze/Black/Zinc
012-FSQ100-8 x 4	100	1M		Raw/Black/Zinc
012-FSQ25-8 x 1-1/2	25	250	2	Raw/Bronze/Black/Zinc
012-FSQ25-8 x 2	25	250	3	Raw/Bronze/Black/Zinc
012-FSQ25-8 x 2-1/2	25	250	3	Raw/Bronze/Black/Zinc
012-FSQ25-8 x 3	25	250		Raw/Bronze/Black/Zinc

Ordering Painted Screws (may fall under special order):

Stocking colors: (W) Polar White, (BL) Black, (BR) Brown, (CO) Colonial White, (BZ) Bronze.

To indicate color, insert color code into part # blank.



Screws

Tri-Screws - Pan Head Self Drilling - Zinc

Part #	Ctn Qty	Mstr Ctn	Ctn Wgt	Finish
012-PTKB 8 x 3/4	9.5M			Zinc
012-PTKB 8 x 1	7.5M			Zinc
012-PTKB 8 x 1-1/2	5M			Zinc
012-PTK 500 8 x 3/4	500			Zinc
012-PTK 500 8 x 1	500			Zinc
012-PTK 500 8 x 1-1/2	500			Zinc
012-PTK 100 8 x 3/4	100			Zinc
012-PTK 100 8 x 1	100			Zinc
012-PTK 100 8 x 1-1/2	100			Zinc



Tri-Drive Oval Head Screws

Part #	Ctn Qty	Mstr Ctn	Ctn Wgt	Finish
012-RTB-6 x 1	11M			Zinc/Painted
012-RTB-6 x 1-1/2	10M			Zinc/Painted
012-RT 500-6 x 1	500			Zinc
012-RT 500-6 x 1-1/2	500			Zinc/Painted
012-RT200-6 x 1-1/2	200	2M		Zinc/Painted
012-RT100-6 x 1	100			Zinc
012-RT100-6 x 1-1/2	100			Painted
012-RT50-6 x 1-1/2	50			Zinc/Painted

Ordering Painted Screws (may fall under special order):
Stocking colors: (W) Polar White, (BL) Black, (BR) Brown,
(CO) Colonial White, (BZ) Bronze.
To indicate color, insert color code into part # blank.



Pan Washer Head - Tri Screws

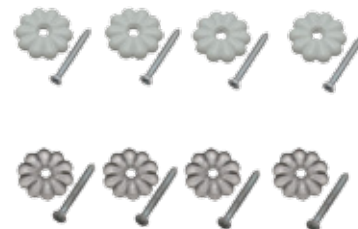
Part #	Ctn Qty	Mstr Ctn	Ctn Wgt	Finish
012-PTWB-8 x 3	2M			Zinc
012-PTW1000-8 x 3/4	1M	10M		Zinc
012-PTW1000-8 x 1	1M	10M		Zinc
012-PTW1000-8 x 1-1/4	1M	10M		Zinc
012-PTW1000-8 x 1-1/2	1M	10M		Zinc
012-PTW500-8 x 3/4	500	5M	22	Zinc
012-PTW500-8 x 1	500	5M	28	Zinc
012-PTW500-8 x 1-1/2	500	5M	37	Zinc
012-PTW500-8 x 2	500	5M	46	Zinc
012-PTW500-8 x 3	500	5M	64	Zinc
012-PTW100-8 x 3/4	100	1M	5	Zinc
012-PTW100-8 x 1	100	1M	6	Zinc/White
012-PTW100-8 x 1-1/2	100	1M	8	Zinc
012-PTW100-8 x 2	100	1M	10	Zinc
012-PTW100-8 x 3	100	1M	13	Zinc

Ordering Painted Screws (may fall under special order):
Stocking colors: (W) Polar White, (BL) Black, (BR) Brown,
(CO) Colonial White, (BZ) Bronze.
To indicate color, insert color code into part # blank.



Rosettes & Screws

Part #	Carton Qty	Master Ctn
012-RC50 (Rosette/Clear)	50	500
012-RW50 (Rosette/White)	50	500
012-RC500 (Rosette/Clear)	500	5M
012-RC200 (Rosette/Clear)	200	2M
012-RW500 (Rosette/White)	500	5M
012-RW200 (Rosette/White)	200	2M
012-RTC500 (Screw/Zinc)	500	5M
012-RTW500 (Screw/White)	500	5M
012-RTCR100 (Rosette & Screw-CL)	100	1M
012-RTWR100 (Rosette & Screw-WH)	100	1M
012-RTWR200 (Rosette & Screw-WH)	200	2M



Screws

Unslotted Hex Washer Head - Aluminum

Part #	Carton Quantity	Master Carton
012-ALU400 8 x 1-1/4	400	4M
012-ALU50 8 x 3/4	50	500
012-ALU50 8 x 1-1/4	50	500



Oval Head Phillips Screws - Bronze

Part #	Ctn Qty	Mstr Ctn	Ctn Wgt	Finish
012-PHBZB 6 x 5/8	4M			Bronze
012-PHBZ500 6 x 5/8	500			Bronze
012-PHBZ100 6 x 5/8	100			Bronze



Oval Head Phillips Screws

Rumble Buttons

Part #	Ctn Qty	Mstr Ctn	Ctn Wgt
012-RBB 10 x 1-1/8	2M		
012-RB500 10 x 1-1/8	500	5M	
012-RB250 10x 1-1/8	250	2.5M	
012-RB100 10 x 1-1/8	100	1M	
012-RB50 10x 1-1/8	50	500	

Self Taping Cargo Screw - Double Square Drive

Part #	Carton Quantity	Master Carton
012-CAR1000 11 x 1	1M	7M
012-CAR1000 11 x 3/4	1M	7M



Specialty Screws

Part #	Ctn Qty	Mstr Ctn	Ctn Wgt	Finish
Phillips Screw - Flat Head				
012-FPH50AB 6 x 5/8	50			Ant. Brass

Deck Screws

012-GALV 8 x 2-1/2	1.5M
--------------------	------

Hex Head Lag Screws with Washers

012-LW25 3/8 x 4	25	250
012-LW25 3/8 x 5	25	250
012-LW25 3/8 x 6	25	250
012-LW25 3/8 x 7	25	250

Hex Head Lag Screws - Raw

012-LB 3/8 x 4	600
012-LB 3/8 x 5	300
012-LB 3/8 x 6	300
012-LB 3/8 x 7	200
012-LB 3/8 x 8	200
012-LB 3/8 x 9	200
012-LB 3/8 x 10	200

Flat Washers (3/8") - Zinc

012-Washers-Bulk	50#	
012-Washers	50	500

Flat Washers (2") - Zinc

012-Washers 2"	50	500
----------------	----	-----



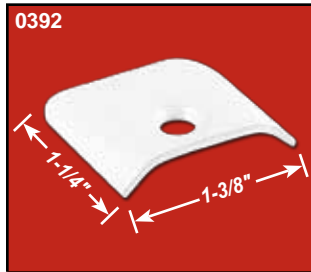
Flat Washers



Each extrusion individually sleeved. 5 pieces shipped in tube (End Cap is 10/ctn).

Aluminum Extrusions

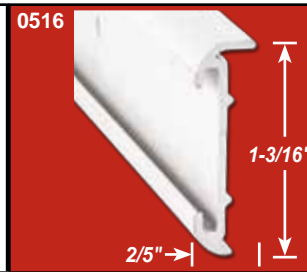
End Cap



021-39201
021-39202
021-39203
021-39204

Polar White
Black
Mill
Colonial White

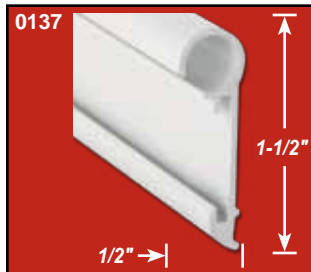
Short Lip Insert



021-51601-8
021-51601-16
021-51602-8
021-51602-16
021-51603-8
021-51603-16

Polar White- 8'
Polar White- 16'
Black- 8'
Black- 16'
Mill- 8'
Mill- 16'

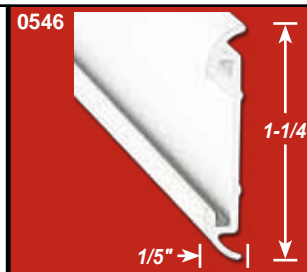
Inverted Insert Awning Rail



021-13701-8
021-13701-16
021-13702-8
021-13702-16

Polar White 8'
Polar White 16'
Black - 8'
Black - 16'

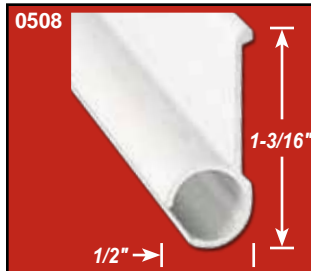
Flat Trim w/ Insert



021-54601-8
021-54601-16
021-54602-8
021-54602-16
021-54603-8
021-54603-16

Polar White- 8'
Polar White- 16'
Black- 8'
Black- 16'
Mill- 8'
Mill- 16'

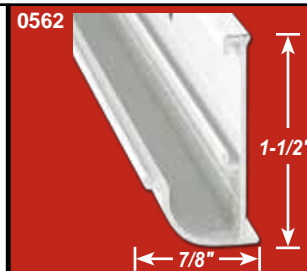
Standard Awning Rail



021-50801-8
021-50801-16
021-50802-8
021-50802-16
021-50803-8
021-50803-16
021-50804-8
021-50804-16

Polar White - 8'
Polar White - 16'
Black - 8'
Black - 16'
Mill - 8'
Mill - 16'
Colonial White - 8'
Colonial White - 16'

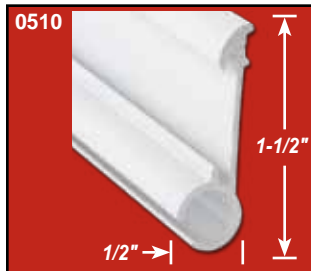
Insert Gutter Rail



021-56201-8
021-56201-16
021-56202-8
021-56202-16
021-56203-8
021-56203-16

Polar White- 8'
Polar White- 16'
Black- 8'
Black- 16'
Mill- 8'
Mill- 16'

Insert Awning Rail



021-51001-8
021-51001-16
021-51002-8
021-51002-16
021-51003-8
021-51003-16
021-51004-8
021-51004-16

Polar White - 8'
Polar White - 16'
Black - 8'
Black - 16'
Mill - 8'
Mill - 16'
Colonial White - 8'
Colonial White - 16'

Insert Gutter/Awning Rail



021-56301-8
021-56301-16
021-56302-8
021-56302-16
021-56303-8
021-56303-16
021-56304-8
021-56304-16

Polar White - 8'
Polar White - 16'
Black- 8'
Black- 16'
Mill- 8'
Mill- 16'
Colonial White - 8'
Colonial White - 16'

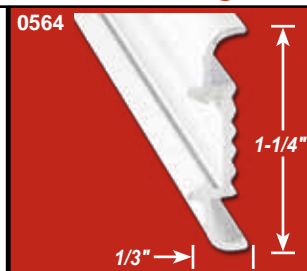
Non Insert Roof Rim



021-51101-8
021-51101-16
021-51102-6
021-51102-12
021-51103-8
021-51103-16

Polar White - 8'
Polar White - 16'
Black - 6'
Black - 12'
Mill - 8'
Mill - 16'

Insert Molding Trim



021-56401-8
021-56401-16
021-56402-8
021-56402-16
021-56403-8
021-56403-16

Polar White- 8'
Polar White - 16'
Black- 8'
Black- 16'
Mill- 8'
Mill- 16'

Aluminum Extrusions

Each extrusion individually sleeved. 5 pieces shipped in tube.

Insert Roof Edge

	0574	021-57401-8 021-57401-16 021-57402-8 021-57402-16 021-57403-8 021-57403-16 021-57404-8 021-57404-16	Polar White- 8' Polar White- 16' Black- 8' Black- 16' Mill- 8' Mill- 16' Colonial White- 8' Colonial White- 16'
--	------	--	--

Short Leg Non Insert Trim

	0860	021-86001-8 021-86001-16 021-86002-8 021-86002-16 021-86003-8 021-86003-16 021-86004-8 021-86004-16	Polar White- 8' Polar White- 16' Black- 8' Black- 16' Mill- 8' Mill- 16' Colonial White - 8' Colonial White - 16'
--	------	--	--

Seam Binder

	0598	021-59803-14	Mill- 14'
--	------	--------------	-----------

Long Leg Non Insert Trim

	0861	021-86101-8 021-86101-16 021-86102-8 021-86102-16 021-86103-8 021-86103-16	Polar White- 8' Polar White- 16' Black- 8' Black- 16' Mill- 8' Mill- 16'
--	------	---	---

Insert Corner Molding

	0850	021-85001-8 021-85001-16 021-85002-8 021-85002-16 021-85003-8 021-85003-16 021-85004-8 021-85004-16	Polar White- 8' Polar White- 16' Black- 8' Black- 16' Mill- 8' Mill- 16' Colonial White - 8' Colonial White - 16'
--	------	--	--

Non Insert Flat Trim

	0872	021-87201-8 021-87201-16 021-87202-8 021-87202-16 021-87203-8 021-87203-16	Polar White- 8' Polar White- 16' Black- 8' Black- 16' Mill- 8' Mill- 16'
--	------	---	---

Long Leg Insert Corner Molding

	0852	021-85201-8 021-85201-16 021-85202-8 021-85202-16 021-85203-8 021-85203-16	Polar White- 8' Polar White- 16' Black- 8' Black- 16' Mill- 8' Mill- 16'
--	------	---	---

Drip Rail

	501	021-50101-8 021-50101-16 021-50102-8 021-50102-16 021-50103-8 021-50103-16	Polar White - 8' Polar White - 16' Black - 8' Black - 16' Mill - 8' Mill - 16'
--	-----	---	---



2018
CATALOG



RV PARTS
& ACCESSORIES

Innovation Made Simple

For over 35 years Marshall Excelsior Company has been a progressive manufacturer of top quality and competitively priced LPG & NH3 equipment that is leading the industry in innovation and low emission products. We offer a full range of products that support the LPG & NH3 Bulk Plant, Transport, Delivery/Dispensing, and Domestic applications. As our product line continues to grow, we are striving to improve product functionality while taking the industry standards to a higher level of quality and performance without adding excessive cost. While following along this path, our engineering staff exercises a heavy reliance on the input from our customers throughout any new product design phase. It has been through these theories and approaches that we have been able to carve out our niche in an industry where safety and performance must work hand-in-hand. Our goal is to create the safest equipment solutions for everyday operations while allowing the largest amount of product to be transferred, dispensed, or otherwise used, resulting in an overall savings to the customer.

In addition to our company philosophy for new product development, you will find our approach to daily operations equally unique. In a time where materials, fuels, and other manufacturing costs are on the rise, we have not only remained competitive, but one of the industry leaders in on-time deliveries and short lead-times. The reason is simple; we not only manufacture our products effectively, but carry one of the most extensive on-hand inventories available in the industry. This allows our distributors to react quickly without having an excessive amount of stock on hand.

Put this together with our proactive, responsive sales and customer service staff and you have a winning combination.

As one of the industry leaders in responsiveness it is essential for our organization to be able to react in a rapid fashion, hence our fully integrated manufacturing and purchasing process. Our capabilities in manufacturing range from high volume to custom made product. Both of which are supported by our wide variety of manufacturing equipment, highly skilled personnel, and dedicated purchasing staff. Combine these attributes with our top notch ISO9001 quality system and you have a combination that easily rivals that of our nearest competition.

Over the course of time Marshall Excelsior Company has become a name that our customers can rely on not only for high quality products and services, but as a partner in building their business. Together, with our commitment to the industries served and our eagerness to improve and expand our product-line our customers routinely find the opportunity to promote our organization. It is through this personal touch that our family owned and operated business has become the organization that it is today. We are confident that as our company continues to develop and mature in our industries, Marshall Excelsior Company will become a brand of choice.



ISO
Registered Firm
9001



PROPANE
EXCEPTIONAL ENERGY™



NPGA
NATIONAL PROPANE GAS ASSOCIATION
MEMBER

kiwa
Certified



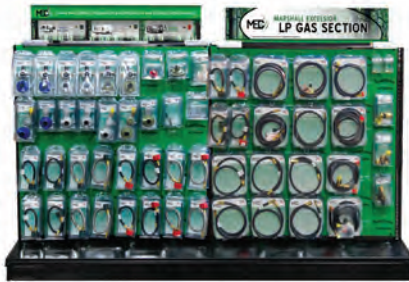
NFPA
MEMBER

Michigan
PROPANE GAS ASSOCIATION

PROPANE GAS ASSOCIATION OF CANADA

PMPA
Precision Machined Products Association

Table of Contents



Display Plan-O-Grams.....2-5



LP Gas Regulators

Automatic Changeover.....6-7
 Integral Two Stage.....8-9
 Single Stage.....10
 High Pressure11-12
 Regulator Accessories.....13



Hoses and Pigtails

Stainless Steel Braided Pigtails.....13
 Thermoplastic Pigtails and Hoses.....14
 Thermoplastic Hoses.....15



Camping Elbows, Tees & Fittings

Camping Appliance Fittings.....17
 Camping Tees, Elbows & Assemblies.....16-18



Kits

Camping Appliance Kits20
 RV Tank Kit.....15
 Low Pressure Test Blocks, Kits & Accessories....21
 Quick Disconnect Hose Assemblies.....19

Fittings



Flare Fittings.....27-28
 High Pressure Gas Connections.....30
 Hose Barbs.....29
 Last Chance Adapters.....26
 Pipe Thread Adapters.....24
 POL Fittings.....23-24
 RV Bulkhead & Adapter.....22
 Type I (QCC) Connectors.....22
 Type I (QCC) Installation Adapters.....26
 Quick Dissconnect Fittings.....19



Accessories

Ferrules & Menders.....30
 Leak Detector.....31
 POL Caps & Plugs.....25
 POL Thread Clean Out Tool.....25
 Safety Locks.....31



Water Regulators

Water Regulators.....24



LP GAS SECTION

Offering the most POPULAR, TOP QUALITY fittings, hoses & Excelsa-Flo regulators

ME-POG-4-E



*Includes backdrop, header, clips and re-order cards

PARTS INCLUDED:

<u>REGULATORS</u>	<u>QTY</u>
MEGR-253P	4
MEGR-291P	2
MEGR-295P	2
MEGR-298P	2
MEGR-230P	2

<u>HOSES</u>	<u>QTY</u>
MER425-15P	4
MER425-18P	4
MER426-15P	4
MER426-20P	4

<u>Q.D. HOSES</u>	<u>QTY</u>
MER14TCQD-72P	2
MER14TCQD-144P	2

<u>ADAPTERS</u>	<u>QTY</u>
ME475P	2
ME318P	2
ME1690P	2
ME1654P	2
ME487P	2
ME488P	2
ME492P	2
ME480P	2
ME481P	2

<u>KITS</u>	<u>QTY</u>
MER470	1
MER471	1
MER473	1

<u>TEES & ELBOWS</u>	<u>QTY</u>
ME412P	2
ME413P	2
ME415P	2
ME418P	2
ME420P	2
ME422P	2
ME423P	2
ME425P	2

Marshall Excelsior Company offers a wide variety of Plan-O-Gram options including Excela-Flo High Capacity, Low Capacity or Standard regulators which can be paired with high pressure, low pressure or standard hoses.



ME-POG-4A-E



*Includes backdrop, header, clips and re-order cards

PARTS INCLUDED:

<u>REGULATORS</u>	<u>QTY</u>	<u>HOSES</u>	<u>QTY</u>	<u>Q.D HOSES</u>	<u>QTY</u>
MEGR-253P	2	MER425-12P	2	MER14TCQD-72P	1
MEGR-253HP	2	MER425-15P	4	MER14TCQD-144P	1
MEGR-291P	2	MER425H-15P	2		
MEGR-291HP	2	MER425-18P	2		
MEGR-295P	2	MER425-24P	2		
MEGR-298P	2	MER426-15P	2		
MEGR-230P	2	MER426-20P	4		
MEGR-130-30P	2	MER426H-20P	2		



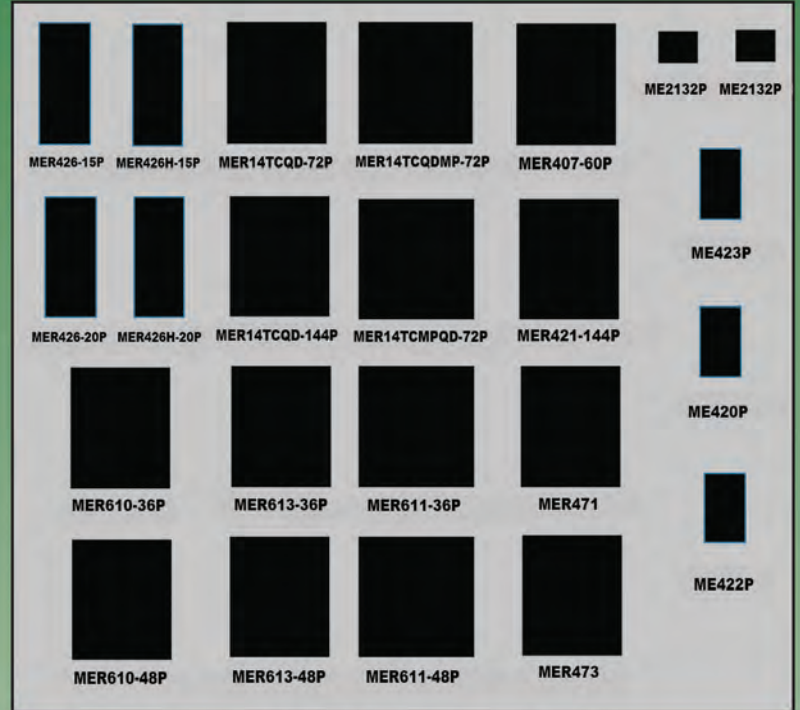
LP GAS SECTION

Offering the most POPULAR, TOP QUALITY fittings, hoses & Excela-Flo regulators

ME-POG-4-H



*Includes backdrop, header, clips and re-order cards



PARTS INCLUDED:		<u>HOSES</u>		<u>HOSES</u>	
<u>FITTINGS</u>	<u>QTY</u>		<u>QTY</u>		<u>QTY</u>
ME2132P (2PK)	4	MER407-60P	2	MER611-36P	2
ME420P	2	MER421-144P	2	MER611-48P	2
ME422P	2	MER426-15P	2	MER613-36P	2
ME423P	2	MER426H-15P	2	MER613-48P	2
		MER426-20P	2		
		MER426H-20P	2	<u>Q.D. HOSES</u>	<u>QTY</u>
<u>KITS</u>	<u>QTY</u>	MER610-36P	2	MER14TCQD-72P	2
MER471	1	MER610-48P	2	MER14TCQD-144P	2
MER473	1			MER14TCMPQD-72P	2
				MER14TCQDMP-72P	2

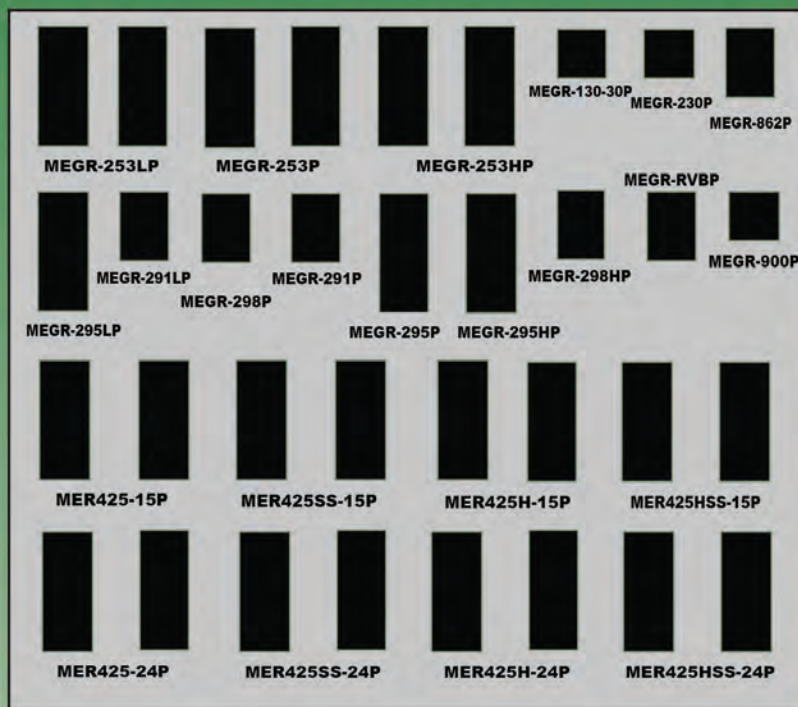
Marshall Excelsior Company offers a wide variety of Plan-O-Gram options including EXCELA-FLO High Capacity, Low Capacity or Standard regulators which can be paired with high pressure, low pressure or standard hoses.



ME-POG-4-M



*Includes backdrop, header, clips and re-order cards




PARTS INCLUDED:

<u>REGULATORS</u>	<u>QTY</u>	<u>REGULATORS</u>	<u>QTY</u>	<u>HOSES</u>	<u>QTY</u>
MEGR-253LP	4	MEGR-298P	2	MER425-15P	4
MEGR-253P	4	MEGR-298HP	2	MER425H-15P	4
MEGR-253HP	4	MEGR-130-30P	2	MER425-24P	4
MEGR-291LP	2	MEGR-230P	2	MER425H-24P	4
MEGR-291P	2			MER425SS-15P	4
MEGR-295LP	2			MER425HSS-15P	4
MEGR-295P	2			MER425SS-24P	4
MEGR-295HP	2			MER425HSS-24P	4
		<u>REG. COVERS</u>	<u>QTY</u>		
		MEGR-RVBP	2		
		MEGR-900P	2		
		MEGR-862P	2		

EXCELA-FLO Automatic Changeover Regulator

The Model MEGR-253 Automatic Changeover Regulator automatically redirects LP gas vapor flow from an empty service cylinder to a reserve cylinder, without interruption of service. It features an easy to read green indicator which changes to red when the service cylinder needs to be refilled. The MEGR-253 and MEGR-253H Series regulators meet UL, RVIA and NFPA requirements.

SPECIFICATIONS:

- Type:** Two Stage
- Max Inlet Pressure:** 250 PSI
- Inlet Connection:** 1/4" Female Inverted Flare
- Outlet Connection:** 3/8" FNPT
- Exterior Finish:** Raw Zinc / Powder Coat
- Diaphragm:** Fabric Reinforced Molded with O-Ring Bonnet / Body Seal
- Diaphragm Type:** Internal Relief - Spring Loaded
- Bonnet/ Body Material:** Die Cast Zinc
- Listings:**  LISTED / UL 144
- Mounting Holes:** 3-1/2" On Center
- Pressure Taps:** 1/8" FNPT Plugged



EXCELA-FLO High Capacity Automatic Changeover Regulator and High Flow Pigtail Kit	
Part No.	Description
MEGR-253HP-PT15	1 MEGR-253H and 2 MER425H-15 hoses assembled in a clamshell
MEGR-253HP-PT24	1 MEGR-253H and 2 MER425H-24 hoses assembled in a clamshell



MEGR-253
Automatic Changeover
Regulator



MEGR-253H
High Capacity
Automatic Changeover
Regulator



MEGR-253L
Low Capacity
Automatic Changeover
Regulator



Part No.	Packaged Part No.*	Description	Primary Cylinder BTU/Hr.**	Reserve Cylinder BTU/Hr.**	Covers	Mounting Bracket
MEGR-253	MEGR-253P	2 Stage Auto Changeover Regulator 1/4" Inv. Flare x 3/8" FNPT	225,000	150,000	MEGR-862	MEGR-900 or MEGR-RVB
MEGR-253H	MEGR-253HP	High Capacity 2 Stage Auto Changeover Regulator 1/4" Inv. Flare x 3/8" FNPT	350,000	200,000		
MEGR-253L	MEGR-253LP	Low Capacity 2 Stage Auto Changeover Regulator 1/4" Inv. Flare x 3/8" FNPT	175,000	100,000		

* Packaged option consists of a plastic clamshell with barcode

** BTU/H Capacity @ 20% Droop

NOTE: MEGR-253 and MEGR-253H set point: 100 PSIG Inlet @ 11" WC outlet Flowing @ 30 SCFH Air



Excelsior-Flo Automatic Changeover Regulator

!WARNING!

Failure to follow these instructions or to properly install and maintain this equipment could result in an explosion and/or fire causing property damage and personal injury or death.

Marshall Excelsior equipment must be installed, operated, and maintained in accordance with federal, state, and local codes and MEC instructions. The installation in most states must also comply with NFPA 58 and NFPA 54 standards.

Only personnel trained in the proper procedures, codes, standards, and regulations of the LP-Gas industry should install and service this equipment.

!DANGER!

Black changeover lever must be rotated as far as possible towards reserve cylinder before disconnecting empty cylinder.

Failure to rotate changeover lever and / or disconnection of hose while indicator is red will result in a propane gas leak which, if ignited, may cause property damage, bodily injury, or death.

Description

The MEC Automatic Changeover Regulator automatically redirects LP gas vapor flow from an empty designated service cylinder to a reserve cylinder, without interruption of service. It is ideal for use with Recreational Vehicles (RV's), small cottages and cabins.

!CAUTION!

The MEC regulators are to be installed or adjusted by qualified LP Gas or RV service personnel only. Contact a qualified LP Gas or RV dealer for installation.

Operation

Ensure that the regulator has been mounted with the vent pointing downward so that water or debris cannot gather in the regulator. Place one of the two cylinders in "primary" by switching the black changeover lever in the direction of the selected cylinder. The arrow on the lever will denote the "primary" side. Open both cylinder valves slowly. The indicator on the top of the regulator will turn green.

The "primary" side of the regulator will continue to supply gas as long as sufficient gas is present in the "primary" cylinder. When pressure in the cylinder drops below a designated pressure, the "reserve" side will open and continue to primary gas to the regulator. At the time that the "primary" cylinder becomes exhausted, the indicator on the changeover lever will turn partial red and green, indicating a cylinder change can be made.

Cylinder Exchange

Prior to removing the empty cylinder, position the black changeover lever so that it points to the alternate cylinder that is



FIGURE 1: MEGR-253 AND MEGR-253H

now supplying the regulator. Close the valve on the empty cylinder and remove. After the empty cylinder is refilled and reconnected, slowly open the cylinder valve. The new cylinder is now the reserve cylinder. The indicator at the top of the regulator will turn green.

!WARNING!

Never check for leaks with an open flame. Do not check for leaks using ammoniated or chlorinated household type detergents. Only use a solution of water and liquid soap to check for leaks. These can cause cracks to form on the metal tubing and brass fittings. If the leak cannot be located, take the unit to a LP Gas service representative.

Specifications:

BTU Capacity (propane)

SPECIFICATIONS				
Part Number	Inlet Pressure	Outlet Setting Pressure	Primary Capacity & BTU/HR	Reserve Capacity & BTU/HR
MEGR-253	100 PSI	11" W.C.	225,00*	150,000
MEGR-253H	100 PSI	11" W.C.	350,000*	200,000

Inlet: 1/4" NPT

Outlet: 3/8" NPT

UL Listed to UL 144

* Based on 100 PSIG inlet pressure and 20% droop at manufacturer's set point.

Excela-Flo Compact Integral Two Stage Regulators



MEGR-291
Compact Regulator
with Drip Lip Vent



MEGR-291H
High Capacity Regulator
with Drip Lip Vent



MEGR-298L
Low Capacity MEGR-291
with Side Vent



MEGR-295
MEGR-291 with Side Vent & Hard-Nose Excess Flow POL



SPECIFICATIONS

- Type:** Two Stage
- Max. Inlet Pressure:** 250 PSI
- Inlet Connection:** 1/4" FNPT
- Outlet Connection:** 3/8" FNPT
- Exterior Finish:** Raw Zinc / Powder Coated
- Diaphragm:** Fabric Reinforced Molded with O-Ring Bonnet / Body Seal
- Diaphragm Type:** Internal Relief - Spring Loaded
- Bonnet/ Body Material:** Die Cast Zinc
- Listings:** LISTED / UL 144
- Mounting Holes:** 3-1/2" On Center
- Pressure Taps:** 1/8" FNPT Plugged

The MEC **MEGR-291 Series** two-stage regulators are approved for use in nearly all portable applications and outdoor cooking appliances utilizing low pressure. They feature all zinc body construction, high and low 1/8" NPT pressure tap ports, an integral second stage drip lip vent and optional standard or 90 degree vent locations.

The **MEGR-291H Series** High Capacity Compact Integral Two Stage Regulator is ideally suited for high demand RV, outdoor appliances, cabins, seasonal homes, gas fire places, water heaters, ranges or other moderate to low demand domestic home installations. (Green bonnet identifies high capacity model).

The **MEGR-291L Series** two-stage regulators are specifically intended for applications with low BTU demands but still require two stage regulation. The Model MEGR-291L is ideally suited for RV, manufactured homes, cabins or other applications with one appliance or low BTU multiple appliance applications while still permitting maximum range of output pressure adjustment.

The MEGR-291 and MEGR-291H Series regulators meet UL, RVIA and NFPA requirements.

Part No.	Packaged Part No.*	Description	BTU/H LPG @ 30 PSI Inlet**	Accessories
MEGR-291	MEGR-291P	Compact 2 Stage Regulator 1/4" FNPT Inlet x 3/8" FNPT Outlet	175,000	MEGR-900 (Z-Bracket)
MEGR-298	MEGR-298P	Compact 2 Stage Regulator 1/4" FNPT Inlet x 3/8" FNPT Outlet - 90° Vent		
MEGR-295	MEGR-295P	Compact 2 Stage Regulator HN Excess Flow POL Inlet x 3/8" FNPT Outlet - 90° Vent	225,000	MEGR-861 (1st Stage Cover)
MEGR-291H	MEGR-291HP	Compact 2 Stage High Capacity Regulator 1/4" FNPT Inlet x 3/8" FNPT Outlet		
MEGR-298H	MEGR-298HP	Compact 2 Stage High Capacity Regulator 1/4" FNPT Inlet x 3/8" FNPT Outlet - 90° Vent		
MEGR-295H	MEGR-295HP	Compact 2 Stage High Capacity Regulator HN Excess Flow POL Inlet x 3/8" FNPT Outlet - 90° Vent	120,000	MEGR-862 (2nd Stage Cover)
MEGR-291L	MEGR-291LP	Compact 2 Stage Low Capacity Regulator 1/4" FNPT Inlet x 3/8" FNPT Outlet		
MEGR-298L	MEGR-298LP	Compact 2 Stage Low Capacity Regulator 1/4" FNPT Inlet x 3/8" FNPT Outlet - 90° Vent		
MEGR-295L	MEGR-295LP	Compact 2 Stage Low Capacity Regulator HN Excess Flow POL Inlet x 3/8" FNPT Outlet - 90° Vent		

* Packaged option consists of a plastic clamshell with barcode

** BTU/H Capacity @ 20% Droop

Note: MEGR-291 and MEGR-291H set point: 100 PSIG Inlet @ 11" WC Outlet Flowing @ 30 SCFH Air



EXCELA-FLO Compact Integral Two Stage Regulators

!WARNING!

Failure to follow these instructions or to properly install and maintain this equipment could result in an explosion and/or fire causing property damage and personal injury or death.

Marshall Excelsior equipment must be installed, operated, and maintained in accordance with federal, state, and local codes and MEC instructions. The installation in most states must also comply with NFPA 58 or ANSI K61.1 standards.

Only personnel trained in the proper procedures, codes, standards, and regulations of the LP-Gas or anhydrous ammonia industries should install and service this equipment.

The MEC Two-Stage Regulator meets RVIA requirements for use on recreational vehicles.

!CAUTION!

The MEC regulators are to be installed or adjusted by qualified LP Gas or RV service personnel only. Contact a qualified LP Gas or RV dealer for installation.

Description

The MEC Two-Stage regulator combines both a high pressure first stage and a low pressure second stage regulator into a single unit. Ideally designed for RV applications to ensure a smooth and continuous flow of gas to all applications.

- LP Gas Regulators must always be installed with the vent facing downwards. Ensure the protective cover is kept in place to minimize vent blockage.
- Do not use this regulator on LP systems equipped with ASME tanks that allow liquid or debris to enter the vapor system

!WARNING!

Never check for leaks with an open flame. Do not check for leaks using ammoniated or chlorinated household type detergents. These can cause cracks to form on the metal tubing and brass fittings. If the leak cannot be located, take the unit to a LP Gas service representative.



Figure 1: MEGR-291, MEGR-291H, MEGR-300

SPECIFICATIONS			
Part Number	Inlet Pressure	Outlet Pressure	Capacity & BTU/HR
MEGR-291	30 PSI	9" W.C.	175,000*
	100 PSI		195,000*
MEGR-291H	30 PSI	9" W.C.	225,000*
	100 PSI		285,000*
MEGR-300	30 PSI	1.6 PSI	225,000**
	100 PSI		322,000**

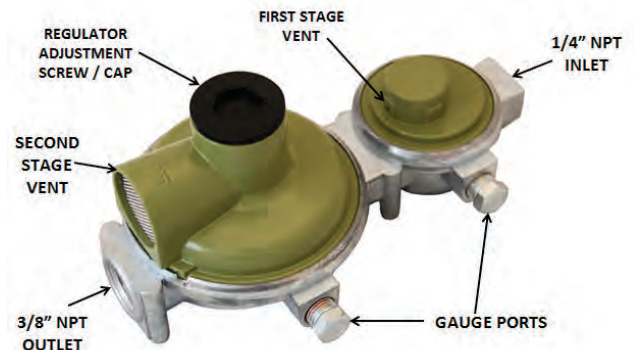
UL Listed to UL 144

Inlet: 1/4" NPT

Outlet: 3/8" NPT

* Manufacturer's set point = 100 PSIG Inlet and 11" W.C. outlet flowing at 30 SCFH air.

** Manufacturer's set point = 100 PSIG Inlet and 2 PSI outlet flowing at 30 SCFH air.




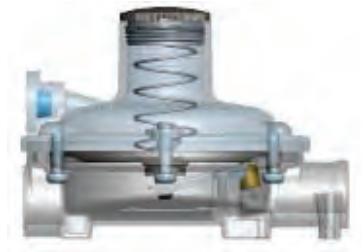
EXCELA-FLO Low Pressure Single Stage Regulators

The MEGR-230 single-stage regulators are approved for use in small portable applications and outdoor cooking appliances utilizing low pressure.

NOTE: Single-stage regulators are not approved for RV use.

SPECIFICATIONS

- Type:** Single Stage
- Orifice Diameter:** 0.059 Diameter
- BTU Capacity:** 140,000 BTU (based on 25 PSI inlet @ 9 W.C. delivery pressure)
- Max. Inlet Pressure:** 250 PSI
- Inlet Connection:** 1/4" FNPT
- Outlet Connection:** 3/8" FNPT
- Exterior Finish:** Green Wet Coat
- Diaphragm Type:** Molded with O-Ring Bonnet / Body Seal
- Bonnet/Body Material:** Die Cast Aluminum
- Listings:**  LISTED / UL 144
- Mounting Holes:** 3-1/2" On Center



Part No.	Description	Vent Orientation
MEGR-230*	Single Stage Regulator - 1/4" FNPT Inlet X 3/8" FNPT Outlet	Over Outlet
MEGR-230-90	Single Stage Regulator - 1/4" FNPT Inlet X 3/8" FNPT Outlet - 90° Vent	90°
MEGR-230-1618	Single Stage Regulator - Black F. QCC Inlet x 3/8" FNPT Outlet - 90° Vent	90°
MEGR-231	Single Stage Regulator - Hardnose FF POL Inlet x 3/8" FNPT Outlet - 90° Vent	90°
MEGR-151	Singe Stage Regulator 90 Degree - 1/4" FNPT Inlet x 3/8" FNPT Outlet	N/A
MEGR-152	Singe Stage Regulator 90 Degree - QCC I. Black Inlet x 3/8" FNPT Outlet	N/A

* Packaged option consists of a plastic clamshell with barcode: i.e. MEGR-230P

Excelsa-Flo High Pressure LP Gas Regulators

The MEGR-130 series fixed high pressure single stage regulators are designed to provide an economical solution for pounds to pounds service applications. The MEGR-130 can be used to regulate air as well as LP gas. Regulators must be installed in compliance with federal, state or local codes or laws in accordance with NFPA 58.

The MEGR-350 is a single stage, adjustable high pressure regulator. The body and bonnet of both the fixed and adjustable regulators are precisely machined and feature a crimped design and fabric reinforced rubber diaphragm creating a positive seal for leak-free performance.

Excelsa-Flo

SPECIFICATIONS

- Type:** Adjustable or Fixed / PSI
- Max. Inlet Pressure:** 250 PSIG (17,2 bar)
- Inlet Connection:** 1/4" FNPT
- Outlet Connection:** 1/4" FNPT
- Orifice Diameter:** 0.0625"
- Exterior Finish:** Red Anodized
- Diaphragm:** Fabric Reinforced Buna N
- Bonnet/Body Material:** Die Cast Zinc
- BTU / H Capacity:** 1,200,000 BTU/H @ 40 PSI
- Listings:** UL LISTED / UL 144



MEGR-130-30
Pre-Set at 30 PSIG



MEGR-130-30/ MEGR-130-30A

Designed for high pressure RV applications. This regulator is ideal for 5th wheel split cylinder applications



MEGR-350
Adjustable 0-10 PSIG



Part No.	Description
MEGR-130-10	Compact High Pressure Fixed Reg 10 PSI - 1/4" FNPT Inlet/Outlet
MEGR-130-20	Compact High Pressure Fixed Reg 20 PSI - 1/4" FNPT Inlet/Outlet
MEGR-130-30*	Compact High Pressure Fixed Reg 30 PSI - 1/4" FNPT Inlet/Outlet
MEGR-350	Compact High Pressure Adjustable Reg 0-10 PSI - 1/4" FNPT Inlet/Outlet
MEGR-350-30	Compact High Pressure Adjustable Reg 0-30 PSI - 1/4" FNPT Inlet/Outlet
MEGR-130-30A	Compact High Pressure Fixed Reg 30 PSI - 1/4" Inverted Flare x 3/8" M. Flare

* Packaged option consists of a plastic clamshell with barcode: i.e. MEGR-130-30P



EXCELA-FLO High Pressure Regulators

The MEGR-6120 Series are UL listed high-pressure regulators that meet a variety of applications for liquid or vapor service. The compact body design makes these regulators particularly useful in installations with space limitations. The basic MEGR-6120 Series regulators come equipped with a handwheel adjustment. The non-adjustable ME6121 Series provides a tamper-resistant spring case and a 30 PSI set point.

The MEGR-6120 & MEGR-6121 Series are UL listed as high pressure, non-relief regulators. Both MEGR-6120 & MEGR-6121 Series regulators contain brass materials that are **not** compatible with anhydrous ammonia service.

SPECIFICATIONS

- Type: Adjustable or Fixed / PSI
- Max. Inlet Pressure: 250 PSI (17, 2 bar)
- Inlet Connection: 1/4" FNPT
- Outlet Connection: 1/4" FNPT
- Gauge Port: 1/4" FNPT
- Exterior Finish: Red Wet Coat
- Diaphragm: Fabric Reinforced Buna N
- Body / Bonnet Material: Die Cast Aluminum
- Liquid Capacity: 3-5 GPH
- Listings: UL LISTED / UL 144



MEGR-6120 Series



MEGR-6121 Series



Adjustable Configurations	
Part No.	Description
MEGR-6120-30	High Pressure Adjustable Reg 1-30 PSI - 1/4" FNPT Inlet/Outlet



CAPACITIES: BTU/H LPG (VAPOR)		
Outlet Set Point	Inlet Pressure	BTU / HR
15 PSI	50 PSI	850,000
15 PSI	100 PSI	1,700,000
15 PSI	150 PSI	2,500,000
20 PSI	50 PSI	900,000
20 PSI	100 PSI	1,800,000
40 PSI	100 PSI	1,500,000
40 PSI	150 PSI	2,000,000
50 PSI	100 PSI	1,300,000
50 PSI	150 PSI	1,800,000
50 PSI	200 PSI	2,300,000

*Approximate BTU/H vapor capacities taking 10-20% droop into consideration

Note: Side Outlet Connection Style (Plugged): 1/4" MNPT, pressure gauge (MEJ500 Series) can be installed

Non-Adjustable Configurations	
Part No.	Description
MEGR-6121-30	High Pressure Fixed Reg 30PSI - 1/4" FNPT Inlet/Outlet
MEGR-6121-30A	High Pressure Fixed Reg 30PSI - 1/4" Inverted Flare x 3/8" M. Flare

Excela-Flo Regulator Accessories

Regulator Covers



First Stage Regulator Cover for MEGR-291 and MEGR-300 Series Regulators

MEGR-861



Second Stage Cover for MEGR-253, MEGR-291 & MEGR-300 Series Regulators

*Available packaged - MEGR-862P

MEGR-862

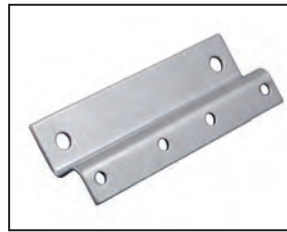
Regulator Brackets



L-Mounting Bracket for MEGR-253 Series Regulators

*Available packaged - MEGR-RVBP

MEGR-RVB

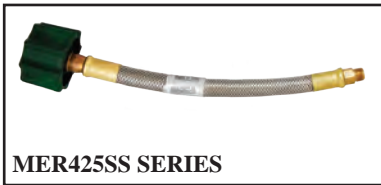


Z-Mounting Bracket for MEGR-253 and MEGR-291 Series Regulators

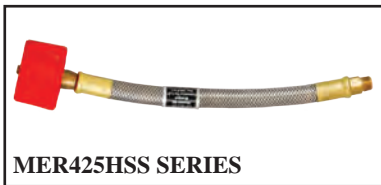
*Available packaged - MEGR-900P

MEGR-900

Excela-Flo Stainless Steel Braided Pigtails



MER425SS SERIES



MER425HSS SERIES

MEC Stainless Steel braided pigtails are for connecting propane cylinders to the propane regulator. The Stainless Steel braid provides added protection to the hose along with the safety features of thermal protection in case of fire and excess flow protection in case of broken gas line. Female QCC, Type I connection x 1/4" inverted male flare.

NOTE: MEC Green Type I Nut for use on RV application ONLY.
(200,000 BTUH)
MEC Red Type I NUT approved for RV applications.
(400,000 BTUH)



Stainless Steel Braided Pigtails

Part No.	Packaged Part No.**	Approximate Length "X"*	Description
MER425SS-"X"	MER425SS-"X"P	15, 24, 36	Standard QCC w/ Braided SS Hose
MER425HSS-"X"	MER425HSS-"X"P	15,24	High Capacity QCC w/ Braided SS Hose

* Replace "X" with the desired hose length i.e. MER425SS-15
** Packaged option consists of a plastic clamshell with barcode



Thermoplastic Hoses - 1/4" Hose I.D.

Part No. 1/4" Hose ID	Packaged Part No.***	Approximate Length "X"	Connection	Connection
MER409-"X"	—	15, 20, 24, 36, 60	Male Hard Nose POL, 7/8" Nut	Male Hard Nose POL, 7/8" Nut
MER428-"X"	—	60, 120	Female QCC, Type I Connection	Male QCC, Type I Connection with Female POL
MER412-"X"	—	20	.9 GPM Excess Flow Male Hard Nose POL, 7/8" Nut	.9 GPM Excess Flow Male Hard Nose POL, 7/8" Nut
MER425-"X" MER425H-"X"*** MER425NL-"X"***	MER425-"X" P MER425H-"X" P ** MER425NL-"X" P **	12, 15, 18, 20, 24, 30, 36, 48, 60	Female QCC, Type I Connection	1/4" Male Inverted Flare
MER427-"X"	—	18, 20	Female QCC, Type I Connection	3/8" Female Flare Swivel
MER403-"X"	—	12, 15, 18, 20, 24, 30, 36, 48, 60, 72, 120, 240	Male Hard Nose POL, 7/8" Nut	1/4" Male Inverted Flare
MER401-"X"	—	12, 15, 18, 20, 24, 30, 36, 48, 60	.9 GPM Excess Flow Male POL, 7/8" Nut	1/4" Male Inverted Flare
MER423-"X"	—	12, 15, 20, 24, 30, 36	.9 GPM Excess Flow Male Soft Nose POL, Plastic Handwheel	1/4" Male Inverted Flare
MER404-"X"	—	15, 18, 20, 24, 36	#60 Orifice Hole Male Soft Nose POL, Plastic Handwheel	1/4" Male Inverted Flare
MER404AR-"X"	—	18, 24, 36	#60 Orifice Hole Male Soft Nose POL, Brass Round Handwheel	1/4" Male Inverted Flare
MER406AR-"X"	—	12, 24, 36, 48, 60	Male Soft Nose POL, Brass Round Handwheel	1/4" MNPT
MER405-"X"	—	12, 15, 18, 20, 24, 30, 36, 48, 60	.9 GPM Excess Flow Male POL, 7/8" Nut	1/4" MNPT
MER414-"X"	—	10, 14, 120	1/4" MNPT	1/4" MNPT
MER422-"X"	—	6, 240	1/4" Female Flare Swivel	1/4" MNPT
MER432-"X"	—	6, 12	1/4" FNPT	1/8" MNPT
MER432SP-"X"	—	12	1/4" FNPT	QD Male Nipple
MER434-"X"	—	36, 50	3/8" Female Flare Swivel	1/4" MNPT
MER429-"X"	—	72, 360	Red F. POL	Male QCC, Type I Connection with Female POL
MER426-"X" MER426H-"X"*** MER426NL-"X"***	MER426-"X" P MER426H-"X" P ** MER426NL-"X" P **	15, 20, 60	Female QCC, Type I Connection	1/4" MNPT
MER410-"X"	—	10, 12, 20, 24, 30, 36, 48, 60, 72, 120, 144, 180	3/8" MNPT	3/8" Female Flare Swivel
MER413-"X"	—	24, 36, 48, 60, 72, 96, 120, 144, 180	3/8" Female Flare Swivel	3/8" Female Flare Swivel
MER408-"X"	—	12, 36, 60, 72, 144, 288	9/16"-18 Female Left Hand Swivel	9/16"-18 Female Left Hand Swivel
MER407-"X"	MER407-60P	24, 36, 48, 60, 72, 120, 144	Male Soft Nose POL, Plastic Handwheel	1"-20 Male Swivel
MER421-"X"	MER421-60P MER421-144P**	24, 48, 60, 72, 144	1"-20 Female Swivel	1"-20 Male Swivel



Male Soft Nose POL, Plastic Handwheel



Male Hard Nose POL, 7/8" Nut



Male Type I (QCC)



Female Type I (QCC), Green Handle



1/4" Inverted Flare



MNPT



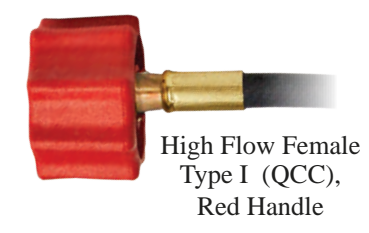
9/16"-18 Female LH



1"-20 Male Swivel



1"-20 Female Swivel



High Flow Female Type I (QCC), Red Handle

* Replace "X" with the desired hose length i.e. MER409-24
 ** MER425H and MER426H Series hoses are "high flow" (i.e. MER425H-15, MER426H-20);
 MER425NL and MER426NL Series hoses are "non-leaching" (i.e. MER425NL-15, MER426NL-20)
 *** Packaged option consists of a plastic clamshell with barcode

Thermoplastic Hoses - 3/8" Hose I.D.

Flexible thermoplastic UL and CGA approved hose. These hoses are rated up to 350 psig working pressure with a 400 pound pull test rating. Each hose comes with two ends and fully crimped brass ferrules.



MNPT



3/8" Female Swivel

Part No. 3/8" Hose ID	Packaged Part No.**	Approximate Lengths "X"*	Connection	Connection
MER610-"X"	MER610-36P, MER610-48P	24, 30, 36, 48, 60, 120, 144, 240	3/8" MNPT	3/8" Female Flare Swivel
MER611-"X"	MER611-36P, MER611-48P	24, 30, 36, 40, 48, 60, 96	1/2" Female Flare Swivel	3/8" MNPT
MER613-"X"	MER613-36P, MER613-48P	12, 18, 24, 30, 36, 48, 60, 72, 84, 108, 120, 144, 180, 240, 300	3/8" Female Flare Swivel	3/8" Female Flare Swivel
<small>* Replace "X" with the desired hose length i.e. MER610-48 ** Packaged option consists of a plastic clamshell with barcode</small>				



WARNING: An excess flow valve will not activate if there is a break or leak downstream of the valve that does not equal or exceed the closing flow of the valve or if the excess flow valve installed exceeds the flow capacity of the system. See the Excess Flow Warning page for more information regarding the use of excess flow devices.

RV Tank Kit for 20 LB & 30 LB Cylinders



These RV tank kits are designed to provide a durable and secure method to properly store / transport small LP gas cylinders primarily on towable recreational vehicles. Meets all RVAA and RVIA requirements.

Part No.	Description	Accessories			
		Support Threaded Rod	Wing Nut	Universal Support Bar	Universal Support Pan
ME-RVTANK-KIT18	Complete Tank Kit for 20 LB. Cylinder	ME-RVTR18	ME-RVWINGNUT	ME-RVBAR	ME-RVPAN
ME-RVTANK-KIT24	Complete Tank Kit for 30 LB. Cylinder	ME-RVTR24			



Camping Tees



ME412



ME413



ME414



ME415



ME416



ME418



ME420P



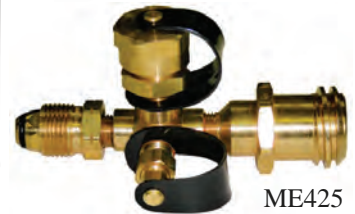
ME424



ME421



ME422



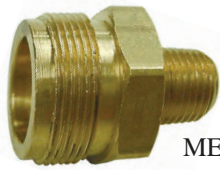
ME425

Part No.	Packaged Part No.	Inlet	Auxiliary Inlet	Outlet	Outlet
ME412	ME412P*	1-5/16" Female Acme	—	1"-20 Male	1"-20 Male
ME413	ME413P*	#60 Male Soft Nose POL with Round Brass Handwheel	—	1"-20 Male	1"-20 Male
ME414	ME414P*	1"-20 Female	—	1"-20 Male	1"-20 Male
ME415	ME415P*	.9 GPM Excess Flow Male Hard Nose POL	—	Female POL	1"-20 Male
ME416	—	.9 GPM Excess Flow Male Hard Nose POL with Plastic Handwheel	—	Female POL	Female POL
ME418	ME418P*	1-5/16" Female Acme	—	1-5/16" Male Acme/Female POL with Quick Closing Poppet	1"-20 Male
ME420	ME420P*	.9 GPM Excess Flow Male Hard Nose POL	1/4" Female Inverted Flare with Check	Female POL	1"-20 Male
ME421	—	.9 GPM Excess Flow Male Hard Nose POL	—	1-5/16" Male Acme/Female POL with Quick Closing Poppet	1"-20 Male
ME422	ME422P*	1-5/16" Female Acme	1/4" Female Inverted Flare	1-5/16" Male Acme/Female POL with Quick Closing Poppet	1"-20 Male
ME424	—	.9 GPM Excess Flow Male Hard Nose POL	1/4" Female Inverted Flare with Check	1-5/16" Male Acme/Female POL with Quick Closing Poppet	1"-20 Male
ME425	ME425P*	.9 GPM Excess Flow Male Soft Nose POL	1/4" Female Inverted Flare with Check	1-5/16" Male Acme/Female POL with Quick Closing Poppet	1"-20 Male

* Packaged option consists of a plastic clamshell with barcode

WARNING: An excess flow valve will not activate if there is a break or leak downstream of the valve that does not equal or exceed the closing flow of the valve or if the excess flow valve installed exceeds the flow capacity of the system. See the Excess Flow Warning page for more information regarding the use of excess flow devices.

Camping Fittings



ME417



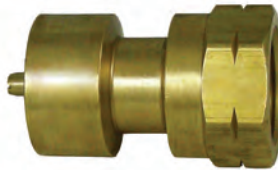
ME483



ME484



ME485



ME487



ME488



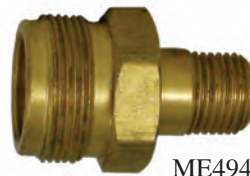
ME491



ME492



ME493



ME494



ME496

Part No.	Packaged Part No.	Inlet	Outlet
ME417	—	1/4" MNPT	1"-20 Male with Check & O-ring
ME483	—	1"-20 Female Cap with Strap	—
ME484	—	1"-20 Female	1/4" Hose Barb
ME485	—	1"-20 Female	1/4" FNPT
ME487	ME487P*	1"-20 Female	Female POL
ME488	ME488P*	1"-20 Female	1/4" MNPT
ME491	—	3/8" Male Flare	1"-20 Male with Check & O-ring
ME492	ME492P*	1/4" FNPT	1"-20 Male - No Check
ME493	—	9/16"-18 Male Left Hand	1"-20 Male with Check & O-ring
ME494	—	9/16"-18 Male Left Hand	1"-20 Male - No Check
ME496	—	1/4" Hose Barb	1"-20 Male Swivel with Valve Stem & O-ring

* Packaged option consists of a plastic clamshell with barcode



ME487P

Camping Elbows & Assemblies



ME423



ME426



ME481P



ME474



ME477



ME475AR



ME475



ME475B



ME497



ME497AR

Part No.	Packaged Part No.	Inlet	Outlet	Outlet
ME423	ME423P*	.9 GPM Excess Flow Male Hard Nose POL	1-5/16" Male Acme/Female POL with Quick Closing Poppet	1"-20 Male
ME426	—	1-5/6" Female Acme	1-5/16" Male Acme	1"-20 Male
ME474	—	1-5/6" Female Acme	1"-20 Male	—
ME475	ME475P*	#60 Male Soft Nose POL with Plastic Handwheel	1"-20 Male	—
ME475AR	—	#60 Male Soft Nose POL with Round Brass Handwheel	1"-20 Male	—
ME475B	—	#60 Male Soft Nose POL	1"-20 Male	—
ME477	—	.9 GPM Excess Flow Male Hard Nose POL with Plastic Handwheel	1"-20 Male	—
ME481	ME481P*	1"-20 Female	1-5/16" Male Acme/Female POL with Quick Closing Poppet	—
ME497	—	Male Soft Nose POL with Plastic Handwheel	1"-20 Male	—
ME497AR	—	Male Soft Nose POL with Round Brass Handwheel	1"-20 Male	—

** Packaged option consists of a plastic clamshell with barcode

WARNING: An excess flow valve will not activate if there is a break or leak downstream of the valve that does not equal or exceed the closing flow of the valve or if the excess flow valve installed exceeds the flow capacity of the system. See the Excess Flow Warning page for more information regarding the use of excess flow devices.



Quick Disconnect Hose Assemblies

The **MER14TCQD** series QD high pressure hose will allow you to hook up to a quick connect valve on an appliance to a LP gas cylinder. For use with low pressure gas appliances (i.e. 14" water column); includes hose of desired length with shut off valve.

The **MER14TCMPQD** series QD high pressure hose will allow you to extent the length of your current QD hose so you can move your LP gas appliance further away from your RV.

The **MER14TCMQD6FS** series QD high pressure hose is designed so you can hook up the new portable grills to your QD on your RV (this is only for the new portable grills with the removable regulator).

The **MER14TCQDMP** series QD high pressure hose comes with a shut off valve and is designed to add length to the QD line on your RV. It will allow you to move your LP gas appliance from 36" to 144" away from your RV.

*** REGULATOR NOT INCLUDED ***



Part No.	Approximate Length "X"	Packaged Part No.**	Connection	Connection
MER14TCQD-"X"	36,48,72,120,144	MER14TCQD-72P MER14TCQD-144P	QD 1/4" FNPT w/cap	1/4" MNPT
MER14TCMPQD-"X"	36,48,60, 72, 120	MER14TCMPQD-72P	1/4" MNPT	QD Male Nipple
MER14TCMQD6FS-"X"	60, 72, 144	—	1/4" QD Nipple	3/8" F. Flare Swivel
MER14TCQDMP-"X"	36,48,60, 72, 120, 144	MER14TCQDMP-72P	Female QD	1/4" QD Nipple

Replace "X" with the desired hose length i.e. MER14TCQD-36
 ** Available packaged. Packaged option consist of a plastic clamshell with barcode

Quick Disconnect Fittings

Part No.	Description
ME-GMC4	QD 1/4" MPT Nipple x 1/4" FPT Coupler
ME-GMC6	QD 3/8" FPT Nipple x 3/8" FPT Coupler
ME-GMCL-4	1/4" QD Coupler x 1/4" FNPT w/Shut-Off Valve & Nipple
ME-GMC4-02	QD 1/4" MPT Nipple
ME-GMC6-01	QD 3/8" FPT Coupler
ME-GMC6-02	Gas Quick Disconnect 3/8" FPT Nipple



ME-GMC4



ME-GMC6



ME-GMC4-02

Flow-Longer & Stay-Longer Kits

The **Flow-Longer** Propane Kits are designed to connect small, portable appliances, normally fueled by disposable LP-Gas cylinders, to the existing LP-Gas fuel supply of a recreational vehicle, cottage, backyard patio, etc. without interrupting the supply of regulated fuel to the system. **Flow-Longer** eliminates the need to purchase an extra LP-Gas cylinder or several small, disposable type cylinders.

MER470 FLOW-LONGER PROPANE KIT INCLUDES

- Brass tee connection (ME415) .9 GPM excess flow male hard nose POL x female POL x 1"-20 male
- 12 foot hose (MER421-144) 1"-20 male x 1"-20 female



MER470

MER471 FLOW-LONGER PLUS PROPANE KIT INCLUDES

- Brass elbow connection (ME423) .9 GPM excess flow male hard nose POL x 1-5/16" male Acme/female POL with quick closing poppet x 1"-20 female
- 12 foot hose (MER421-144) 1"-20 male x 1"-20 female



MER471

The **Stay-Longer** Propane Kits are designed to give you new flexibility on how you use your LP-Gas. You can stay longer by hooking up auxiliary LP-Gas cylinders, or you can tap into the RV's LP-Gas system to fuel portable high-pressure appliances.

MER472 STAY-LONGER PROPANE KIT INCLUDES

- Brass tee connection (ME420) .9 GPM excess flow male hard nose POL x female POL x 1"-20 male x 1/4" female inverted flare
- 5 foot hose (MER401-60) .9 GPM excess flow male POL x 1/4" male inverted flare



MER472

MER473 STAY-LONGER PLUS PROPANE KIT INCLUDES

- Brass tee connection (ME420) .9 GPM excess flow male hard nose POL x female POL x 1"-20 male x 1/4" female inverted flare
- 5 foot hose (MER401-60) .9 GPM excess flow male hard nose POL x 1/4" male inverted flare
- 12 foot hose (MER421-144) 1"-20 male x 1"-20 female



MER473

All kits include installation instructions and a convenient reusable box for storage.

NOTE: The tee fitting must be installed between the vapor withdrawal valve on your LP-Gas container and the pressure regulator. This properly places the tee fitting in the high pressure portion of the LP-Gas system. Gas connections to the tee fitting are not designed for movement or rotation after installation. Flexing, twisting, or vibration should be avoided.

WARNING: An excess flow valve will not activate if there is a break or leak downstream of the valve that does not equal or exceed the closing flow of the valve or if the excess flow valve installed exceeds the flow capacity of the system. See the Excess Flow Warning page for more information regarding the use of excess flow devices.



Low Pressure Test Kits & Adapters

These kits are designed to check for gas leaks by verifying the line pressure of an appliance. Each kit includes a case, gauge, and rubber hose with a bell on the end.

SPECIFICATIONS

Capacity: 0 - 35" water column

Adjustable gauge models can be reset to zero with provided screwdriver

Three foot rubber hose with bell



ME60P-2



ME50-2

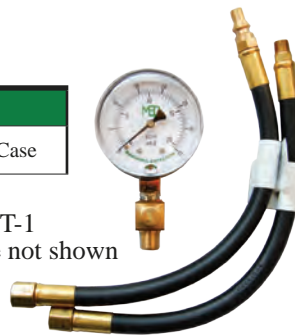
Kit with Case	Part No.			Adjustable Gauge	Manometer Adapter
	Gauge & Hose Only	Gauge & Hose Barb Connection	Gauge & 1/4" MNPT Connection		
ME60P-2	ME60P-5	—	ME60-2	Yes	ME1328 (3/8" OD) ME1331 (1/2" OD) ME1332 (5/8" OD)
ME50P-2	ME50P-5	ME50-2	ME50-2-01	No	

ME50P-2



Part No.	Description
ME-KIT-1	Complete Low Pressure RV Test Kit w/ Case

ME-KIT-1
*Carrying case not shown



ME1332



ME50P-5

The serviceman's friend (METL051 & METL052) eliminates the hassle of carrying numerous bushing and fittings to each job site. It has three threads on one end with a hose barb and an 1/8" MNPT on the other end. A hose can easily be attached to either end and can be connected to a manometer or other flow meters to check line pressure on an appliance.

Part No.	Connection	Connection
METL051	5/16"-32 Male / 1/8" MNPT / 1/2" MNPT	Standard test hose fitting/1/8" MNPT
METL052	5/16"-32 Male / 1/8" MNPT / 1/4" MNPT	Standard test hose fitting/1/8" MNPT



METL051

Low Pressure Test Block

Designed to test low pressure lines for system leaks. The factory installed check valve allows the line to be pressurized and adjusted to the desired test pressure.

Part No.	Inlet	PSIG
MEJ610/15	3/4" FNPT	0-15
MEJ610/30	3/4" FNPT	0-30
MEJ610/60	3/4" FNPT	0-60
MEJ610/100	3/4" FNPT	0-100



MEJ610/30

Type I (QCC) Connector

The Type I (QCC) connectors (ME517, ME518 and ME519 Series) are designed with a built-in excess flow feature and a positive shutoff that will not allow gas to flow until the connector is fully engaged. In case of a fire the built-in thermal protection on the QCC connector melts allowing the nipple to disengage from the tank connection and stop the flow of propane. These QCC connectors also provide a positive back check seal at disconnect to eliminate the propane in the hose from being released into the atmosphere.

To connect a Type I (QCC) connector to a cylinder, close the cylinder valve and the control valves to all connected appliances. Hand tighten the QCC onto the cylinder and slowly open the cylinder valve. If the valve is opened too quickly, the excess flow device will be activated closing the flow of propane to the appliance. If the excess flow device is activated, close appliance control valves and wait 60 seconds to allow pressure in the line to equalize. Additional equalization time may be needed depending on the length of the hose. Turn on appliances by following the manufacturer's suggested lighting procedures.

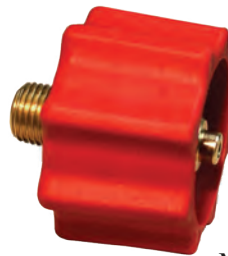
NOTE: The Type I (QCC) thread replaces the POL connection on 40 pound or less DOT propane cylinders.



ME517



ME518-25H



ME519



ME517EV

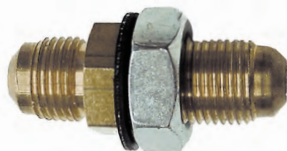


Part No.			Inlet	Flow Capacity	Handwheel Color	Thermal Protection
Outlet						
1/4" MNPT	1/4" Hose Barb	3/8" Hose Barb				
ME517	ME517-25H	ME517-38H	1-5/16" Female Acme	50 SCFH Air/100,000 BTUH	Black	Yes
ME518	ME518-25H	ME518-38H	1-5/16" Female Acme	100 SCFH Air/200,000 BTUH	Green	Yes
ME519	ME519-25H	ME519-38H	1-5/16" Female Acme	200 SCFH Air/400,000 BTUH	Red	Yes

Part No.	Inlet	Flow Capacity	Handwheel Color	Thermal Protection	Description
ME517EV	1-5/16" Female Acme	Full Flow	Black	Yes	Evacuation Coupling

WARNING: An excess flow valve will not activate if there is a break or leak downstream of the valve that does not equal or exceed the closing flow of the valve or if the excess flow valve installed exceeds the flow capacity of the system. See the Excess Flow Warning page for more information regarding the use of excess flow devices.

RV Bulkhead & Adapter



RV Bulkhead		
Part No.	Packaged Part No.	Description
MESTF33	MESTF33P	3/8" M. Flare x 3/8" M. Flare

* Packaged option consists of a plastic clamshell



Inverted Flare Adapter		
Part No.	Description	Accessory
ME2132 ME2132P*	1/4" F. Inv. Flare x 1/4" MNPT	ME2131 1/4" Inverted Flare Plug

* Packaged option consists of a plastic clamshell . (2) ME2132 per pack



Male POL x 1/4" MNPT

Part No.			Connection	Male POL Description
Male Hard Nose POL	Male Hard Nose POL 90° Angle	Male Soft Nose POL		
ME318 ME318P*	ME345	ME1629	1/4" MNPT	7/8" Nut
ME322	—	—	1/4" MNPT	7/8" Nut, 3-1/2" OAL
—	—	ME1654	1/4" MNPT	Plastic Handwheel
—	—	ME1654AH	1/4" MNPT	Hex Handwheel
—	—	ME1654AR	1/4" MNPT	Round Handwheel
ME319	ME348	—	1/4" MNPT	1-1/8" Nut
ME1690 ME1690P*	—	ME1641	1/4" MNPT	.9 GPM Excess Flow, 7/8" Nut
—	—	ME1653	1/4" MNPT	.9 GPM Excess Flow, Plastic Handwheel
—	—	ME1653AH	1/4" MNPT	.9 GPM Excess Flow, Hex Handwheel
—	—	ME1653AR	1/4" MNPT	.9 GPM Excess Flow, Round Handwheel
ME1692	—	—	1/4" MNPT	.9 GPM Excess Flow, 1-1/8" Nut
ME1690-EX18	—	ME1641EX18	1/4" MNPT	1.8 GPM Excess Flow, 7/8" Nut
—	—	ME1638	1/4" MNPT	#60 Orifice Hole, 7/8" Nut

* Packaged option consists of a plastic clamshell

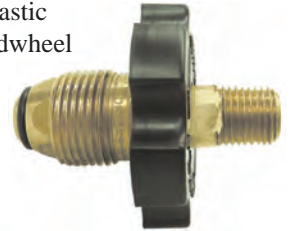
Male Hard Nose POL



Male Soft Nose POL



Plastic Handwheel



ME345



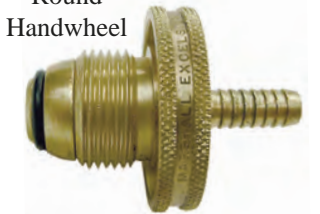
Male POL x Hose Barbs

Part No.		Hose I.D.	Male POL Description
Male Hard Nose POL	Male Soft Nose POL		
ME5930	ME1656-78N	1/4"	7/8" Nut
ME5931-78N	ME5931-78SN	3/8"	7/8" Nut
ME5930-118N	ME1656-118N	1/4"	1-1/8" Nut
ME5931	ME5931-SN	3/8"	1-1/8" Nut
—	ME1656	1/4"	Plastic Handwheel
—	ME1656AH	1/4"	Hex Handwheel
—	ME1656AR	1/4"	Round Handwheel
ME1683	ME1655-78N	1/4"	.9 GPM Excess Flow, 7/8" Nut
ME5931EX-78N	ME5931SNEX-78N	3/8"	.9 GPM Excess Flow, 7/8" Nut
ME1684	—	1/4"	.9 GPM Excess Flow, 1-1/8" Nut
—	ME1655	1/4"	.9 GPM Excess Flow, Plastic Handwheel
—	ME1655AH	1/4"	.9 GPM Excess Flow, Hex Handwheel
—	ME1655AR	1/4"	.9 GPM Excess Flow, Round Handwheel
—	ME1655EX18-78N	1/4"	1.8 GPM Excess Flow, 7/8" Nut
—	ME1657	1/4"	#60 Orifice Hole, 7/8" Nut

Hex Handwheel



Round Handwheel



WARNING: An excess flow valve will not activate if there is a break or leak downstream of the valve that does not equal or exceed the closing flow of the valve or if the excess flow valve installed exceeds the flow capacity of the system. See the Excess Flow Warning page for more information regarding the use of excess flow devices.

Single Piece POL Adapters

POL x MNPT			
Part No.	POL Connection	Excess Flow	MNPT
ME284	Female	—	1/4"
ME285	Female	—	3/8"
ME286	Female	—	1/2"
ME287	Female	—	3/4"
ME352	Male Hard Nose	—	3/8"
ME354	Male Hard Nose	—	1/2"
ME354EX9	Male Hard Nose	.9 GPM	1/2"
ME354EX18	Male Hard Nose	1.8 GPM	1/2"



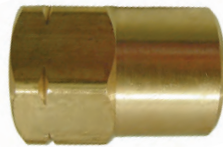
ME285



ME353EX18



ME353



ME303

POL x FNPT		
Part No.	POL Connection	FNPT
ME300	Female	1/8"
ME301	Female	1/4"
ME302	Female	3/8"
ME303	Female	1/2"
ME304	Female	3/4"
ME351	Male Hard Nose	1/4"
ME357	Male Hard Nose	1/2"

POL x Male Flare			
Part No.	POL Connection	Excess Flow	Male Flare
ME353	Male Hard Nose	—	3/8"
ME353-SN	Male Soft Nose	—	3/8"
ME353EX9	Male Hard Nose	.9 GPM	3/8"
ME353EX18	Male Hard Nose	1.8 GPM	3/8"
ME355	Male Hard Nose	—	1/2"
ME355-SN	Male Soft Nose	—	1/2"
ME355EX9	Male Hard Nose	.9 GPM	1/2"
ME355EX18	Male Hard Nose	1.8 GPM	1/2"
ME356	Male Hard Nose	—	5/8"
ME356-SN	Male Soft Nose	—	5/8"
ME356EX9	Male Hard Nose	.9 GPM	5/8"
ME356EX18	Male Hard Nose	1.8 GPM	5/8"

POL x POL		
Part No.	POL Connection	POL Connection
ME305	Female	Female



WARNING: An excess flow valve will not activate if there is a break or leak downstream of the valve that does not equal or exceed the closing flow of the valve or if the excess flow valve installed exceeds the flow capacity of the system. See the Excess Flow Warning page for more information regarding the use of excess flow devices.

Inlet Pressure Water Regulator

The ME9240 will protect your RV's plumbing system against unusually high pressure spikes. This regulator is factory preset at 40 PSI and is non-adjustable. The thread ends are standard 3/4" male garden hose thread and fits all standard water hose and campground water risers. For best results, connect the regulator at the riser (source of supply) to protect your hose and water system.

NOTE: When supply pressure is equal or below set pressure, regulator will deliver supply pressure only.

Part No.	Description
ME9240*	Water Regulator Pre-Set at 40 PSI - 3/4" F.G.H. Inlet x 3/4" M.G.H. Outlet
ME9240LF	Water Regulator Pre-Set at 40 PSI - 3/4" F.G.H. Inlet x 3/4" M.G.H. Outlet - Lead Free

* Packaged option consists of a plastic clamshell



ME9240



Type I (QCC) / OPD Valve Cap

Designed to protect the 1-5/16" male Acme threads on Type I (QCC) or OPD type cylinder valves. Using a cap will reduce the likelihood of inadvertent damage to the valve's threads, shutoff mechanisms and sealing surfaces during storage or refurbishment.

Part No.		Fits
Brass	Black Vinyl	
ME392P	ME952-07	1-5/16" Female Acme



ME952-07



ME392P

ME392P installed on 20 LB cylinder



POL Cap & Plugs

Part No.			Style
Brass	Plastic		
Body Only	Body With Chain	Body Only	
ME1691	ME1691-1	ME970P	Male Hard Nose POL Plug
ME1699	—	—	Female POL Cap



ME1699



ME1691



ME970P

POL Thread Clean Out Tool

Designed for use with any female POL thread or valve inlet opening. Allows operator to safely remove debris and other foreign material from female .880-14 NGO left hand threads (female POL) without damaging threads. Simply thread clean out tool into female POL threads using handwheel until the tool reaches the final thread. Reverse and remove tool carefully. Reverse tool and use attached 7/8" diameter bottle brush to perform final clean out operation. Blow out any remaining debris by using a compressed air line.

SPECIFICATIONS

- Constructed from hardened tool steel and plated for maximum product life
- Four clearance flutes to allow debris to be channeled away from threads
- Convenient 7/8" diameter wire brush for final clean out



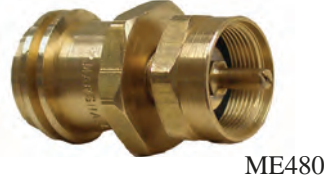
MEP100

WARNING: The POL thread clean out tool is strictly intended for use as a cleaning device and in no way should be used as a gauge to determine the usability of the thread. (Always refer to NFPA 58 and follow the appropriate guidelines prior to installing LP-Gas lines)

Last Chance Adapters

Designed to provide a quick way to change from a 20 pound cylinder to a 1 pound disposable cylinder. Can be used to connect a small 1 pound disposable cylinder to a gas grill or other appliance.

NOTE: To use the male POL on the ME393 series, simply remove the internal gasket. The gasket must be in place to use the Type I (QCC) connection.



Part No.	Packaged Part No.	Inlet	Outlet	Description
ME480	ME480P**	1"-20 Female	1-5/16" Male Acme/Female POL	Full Flow
ME480EX	—	1"-20 Female	1-5/16" Male Acme/Female POL	.9 GPM Excess Flow
ME480EX1.8	—	1"-20 Female	1-5/16" Male Acme/Female POL	1.8 GPM Excess Flow
ME481	ME481P**	1"-20 Female	1-5/16" Male Acme/Female POL	Shutoff Poppet

* An excess flow device does not provide a 100% shutoff, a small amount of propane may leak if disconnected
 ** Packaged option consists of a plastic clamshell

WARNING: An excess flow valve will not activate if there is a break or leak downstream of the valve that does not equal or exceed the closing flow of the valve or if the excess flow valve installed exceeds the flow capacity of the system. See the Excess Flow Warning page for more information regarding the use of excess flow devices.

Type I (QCC) Installation Adapters

Designed to provide a safe permanent outlet when installed into the household LP-Gas system. This permanent outlet eliminates the need for smaller containers when operating outdoor LP-Gas equipment. It is recommended that a shutoff valve be installed upstream from the adapter inlet to facilitate future servicing.

NOTE: To use the female POL on the ME393 series, simply remove the internal gasket. The gasket must be in place to use the Type I (QCC) connection.

FEATURES

- Can be used with both Type I (QCC) and male POL connections
- ME398 and ME399 include an internal shutoff valve which provides a leak free means for outdoor equipment to be safely connected and disconnected without shutting down the entire system



Part No.	Packaged Part No.	Inlet	Outlet	Shutoff Device
ME393-1	—	1/4" FNPT	1-5/16" Male Acme/Female POL	—
ME393EX	—	1/4" FNPT	1-5/16" Male Acme/Female POL	.9 GPM Excess Flow*
ME393EX1.8	—	1/4" FNPT	1-5/16" Male Acme/Female POL	1.8 GPM Excess Flow*
ME398	ME398P**	Male Soft Nose POL	1-5/16" Male Acme/Female POL	Quick Closing
ME399	—	1/4" MNPT	1-5/16" Male Acme/Female POL	Quick Closing

* An excess flow device does not provide a 100% shutoff, a small amount of propane may leak if disconnected
 ** Packaged option consists of a plastic clamshell



WARNING: An excess flow valve will not activate if there is a break or leak downstream of the valve that does not equal or exceed the closing flow of the valve or if the excess flow valve installed exceeds the flow capacity of the system. See the Excess Flow Warning page for more information regarding the use of excess flow devices.



Flare Fittings



Short Forged Nuts	
Part No.	O.D. Tube Size
ME-NS4-4	1/4"
ME-NS4-6	3/8"
ME-NS4-8	1/2"
ME-NS4-10	5/8"
ME-NS4-12	3/4"



Reducing Forged Nuts	
Part No.	O.D. Tube Size
ME-NS4-6-4	3/8" x 1/4"
ME-NS4-8-4	1/2" x 1/4"
ME-NS4-8-6	1/2" X 3/8"
ME-NS4-10-8	5/8" X 1/2"



Forged Swivel Nuts	
Part No.	O.D. Tube Size
ME-US4-6	3/8"
ME-US4-8	1/2"
ME-US4-10	5/8"

Reducing Forged Swivel Nuts	
Part No.	O.D. Tube Size
ME-US4-8-6	1/2" x 3/8"
ME-US4-10-8	5/8" x 1/2"



Full Unions	
Part No.	O.D. Tube Size
MEF42-4-4	1/4"
MEF42-6-6	3/8"
MEF42-8-8	1/2"
MEF42-10-10	5/8"



Reducing Unions	
Part No.	O.D. Tube Size
MEF42-8-6	1/2" x 3/8"
MEF42-10-6	5/8" x 3/8"
MEF42-10-8	5/8" x 1/2"



Female Connectors		
Part No.	O.D. Tube Size	FNPT
MEF46-4-4	1/4"	1/4"
MEF46-6-4	3/8"	1/4"
MEF46-6-6	3/8"	3/8"
MEF46-6-8	3/8"	1/2"
MEF46-6-12	3/8"	3/4"
MEF46-8-6	1/2"	3/8"
MEF46-8-8	1/2"	1/2"
MEF46-8-12	1/2"	3/4"
MEF46-10-6	5/8"	3/8"
MEF46-10-8	5/8"	1/2"
MEF46-10-12	5/8"	3/4"



Male Connectors		
Part No.	O.D. Tube Size	MNPT
MEF48-4-2	1/4"	1/8"
MEF48-4-4	1/4"	1/4"
MEF48-6-2	3/8"	1/8"
MEF48-6-4	3/8"	1/4"
MEF48-6-6	3/8"	3/8"
MEF48-6-8	3/8"	1/2"
MEF48-6-12	3/8"	3/4"
MEF48-8-4	1/2"	1/4"
MEF48-8-6	1/2"	3/8"
MEF48-8-8	1/2"	1/2"
MEF48-8-12	1/2"	3/4"
MEF48-10-6	5/8"	3/8"
MEF48-10-8	5/8"	1/2"
MEF48-10-12	5/8"	3/4"
MEF48-12-8	3/4"	1/2"
MEF48-12-12	3/4"	3/4"



Forged Female Elbows		
Part No.	O.D. Tube Size	FNPT
MEF54-6-6	3/8"	3/8"
MEF54-6-8	3/8"	1/2"
MEF54-6-12	3/8"	3/4"
MEF54-8-6	1/2"	3/8"
MEF54-8-8	1/2"	1/2"
MEF54-8-12	1/2"	3/4"
MEF54-10-8	5/8"	1/2"
MEF54-10-12	5/8"	3/4"

Flare Fittings & Pipe Thread Adapters



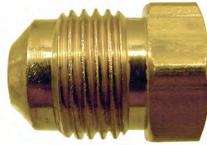
Forged Male Elbows		
Part No.	O.D. Tube Size	MNPT
MEF49-4-6	1/4"	3/8"
MEF49-6-4	3/8"	1/4"
MEF49-6-6	3/8"	3/8"
MEF49-6-8	3/8"	1/2"
MEF49-6-12	3/8"	3/4"
MEF49-8-4	1/2"	1/4"
MEF49-8-6	1/2"	3/8"
MEF49-8-8	1/2"	1/2"
MEF49-8-12	1/2"	3/4"
MEF49-10-8	5/8"	1/2"
MEF49-10-12	5/8"	3/4"



2 Way Forged Elbows	
Part No.	O.D. Tube Size
MEF55-6	3/8"
MEF55-8	1/2"
MEF55-10	5/8"
MEF55-12	3/4"



Male Tee	
Part No.	O.D. Tube Size
MEF44-6-6-6	3/8"
MEF44-8-8-8	1/2"
MEF44-10-10-10	5/8"



Flare Plugs	
Part No.	O.D. Tube Size
MEP2-4	1/4"
MEP2-6	3/8"
MEP2-8	1/2"
MEP2-12	3/4"



Female Tee	
Part No.	FNPT
ME415-01	1/4"



Tube Nut	
Part No.	O.D. Tube Size
MEF41-6	3/8"



Flare Caps	
Part No.	O.D. Tube Size
ME1695-4	1/4"
ME1695-6	3/8"
ME1695-8	1/2"
ME1695-12	3/4"



Pipe Threads Unions		
Part No.	MNPT	MNPT
MEF216-2	1/8"	1/8"
MEF216-4	1/4"	1/4"
MEF216-6	3/8"	3/8"
MEF216-6-8	3/8"	1/2"
MEF216-8	1/2"	1/2"
MEF216-12	3/4"	3/4"

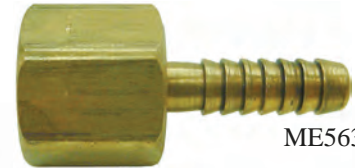
Hose Barbs

Part No.				Hose I.D.	Threads
Brass		Steel ¹			
Four Barb Low Pressure	Seven Barb High Pressure	Four Barb	Four Barb with 3/64" Orifice Hole		
ME4631	—	—	—	1/4"	1/8" FNPT
ME4632	ME5632	—	—	1/4"	1/4" FNPT
ME4633	ME5633	—	—	1/4"	3/8" FNPT
ME4652	—	—	—	3/8"	1/4" FNPT
ME4653	ME5653	—	—	3/8"	3/8" FNPT
ME4654	—	—	—	3/8"	1/2" FNPT
ME4231	ME5231	—	—	1/4"	1/8" MNPT
ME4232	ME5232	—	—	1/4"	1/4" MNPT
ME4233	ME5233	—	—	1/4"	3/8" MNPT
—	—	A6132	A6133	3/8"	1/8" MNPT
ME4252	—	A1132	A1133	3/8"	1/4" MNPT
ME4253	ME5253	—	—	3/8"	3/8" MNPT
ME4254	—	—	—	3/8"	1/2" MNPT
—	—	A6138	A6139	1/2"	1/8" MNPT
—	—	A1138	A1139	1/2"	1/4" MNPT
ME4273	—	—	—	1/2"	3/8" MNPT
ME4274	ME5274	—	—	1/2"	1/2" MNPT
ME4293	—	—	—	5/8"	3/8" MNPT
ME4835	ME5835	—	—	1/4"	3/8" Male Flare
ME4855	—	—	—	3/8"	3/8" Male Flare
ME4857	—	—	—	3/8"	1/2" Male Flare
—	ME5133	—	—	1/4"	1/4" Male Inverted Flare
ME4333	—	—	—	1/4"	1/4" Female Flare Swivel
ME4335 ²	ME5334 ^{5,6} ME5335	—	—	1/4"	3/8" Female Flare Swivel
ME4355 ³	ME5336 ⁶ ME5355	—	—	3/8"	3/8" Female Flare Swivel
ME4357	ME5357	—	—	3/8"	1/2" Female Flare Swivel
ME4377 ⁴	ME5377	—	—	1/2"	1/2" Female Flare Swivel

1—Rated for LP-Gas & NH₃ 4—ME4377-1 (barb only); ME4377-2 (nut only)
 2—ME4335-1 (barb only); ME4335-2 (nut only) 5—ME5334-1 (barb only)
 3—ME4355-1 (barb only); ME4355-2 (nut only) 6—Forged Nut



ME4652



ME5632



ME5233



ME4252



A1132



ME4835



ME5133



ME5335

High Pressure Gas Connections

Part No.			Hose I.D.	Threads
Hose Barb Assembly	Hose Barb Only	Nut Only		
ME23C	ME23C-1	ME23C-2	1/4"	9/16"-18 Female Left Hand
ME23E	ME23E-1	ME23C-2	3/8"	9/16"-18 Female Left Hand



ME23C

Part No.		Connection	POL Description
Male Hard Nose POL	Male Soft Nose POL		
ME1650	ME1650SN	9/16"-18 Male Left Hand	7/8" Nut
ME1651	—	9/16"-18 Male Left Hand	1-1/8" Nut
ME1689	ME1645-78N	9/16"-18 Male Left Hand	.9 GPM Excess Flow, 7/8" Nut
—	ME1645	9/16"-18 Male Left Hand	.9 GPM Excess Flow, Plastic Handwheel
ME1687	—	9/16"-18 Male Left Hand	.9 GPM Excess Flow, 1-1/8" Nut
ME1689-EX18	—	9/16"-18 Male Left Hand	1.8 GPM Excess Flow, 7/8" Nut

Soft Nose POL



Hard Nose POL



Outlet Bushings		
Part No.	Male Left Hand Thread	Thread
ME24C	9/16"-18	1/4" MNPT
ME24E	9/16"-18	3/8" MNPT
ME24F	9/16"-18	1/2" MNPT
ME26C	9/16"-18	9/16"-18 Male Left Hand



ME24C

WARNING: An excess flow valve will not activate if there is a break or leak downstream of the valve that does not equal or exceed the closing flow of the valve or if the excess flow valve installed exceeds the flow capacity of the system. See the Excess Flow Warning page for more information regarding the use of excess flow devices.

Hose Ferrules & Hose Menders



ME7327



ME27C



ME27E

Part No.	I.D.	OAL	Part No.	I.D.	OAL
ME7323	.525"	1"	ME7329	.687"	1"
ME7324	.531"	1"	ME7330	.718"	1"
ME7325	.562"	1"	ME7331	.750"	1"
ME7326	.593"	1"	ME7332	.781"	1"
ME7327	.625"	1"	ME7333	.812"	1"

Part No.	Hose I.D.
ME27C	1/4" x 1/4"
ME27E	3/8" x 3/8"

Low Temperature Leak Detector

General purpose leak detector for all pressurized gases. Designed to detect joint leaks within 5 seconds of proper application at temperatures down to -40° F.

Part No.	Size	Description
ME-LD02	2 Ounces	Spray Bottle
ME-LD1	8 Ounces	Cap and Dauber
ME-LD16	16 Ounces	Cap and Brush
ME-LD2	1 Gallon	Container



Safe-T-Locks

Designed to prevent tampering, product theft and/or accidental discharge of product. This product is perfect for any size tank valve with a POL connection or 1-3/4" Acme connection or gas plumbing, such as a riser.

To install, securely screw the plug or cap to the valving or plumbing using the appropriate wrench. Snap locking mechanism into place over plug or cap. Locking mechanism will cover the installation hex or knurl and swivel freely until key is inserted and the lock is removed.

SPECIFICATIONS

- All brass body construction for maximum durability
- Locking mechanism and key features durable chrome plating
- Locking mechanism swivels 360° when installed to prevent tampering or removal
- Locking mechanism cannot be removed without key
- Universal key for all sizes and styles

Part No.	Thread	Packaging	Additional Keys
ME530	Male Soft Nose POL	12 Plugs & Locks, 1 Key	ME530-03
ME531-50	1/2" FNPT	6 Caps & Locks, 1 Key	ME530-03
ME531-75	3/4" FNPT	6 Caps & Locks, 1 Key	ME530-03
ME532-38	3/8" Male Flare	12 Plugs & Locks, 1 Key	ME530-03
ME532-50	1/2" Male Flare	12 Plugs & Locks, 1 Key	ME530-03
ME533	1-3/4" Female Acme	2 Caps & Locks, 1 Key	ME530-03
ME530PL	Male Soft Nose POL	12 Caps & Locks, 1 Key	ME530-03



About This Catalog

This catalog is designed to provide a comprehensive overview of Marshall Excelsior's products. Due to the continuous development and additions to our product lines, this catalog may not include all products Marshall Excelsior offers.

Pictures in this catalog will resemble the product shown. However, due to continuous improvements and changes in regulations, we do not guarantee that the picture in this catalog will be the exact replica of the product purchased. Any pictures shown in a group of products will resemble the other products being offered in the same group unless otherwise stated.

Marshall Excelsior is a manufacturer of LP-Gas and anhydrous ammonia (NH₃) equipment. Unless otherwise stated, all products are designed and manufactured to be used only with LP-Gas or NH₃ and can withstand temperatures from -40° to +165° Fahrenheit. If there is a product that you would like to use for a different application contact your authorized Marshall Excelsior Distributor or Marshall Excelsior before installing the product.

This catalog is for general information only and should not be viewed as an all inclusive catalog of important technical information, regulations, warnings or installation instructions. Contact your authorized Marshall Excelsior Distributor or Marshall Excelsior for more information.

Compliance

Marshall Excelsior manufactures all of our products to the highest industry standards. All of our products meet or exceed the requirements of the Compressed Gas Association (CGA), the National Fire Protection Association (NFPA), American National Standards Institute (ANSI), American Society of Mechanical Engineers (ASME) or Underwriters Laboratories, Inc. (UL) where indicated.

Product Changes

Marshall Excelsior reserves the right to change product specifications at any time. We are constantly evaluating our products and incorporating engineering advances to ensure our products perform and comply with changes in market conditions, government mandates, and code changes. Marshall Excelsior shall not be required to modify any equipment already sold or in service.

Filters

Marshall Excelsior develops products to be used in a debris, dirt and contamination free system. Installing an in-line filter may be necessary in a system that contains unclean product or when the system contains debris, dirt, scale, rust or other contaminants.

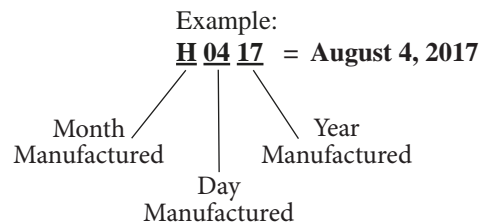
Product Age

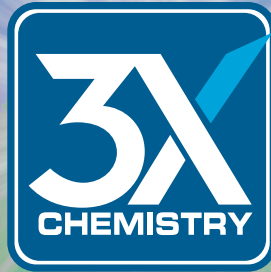
Marshall Excelsior products are mechanical devices that are subject to wear, contaminants, corrosion, and aging of components made of materials such as rubber and metal. Over time these devices will eventually become inoperative. The safe service life of these products will reflect the environment and conditions of use that they are subjected to. **Regular inspection and maintenance is essential.** Marshall Excelsior products have a long record of quality and service, so LP-Gas dealers may forget hazards that can arise from using aging devices that have outlived their safe service life. The length of a device's life is determined by the environment in which it is used, and the LP-Gas dealer knows better than anyone about this environment.

There are developing trends in state legislation and proposed national legislation making the owner of products responsible for replacing products before they outlive their safe service life. LP-Gas dealers should be aware of such legislation as it affects them.

To determine the product's age, check the product for a date code consisting of a series of letters and numbers.

A = January	B = February	C = March
D = April	E = May	F = June
G = July	H = August	I = September
J = October	K = November	L = December





IT'S ALL IN THE CHEMISTRY! QUALITY : PERFORMANCE : RESULTS



A TOTAL SOLUTION UNDER ONE BRAND

PREMIER CHEMICAL PRODUCTS FOR THE RV INDUSTRY



**MADE IN THE USA
DISTRIBUTED ACROSS
NORTH AMERICA**

IT'S ALL IN THE CHEMISTRY.

For more than 45 years we've been creating formulas based on a simple equation; quality + performance = results. Every 3X Chemistry product is defined, developed and tested to meet then exceed this expectation. Leaving the consumer with nothing but rave results, and us bragging rights of being a premier brand. This has allowed us to go where no chemical maker has gone before, a total chemical solution for your RV from one trusted brand... 3X Chemistry.

It's all in the chemistry.



SANITATION & ODOR CONTROL

- NuGen 3
- NuGen Refill 3

DEODORIZERS

- Nodor 4
- Refreshed 4
- Single Shot 4

INTERIOR CLEANING

- Fiber Clean 5
- Kleen Sheen 5
- Shine Brite 5
- Stain Magic 5

EXTERIOR CLEANING

- Bug Blaster 6
- Black Max 6
- Black Streak 6
- Fast Detailer 6
- Metal Polish 6
- Pro-Glo 6
- Show Kote 7
- Ultra Clear 7
- Ultra Wash 7

CORROSION CONTROL

- High Solids Single Coat Paint 8
- Metal Etch 8
- Metal Prep 8

- Rust Blocker 9
- Rust Converter 9
- Rust De-Bonder 9
- Rust Suffocator 8
- Salt Neutralizer 9

REPAIR & MAINTENANCE

- Coil Clean 10
- Dura Seal 10
- EZ Mend 10
- EZ Slide 10
- Seal Saver 10

BULK PACKAGING

- M.A.D. Makes A Drum 11
- Options & Savings 11



SANITATION & ODOR CONTROL

nuGen

Advanced Holding Tank Cleaner with Smart Technology

New advanced nanotechnology found exclusively in nuGen works at the molecular level to create a self cleaning and odor free tank.

How it works

Ordinary cleaners contain surfactants that allow dirt and soils to redeposit and create odors. nuGen contains nanoparticles, also called colloidal micelles that bind to waste, tissue, dirt, oil and grease making them insoluble in water and unable to redeposit. These nanoparticles further reach out and attach to the walls of the tank forming a “nano-shield” to create a self cleaning environment. The result is a cleaner and odor free tank 24/7.

Advantages

- Works in all temperatures for superior cleaning and odor elimination
- Keeps soils from redepositing by suspending them for easy discharge
- Lubricates valves and floats, while cleaning sensors
- Binds to and neutralizes odors on contact
- Prevents new odors from forming
- Formaldehyde free and readily biodegradable

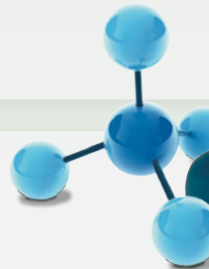
SKU: 139



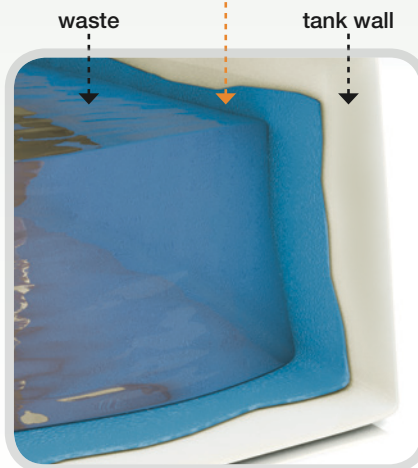
nuGen Refill

Get More with nuGen Refills
5-22oz Refills = 58 Treatments

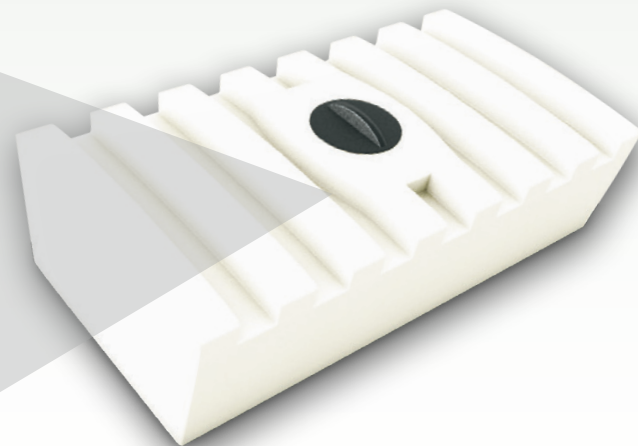
SKU: 140



nuGen Nano-Shield keeps tank walls clean



nuGen's nano-shield is clear. Blue is for representation purposes only.



DEODORIZERS

Eliminate nasty malodors.

Our line of 3X deodorizers does everything from complete odor neutralization and elimination to odor encapsulation and germ sanitation. Whether it's time to get your RV out of storage or get rid animal or trash malodors, 3X has the right product.



Nodor

Non-Aerosol Natural Odor Eliminator

Uses the fresh, natural power of citrus oils to eliminate foul odors with just one spray; even skunk odor! Nodor eliminates odors caused by: Animals and Pets, Cooking, Mold and Mildew, Urine, Vomit, Tobacco Smoke, Trash Containers, and more!

Orange SKU: 138
Berry SKU: 321



Odor Blast

All Surface Odor and Moisture Extractor

Actively eliminates tough organic odors at their source with its dynamic blend of advanced granular active oxidants. Odor Blast is not simply a masking agent or broadcasted scent. When applied to a spill on carpet, upholstery, and other surfaces, it wicks up any moisture while it deodorizes. Ideal for use during storage to prevent musty odors & to absorb unpleasant black water spills around RV holding tanks.

SKU: 266



Refreshed

Odor Neutralizing Gel with Activated Charcoal

Formulated as a semi-solid gel, Refreshed uses charcoal to absorb offensive odors and neutralize air without perfumes or masking agents. Remove the lid, place the container anywhere odors are a concern. Covers approximately 400-1,000 square feet. Lasts for 30 days in summer, and up to 90 days during winter storage.

SKU: 152



Single Shot

3 in 1 Disinfectant, Deodorizer, & Sanitizer

Single Shot gets rid of odor causing bacteria and germs in one application. It combines the power of a disinfectant in a fogging aerosol spray to knock out tough odors and keep RV's, trailers, and vehicles fresh and odor free. Its misting fog reaches into surfaces, fabrics, and ventilation and kills mold & mildew and other microorganisms that create foul odors. Single Shot's unique 2 way valve also offers short burst sprays for smaller areas. One can treats 6,000 sq. feet. Virucidal, Fungicidal, Bactericidal, Staphylocidal, Kills MRSA and Influenza A Virus.

SKU: 238



INTERIOR CLEANING

Clean inside before you head outside.

Along your many adventures, it's impossible not to track in some of the outdoors into the interior of your RV. Use 3X Chemistry's line of interior cleaners and your home-away-from-home will be shining and smelling fresh for the incredible journey that lays before you.



Fiber Clean

Clean Stains and Spills In One Simple Towel

A powerful carpet spotter formula in the convenience of a towel that quickly and easily remove spots, spills and stains from carpet and upholstery. Fiber Clean wipes out the tough spots without leaving soil-attracting residue behind. Each Fiber Clean towel deodorizes as it cleans and is safe to use on a variety of carpets and upholstery. Cleans and removes soda, coffee, candy, ink, vomit, blood, gum, greasy foods, oil, grease, soil, pet stains and more.

SKU: 128



Kleen Sheen

Vinyl, Plastic and Leather Cleaner, Conditioner and Protector

A UV blocking cleaner for vinyl, leather, rubber and plastic that leaves a tough, protective coating without any slick and slippery mess. The unique formula penetrates the surface for deep cleaning, while leaving the surface with a "like new" natural sheen that inhibits fading, cracking and hardening. Ideal for seats, trim, dashes, hoses, moldings, seals, door panels, fan shrouds, tires and more. Unlike other cleaners, Kleen Sheen leaves a non-slick finish for a natural finish.

SKU: 130



Shine Brite

Stainless Steel Surface Cleaner, Protectant and Polish Towels

Premoistened with a unique citrus-based formula, Shine Brite Towels clean and polish stainless steel surfaces and appliances while protecting them against the damaging effects of oxidation and corrosion. The 2-in-1 towel has an abrasive side to remove stains and deposits and a smooth side to polish. Removes and resists hard-water stains, grease smudges, oily finger prints, food spills and residue.

SKU: 159



Stain Magic

Removes Stains Caused By Mold and Mildew

Extra strength stain remover and cleaner that works on contact with little to no agitation needed. Stain Magic uses the stain-lifting power of hydrogen peroxide and the cleaning ability of d'Limonene to remove the toughest stains from awnings, patio furniture, vinyl canopies, and mats.

SKU: 161

EXTERIOR CLEANING

Don't hit the road in a dirty RV.

Ever get a photo of your RV surrounded by incredible scenery only to realize it looks like something cousin Eddie would have arrived in? With 3X Chemistry's line of exterior cleaners you can keep your RV looking like the shimmering mobile castle you purchased. A look so clean and bright even cousin Clark would approve.



Bug Blaster

Dissolve and Remove Dried Bugs Stains

Cut through tough, dried and baked-on bug remains quickly without leaving a film. Safe for Fiberglass, gelcoat, decals and the environment.

SKU: 116



Black Max

Premium Tire Dressing and Protectant

Long-lasting, high-shine dressing makes tires and rubber surfaces look better than new. Rich, "wet look" is designed to last longer than any other on the market. Cleans, conditions and protects from harsh elements. Can be applied to surfaces that are damp or dry; no wiping required. Can also be used under the hood on hoses and wires, exterior vinyl, moldings, or anywhere an extreme, wet, clean look is wanted.

SKU: 113



Black Streak

Advanced Foaming Black Streak Cleaner

Neutralizes and emulsifies black streak markings, grease, oils, road grime and baked on bug remains. The powerful heavy-duty foaming formula clings to surfaces longer for deeper penetration and quick, effective cleaning. Safe for use on gel-coat, fiberglass, metal, aluminum, painted surfaces and decals. Contains no harsh chemical solvents.

SKU: 115



Fast Detailer

Quick Clean Up and Detail for Cars, Trucks, RV's, and Boats

Fast Detailer cleans, shines, and protects all paint, clear coat finishes, chrome and more. Easy to use - simply spray on and buff. No water necessary. Formulated with cutting edge additive, Fast Detailer keeps surfaces cleaner longer, repels water, and reduces adhesion of dust, pollen, insects, bird dropping, tree sap, road grime, brake dust, and more.

SKU: 196



Metal Polish

Chrome and Multi-Metal Cleaner and Polish

A light-abrasive, cream-based metal cleaner and polish that restores metal surfaces to a high-gloss luster while removing years of tarnish, oxidation, residue, watermarks, and more. Perfect for stainless steel, chrome, aluminum, brass, copper, and pewter. Easy to use wipe on, wipe off formula.

SKU: 194

All Cleaners Available in Bulk Packaging

- High dilutions
- Reduce costs
- Reduce waste
- Less storage



We've got the right size packaging for any size shop and job.

Available in 5, 20, 35, and 55 gallon containers.



Pro-Glo

Deep Cleaning Polish and Protectant

Ideal for restoring oxidized surfaces and decals on RV's and boats. Restores a "show room" like gloss finish and protects surfaces from the effects of weathering and salt spray. Pro-Glo will remove old oxidation, restore old worn paint finishes, and protects new finishes from oxidation and corrosion. Safe for all clear coats finishes, gel coat, chrome, aluminum, and fiberglass.

SKU: 147



Show Kote

Carnauba Spray Wax for Cars, Trucks, RV's, and Boats

Nothing protects and shines like genuine Carnauba wax. Show Kote is fortified with the highest grade Carnauba wax and Teflon for ultimate protection and shine on all paint, clear coat finishes, chrome, and more. Simply spray, let haze, and buff off. Will also brighten stainless steel and aluminum.

SKU: 195



Ultra Clear

Multi-Surface Glass Cleaner and Protectant

Emulsify grease, oil and dirt on contact. Ultra Clear's clinging foam quickly breaks into a liquid for fast and easy cleaning of all glass surfaces. Dries residue free, so surfaces stay clean longer. Spray and wipe away fingerprints, smudges, lipstick, grease, bugs, dust, dirt, smoke film and oils. Safe on factory tint.

SKU: 170



Ultra Wash

Super Concentrated RV Wash and Wax

Premium concentrated, high-foaming wash, and wax in one. It combines deep cleaning surfactants with the highest level of genuine Carnauba Wax to clean and protect RV finishes, leaving a "just waxed" shine after every use. Safe for all car, RV, motorcycle and marine finishes. Just 1 oz of Ultra Wash removes road grime, dirt, bugs, oil, fuel, and salt that can harm finishes.

64oz. SKU: 173

Pro-Glo
Deep Cleaning Polish and Protectant

Ultra Wash
Super Concentrated RV Wash and Wax

Fast Detailer
Quick Clean Up and Detail for Cars, Trucks, RV's, and Boats

Show Kote
Carnauba Spray Wax for Cars, Trucks, RV's, and Boats

Ultra Clear
Multi-Surface Glass Cleaner and Protectant

Bug Blaster
Dissolve and Remove Dried Bugs Stains

Black Streak
Advanced Foaming Black Streak Cleaner

Metal Polish
Chrome and Multi-Metal Cleaner and Polish

Black Max
Premium Tire Dressing and Protectant



CORROSION PROTECTION

Don't replace rusted metal. *Restore it.*



Rust Suffocator *High-Solids Rust Preventative Paint with UV Stabilizers*

Rust Suffocator is a high-solids, single component paint that permanently stops corrosion. Formulated with UV Stabilizers, it provides added protection against wear. It bonds to bare or rusty metal to form a rock hard, non-porous finish that won't crack, chip, or peel. It works by isolating metal from oxygen and moisture to keep rust in a suspended state. Completely unaffected by road salt, gasoline, oils, battery acids, hydraulic fluids, solvents, chemicals, or corrosives. Top coat with 3X Rust Blocker for long-term UV resistance. Available in Gloss Black or Satin Black finishes.

Gloss SKU: 125
Satin SKU: 126



High Solids Single Coat Paint *Industrial Protective Coating*

40-45% High Solids Single Coat Paint offers superior coverage - 1 coat covers as much as 4 coats of ordinary spray paint. Protects both indoors and outdoors against sunlight, weather, rust, oil, gasoline, corrosive chemicals, and wear. It's tough enamel finish resists fading, cracking, chipping, & peeling. Dries to the touch in minutes and is weather resistant within a few hours. Ideal for appearance touch ups and as a top coat over 3X Rust Suffocator or 3X Rust Converter. Available in Gloss White, Gloss Black, Flat White, and Flat Black finishes.

Gloss White SKU: 370
Gloss Black SKU: 373
Flat White SKU: 371
Flat Black SKU: 350



Metal Etch *Etches Bare Metal and Inhibits Rust*

Metal Etch is a treatment for bare metal that inhibits rust and promotes paint adhesion. This specially formulated liquid gently etches the metal, then leaves a zinc coating that helps chemically bind paint to the surface. Metal Etch can be sprayed, brushed, or applied by dipping parts. The reusable liquid is ideal for application on parts after using 3X Chemistry Rust Dissolver.

SKU: 135

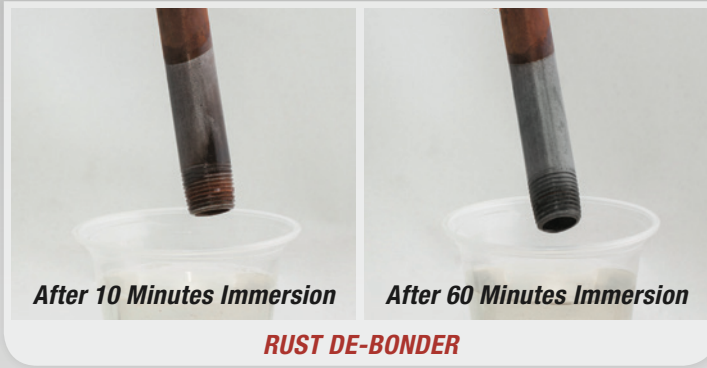


Metal Prep *Residue Free, Degreaser and Metal Surface Cleaner*

The first step in ensuring proper surface preparation before rust treatment or top coating. Removes brake fluid, grease, oil, wax and other contaminants on contact and evaporates quickly, leaving no residue. Contains no ozone depleting chlorinated solvents or CFCs. Ideal for use as a degreaser/cleaner on rusted metal or bare metal before application of 3X Chemistry's Rust Converter, Rust Dissolver, Rust Blocker, Rust Suffocator, and Metal Etch.

SKU: 136





RUST DE-BONDER



RUST BLOCKER (WHITE)



RUST CONVERTER



Rust Blocker

Rust Inhibitor for All Surfaces

Durable coating protects against oxidation, corrosion, salt spray, weather, pitting, and more for up to 7 years. Formulated with advanced Nanotechnology, it provides a superior bond to treated and non treated surfaces such as all metals, fiberglass, concrete and wood. Overspray cleans up easily with solvent cleaner. Provides added UV protection to 3X Rust Converter, 3X Encapsulator, and painted surfaces. Available in Black, White, Red, Gray, & Clear.

Aerosol SKU: 247

Aerosol Black SKU: 00397

Aerosol White SKU: 00398

Quart SKU: 263



Rust Converter

Chemically Converts Rust and Protects Surfaces

Rust Converter is not a paint, but a chemical process for treating rusted surfaces. Rust Converter works by binding with iron oxide to chemically transform rust into a black polymer that prevents future rust from forming. Once cured, the coating is ready for primer or topcoat with 3X Rust Blocker. Can be brushed or sprayed using a trigger bottle, or spray gun.

Quart SKU: 154

Aerosol SKU: 153



Rust De-Bonder

"Scrub-Free" Immersion Formula

A safe and effective way to remove rust from metal parts such as hitches, undercarriages, tools, and equipment without scrubbing, grinding, or sand blasting. Using proprietary non-acid technology, it breaks the bonds holding rust on surfaces without harming the metal or other surrounding surfaces including rubber, plastic, vinyl, PVC, aluminum, copper, and brass. It also inhibits flash rusting after treatment. The pH neutral formula is non-toxic, biodegradable, and non-flammable. Great for use in any RV repair or restoration project.

Gallon SKU: 401

5 Gallon SKU: 402



Salt Neutralizer

Converts Corrosive Salt Residue To Easy Rinsing Form

Specially formulated to remove embedded salt and salt residue without harming painted or finished surfaces. Salt Neutralizer attacks the salt layers, and converts them into a water soluble form that can be easily rinsed away. Unlike detergent based products, Salt Neutralizer's blend of organic acids, corrosion inhibitors, and penetrants neutralize the corrosive film left behind by road salt, brine and ice melt. Giving peace of mind that no salt or chalky film is left on the surface.

Gal SKU: 156

6 Gal SKU: 352

REPAIR & MAINTENANCE

Worry Less... Explore More.

Nothing is worse than rolling down the open road worried that the products you used to repair or maintain your RV will fail. With 3X Chemistry's line of repair and maintenance products you can cruise with confidence knowing you used the best possible products to keep your 13 tons of rolling freedom in tip top condition.



Coil Clean

Foaming No-Rinse, No-Wipe Cleaner

Formulated to quickly penetrate and remove dirt, lint, grease and matted material from RV condenser coils and fins. The powerful spray generates a thick foam that breaks down the soil. Dirt and lint are washed away with condensation, leaving unit cleaned and deodorized.

SKU: 117



Seal Saver

Foaming Rubber Seal Conditioner

Extends slide out seal life, leaves behind a water-repelling film, and decreases friction. The PTFE technology reduces the harmful UV effects; keeps seals pliable and helps prevent sticking.

SKU: 158



Dura Seal

Permanent, Rapid Curing Instant Leak Sealer

An instant leak sealer and coating that adheres to most substrates. Features a superior, fast setting spray on elastomer with UV resistance. Up to 5 years of protection and withstands extreme temperatures of -30°F to 200°F without cracking and peeling. Once cured, it will help prevent rust and corrosion. Remains flexible after drying with elongation up to 500%, accommodating shifting, expansion/contraction.

SKU: 124



EZ Mend

UV Activated Self-Adhering Patch

EZ Mend is a flexible fiberglass/polyester repair patch that provides durable, watertight repairs in one versatile product. When exposed to UV light, it rapidly cures to a hard, weather-resistant patch that can be sanded, drilled and painted. Will not shrink/expand during application or after curing. EZ Mend is wide-range temperature tolerant, dimensionally stable and resistant to many chemicals, solvents and oils.

SKU: 396



EZ Slide

RV Slide Out Lube and Protectant

Keep RV slide outs lubricated while providing maximum protection for these expensive mechanisms. EZ Slide utilizes superior PTFE moisture-displacing technology to lay down a film-like barrier that inhibits rust and corrosion. This non-greasy lubricant contains no chlorinated or fluorinated solvents. Works as moisture displacement in electrical components and lubricates tank valves during winterizing.

SKU: 127



FOR THE SHOP

It's All in the Savings.

- High dilutions
- Reduce costs
- Reduce waste
- Less storage



M.A.D.

Makes A Drum Emulsifying Degreaser Super Concentrate

3X M.A.D. is a super concentrated product that can be diluted to fit light to heavy duty degreasing needs. Simply mix Components A & B in the provided drum and dilute with water to recommended ratio to fit the job. M.A.D. softens greasy and grimy soils for easy removal from equipment, vehicles, floors, walls, and parts. This versatile product can clean virtually any hard surface, making it a staple in the shop. Order the M.A.D. Kit initially, which includes a re-usable drum, mixing dispenser, bung wrench, chemical-resistant gloves, funnel, and chemical components. Subsequent orders for the Refill will only contain the chemical components.

Kit SKU: 404
Refill SKU: 403



Options available in our top-selling cleaners and polishes

M.A.D. Makes A Drum

Emulsifying Degreaser
Super Concentrate

Black Streak

Advanced Foaming
Black Streak Cleaner

Bug Blaster

Dissolve & Remove
Dried Bugs Stains

Fast Detailer

Quick Clean Up
and Detail

Pro Glo

Deep Cleaning Polish
and Protectant

Salt Neutralizer

Converts Corrosive Salt
Residue For Easy Rinsing

Show Kote

Carnauba
Spray Wax

Ultra Wash

Super Concentrated
RV Wash & Wax

AVAILABLE IN 5, 20, 35, AND 55 GALLON CONTAINERS.

2017

AP Products

Hardware Catalog



AP Products

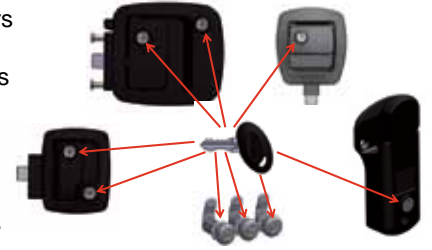
Adhesives.....	23-24	Grayline Housewares	19-20
Air Diffusers & Outlets	15	Hardware	7-8, 12-15
Battery Boxes	36	Hinges & Magnetic Catches	9
Catches.....	11	Kwik Bandit™	33-34
Coil N' Wrap	25-26	Plug-Guard / Nappy Kamper / GTG	
Dolly Trailer Pads & RV Jack Pads	27	Fusion Tape.....	27
Door Holdbacks	5-6	Positive Catches.....	10
Door Knobs & Door Locks.....	1-4, 7	Shelf Hog.....	20
Drawer Hardware	17-18	Slim Shade™.....	6
Floor Registers	15	Star Lights.....	29-32
Fresh Cab, Stay Away & Bug Shield..	28	Table Legs & Support.....	16
Gas Props & Accessories.....	21-22	Tank Check™	35



Keyed-Alike Program

Most RV's come with several different keys. AP Products has worked with popular lock manufacturers to offer a Keyed Alike program for dealers to replace customers locks so one key operates the entry door, baggage doors and slam latches. Ramp doors, bar locks, slam latches, entry locks and handles can be keyed a like in just a few minutes on most coaches by dealers and service techs.

IMPORTANT - All Hardware must be from the same company. All entry handles, slams, cams, bar locks, ect. must be manufactured by the one company. The coach must have ALL Bauer or ALL Global locks to execute the rekey process. Hardware does not come from AP Products keyed a like.



Cylinders

For Bauer & Global Locks and Cams

*A control key from the lock manufacturer is required to perform a cylinder change.

Ask your rep for part numbers and availability to order control keys.

For Bauer

- All Entry door locks, including electric locks, require (1) master cylinder (marked "P" on the cylinder) and (1) non-mastered cylinder (marked "DB" on the cylinder)

- All Bauer Slam Baggage Locks and Cam Baggage Locks use NON-MASTERED ("DB") cylinders for rekeying.

For Global

- All entry door locks require (1) mastered cylinder (marked with "M" on the cylinder) and (1) Non-mastered cylinder (with no markings on the cylinder)

- All Global Slam Baggage Locks and Cam Baggage Locks use NON-MASTERED ("Blank") cylinders for rekeying.

Replacement cylinders are packages of 10 and marked with the key number on the side.



Bauer

Replacement Master and Non-Mastered Lock Cylinders for Bauer Entrance, Slam, and Cam Locks. (Marked on cylinder: P = Paddle, DB = Dead Bolt)

Master

Key Code	Key Code
013-537	350
013-538	351
013-539	352
013-540	353
013-541	354
013-542	355
013-543	356
013-544	357
013-545	358
013-546	359

Non-Mastered

Key Code	Key Code
013-547	350
013-548	351
013-549	352
013-550	353
013-551	354
013-552	355
013-553	356
013-554	357
013-555	358
013-556	359



Global

Replacement Master and Non-Mastered Lock Cylinders for Global Entrance, Slam, and Cam Locks. (Marked on cylinder: M = Mastered, Blank = Non-Mastered)

Master

Key Code	Key Code
013-574	341
013-575	342
013-576	343
013-577	344
013-578	345
013-579	346
013-580	347
013-581	348
013-582	349
013-583	330

Non-Mastered

Key Code	Key Code
013-590	341
013-591	342
013-592	343
013-593	344
013-594	345
013-595	346
013-596	347
013-597	348
013-598	349
013-599	330

Global Locks

Standard Global Travel Trailer Lock

Entrance lock with paddle and deadbolt. Directly replaces most entrance locks on travel trailers and 5th wheels.



- 013-570 Trailer Lock w/Keys - Black
- 013-571 Trailer Lock w/Keys - White
- 013-572 Trailer Lock w/Keys - Chrome

Global Slam Baggage Lock



RV Baggage Door Latch and Lock. "Slam Latch" allows baggage door to be closed with force with a positive latch. Direct replacement for existing slam latch on the market.

013-573 Global Slam Baggage Lock Black

Global Cam Lock

Baggage Door Cam Lock with replaceable cylinder. Fits most existing Cam Locks w/ 7/8" Shaft and allows cylinder to be keyed to a matching Global Entrance Key code.



- 013-584 Global 7/8" Cam
- 013-585 Global 1-1/8" Cam
- 013-586 Global 1-3/8" Cam

Bauer Locks

Bauer Keyless Travel Trailer / 5th Wheel

Directly upgrades most travel trailer locks. Offers hassle free touch pad access - no key or fob to carry with you. No wiring needed - uses 4 AA batteries to operate (not included). Comes with key for overriding forgotten code or dead battery.

*** Now has AISentis HSS Technology**

- No "waking up" function as with captive touch technology
- Longer battery life than captive touch locks.
- Features Intelligent Touch Technology Recognition which distinguishes between water and human touch. A glove can also be worn while using the lock.

013-509 RH
013-530 LH



Bauer Keyless Motor Home

Meets DOT specifications for motor home use. Offers hassle free touch pad access - no key or fob to carry with you. No wiring needed - uses 4 AA batteries to operate (not included). Comes with key for overriding forgotten code or dead battery.

*** Now has AISentis HSS Technology**

- No "waking up" function as with captive touch technology
- Longer battery life than captive touch locks.
- Features Intelligent Touch Technology Recognition which distinguishes between water and human touch. A glove can also be worn while using the lock.

013-531 Electric Motor Home Lock



Standard Bauer Travel Trailer Lock

Direct replacement for standard RV entry door locks. Fits in a 2-3/4"x3-1/4" cutout. Features Bauer's SCI technology to prevent tampering with lock cylinders. Low profile inside egress to prevent interference with screen door.

- Corrosion resistant
- Lightweight
- UV resistant

013-520 Entrance Lock - Black
013-534 Entrance Lock - White
013-535 Entrance Lock - Chrome



Bauer Standard Motor Home

Entrance Door Lock designed for motorhomes. Exceeds Federal motorhome vehicle safety standards. Replaces the L300. Will replace Trimark 060-0600 and 060-0650.

013-257

013-257 RV Entrance Motorhome Lock



Bauer Vise Lock

For ramp doors

013-680 Black



Bauer Slam Baggage Lock

RV Baggage Door Latch and Lock. "Slam Latch" allows baggage door to be closed with force with a positive latch. Direct replacement for existing slam latch on the market.

013-671 Bauer Slam Baggage Lock
Black



Bauer Cam Lock

Baggage Door Cam Lock with replaceable cylinder. Fits most existing Cam Locks w/ 7/8 Shaft and allows cylinder to be keyed to a matching Bauer Entrance Key code.

013-673 Bauer 7/8" Cam
013-674 Bauer 1-1/8" Cam
013-675 Bauer 1-3/8" Cam



Cylinder Cams

013-679 Straight 1/each

013-678 Off-Set 1/each



Barb Cam

Used for outside shower doors and leveling doors.

013-8934351



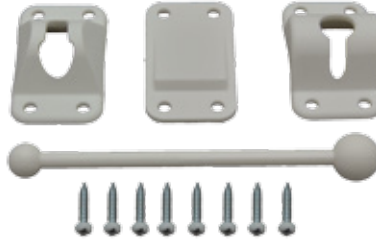
DOOR HOLDBACKS

Plastic Door Holdback 1 Set w/Screws



- 3-1/2" Door Holdback
013-084 Colonial White
013-084W White
013-084BL Black
 6" Door Holdback
013-085 Colonial White
013-085W White
013-085BL Black
 8" Door Holdback
013-064BL Black

Plastic Door Holdbacks 1 Set w/Screws



- 013-237**
 4" Plastic Door Holdback
 White
013-238
 6" Plastic Door Holdback
 White
013-239
 10" Plastic Door Holdback
 White



- 5-1/2" Door Holdback
013-087 Colonial White
013-087-W White

Metal Door Holdback 1 Set w/Screws



- 013-147**
 2-5/8" Door Holdback
013-104
 3" Door Holdback

Metal Door Holdback 2 Sets w/Screws



- 013-246**
 3" Metal Door Holdback
 Zinc
013-247
 4" Metal Door Holdback
 Zinc



- 013-086**
 3" Door Holdback
 Colonial White
013-086-W
 3" Door Holdback
 White
013-088
 3" Male Piece Only
 Colonial White
013-088-W
 3" Male Piece Only
 White
013-089
 Female Piece Only
 Colonial White
013-089-W
 Female Piece Only
 White

DOOR HOLDBACKS

**Nylon Bumper
1 Piece**

1-1/4" Nylon Bumper
013-090 Colonial White
013-090-W White



2-7/8" Nylon Bumper
013-091 Colonial White
013-091-W White
013-091-BL Black



Rubberized Magnets are an easy-to-install and simple to use powerful magnetic connection system perfect for replacing traditional latches. For the exterior they can be used for applications such as the baggage/storage compartments and on the interior the magnets can be used for various cabinet applications. Are also great when used individually (interior or exterior) for hanging small objects such as: keys, tools, USB/device chargers, bottle openers, fly swatters, brooms, lighters, and small flashlights. The applications are endless!

013-09801 Polar White (2 sets)
013-09802 Black (2 sets)

Magnetic Door Holdbacks



**Metal Door Holdback
Straight
1 Set w/Screws**



013-092
3" Door Holdback



013-092-B
3" Door Holdback
Plunger Only



013-094
4-3/4" Door Holdback



013-192
Metal Socket for
092/093/094/095



013-093
3" Angle Door Holdback
Holdback



013-093-B
3" Angle Door Holdback
Plunger Only



013-095
4-3/4" Angle Door Holdback

**Metal Door Holdback
Angle
1 Set w/Screws**



013-058
Rubber Replacement (1)

Also see page 13 in Service Catalog



Upgrade Your
Door Window

Directly Replaces Existing
Window & Frame
Or Add To Door With
No Window

Easily installs with only
a screwdriver

MADE IN THE USA



015-2014782
Slim Shade™ Window
Frame Only
Black



015-201496
Tinted Window Glass
12-1/2" x 21"
Black



015-201502
Slim Shade™ Replacement
Shade Only
Black

SLIM SHADE™

Shade When
You Need It

See Out When
You Want It



015-201512
Slim Shade™ Complete Unit
Black

Door Locks, Latches, & Stops

Entrance Lock Set Knob-Knob

May be used as 2-3/8" or 2-3/4" backset, includes both standard and drive-in latches. Offered in Polish Brass or Stainless Steel Finish.

- 013-220** Entrance Lock Set Knob - Knob Polish Brass Finish
013-220-SS Entrance Lock Set Knob - Knob Stainless Steel



Combo Lock Set

Offers both a Knob-Knob and a Dead Bolt Lock with matching keys. May be used as a 2-3/8" or 2-3/4" backset, includes both standard and drive-in backsets. Offered in Polish Brass or Stainless Steel Finish.

- 013-234** Combo Lock Set Polish Brass Finish
013-234-SS Combo Lock Set Stainless Steel Finish



Privacy/Passage Lock Set

Privacy offers push button lock; passage does not. May be used as either a 2-3/8" or 2-3/4" backset. Offered in Stainless Steel or Polish Brass Finish. *Privacy Lock Set Shown Only*

- 013-202** Privacy Knob - Knob Polish Brass Finish
013-202-SS Privacy Knob - Knob Stainless Steel Finish
013-203 Passage Knob - Knob Polish Brass Finish
013-203-SS Passage Knob - Knob Stainless Steel Finish



Deadbolt Lock Set

Single Deadbolt may be used as a 2-3/8" or 2-3/4" backset. Includes both standard and drive latches. Offered in Polish Brass or Stainless Steel Finish.

- 013-222** Dead Bolt Single Polished Brass
013-222-SS Dead Bolt Single Stainless Steel



Entrance Lock Set Lever-Lever

Lever-Lever Entrance Lock may be used as 2-3/8" or 2-3/4" backset, includes both standard & drive in latches. Offered in privacy only.

- 013-231** Lever Style Privacy Lock - Brass



Bath Door Latch Low Pro

1 Set w/Screws

- 013-063**
Bath Door Latch Brass



Bath Door Privacy Latch

1 Set

- 013-108**
Plastic Privacy Latch



Plastic Flush Mount Latch w/Strike & Screws

- 013-015**
Flush Mount Latch - Brown

- 013-015-T**
Flush Mount Latch - Tan



Door Stops

- 013-193-SP** Floor Mount - Satin Pewter (1/Ctn)
013-193-AB Floor Mount - Antique Brass (1/Ctn)
013-193-OB Floor Mount - Oiled Bronze (1/Ctn)



RV & MH Hardware

Window Crank Handles

Part#	Size	Description	Color	Qty
013-408	3/4"	Plastic w/Screw	Beige	1
013-408-4	3/4"	Plastic w/Screw	Beige	4
013-408B	3/4"	Plastic w/Screw	Black	1
013-408B-4	3/4"	Plastic w/Screw	Black	4
013-408W	3/4"	Plastic w/Screw	White	1
013-185	1"	Metal		1
013-185-2	1"	Metal		2
013-410	1-1/4"	Plastic w/Screw	Beige	1
013-410-4	1-1/4"	Plastic w/Screw	Beige	4
013-410B	1-1/4"	Plastic w/Screw	Black	1
013-410B-4	1-1/4"	Plastic w/Screw	Black	4
013-184	1-3/4"	Metal		1
013-184-2	1-3/4"	Metal		2
013-409	1-3/4"	Plastic w/Screw	Beige	1
013-409-4	1-3/4"	Plastic w/Screw	Beige	4
013-409B	1-3/4"	Plastic w/Screw	Black	1
013-409B-4	1-3/4"	Plastic w/Screw	Black	4
013-409W	1-3/4"	Plastic w/Screw	White	1
013-407	2-3/16"	Plastic w/Screw	Beige	1
013-407-4	2-3/16"	Plastic w/Screw	Beige	4
013-407B	2-3/16"	Plastic w/Screw	Black	1
013-407B-4	2-3/16"	Plastic w/Screw	Black	4
013-405	3"	Plastic w/Screw	Beige	1
013-405-4	3"	Plastic w/Screw	Beige	4
013-405B	3"	Plastic w/Screw	Black	1
013-405B-4	3"	Plastic w/Screw	Black	4
013-405W	3"	Plastic w/Screw	White	1



Plastic Window Crank Handle Extension

Part#	Size	Description	Color	Qty
013-422	2"	Plastic Crank Extension	Beige	1
013-422B	2"	Plastic Crank Extension	Black	1
013-406	3"	Plastic Crank Extension	Beige	1
013-406B	3"	Plastic Crank Extension	Black	1



Round Window Crank Handles

Part#	Size	Description	Color
013-186	1"	Round Window Crank Handle w/Screws	Black
013-417-W	1"	Round Window Crank Handle w/Screws	White



Part#	Description	Shaft	Color	Qty
013-510	Window Knob - Short w/Screw	1/2"	White	1
013-511	Window Knob - Long w/Screw	1"	White	1
013-512	Window Knob - Short w/Screw	1/2"	Black	1
013-513	Window Knob - Long w/Screw	1"	Black	1
013-713	Mini Window Knob w/Screw		Black	1



Window Operators

013-183

Window Operator
1/4" Hub projection

013-182

Window Operator
5/8" Hub projection



Exit Window Latch

013-242

Exit Window Latch - RH

013-245

Exit Window Latch - LH



Folding Shelf Bracket

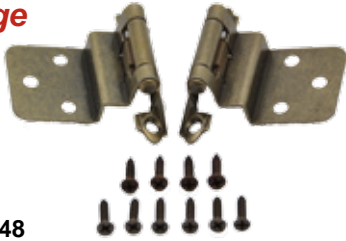
013-243

Brown



Hinges & Magnetic Catches

3/8" Offset Self-Closing Hinge



013-048
English 3/8" Offset Hinge
2 Sets

Self-Closing Hinge



013-045
English Self-Closing Hinge
2 Sets

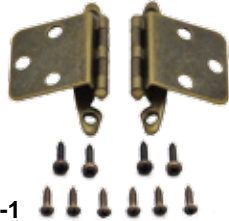


013-045-B
Brass Self-Closing Hinge
2 Sets

Non Self-Closing Hinge



013-049-B
Brass Non Self-Closing Hinge
2 Sets



013-049-1
English Non Self-Closing Hinge
1 Set
013-049
English Non Self-Closing Hinge
2 Sets

English Adjustable Hinge



013-053
Adjustable Hinge
2 Sets

Overhead Hinge



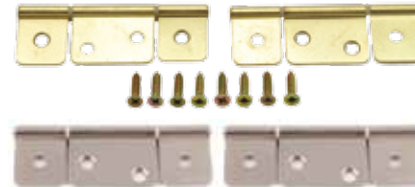
013-043
Overhead Hinge
2 Sets

Deluxe Non-Mortise Hinge



013-136
Brass 2/Ctn
013-136-SN
Satin Nickel 2/Ctn (no screws)

Non-Mortise Hinge



013-046
Brass 2/Ctn
013-046-SN
Satin Nickel 2/Ctn (no screws)

Non-Mortise Hinge



013-248
Non-Mortise Hinge w/ Extended Center -
Satin Nickel
2/Ctn (no screws)

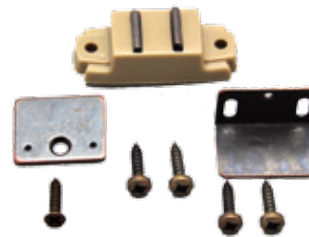
Concealed Magnetic Catch



013-012
Side Mount Magnetic Catch
w/ Flat Strike
2 Sets



013-013
Magnetic Catch w/ Flat Strike
2 Sets



013-030
Universal Magnetic Catch
1 Set



013-014-1
Magnetic Catch w/ L Strike
1 Set
013-014
Magnetic Catch w/ L Strike
2 Sets

Positive Catches

English Positive Thumb Catch - 1 Set



013-009
Thumb Catch
3/8" Strike



013-007
Thumb Catch
1/2" Strike



013-010
Thumb Catch
5/8" Strike



013-008
Thumb Catch
3/4" Strike

English Positive Thumb Catch - 1 Set



013-020
Thumb Catch
3/8" Strike



013-018
Thumb Catch
1/2" Strike



013-021
Thumb Catch
5/8" Strike



013-019
Thumb Catch
3/4" Strike

Concealed Positive Catch

Part#	Stem	Qty
013-024-1	5/8"	1
013-024	5/8"	2
013-028-1	3/4"	1
013-028	3/4"	2
013-025-1	7/8"	1
013-025	7/8"	2

Part#	Stem	Qty
013-022-1	1"	1
013-022	1"	2
013-027-1	1-1/4"	1
013-027	1-1/4"	2
013-023-1	1-3/8"	1
013-023	1-3/8"	2

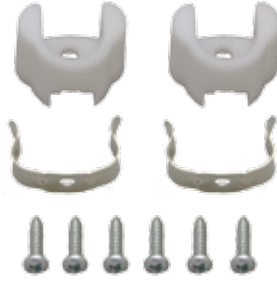


Catches

Friction Catches



013-037-1
Bulldog Catch
1 Set
013-037
Bulldog Catch
2 Sets



013-032
Friction Catch
2 Sets



013-066-1
Barrel Catch
1 Set
013-066
Barrel Catch
2 Sets
013-066-6
Barrel Catch
6 Sets

Roller Catches



013-017
Single Roller Catch
2 Sets



013-033-1
Single Roller Catch
1 Set
013-033
Single Roller Catch
2 Sets

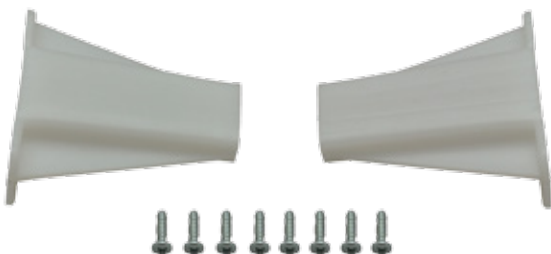


013-031
Double Roller Catch
2 Sets



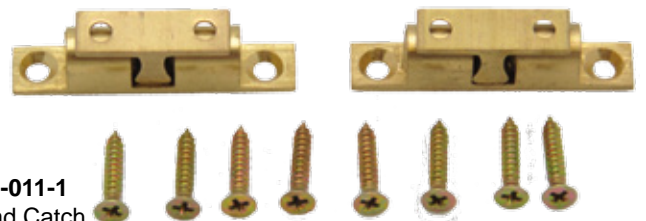
013-006-1
Double Roller Catch
1 Set
013-006
Double Roller Catch
2 Sets

Rear Socket With Screws



013-137
Left & Right

Brass Bead Catch



013-011-1
Bead Catch
1 Set
013-011
Bead Catch
2 Sets

RV & MH Hardware

**Baggage Door Holdbacks
Metal Stainless Steel 2 Sets**



013-106
110 Degree Door Holdback

**Baggage Door Holdbacks
Plastic Colors - 2 Sets**



013-097
110 Degree Door Holdback
Colonial White
013-097-W
110 Degree Door Holdback
White
013-097-BL
110 Degree Door Holdback
Black

Draw Pull Latch - Zinc



013-042
Draw Pull Latch Zinc
1 Set

Camper Latch - 1 Set



013-055
Locking Camper Latch
Zinc
013-055-W
Locking Camper Latch
White
013-258
Locking Camper Latch
Black

013-056-W
Non-Locking Camper Latch
White



Baggage Door Camlocks



013-180
Camlock 5/8" w/Key



013-181
Camlock 7/8" w/Key

**Adjustable Latch
for 5/16" Shaft**



013-131
3" Adjustable Latch



013-132
2" Adjustable Latch

RV & MH Hardware

Spring Door Support - Brass



013-057
Door Support
2 Sets

Brass Door Support - 1 Set



013-061
6-1/4" Door Support

Spring Door Support Plastic



013-096
Door Support
Black
2 Piece

013-096-1
Door Support
Black
1 Piece

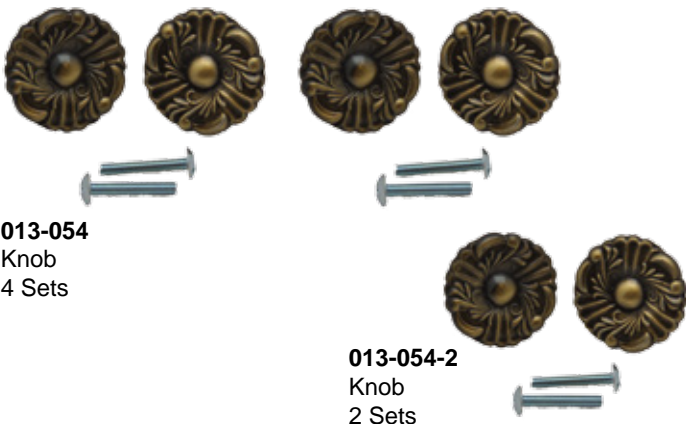
Bunk Latch With Flat Strike



013-081
Bunk Latch
Brass
1 Piece

013-081-E
Bunk Latch
English
1 Piece

English Knob

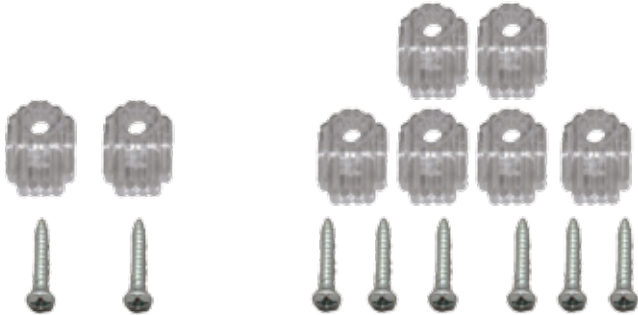


013-054
Knob
4 Sets

013-054-2
Knob
2 Sets

RV & MH Hardware

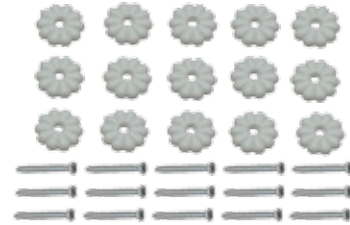
Mirror Clips



013-149
Clear Plastic Clips
2 Pieces

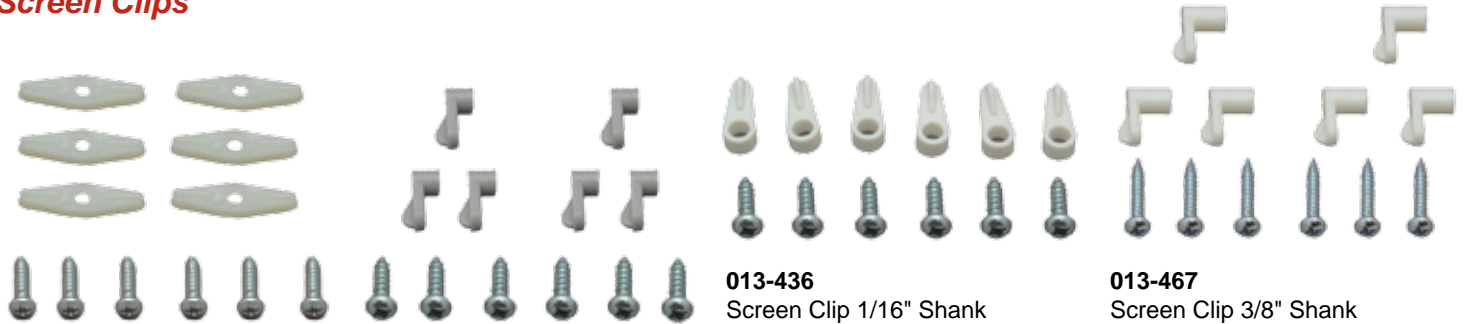
013-149-6
Clear Plastic Clips
6 Pieces

Rosettes With Screws



013-134
White Rosettes
15 Pack

Screen Clips



013-414
Double Wing Screen Clip
White
6 Pack

013-465
Screen Clip 3/16" Shank
Gray
6 Pack

013-436
Screen Clip 1/16" Shank
White
6 Pack
013-440
Screen Clip 5/16" Shank
White
6 Pack

013-467
Screen Clip 3/8" Shank
White
6 Pack
013-468
Screen Clip 7/16" Shank
White
6 Pack

3M Self-Stripping Electrical Pigtail Connectors



014-122084-100 100 Pack
014-122084-20 20 Pack
014-122084-5 5 Pack

Slide-Out Slicker



013-410051
Protect the carpet at both ends of a slide-out room from rain, dirt and wear.

RV & MH Hardware

Replacement Caps



013-213
Replacement Cap for City Water
(013-115 & 013-116)

Rivets



013-139
1" Plastic Rivet
Almond
25 Pack



013-140
1" Plastic Rivet
White
25 Pack

Air Diffusers & Outlets

**4" Rotaire Register 3840R
With Damper**



013-060
Walnut
013-062
Beige
013-068
White
013-638
Black

Flexible Air Duct



013-3100-M
4" x 25'
013-665
2" x 25'

Metal Floor Registers



Part #	Size	Overall Size	Color
013-640	2-1/4x10	3-5/8x11-3/8	<i>White</i>
013-641	2-1/4x10	3-5/8x11-3/8	<i>Brown</i>
013-625	4 x 8	5-1/4 x 10	<i>White</i>
013-626	4 x 8	5-1/4 x 10	<i>Brown</i>
013-627	4 x 10	5-1/4 x 12	<i>White</i>
013-628	4 x 10	5-1/4 x 12	<i>Brown</i>
013-629	4 x 12	5-1/4 x 14	<i>White</i>
013-630	4 x 12	5-1/4 x 14	<i>Brown</i>

Metal Face Plates



Part #	Size	Overall Size	Color
013-642	2-1/4x10	3-5/8x11-3/8	<i>White</i>
013-643	2-1/4x10	3-5/8x11-3/8	<i>Brown</i>
013-631	4 x 8	5-1/4 x 10	<i>White</i>
013-632	4 x 8	5-1/4 x 10	<i>Brown</i>
013-633	4 x 10	5-1/4 x 12	<i>White</i>
013-634	4 x 10	5-1/4 x 12	<i>Brown</i>



Table Legs & Support

Adjustable Table Leg Folding

Adjustable legs fold up for easy compact storage when not in use. Adjustments allow for universal applications, brown in color and made from Steel. 29 lb. weight capacity



- 013-070** Adjusts from 26" - 31-1/2" in 1/2" increments
- 013-135** Adjusts from 19-1/2" - 31-1/2" in 1" increments

Non Adjustable Table Leg Folding

This folding Leg offers a fixed length for those that do not need the adjustability. Brown in color and made of steel for long lasting support. Folds away flush for storage.



- 013-071** Leg measures 30-1/2" extended 30 lb. weight capacity
- 013-621** Leg measures 16" extended 100 lb. weight capacity

Table Hinge Bracket Kit

Heavy Metal Hinge swings up and down for support in both Table and Gaucho positions. No need for bedding box cleats. Buy as a complete Kit or, individual pieces as needed.



- 013-957** Complete Kit includes all pieces
- 013-958** Wire only
- 013-959** Wall Plate - 2 ea
- 013-960** Bracket Hinge - 2 ea
- 013-961** Table Plate - 2 ea

Folding Shelf Bracket

Fits any type of wall hung shelf. Ideal for heavy shelf loads. Top flange is 9" long and wall flange is 6" long. No other fill in or frames needed.



013-6090 Folding Shelf Bracket 2/Pack

Pedestal Table Legs & Bases

Pedestal Legs and Bases offer strong support for use with a table and easily stow out of the way when wanting to convert to a Gaucho. Chrome plated Legs feature tapered ends to securely fit into bases for steady fast support. Aluminum bases are offered in either Surface Mount or Recessed Models. All legs and bases come packaged 1 per.



- 013-913** 18" Leg Chrome
- 013-916** 21" Leg Chrome
- 013-926** 25-1/2" Leg Chrome
- 013-939** 27-1/2" Leg Chrome
- 013-939B** 27-1/2" Leg Black
- 013-951** 29-1/2" Leg Chrome
- 013-956** 31-1/2" Leg Chrome
- 013-1119** Round Surface Mount Base Chrome
- 013-1119B** Round Surface Mount Base Black
- 013-1112** Round Flush Mount Base Chrome
- 013-1112B** Round Flush Mount Base Black

Table Wall Mount Support

Table - Wall support bracket measures 30" in length and may be cut to desired length. Two pieces hinge together as one side mounts to wall and one side mounts to table. Slide units together and bracket provides strong secure support for removable table. Use with separate Table Leg.



013-164922 Table - Wall Support bracket

Folding Table Leg

Folding Table Leg offers strong support for table and folds away when using as Gaucho. Large attachment base measures 4-1/2" x 4-7/8". Leg measures 30-1/2" long and offers positive lock in both positions with convenient release latch.



013-251 Folding Table Leg

Folding Table Bracket

Small compact design offers strong support in a smaller space. 1-1/2" wide by 2-1/2".



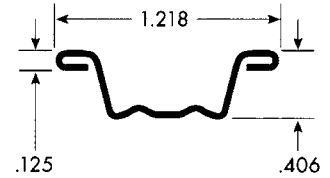
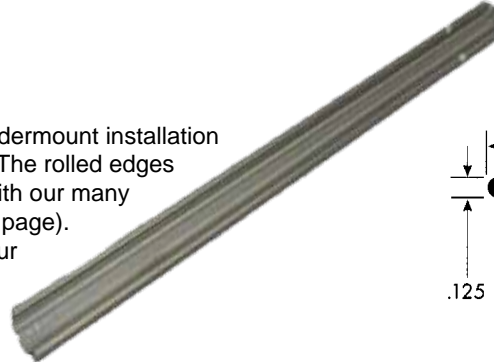
013-250 Folding Table Bracket, 4/pk

Grace Drawer Hardware

Drawer Slide System

800 SERIES GRACE DRAWER SLIDE SYSTEM
 013-207 (21-1/2")
 013-208 (24")

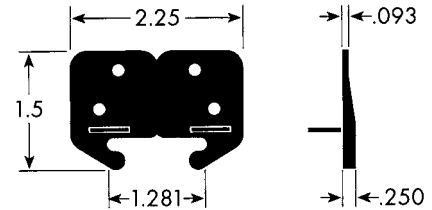
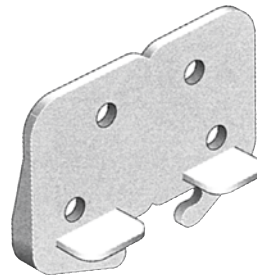
The 800 Series Drawer Slide System features fast and easy undermount installation coupled with smooth drawer action at a truly economical price. The rolled edges of the 800 Series Rail provide greater strength when coupled with our many varied component parts and mounting options (featured on this page). This rail provides a versatile drawer slide system adapted to your specific needs.



Plastic Components

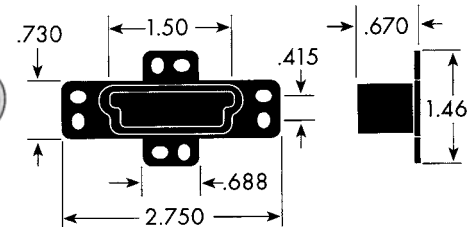
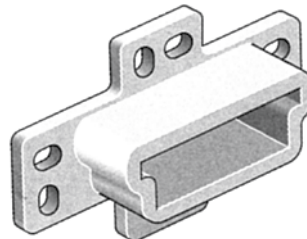
013-209 GRACE Model No. 100 Backplate (6 pcs)

This natural-color, HDPE backplate is used with our 800 Series Rail. Molded mounting holes, height alignment tabs, and centering guides provide for easy screw or staple installation.



013-210 GRACE Model No. 110 Socket (6 pcs)

Provides for secure attachment of our 800 Series Rail to the case back or framing member. Molded mounting slots for easy screw or staple installation. Socket depth allows for rail length adjustment up to .375 inch.



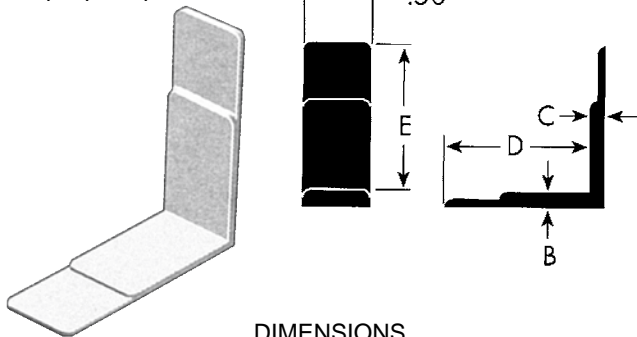
Tech Tip

Our model No. 110 Socket is designed for use in two orientations. the socket may be anchored so as to provide side-to-side adjustability, or inverted for precision alignment.

Corner Glide

013-211 GRACE Model No. 200 Corner Glide

This corner glide possesses superior wear and lubricity for smooth and quiet drawer action. Easy staple installation through the staple pads provided.



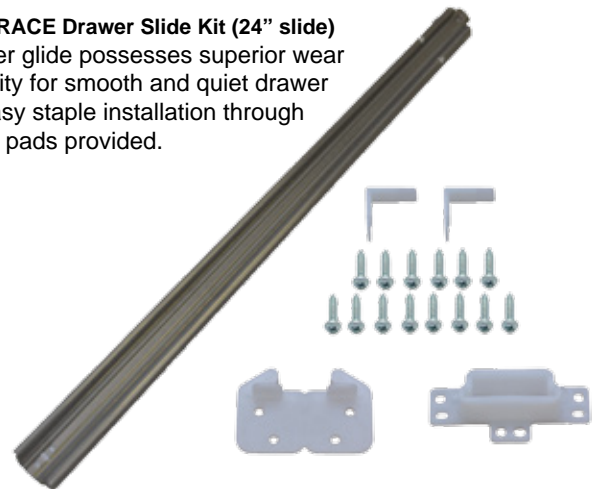
DIMENSIONS

Model	B	C	D	E	Weight/1000
200	0.093	0.093	0.969	0.969	3 lbs.

Drawer Slide Kit

013-212 GRACE Drawer Slide Kit (24" slide)

This corner glide possesses superior wear and lubricity for smooth and quiet drawer action. Easy staple installation through the staple pads provided.



Also available
 013-227 GRACE Drawer Slide Kit (21 1/2" slide)

Delta Drawer Guides

Hanger & Drawer Guide Sets w/Screws

013-083
22-1/2" Drawer Guide



Delta Drawer Slide

013-102
24" Drawer Slide



013-103
21-1/2" Drawer Slide



DELTA Roller Pad

013-107
Roller Pads
6 pack
Standard Base for all
universal applications



Deluxe Drawer Guide

013-082-6
Deluxe Drawer Guide
6/Ctn



DELTA Travel Stop

013-109
DELTA Travel Stop
1 Piece



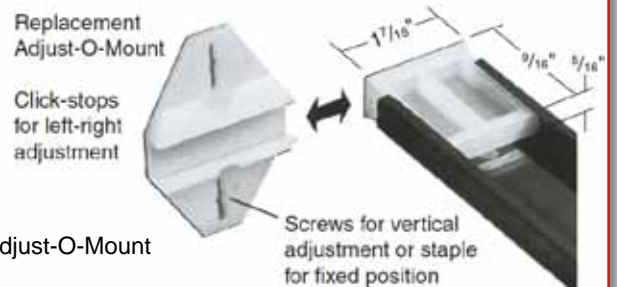
DELTA Drawer Plate

013-110
DELTA Drawer Plate



DELTA Adjust-O-Mount

013-111
DELTA Adjust-O-Mount
1 Piece



Grayline Housewares



004-213 Plate Rack



004-710 Jumbo Helper Shelf



004-702 Extendible Helper Shelf



004-201 Bowl & Saucer Stack & Tote



004-322 Twin Sink Saver



004-220 Garbage Bag Kaddy



004-231 Wrap Rack (Door or Wall)



004-259 12 Can Beverage Dispenser



004-225 Waste Basket



004-505 Spice Rack



004-506 Double Spice Rack

Grayline Housewares



004-500 Medium Cabinet Rack



004-1102 Handy Portable Shower Caddy



004-1722 Compact Over The Door Towel Bar





004-501 Large Cabinet Rack



004-310 Double Towel Bar





004-1723 Narrow Back-Of-the Door Towel Bar

Shelf Hog

004-514

The premier organizational product for today's RV. The Shelf Hog holds everything in place - stabilizing the contents of refrigerators, cabinets, and all other storage spaces. Simply inflate to the size necessary to fill empty spaces between or on top of items and hog up the extra space. The fatter the Shelf Hog is the tighter it holds. Easy to store and clean.

Gas Props & Accessories

AP Products Hardware Gas Springs

Suspa No.	Part No.	P1 Force	Stroke Length	Extended Length C/L	Refer to Fit Chart
C-16-26210	010-612	15 lb	2.25"	7.50"	
C-16-03213	010-224	13 lb	3.10"	9.80"	1
C-16-10334	010-226	22 lb	3.10"	9.80"	1
C-16-17522	010-177	55 lb	3.15"	9.84"	7-8
C-16-09322	010-178	40 lb	3.15"	9.84"	1
C-16-09903	010-255	24 lb	3.94"	11.57"	8-2
C-16-03795	010-065	24 lb	3.94"	12.20"	1-2-6
C-16-11028	010-112	40 lb	3.94"	12.20"	1
C-16-13313	010-175	30 lb	3.94"	12.20"	6-1
C-16-02716	010-176	13 lb	3.94"	12.20"	8
C-16-10788	010-195	35 lb	3.94"	12.20"	1
C-16-12107	010-636	100 lb	3.94"	12.20"	
C-16-22360	010-143	35 lb	4.92"	13.03"	1
C-16-08584	010-072	60 lb	5.47"	13.98"	1
C-16-10176	010-076	35 lb	5.47"	13.98"	1
C-16-09461	010-173	40 lb	5.47"	13.98"	1
C-16-06389	010-174	24 lb	5.47"	13.98"	1
C-16-11543	010-130	40 lb	4.92"	14.53"	1
C-16-22127	010-196	50 lb	5.47"	15.08"	1
C-16-08941	010-254	28 lb	6.30"	15.71"	1
C-16-21945	010-142	20 lb	6.46"	15.98"	1
C-16-21949	010-189	60 lb	6.46"	15.98"	1
C-16-06867	010-050	60 lb	6.30"	17.13"	1
C-16-02648	010-073	35 lb	6.30"	17.13"	1-6
C-16-06874	010-074	40 lb	6.30"	17.13"	1-6
C-16-04445	010-075	55 lb	6.30"	17.13"	1
C-16-08789	010-170	79 lb	6.30"	17.13"	1
C-16-02622	010-172	28 lb	6.30"	17.13"	1-6
C-16-15645	010-225	20 lb	6.30"	17.13"	1-9
C-16-04270	010-253	45 lb	6.30"	17.13"	1
C-16-21871	010-602	100 lb	12.80"	29.75"	

Suspa No.	Part No.	P1 Force	Stroke Length	Extended Length C/L	Refer to Fit Chart
C-16-06889	010-624	97 lb	6.30"	17.13"	
C-16-21947	010-144	30 lb	7.28"	17.48"	1
C-16-21948	010-146	45 lb	7.28"	17.48"	1
C-16-20651	010-623	40 lb	7.87"	18.70"	
C-16-08054	010-051	100 lb	7.87"	19.69"	1-5-2
C-16-08053	010-077	80 lb	7.87"	19.69"	1-5-2
C-16-17566	010-164	150 lb	7.87"	19.69"	1-5-2
C-16-08376	010-165	135 lb	7.87"	19.69"	
C-16-17796	010-167	110 lb	7.87"	19.69"	1-5-2-3
C-16-08260	010-168	60 lb	7.87"	19.69"	1-5-2-3
C-16-08316	010-169	40 lb	7.87"	19.69"	1-2-5
C-16-08055	010-171	120 lb	7.87"	19.69"	1-5-2
C-16-09786	010-197	30 lb	7.87"	19.69"	1
C-16-22411	010-521	180 lb	7.87"	19.69"	1
C-16-19222	010-603	90 lb	7.87"	19.69"	5
C-16-24764	010-608	13 lb	7.87"	19.69"	
C-16-08568	010-609	20 lb	7.87"	19.69"	
C-16-21950	010-190	60 lb	8.86"	20.83"	5
C-16-04650	010-293	160 lb	7.87"	21.00"	5
C-16-12181	010-158	150 lb	10.24"	26.34"	1
C-16-12038	010-159	120 lb	10.24"	26.34"	1
C-16-12666	010-160	100 lb	10.24"	26.34"	1
C-16-13334	010-161	87 lb	10.24"	26.34"	5
C-16-12492	010-162	74 lb	10.24"	26.34"	5
C-16-16142	010-163	60 lb	10.24"	26.34"	
C-16-20373	010-522	40 lb	12.24"	26.34"	1-5-7
C-16-13677	010-604	200 lb	11.81"	28.07"	4-7
C-16-23717	010-610	100 lb	12.38"	28.00"	
C-16-21871	010-602	100 lb	12.80"	29.75"	
C-16-10944	010-155	80 lb	16.14"	35.43"	5
C-16-10198	010-156	60 lb	16.14"	35.43"	5

Fit Chart

- | | |
|----------------------------|-----------------------------|
| 1) MH - Motor Homes | 5) TL - Truck Lids |
| 2) TT - Travel Trailer | 6) Truck Cap Door / Windows |
| 3) TC - Tent Camper | 7) Cargo Trailer |
| 4) ST - Snowmobile Trailer | 8) Catering Truck |
| | 9) Goshen Coach |

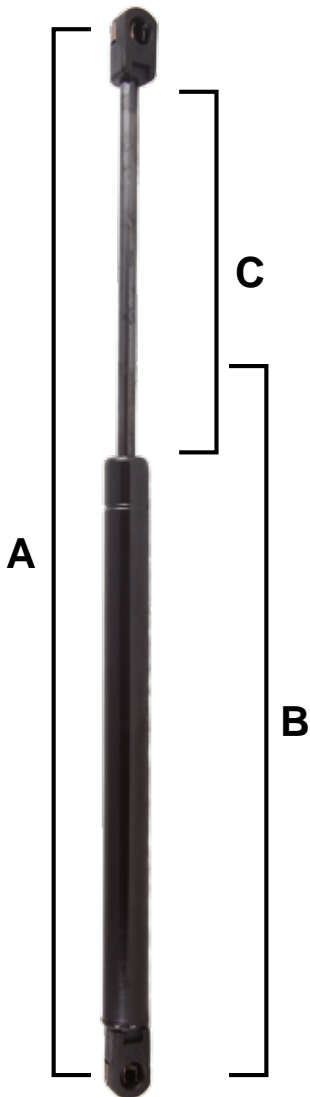
Gas Props & Accessories

MEASUREMENTS

All lengths are measured from center to center of the cylinders end fittings.

A) is the extended length
B) is the compressed length
C) is the stroke length

The weight measurement should be stated on the chamber.



Installation Instructions

Have someone hold the hatch, hood, trunk, or rear window open while replacing the lift support. Do not use a prop.

Before removing the old lift support, examine any hardware provided to determine which components must be reused.

The new lift support must be installed in the same position as the one which was removed. Do not scratch rod.

When installing the rod, the chamber side must be placed upward while the rod side is down.

Removable Ball Connectors

Remove old lift support by prying off the retaining ring, cap lock, or the security lock ring.

Press new lift support onto ball stud and properly install retainer.

End Fittings



10mm Plastic Ball Socket w/ Integral Clip

010-233
fits 10" to 20" Prop

010-232
fits 21" to 36" Prop



8mm (5/16") Eyelet Style w/ Plastic Bushing Hole and Width .709" (18mm)

010-523
fits 10" to 20" Prop
(2/Ctn)

010-524
fits 21" to 36" Prop
(2/Ctn)

Gas Prop Brackets / Ball Studs

010-079
3/4" L Shaped
10mm Ball Stud
(1/Ctn)
010-079-2
(2/Ctn)



010-187
Hat Shaped Slotted
10mm Ball Stud
(1/Ctn)
010-187-2
(2/Ctn)



010-145
1-1/4" L Shaped
10mm Ball Stud
(1/Ctn)
010-145-2
(2/Ctn)



010-080
10mm Ball
(1/Ctn)
010-080-2
10mm Ball
(2/Ctn)
010-525-2
13mm Ball
(2/Ctn)



010-188
3" L Shaped
10mm Ball Stud
(1/Ctn)
010-188-2
(2/Ctn)



010-078
Flat Shaped
10mm Ball Stud
(1/Ctn)
010-078-2
(2/Ctn)



Adhesives

Automotive Black Silicone



Part No. 002-27039
Quantity 85 g
12/ctn

1200 Series Clear Silicone



Part No. 002-12007
Quantity 14 fl. oz.
24/ctn

1200 Series Black Silicone



Part No. 002-12270
Quantity 14 fl. oz.
24/ctn

Bulb Grease



Part No. 002-85184
Quantity 3 oz.
6/ctn

Black Silicone



Part No. 002-27039
Quantity 3 oz.
12/ctn

Fuel Tank Repair Kit



Part No. 002-90180
Quantity 30 g
6/ctn

Plastic Welding System



Part No. 002-47809
Quantity 25 ml
6/ctn

Flowable Windshield Silicone



Part No. 002-75009
Quantity 12/ctn

Yellow Weatherstrip Adhesive



Part No. 002-80050
Quantity 5 fl. oz.
12/ctn



Adhesives

Self-Fusing Silicone Tape



Part No. 002-82112
Quantity 6/ctn

Self-Fusing Silicone Tape High Temp Range



Part No. 002-82114
Quantity 6/ctn

WrapIt™ Repair Silicone Tape



Part No. 002-82110
Quantity 6/ctn

Threadlock Blue



Part No. 002-24536
Quantity 36 ml 12/ctn

Plastic Tank Repair Kit



Part No. 002-90214
Quantity 30 g 6/ctn

Fiberglass, Porcelain, & Plastic Repair Kit



Part No. 002-90216
Quantity 30 g 6/ctn

Threadlock Red



Part No. 002-27536
Quantity 36 ml 12/ctn

H2 Hold™ Underwater Epoxy



Part No. 002-22445
Quantity 25 ml 6/ctn

Flow Mix® Cold Weld Epoxy



Part No. 002-24445
Quantity 14 ml 6/ctn

Clear Weld Epoxy



Part No. 002-47609
Quantity 25 ML 6/ctn

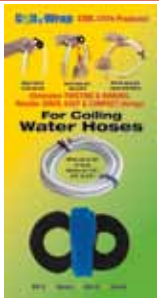
Flow-Mix® Plastic Welder



Part No. 002-47829
Quantity 14 ml 6/ctn

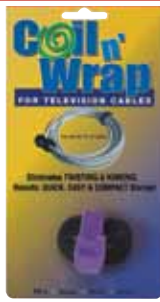
COIL N' WRAP Products

Water Hose Coiler



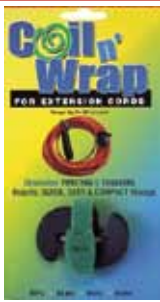
Part No. 006-1
Quantity 12/ctn

TV Cable Coiler




Part No. 006-2
Quantity 12/ctn

16 Gauge Extension Cord Coiler



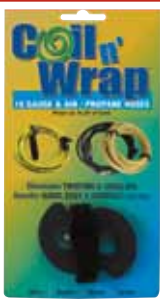
Part No. 006-3

30 Amp Electrical Cable Coiler




Part No. 006-4

10 Gauge Cords, Air & Propane Hoses Coiler



Part No. 006-5

12-14 Gauge Extension Cord Coiler



Part No. 006-43

Awning Cinch Straps



Part No. 006-6

Main/Patio Awning Pull Strap 96"



Part No. 006-17

Window Awning Pull Strap



Part No. 006-18

Awning Hangers



Part No. 006-20
Quantity 12/ctn

Clip n' Clamps



Part No. 006-21
Quantity 12/ctn

Velcro One Wrap Buckle Straps 6 Pack



Part No. 006-7
Quantity 12/ctn

Grommet Strap 18" Long - 1/pkg



Part No. 006-37
Quantity 12/ctn

Hi Temp Sticky Back Hook & Loop



Part No. 006-71
Quantity 12/ctn

Wonder Wrap (Singles)



Part No. 006-73
Quantity 12/ctn

COIL N' WRAP Products

16" Clinch Straps



Part No.
006-75
Quantity
12/ctn

Heavy Duty Carry Strap



Part No.
006-8

Bling Bling Blinker 6-Pack



2 each of Jade & Pink,
Blue & White, and Red,
White & Blue
Part No.
006-85-6

30 Amp Plug Dog 3 Prong



Part No.
006-15

50 Amp Plug Dog 4 Prong



Part No.
006-16

Bling Bling Blinker Display 36 Units



Part No.
006-85
Quantity
2/ctn

Light Check & Safety Plug



Part No.
006-114
Quantity
12/ctn

Shower Shut Off Valve



Part No.
006-112
Quantity
12/ctn

Water Check Test Kit Display 12 Units



Part No.
006-115
Quantity
12/ctn

Xtreme Vent Coupler Kit



Part No.
006-99

Bugs 'R Off Cleaner 2 Pack



Part No.
006-113
Quantity
10/ctn

Xtreme Vent Grey



Part No.
006-80
Quantity
10/ctn

Xtreme Vent White



Part No.
006-79
Quantity
10/ctn

Plug-Guard  **Total Plug Protection**

Clean, efficient and secure protection from the elements for the male plug of your trailer's wiring harness, while the trailer is not in use. Plug Guards attach to the hitch frame or to the 5th wheel box with two self rapping screws (included).



008-324
4-way Plug-Guard™

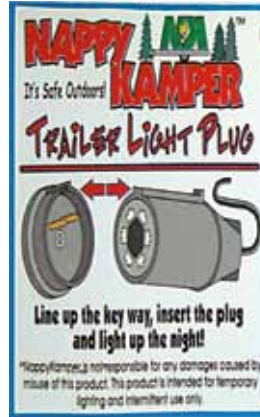


008-326
6-way Plug-Guard™



008-320
7-way Plug-Guard™

Nappy Kamper **Trailer Light Plug**



No tools or batteries needed. This unique device reroutes your battery charge line to light up your running lights on your trailer. Ideal for when you are plugged into Shore Power AC hook up. You will enjoy the festive light atmosphere as well as the safety of added light.



008-100 Trailer Light Plug

Fusion Wrap

Quick Emergency Repairs
No Adhesives
Bonds Only To Itself... Even If Wet!
Extreme Temperature Resistant
90°C to 260°C (550°F)
Insulates to 12,000 Volts
Uses for Wrap-id: Indoor/Outdoor, Electrical/Plumbing, House and Shop, Automotive/Trucking, RV/Marine, Sport/Tool Handle Grip Wraps and Cable Wraps



006-WFP2012
Fusion Wrap 12' Roll



006-WFP2036
Fusion Wrap 36' Roll



006-WS25
Wrap-id Smooth 25' Roll

Super RV Jack Pad



- Great for every RV Owner in preventing the jack legs from sinking into the ground.
- Available in 2 packs or 4 packs
- Dimensions: 10" x 14" x 0.75" Thick
- Five Year Replacement Warranty
- Lightweight and easy to use
- Tested to handle 40,000 lbs.

007-27257 2 Pack
007-47257 4 Pack

Super Dolly Trailer



- The Super Dolly Trailer & Bus pad provides a safe and easy way to prevent stabilizer legs from sinking into the ground.
- Dimensions: 15" x 17" x 1" Thick
- Five Year Replacement Warranty
- Tested to handle 100,000 lbs.
- Use Perforated Side Up (Smooth Side Down)

007-87825 2 Pack

A mouse or rat problem in your RV is not only annoying, it can also be hazardous.

If mice or rats have infested your 'getaway', then your vehicle is prone to the expensive damage resulting from them chewing through wiring and nesting in vital components. Even worse, you and your family could be prone to offensive odors, potential messes and even disease.

Fresh Cab botanical rodent repellent is a 100% natural blend of corn cob chips, plants and herbal extracts that freshens and protects. Our all-natural repellent has the ability to repel mice & rats in leisure vehicles and hunting equipment and has been:

- Proven by several independent studies
- Registered by the federal EPA
- Awarded the USDA Green Seal of Approval

How it Works

Fresh Cab Pouches are made with a natural blend of plant fiber and botanical extracts that rodents find offensive, but people find pleasant. Simply place pouches in your recreational vehicles and property, depending on size and components, to immediately start controlling your mouse problem.



Fresh Cab

- 020-126**
U.S. Version
4 Pouches per Box
- 020-127**
Canadian Version
(meets local codes)
4 Pouches per Box
- 020-129**
12 Pack Clip Strip
U.S. Version
1 Pouch per Box
- 020-128**
8 Pack Display Tray
U.S. Version
1 Pouch per Box



Place where food particles are present. Keeps ants out by emitting a scent pleasant to people, but offensive to super-sensitive ants.

002-130
Stay Away® Ants



Place around windows, doors, or anywhere you want to keep beetles and bugs from entering. Emits a rosemary sent that sends them back outdoors.

002-131
Stay Away® Beetles



Moths seek quiet, undisturbed areas to lay their eggs. Place pouches in these areas to protect your garmets. Pouches emit a scent pleasant to humans, but offensive to moths.

002-132
Stay Away® Moths



Place pouches to disrupt a spider's sophisticated senses, keeping them out of treated areas with a scent pleasant to humans, but offensive to spiders.

002-133
Stay Away® Spiders

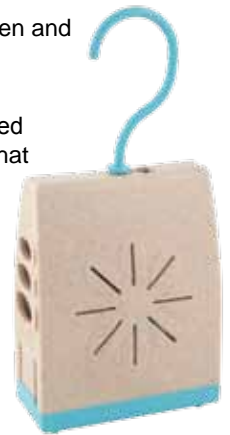
Stay Away®

Stay Away® Pouch Pod™

Preserves the essential oils for up to 3x longer

Prevents curious children and pets from tampering with pouch

Protects finished wooded surfaces and clothing that may be affected by essential oils



002-134
Stay Away® Pouch Pod™



008-644
Climate Bug Shield
Hatch Door Seal
Seals gap between Electrical Cord and Hatch Door



008-646
Climate Bug Shield
Hatch Door Seal- Blank
Seals Hatch Door hole when not using cord



008-645
Climate Bug Shield
Hatch Door Seal- Round
Seals hole where Electrical Cord exits Hatch

Bug Shield



Trailer/RV Shield keeps bugs, mice, and weather from infiltrating your living quarters. High quality, long lasting rubber. Made in the USA.

Star Lights - LED Lighting Solutions

Brilliant Light Fixture with LED Array Light fixture features advanced LED Array for greater light output, longer life and less power consumption than conventional incandescent bulbs. Fixture comes with standard "on/off switch" module. Additional modules may be purchased separately in order to add custom features/ Pick and choose the features that best suit your situation or environment.

Customizable Ceiling Light Brilliant Light 3002



016-BL3002 (4200K)
Single LED Light Fixture
016-BL3000
Single Incandescent Light Fixture
(5 1/4"H x 8 1/2"W x 2"D)

Customizable Ceiling Light Brilliant Light 3003



016-BL3003 (4200K)
Dual LED Light Fixture
016-BL3001
Dual Incandescent Light Fixture
(5 1/4"H x 12"W x 2"D)

Brilliant Modules/Accessories

Brilliant Modules are designed to be used with any Brilliant fixture. Select a module that offers the specific feature you desire and simply plug it into your fixture. Modules will allow you to enhance your fixture capabilities with features such as dimmer, motion light, etc...



Dimmer Dial

Enables user to adjust brightness of light output to meet desired effect.
016-BL3004



Night Light

Gives fixture a soft light at night allowing you to move about without disturbing others.
016-BL3005



Motion Detector

Enables fixture with motion sensing capabilities. Light will automatically come on at night when motion is detected.
016-BL3006



PCB Adapter

Allows you to insert a variety of custom modules, including a dimmer dial, led night light, motion sensor and more.
016-BL3007



Day/Night Sensor

Light will come on automatically at night time and turn off automatically when day time arrives.
016-BL3008



Replacement Lens

Replacement lens for Brilliant Light Single and Dual Dome Lights.
016-BL3009



12 Volt Jack

Can be inserted into any Brilliant Light Fixture. The module will power bunk lights, fans, and many other 12 volt accessories.
016-BL3010



Replacement LED

(4200K) **016-BL250**
Also available in 300 lumens (4200K) **016-BL300**

Star Lights - Exterior/Interior Light Fixtures

12v Exterior Lighting Replacement Scare Light 2000

Flush mount easy install replacement scare light fixture. DOT compliant and LED compatible. May be connected with any motion activated Smart Light to turn on and off simultaneously (using the 2000FB fused switch box).
 9 1/4"H x 11 1/4"W x 2 1/4"D
016-RSL2000 WHITE
016-RSL2000B BLACK



Solarian LED Round Light Fixture

Surface mount interior LED replacement fixture. Produces 330 LMS of warm light. State of the art PWM ensures voltage spikes will not damage the unit (8-30 volts). Specially designed lens disperses light evenly allowing the entire face to glow. Simple 2 wire installation. Low profile.
 5"R x 1"D
016-SON 102 BLACK
016-SON 103 WHITE
016-SON 104 BRUSHED NICKEL



Motion Activated Lighting Fixtures



Illuminates those areas around your RV for safety and security. Motion range can be set for 10-25 feet. Installs easily, uses same hole pattern and wiring as most standard lights. Star Monitor indicates RV's battery condition and helps preserve your coach battery.
 4 1/4"H x 10"W x 2"D
016-SL1000 WHITE
016-SL1000B BLACK
016-RL1000 CLEAR LENS KIT
016-AL1000 AMBER LENS KIT
 9 1/4"H x 12 1/4"W x 2"D
016-SL2000 WHITE
016-SL2000B BLACK
016-RL2000 CLEAR LENS KIT
016-AL2000 AMBER LENS KIT

LED Motion Sensor Light Fixture Solarion 300™

Motion activated, surface mounted ceiling replacement LED light fixture. 2-way switch allows for continuous on or motion activated mode. Simple two wire installation. Long Life- unit will last 50,000 hours. 330 lumens; 3200 kelvins; 3.599 watts; 8-30 voltage. For interior use only.
016-SON 300 WHITE
016-SON 301 BRUSHED NICKEL



Universal 12v Dimmer Switch Brilliant Light 4000™

This universal dimmer switch will dim any 12 volt LED or incandescent fixture. Dims multiple lights on the same circuit. Unit will dim from 12 to 0 volts. Internal fuse protection. Smooth incremental dimming stages create an even and pleasant light at any level. For interior use only. Dimmer can be reset by holding the switch in down position for 5 seconds.
016-BL4000 BLACK
016-BL4001 WHITE



Amberizer Anti Bug Bulb

Can be used with 1000 or 2000 Light Series. 2 Pack
016-AB10



Fused Relay Box

Synchronizes lighting fixtures and other electrical components to safely turn on and off simultaneously.
016-2000FB



Revolution SL-5000 RGB Color Changing LED Strip Light

Revolution 5000 LED Strip Light- RF Controller

Red industrial strength 3M tape ensures the light will adhere to nearly any surface. PU glue is water and UV resistant. Customizable- can be cut every 2 inches to desired length. Remote can program the light to dim, fade, strobe, change color and more.
 3mm Thickness, RF Control, 16' Long
016-SL-5100



Strip Light Connector Kit

10 piece strip light connector kit. Customize your strip lights by cutting, splicing, and extending the rope light with the help of this kit.
016-SL5001



Music Box

The patented program allows your lights to turn on and off to the beat of the music. Lights will illuminate a single color, or multiple variations if chosen. Dial allows for many strobe patterns and speeds.
016-SL5002



Strip Light 110 Adapter

110v AC/12 v DC adapter. Universal plug allows high power 12 volt DC items to operate on 110v AC power. Compatible with LED light strips, and many other DC applications.
 5 amp max.
016-SL5004



Strip Light Controller

Strip light remote control and IR RGB receiver. This remote can control the rope lights' brightness, color (16 different colors), or lighting effects- such as strobe, dim, fade and more. May be used on nearly any 12 volt strip/rope light.
016-SL5003



Controller Battery

Universal 3 volt lithium replacement battery.
016-CR2025



Star Lights - 12V Interior Replacement Bulbs & Lighting Fixtures

921-160/250

Patented design allows all 250 LMS of light to be directed where the light is needed. State of the art PWM (8-30v). Produces a warm light, and is available in 160 LMS option.
016-921-160 (3200K)
016-921-250 (3200K)



1141-150/200/300

Patented rotating design allows the light to be directed. State of the art PWM (8-30v). Available in cool and warm white, as well as white and black housings.
016-1141-150 (6500K)
016-1141-200 (6500K)
016-1141-200B (6500K)
016-1141-250 (3200K)
016-1141-300 (6500K)
016-1141-300B (6500K)



921-280/290

Fully dimmable, no EMI omnidirectional replacement. interior, exterior back up and brake lights. Available in cool white, warm white, and red.
016-921-280 (3200)
016-921-280R (RED)
016-921-290 (6500)



T8-18 & T8-15 LED

Patented quick connect wiring harness makes for easy installation, no need to cut out ballast or remove wires. State of the art PWM ensures voltage spikes will not damage the unit (9-25v). Extremely bright 810 LMS lasts 12 times longer. No mercury or other harmful chemicals. Runs cooler with no humming or buzzing. Produces a very clean, bright white light (85 CRI).
016-T818 18" LED
016-T512 12" LED



G4-160/205

Bi pin JC10 halogen replacement. Patented copper ribbon heat sync draws heat away from the components. Patented adjustable tilted housing allows for easy installation in small fixtures. State of the art PWM ensures voltage spikes will not damage the unit (8-30v). Available in side pin and back pin configurations.
016-G4-160SP (4200K) **016-G4205SP (4200K)**
016-G4160BP (4200K) **016-G4205BP (4200K)**



1141-350/400

Patented design allows the head to swivel. Available in warm and cool white. State of the art PWM ensures voltage spikes will not damage the unit (8-18v). Water proof design allows for interior and exterior use.
016-1141-350 (4100K)
016-1141-400 (6500K)



2099-230/270

Very bright frosted vanity bulb. State of the art PWM ensures voltage spikes will not damage the unit (8-30v). Available in cool and warm white.
016-2099-270 (3100)
016-2099-230 (6500)



1383-220/230

Standard BA15S base flood reading light. State of the art PWM ensures voltage spikes will not damage the unit (8-30v). Available in cool and warm white.
016-1383-220 (3100k)
016-1383-230 (6500k)



921-220/230

Wedge based flood reading light. State of the art PWM ensures voltage spikes will not damage the unit (8-30v). Available in cool and warm white.
016-921-220 (3100K)
016-921-230 (6500K)



1076-205/255

Dual contact single circuit dimmable omnidirectional replacement. No EMI.
016-1076-205 (3200K)
016-1076-255 (3200K)



Delux LED Cool White Bulb Replacements

SX T5

12" LED quick connect tube replacement.
 Lumens - 400
 Amp Draw - .340
016-781T5

SX T8

18" LED quick connect tube replacement.
 Lumens - 810
 Amp Draw - .326
016-781T8

SX G4

Bipin hogen replacement bulb. Replaces JC10
 Lumens - 135
 Amp Draw - .183
016-781G4

SX 921

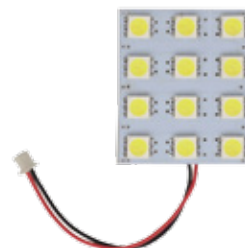
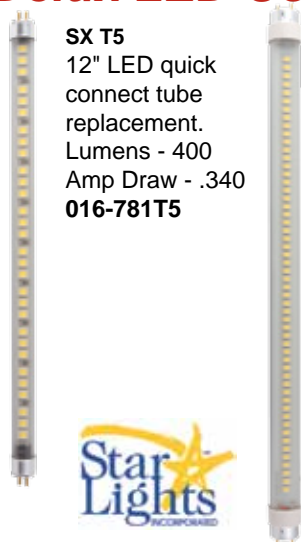
Wedge base LED replacement.
 Lumens - 135
 Amp Draw - .183
016-781921

SX 1000

Universal adaptor kit & light board. (Replaces 1156, 921 & 1036 festoon fitting.)
 Lumens - 230
 Amp Draw - .233
016-7811000

SX 1156

Bayonet LED replacement.
 Lumens - 150
 Amp Draw - .266
016-7811156



Star Lights - 12V Exterior Replacement Bulbs (EMI Free)

7440-280

2 pack single circuit tail light bulb.

- 016-7440-280 (6500K)
- 016-7440-280A (Amber)
- 016-7440-280R (Red)



7443-280

2 pack dual circuit tail light bulb.

- 016-7443-280 (6500K)
- 016-7443-280A (Amber)
- 016-7443-280R (Red)



1141-280/290

1 pack single circuit tail light bulb

- 016-1141-280 (3200K)
- 016-1141-280R (Red)
- 016-1141-290 (6500K)



3157-280

2 pack dual circuit tail light bulb.

- 016-3157-280 (6500K)
- 016-3157-280A (Amber)
- 016-3157-280R (Red)



1156-170

2 pack single circuit tail light bulb.

- 016-1156-170 (6500K)
- 016-1156-170A (Amber)
- 016-1156-170R (Red)



1036-25

2 pack single circuit running light bulb.

- 016-1036-25 (6500K)
- 016-1036-25R (Red)



194-70

2 pack single circuit running light bulb.

- 016-194-70 (6500K)
- 016-194-70A (Amber)
- 016-194-70R (Red)



3156-280

2 pack single circuit tail light bulb.

- 016-3156-280 (6500K)
- 016-3156-280A (Amber)
- 016-3156-280R (Red)



1157-170

2 pack dual circuit tail light bulb.

- 016-1157-170 (6500K)
- 016-1157-170A (Amber)
- 016-1157-170R (Red)



LOAD RESISTOR

Simulates a filament bulb load in case of increase turn signal flash rate.

- 016-157LR



57-75

Replaces BA95 base 57 incandescent. Used for side marker, parking lights, instrument panel and more. 2 pack

- 016-57-75



Incandescent Bulb Replacements

57 BASE

016-02-57



194 BASE

016-02-194



921 BASE

016-02-921



JC 10 BASE

016-02-JC10



1036 BASE

016-02-1036



1003 BASE

016-02-1003



1156 BASE

016-02-1141-1156



1157 BASE

016-02-1157



1076 BASE

016-02-1076



1383 BASE

016-01-1383



2099 BASE

016-01-2099



3156 BASE

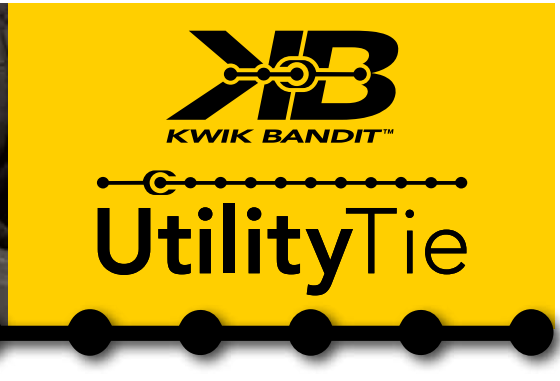
016-02-3156



3157 BASE

016-02-3157

BANDING THE WORLD TOGETHER.



KWIK BANDIT™ THE UTILITY TIE THAT YOU CAN'T LIVE WITHOUT, OR SHOULDN'T.

This easy connect system makes **Kwik Bandit™** very simple to use, just Stretch it, Wrap it and Lock it in place. If you spend any time outdoors then you need the best single piece of gear that has unlimited uses – **Kwik Bandit™**.

No knots to tie, and no rope to cut; replaces all bungee cords, zip ties and straps in your possession. Our product lasts longer than conventional binding and banding products, **Kwik Bandit™** stands strong, and is ready to use, again and again.

Available in 8, 14 and 24 inch lengths the **Kwik Bandit™** is super strong and resilient. Easy on the hands, no snap back like traditional bungee cords and are good in temperatures from -55°C to 120°C.



Available in 8, 14 and 24 inch lengths

Check out our introductory offer, and wrap your minds around this great new innovation.

STRETCH, WRAP, LOCK.



EASY TO USE



SAFER THAN ROPES

KWIK BANDIT™ Versatile, safe and easy to use banding product that is long lasting and reusable. **Stretch** it, **Wrap** it and **Lock** it in place.

Mini 008-7825



THE SMALLEST VERSION OF OUR PRODUCT LINE; COMPACT, EASY TO USE - PERFECT FOR QUICK, SMALL JOBS.

Made with a highly durable rubber compound that resists extreme weather, sun damage and repeat usage.

Kwik Bandit™ can be stored in a glove box, tool box, drawer or even your pocket. No cumbersome, knotted ropes, ratchets, or clumsy and dangerous bungee hooks. Great for around the house, shop, cottage, garden, and vineyard.

The Mini **Kwik Bandit™** has a 10lb. axial Work Load Limit (WLL), 8 inches in length, cord diameter of 1/8" and 1/4" ball stops.

Standard 008-7142



THE MID-SIZED **KWIK BANDIT™** IS LONGER AND PERFECT FOR TYING DOWN LOADS FOR TRANSPORT AND SECURING EQUIPMENT.

The standard **Kwik Bandit™** with the Lock Pin (UT14-2LP) option can be easily combined to form long chain of rubber bands which are ideal for securing small to medium sized sports equipment to a roof rack, organize musical equipment, yard and garden tools hang easily and quickly.

These easy to use locking straps require no knots or complex ratchet straps, just a simple **Stretch, Wrap, Lock.**

The Standard **Kwik Bandit™** has a 50lb. axial Work Load Limit (WLL), 14 inches in length, cord diameter of 1/4" and 1/2" ball stops.

Heavy Duty 008-7242



THE LARGEST OF THE **KWIK BANDIT™** PRODUCT LINE, HAS THE HIGHEST TENSILE STRENGTH AND CAN BE USED IN INDUSTRIAL SETTINGS FOR SECURING THOSE HEAVY LOADS.

Combined with either the Standard (UT14-2LP) or Heavy Duty (UT24-2LP) Lock Pin options, you can easily combine several together, forming a strong chain. A great way to work with very large objects or securing and bundling all your industrial materials.

Kwik Bandit™ replaces those other dangerous binding products that have caused serious workplace injuries from normal operation. Perfect for organizing large cables and hoses, for binding pipes, tubes and cam lock safety straps.

The Heavy Duty **Kwik Bandit™** has a 75lb. axial Work Load Limit (WLL), 24 inches in length, cord diameter of 5/16" and 3/8" ball stops. (Maximum bundling diameter of 8 inches using a single band).

Kwik Bandit™ offers a 30 day guarantee on its products from defect in workmanship or materials.



Tank Check™

Accurately Measures Level Of LP

The LPG Tank Check is able to accommodate a variety of LP Tanks and provide you with up to date levels. Tank Check's unique Sensors accurately measure your Tanks LP level and communicate that information to you via the optional Monitor or through the use of most any device equipped with Blue Tooth. The Sensor's Blue Tooth communications range enables remote monitoring up to 50' away, depending upon obstructions such as walls and other material. Monitoring the Sensor with a smart device requires downloading the free App.

MANY USES



Fork Lift Tank



RV Tanks



Home LP Tank



Home BBQ



Save The Hassle Of Constantly Checking Your LP Tank Level

Monitor It With Tank Check!

Part#	Description
024-1000	LP Tank Check Dual Sensor w/Monitor Kit
024-1001	LP Tank Check Single Sensor
024-1002	LP Tank Check Dual Sensor
024-1003	LP Tank Check 15 Pack

NOCO® Snap-Top

SNAP-TOP™ BATTERY BOXES



Injection molded polypropylene plastic boxes collect battery electrolytes, allow ventilation, and prevent accidental contact of ungrounded battery terminals. The patented Snap-Top® lid secures the lid to the base, heavy-duty handles resist cracking, and vent hole cover plugs limit water entry.

LID ONLY
013-206 Group24

- 013-199 HM300BK, Standard Box, Black
Standard Box Fits Group 24 Batteries
Inside: (11"L x 7.87"W x 9.75"H),
Outside: (13.38"L x 10.13"W x 11"H)
- 013-200 HM327BK, Medium Box, Black
Medium Box Fits Group 27 Batteries
Inside: (13.38"L x 7.75"W x 10"H),
Outside: (16"L x 9.25"W x 10.25"H)
- 013-236 HM318BK, Large Box, Black
Large Box Fits Group 24-31 Batteries
Inside: (14.50"L x 7.87"W x 10"H),
Outside: (17.75"L x 10.13"W x 10.50"H)
- 013-526 HM306BK, 6V Single
Fits 6V Batteries
Inside: (11"L x 7.87"W x 12"H)
Outside: (13.38"L x 10.13"W x 12.25"H)

HEAVY-DUTY BATTERY BOXES

Dual, 6V battery boxes are rotationally molded from LLDPE. Feature a four-corner fastening system, captive lid, large cable entry holes, a large electrolyte reservoir, and full flow ventilation. Resists acid, gasoline, oil, salt, and chemicals. Impact resistant to -40°F (-40°C)



- 013-668 HM408, 6V Dual, End to End
Inside: (21"L x 9"W x 10.5"H),
Outside: (24.5"L x 12.5"W x 13"H)
- 013-669 HM426, 6V Dual, Side by Side
Inside: (14.75"L x 10.75"W x 12"H),
Outside: (18.25"L x 14.25"W x 14"H)

BATTERY TRAYS & STRAPS

Heavy-duty injection molded plastic battery tray is corrosion resistant. External mounting holes to resist battery movement.



- 013-11124 BT24, Battery Tray (Group 24)
(11.5"L x 8.4"W x 1.3"H)
- 013-11127 BT27, Battery Tray (Group 27)
(13.3"L x 8.4"W x 1.3"H)
- 013-670 BT31, Battery Tray (Group 31)
(14"L x 8.4"W x 1.3"H)
- 013-201 HM001, Replacement Battery Strap 42"L
- 013-607 HM006, Replacement Battery Strap 54"L



UV
RESISTANT

MADE IN USA

2017

AP Products

Service Parts Catalog



AP Products

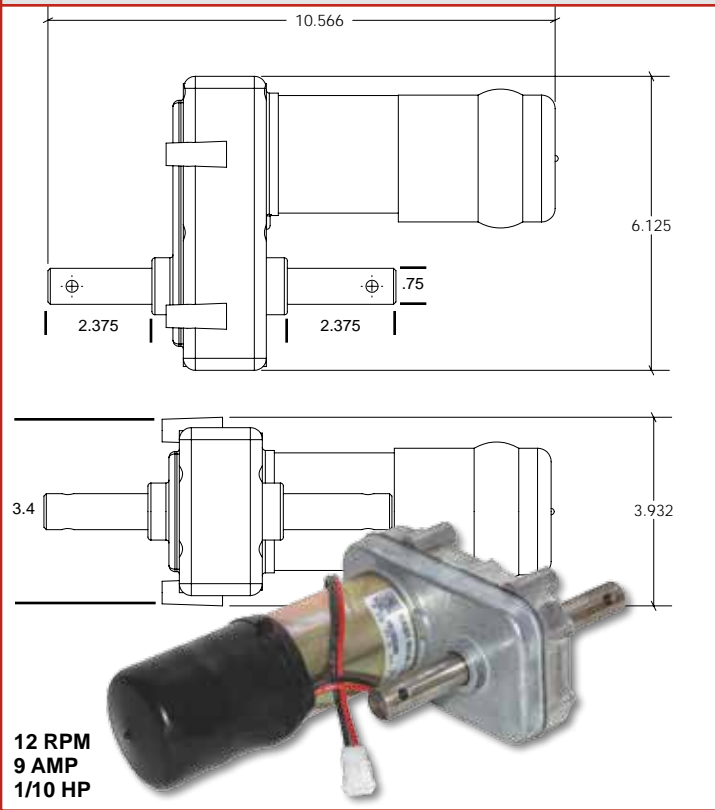
Aluminum Extrusions32-33
Bits.....25-27
LITECO Products..... 15-16
RV Entrance Doors..... 13
Screws28-31
Screw Covers / Trim 14
Seals9-12

SIKA19-20
Slideout Parts 1-8
Spray Paint..... 22
STA'-PUT 21
Surface Shields.....17-18
Tools23-24

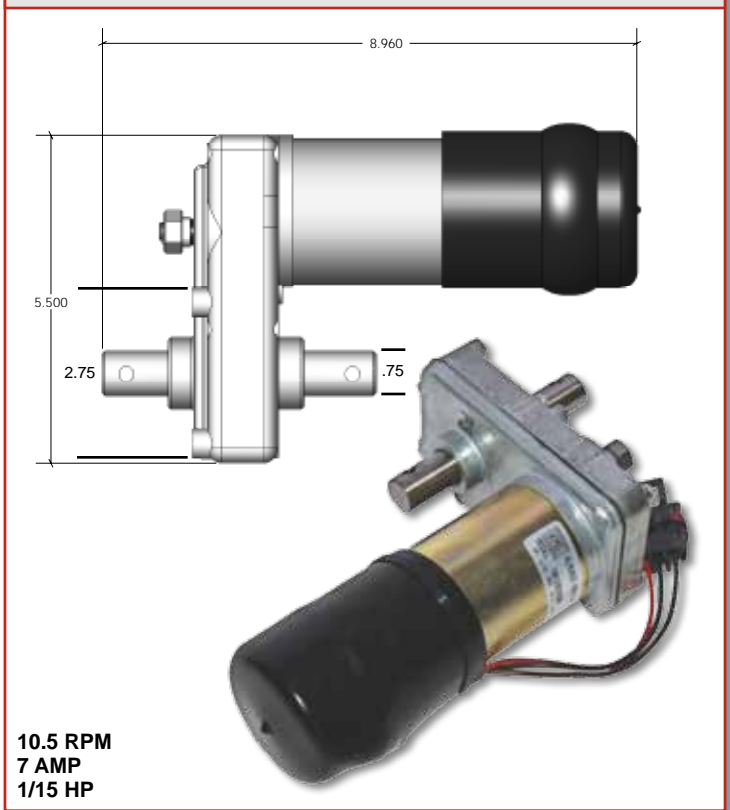


Slideout Parts

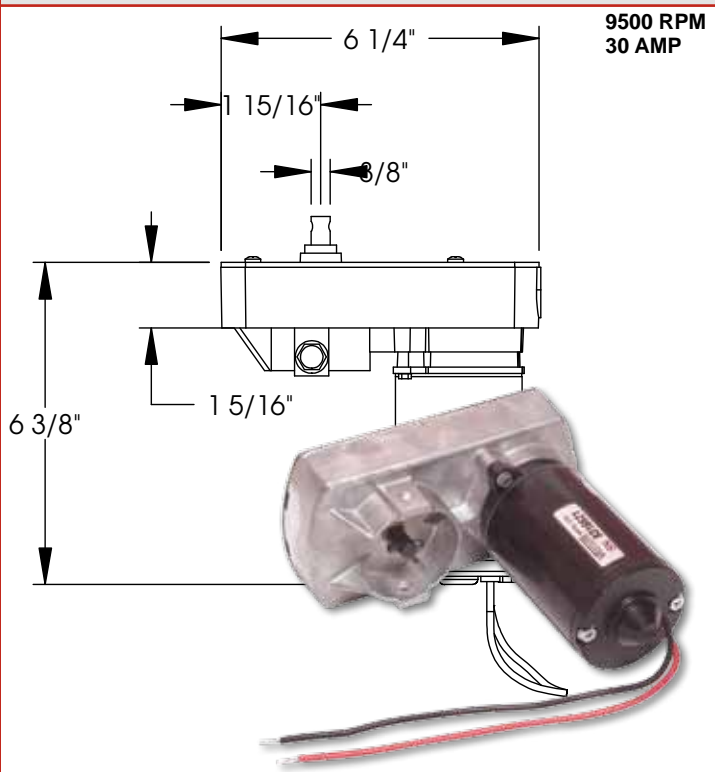
014-138449 - Klauber Motor D-300 (2 Wire)



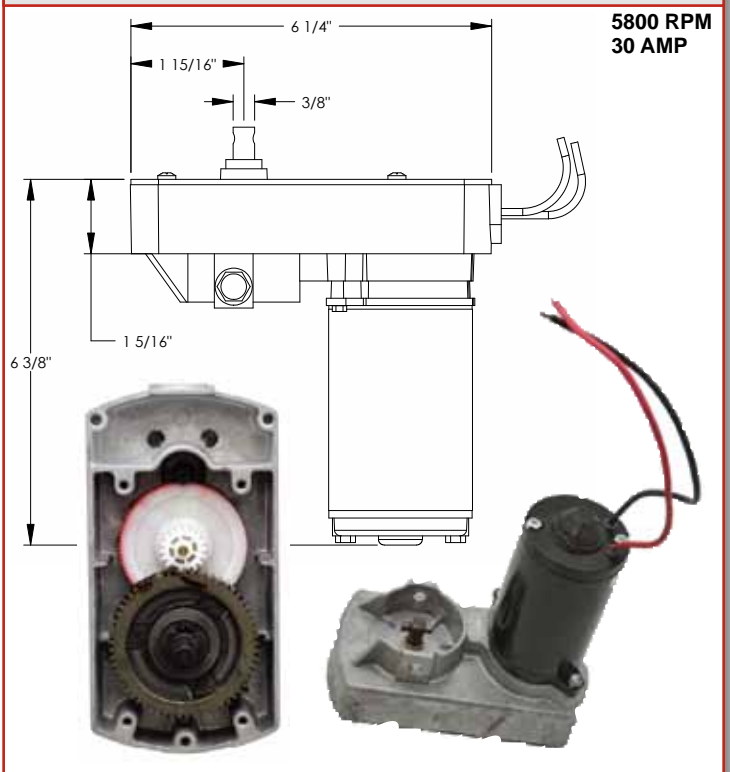
014-130057 - Klauber Motor 500 (3 Wire)



014-132682 - 18:1 Venture Actuator Motor (2-1/4" Inner Gear)

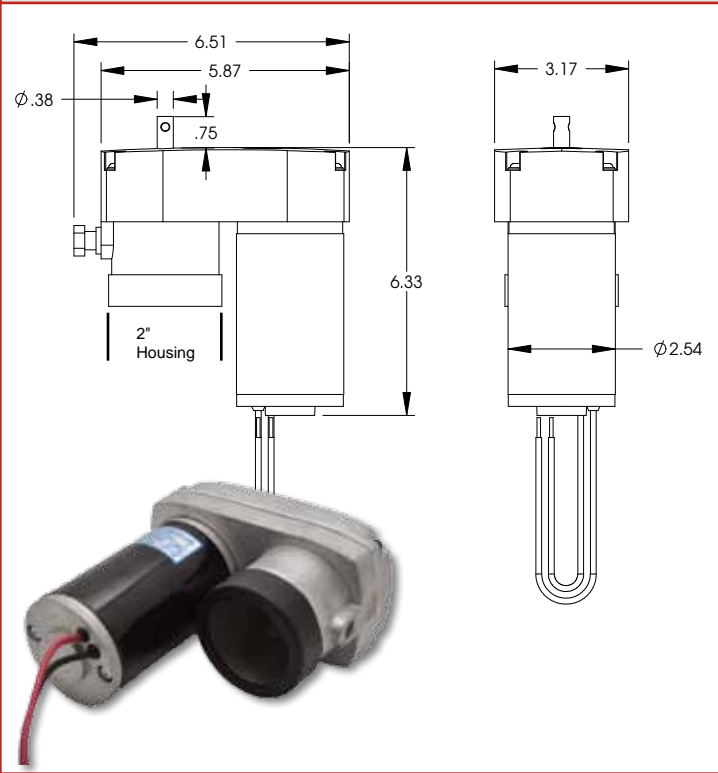


014-136373 - 28:1 Venture Actuator Motor (2-1/2" Inner Gear)

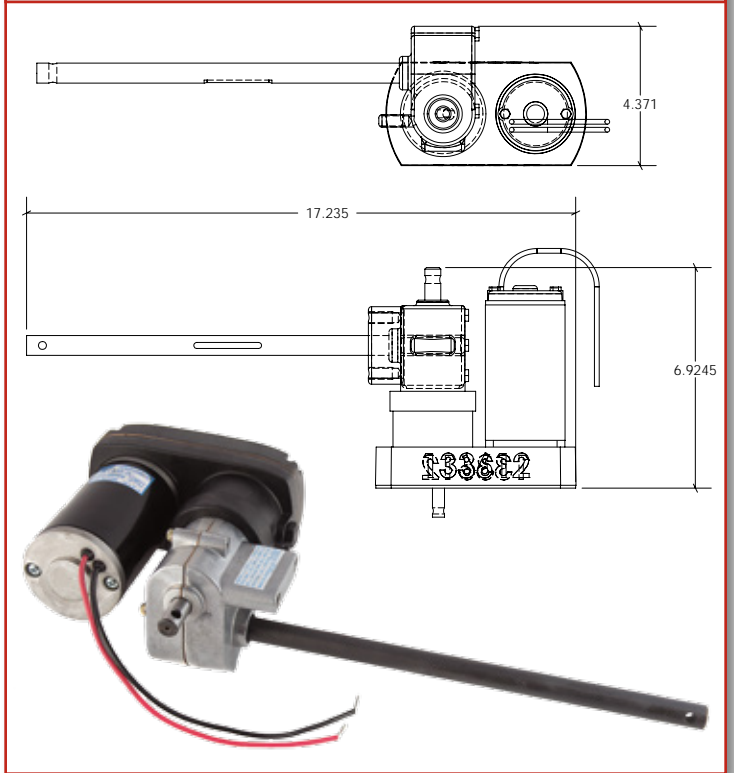


Slideout Parts

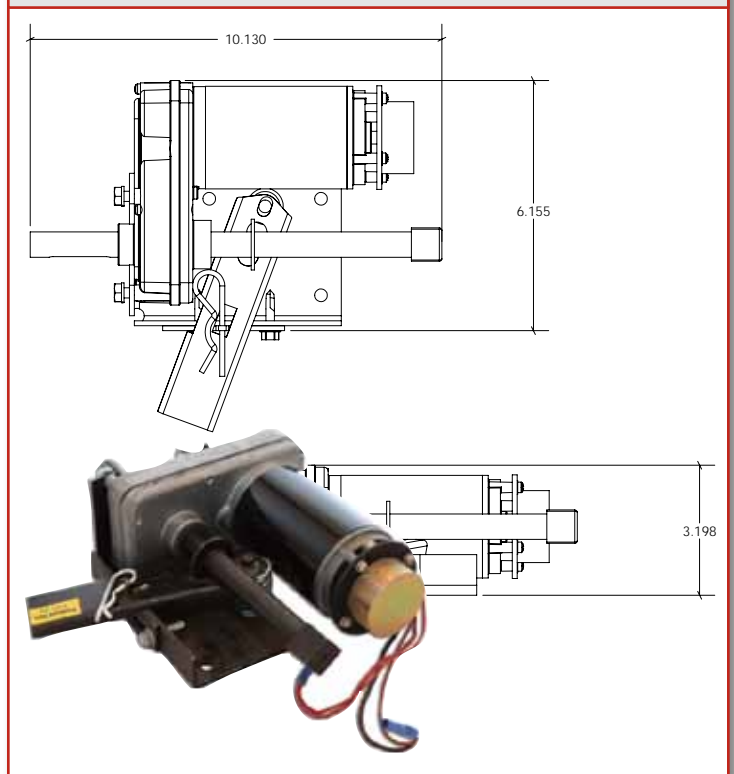
014-125802 - 9000 RPM 18:1 Motor (Tuson)
(When not available sub with 014-168956)



014-133612 - 18:1 Tuson Motor/Drive Shaft
 w/right angle gear box

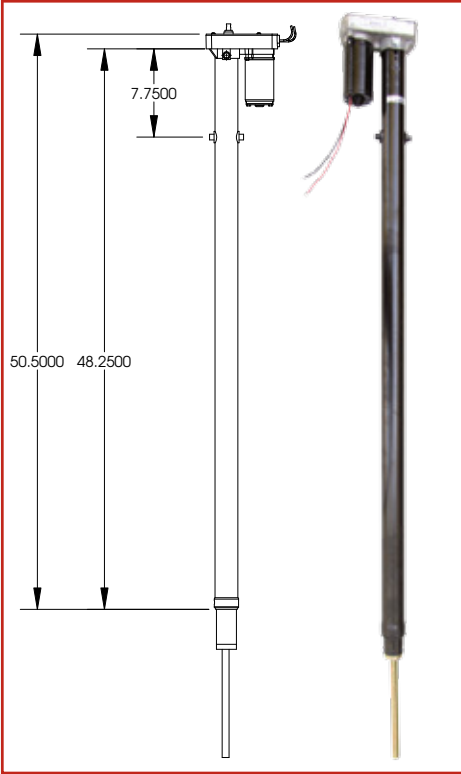


014-124390 - Motor Assembly
 w/ 127595 LTGL076

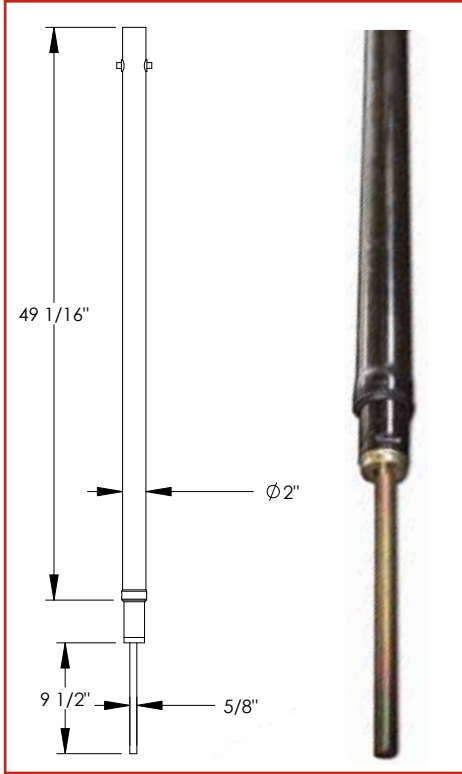


Slideout Parts

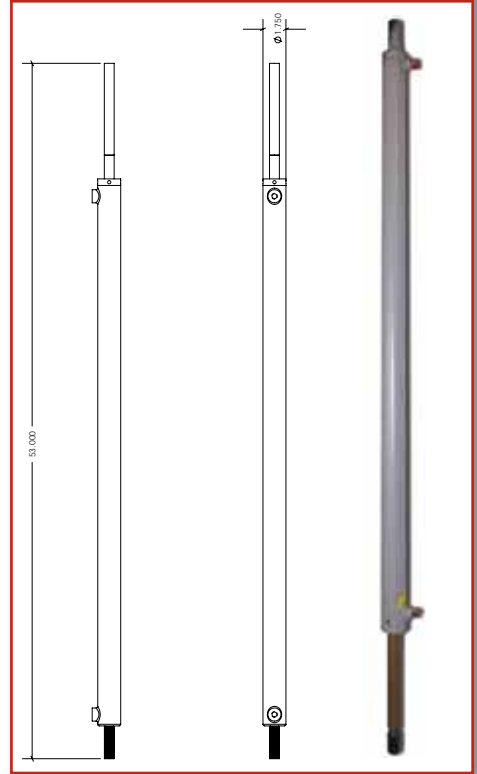
014-168956 - 40" Venture Actuator w/ High Speed Motor



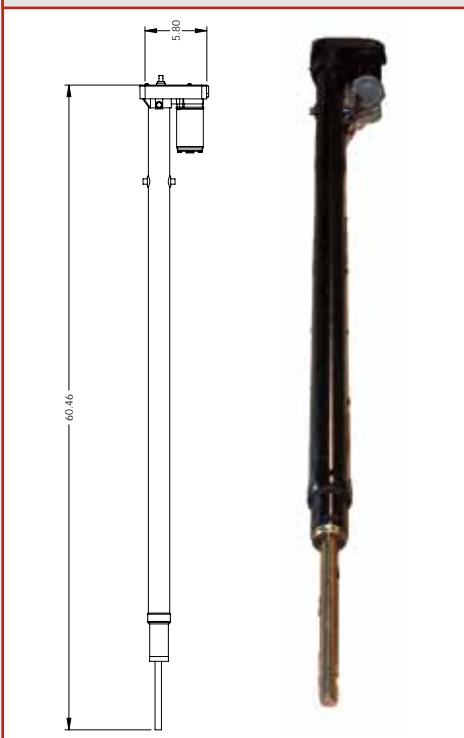
014-145595 - Venture Actuator Only



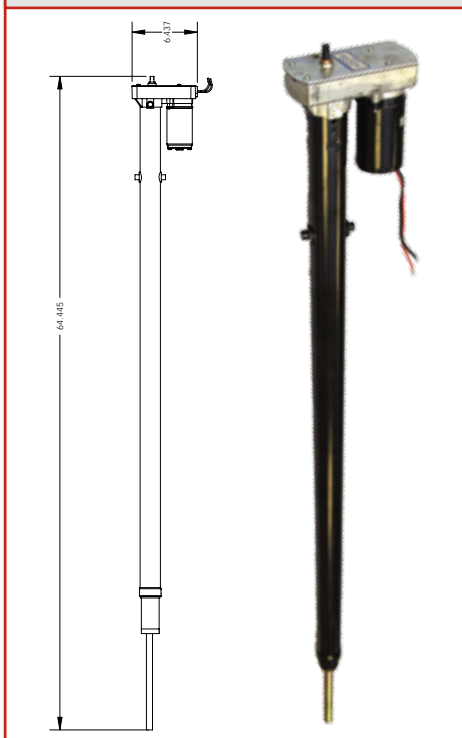
014-123603 - 38" Cylinder (Grey)



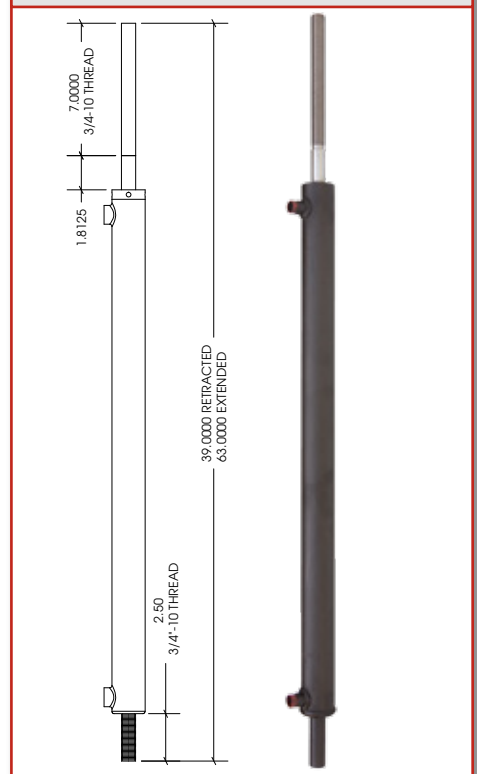
014-131903 - 40" Tuson Actuator w/18:1 Motor (no longer available. replace w/ 014-168956)



014-119129 - 40" Venture Actuator w/18:1 Motor (no longer available. replace w/ 014-168956)

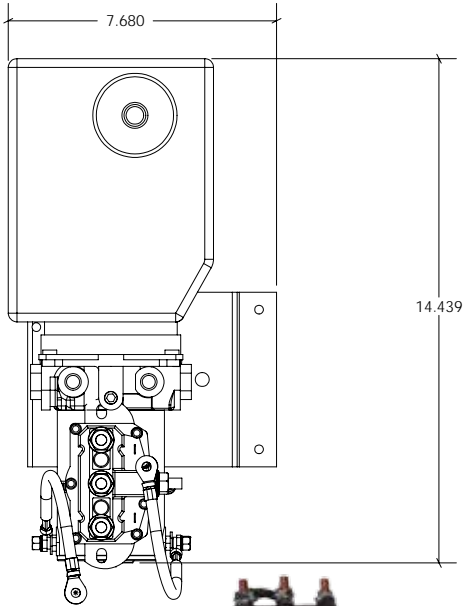


014-125653 - 24" Cylinder (Black)

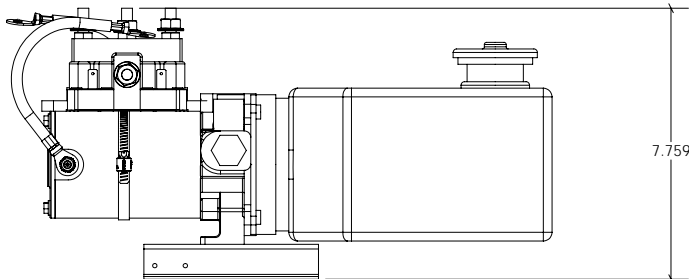


Slideout Parts

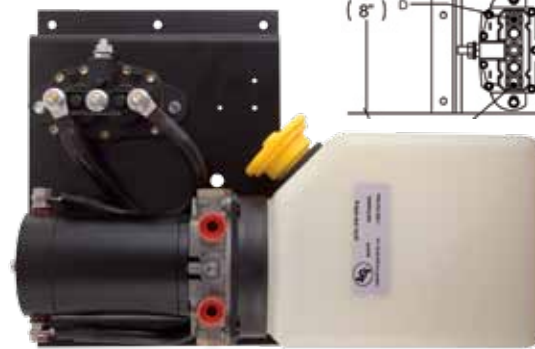
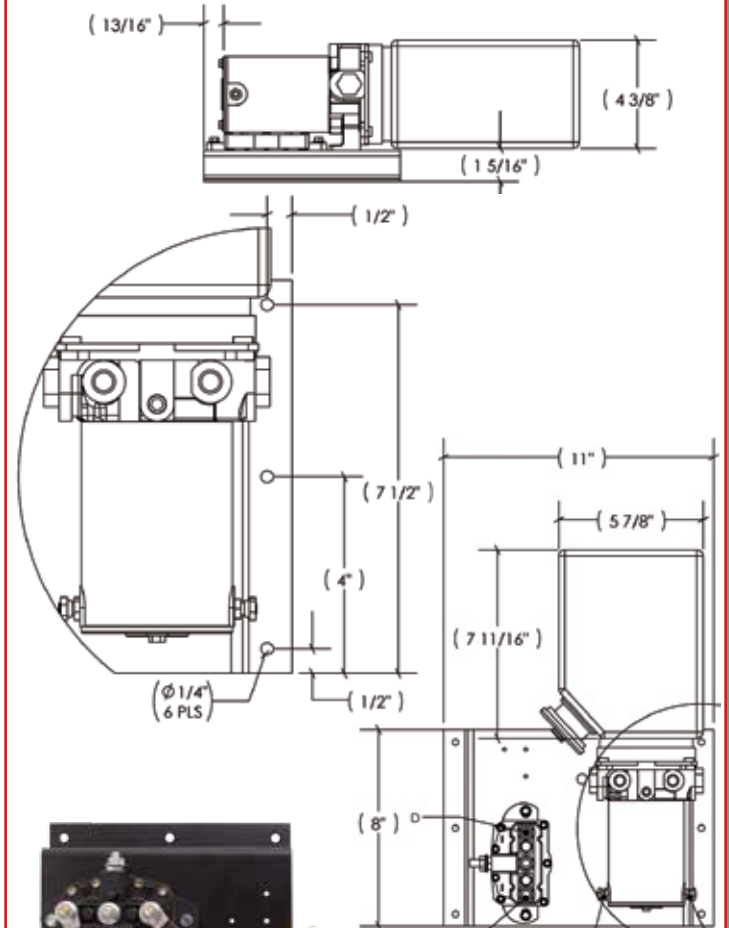
014-141111 - Power Unit 643150 w/Small Parts



014-177420 - 2qt. Reservoir Pump Kit Only



014-183827 - 2Q Vertical Slide Pump Assembly



014-136046 - Trombetta Polar Reverse Solenoid

Copper Contacts



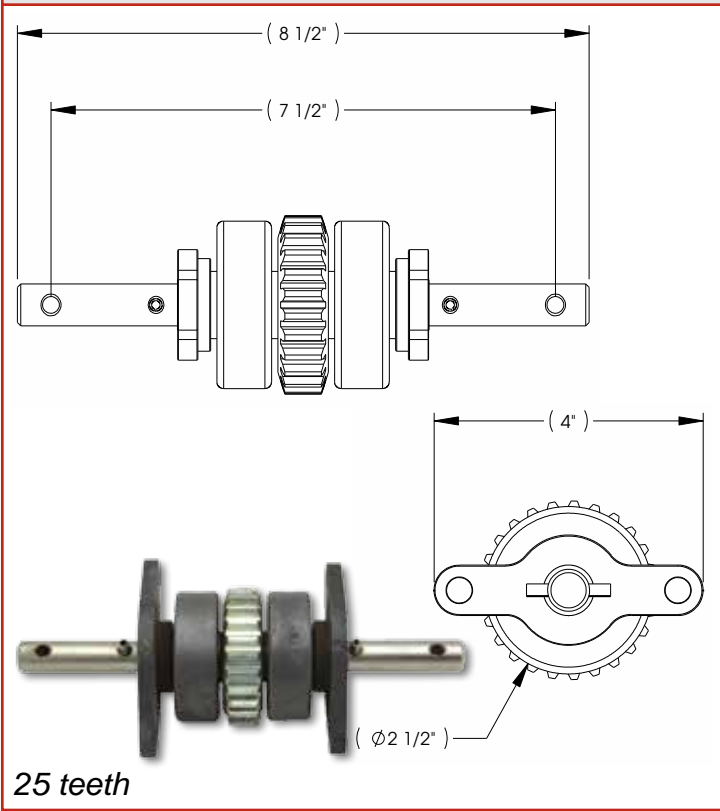
014-118246 - Trombetta Solenoid For Leveling

Silver Plated Copper Contacts

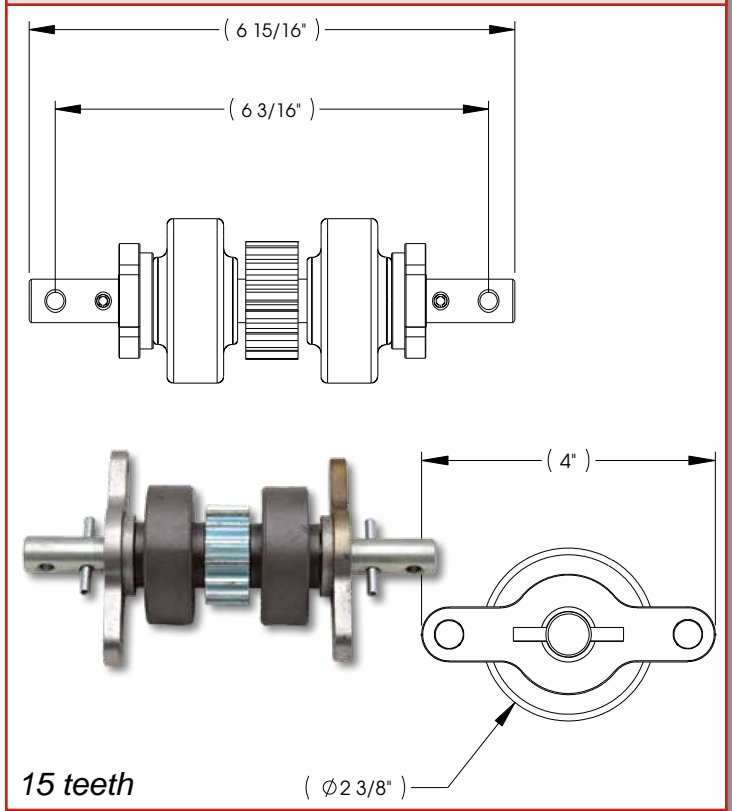


Slideout Parts

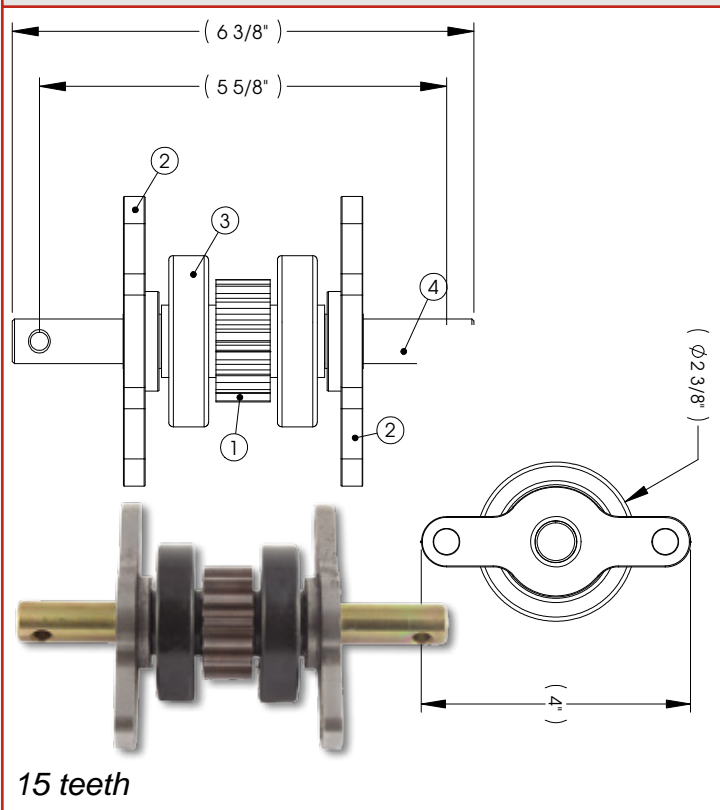
014-140418 - Gear Pack - ER w/Roll Pins Assy



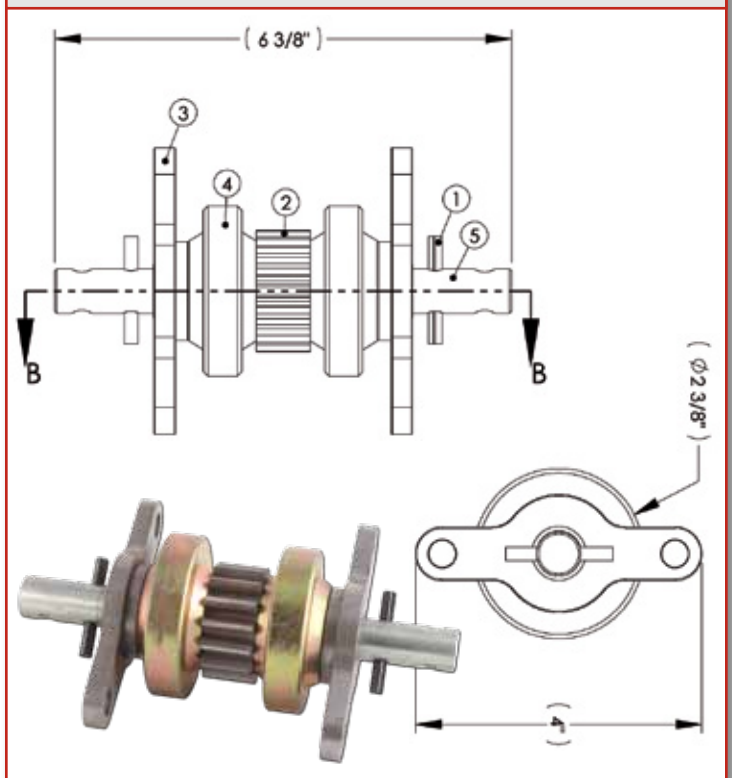
014-140409 - Gear Pack 2x3 w/Roll Pins Assy



014-281331 - 2x2 Gear Pack w/o Roll Pins Assy

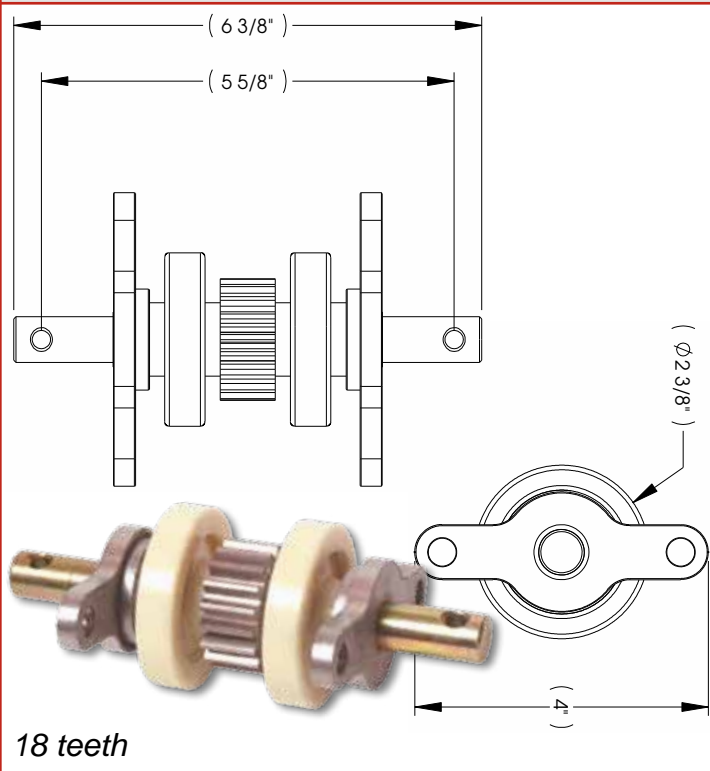


014-123356 - 2.5 x 2.5 Heavy Duty Gear Pack - Steel Rollers

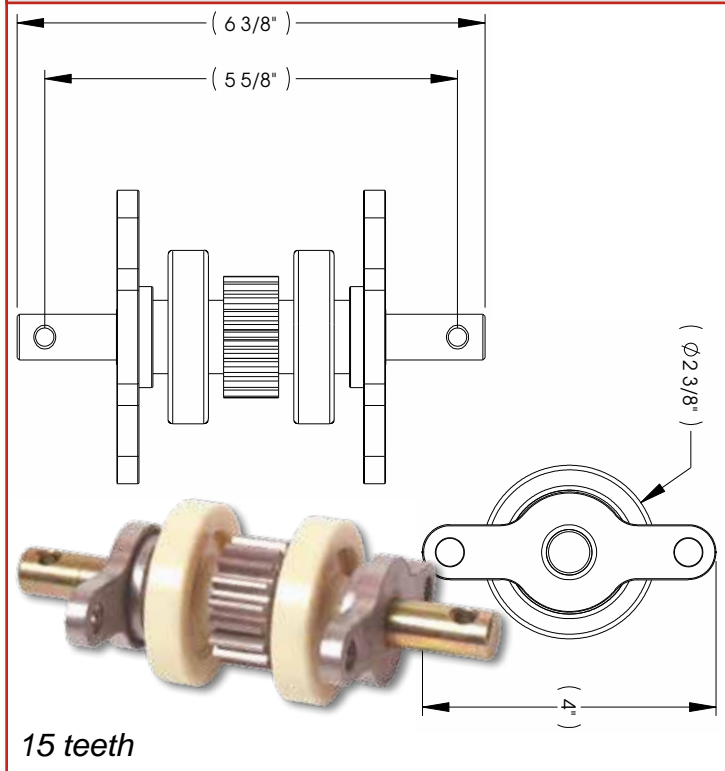


Slideout Parts

014-122837 - Standard Gear Pack - Nickel w/out-Roll Pins Assy



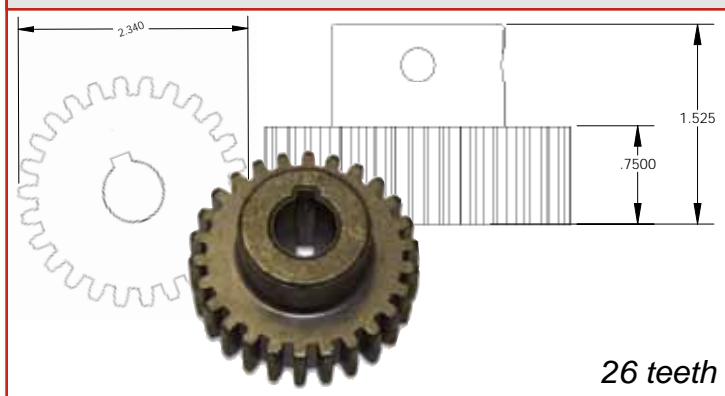
014-324869 - Standard Gear Pack - Nickel w/out Roll Pins Assy



014-191072 - 18:1 Venture Replacement Gear Set

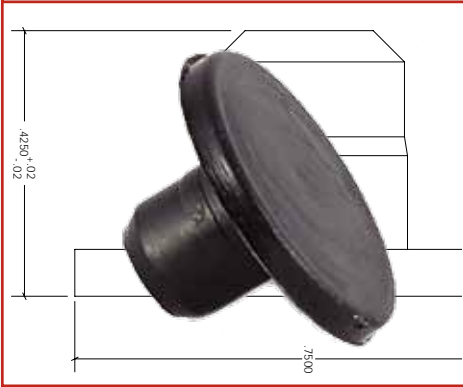


014-116658 - Crown Gear



Slideout Parts

014-103480 - Plastic Wear Pad (3/Ctn)



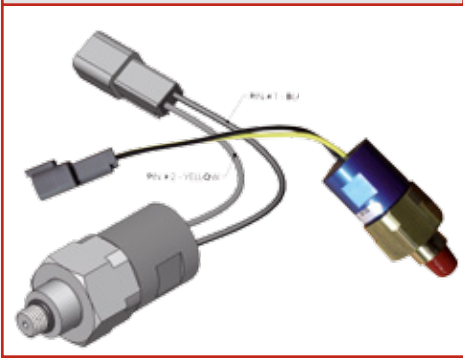
014-239114 - J32 Roller For Scwintek In-Wall Slide-Out



014-122840 - Slide-Out Stop Can Assembly



014-142927 - 2150 Pressure Switch w/ Deutsch DT-04-2P Connector



014-118353 - Bearing for AFSS 3/8-24x1.3750



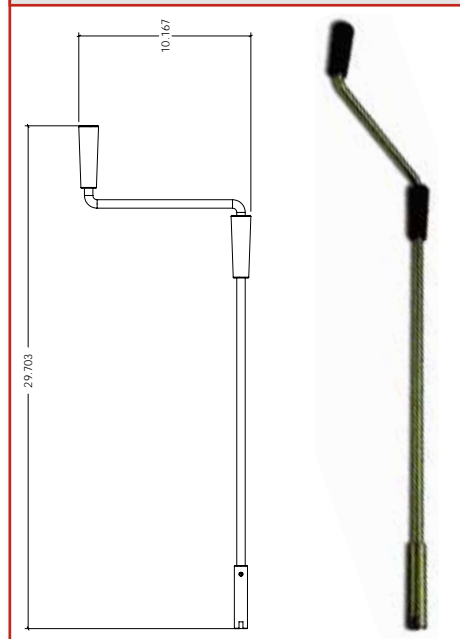
014-135666 - Controller 2.070x1.5 Part#10665



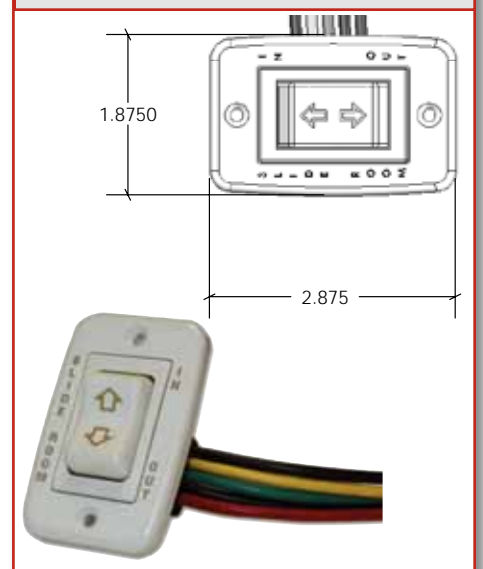
014-134629 - Triple Flexguard Kit - 8" Post



014-119226 - Standard S/O & Landing Gear Crank Handles



014-117461 - LCI Slideout Switch Assembly White
014-117460 - LCI Slideout Switch Assembly Black



Schwintek Slideout Parts

014-287298 - Schwintek Motor, In-Wall;
High Torque, 500:1



014-211852 - Schwintek Controller In-Wall Slide
V-SYNC II



014-236575 - Schwintek Motor In-Wall;
IG-42, 10MM



014-276398 - Schwintek LCI Dual Motor
Synchronous Velocity Bed Controller



Schwintek Hydraulic Interior Switch
014-120639 - White
014-225487 - Almond
014-225488 - Black



014-247768 - Schwintek Harness: In-Wall 15'
014-238991 - Schwintek Harness: In-Wall 25'



Economy Rubber Seals for Slide Out Rooms - Includes Wipers

Economical rubber base includes Bulb Seal and wiper. Comes with strong adhesive w/ release liner. Simply cut to length, remove release liner and apply pressure to adhere to side wall for a positive seal around your SlideOut Room.

Premium EK Seal for Slide Out Rooms - Includes Wipers

Advanced EK Series is the ultimate Slide Out Seal System. Can be used for new installations or when upgrading worn out rubber seals. Order in two parts. The EK Base comes with wiper and is designed with straight edge for easy alignment w/adhesive backing. Fasteners maybe used to install as well. D Seal, purchased separately, easily slides onto track in base, hides fasteners and provides a positive seal. EK Series may also be used on interior wall for protection when Slide Out Room is extended or when replacing a double seal.

Rubber Slide out Seal w/Wiper & Tape



018-314
White w/Hats (Red Tape)
5/8" x 1-15/16" x 35'

EK Seal Base w/Wiper To Be Used with D-Seal



018-314-BLK
EK Base w/1" wiper
Black w/Hats (Red Tape)
1/2" x 1-3/4"x35'
018-341
EK Base w/2" wiper
Black w/Hats (Red Tape)
1/2" x 2-3/4" x 35'
018-316
EK Base w/2-7/8" wiper
Black w/Hats (Red Tape)
1/2" x 3-2/3" x 35'



018-384
EK Base w/1-1/4" wiper
White w/Hats (Red Tape)
1/2" x 2" x 35'
018-426
EK Base w/2" wiper
White w/Hats (Red Tape)
1/2" x 2-3/4" x 35'
018-317
EK Base w/2-7/8" wiper
White w/Hats (Red Tape)
1/2" x 3-2/3" x 35'



018-2080-168
Double EKD Base w/2-3/8" wiper
Black 1-1/2" x 3-3/16" x 14'
018-2030-168
Double EKD Base w/2-3/8" wiper
Black 2" x 3-3/16" x 14'
018-2082-168
Double EKD Base w/2-3/4" wiper
Black 1-1/2" x 3-1/2" x 14'



018-2062-153
Double EKD Base
Black 1-1/4" x 1-3/4" x 12-3/4'
018-2062-96
Double EKD Base
Black 1-1/4" x 1-3/4" x 8'

018-1723
EK BASE w/ 1-1/4" wiper
w/Hats (Red Tape)
1/2" x 1-1/4" x 35'



018-188
EK "L" Wiper
Black w/Hats (Red Tape)
2-1/2" x 4/5" x 20'



018-2033
EK Channel
Black w/Hats (Red Tape)
7/8" x 1/4" x 50'



EK Seal D Seal To Be Used with Base



018-312-EKD
D Seal for EKD Base
Black 1" x 15/16" x 35'



018-184-EKD
D Seal for EKD Base
White 1" x 15/16" x 35'



018-522
D Seal for EKD Base
w/Fins
Black 1-1/2" x 1" x 40'



018-1065-EKD
D Seal for EKD Base
Grey 1" x 15/16" x 35'

018-350-EKD
D Seal for EKD Base
Black 1" x 15/16" x 50'



018-1069-EKD
D Seal w/Off Set Bulb
White 1-1/16" x 1/4" x 50'



018-2004
Modified EKD Seal
Black 1" x 1" x 50'



018-1681
Small EK Outer Seal
Black 9/10" x 11/16" x 100'

Other SlideOut Seals



018-478
Double Bulb w/Wiper
Black 2" x 2-1/4" x 28'

018-478-35
Double Bulb w/Wiper
Black 2" x 2-1/4" x 35'

018-479
Double Bulb w/Wiper
Black 2" x 3" x 28'



018-564
EPDM DBL Bulb Seal
w/ Tape
Black 1-1/2" x 1/2" x 50'



018-338- BLK
Slide in Secondary Seal
Black 13/16" x 11/16" x 30'



018-1138
Single Bulb w/Wiper
Black 2" x 3" x 35'



018-1470-84
1.375" EK Cap w/1.5" Wall Jamb
Black 4-3/8" x 2-5/8" x 7'



018-607
P Seal w/Tape
Black 2-1/2" x 7/8" x 100'

Seals for Doors, Windows and more...

These seals may be used in a variety of applications including Baggage Doors, Cargo Doors, Entrance Doors, around windows and any other area where it is desired to reduce or eliminate infiltration of noise, dust, moisture or vibration.

Non Ribbed D Seal w/Tape



018-224
Black w/PSA (White Tape)
1/2" x 3/8" x 50'



018-204
White w/PSA (White Tape)
1/2" x 3/8" x 50'



018-318
Black w/PSA (White Tape)
3/4" x 1/2" x 50'



018-663
Black w/Hats (Red Tape)
3/4" x 3/4" x 50'

Bulb Seal with Slide on Clip



018-088-BB
Single Bulb
Black 1" x 3/4" x 28'



018-742
Single Bulb
White 1" x 3/4" x 28'



018-181-BB
Slide Double Bulb
Black 1-1/2" x 3/4" x 28'

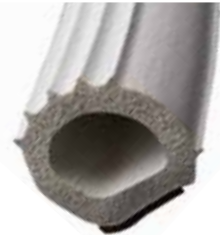


018-1509
Single Bulb
Black 3/4" x 7/16" x 28'

Ribbed D Seal w/Tape



018-023-PT
Foam D Seal w/PSA
(White Tape)
Black 1" x 1" x 50'



018-1097
Foam D Seal w/Hats
(Red Tape)
White 1" x 1" x 50'



018-1894
J Bulb
Black 1" x 3/4" x 28'



018-3009
Single Bulb
Black 15/16" x 1-1/2" x 43'



018-206
Foam D Seal w/Hats
(Red Tape)
Black 1" x 1" x 50'

Foam Seal w/Tape



018-821125
Low Density NEO/
EPDM/ With PSA
1" x 1-1/4" x 25'

018-523
Black w/PSA (White Tape)
5/8" x 3/8" x 50'
018-855
Black w/Rib
w/PSA (White Tape)
1/2" x 5/16" x 50'
018-664
Ribbed Seal
Black w/PSA (White Tape)
3/16" x 3/8" x 50'



Schwintek Bottom & Corners

Slide Out Seals to be Used When Either Repairing or Installing New Schwintek Slide. Bottom Panels Maybe Cut to Designed Length



018-1932-168
Bottom Pan Seal
w/Wiper
2" x 3" x 14'



018-1933-168
Bottom Pan Seal
w/Wiper
2-1/4" x 3" x 14'



018-1923-156
EK Pan Base w/1-5/8" Wiper
Black
1-1/3" x 1-5/8" x 13'



018-1161-RH
Corner-Block RH
Notched Black
4-1/2" x 2-1/2" x 2"



018-1161-LH
Corner-Block LH
Notched Black
4-1/2" x 2-1/2" x 2"



018-1998-RH
Corner-Block RH
Notched
4-1/2" x 2-1/2" x 3"



018-1998-LH
Corner-Block LH
Notched
4-1/2" x 2-1/2" x 3"

Trim Seal

018-3006
Clip On Trim Seal Black
018-667
Clip On Trim Seal White

OD 9/16" x 1/4" x 50'
ID 1/3" x 5/64" x 50'



Sewn In Clip

018-635-96
Poly Sewn In Clip (2 pack)
White
1-3/16" x 3/8" x 8'
018-635-216
Poly Sewn In Clip
White
1-3/16" x 3/8" x 18'



Weather Stripping

Quality Cap Tape and Weather Stripping products for use around windows, doors or any place where you are looking to quiet or prevent moisture, dirt and dust from entering. All products are individually packaged.



- 018-181417** 1/8" x 1/4" x 50'
- 018-3163810** 3/16" x 3/8" x 10'
- 018-3163817** 3/16" x 3/8" x 50'
- 018-3161210** 3/16" x 1/2" x 10'
- 018-3163410** 3/16" x 3/4" x 10'
- 018-143817** 1/4" x 3/8" x 50'
- 018-5163810** 5/16" x 3/8" x 10'
- 018-5163410** 5/16" x 3/4" x 10'
- 018-516110** 5/16" x 1" x 10'
- 018-381210** 3/8" x 1/2" x 50'
- 018-383410** 3/8" x 3/4" x 50'
- 018-5161250** 5/16" x 1/2" x 50'
- 018-516150** 5/16" x 1" x 50'
- 018-5163450** 5/16" x 3/4" x 50'
- 018-5321250** 5/32" x 1/2" x 50'
- 018-532150** 5/32" x 1" x 50'
- 018-5323450** 5/32" x 3/4" x 50'
- 018-5323850** 5/32" x 3/8" x 50'
- 018-5325850** 5/32" x 5/8" x 50'

Cap Tape

Grey Mylar backed PVC Foam Tape w/adhesive coating. Great for Truck Caps and other areas where a good seal against weather and dust is desired. Also great for quieting rattles and squeaks. Comes in Poly Bag and is available in a variety of widths.



- 018-316130** 3/16" x 1" x 30' Grey
- 018-3161530** 3/16" x 1-1/2" x 30' Grey
- 018-3162530** 3/16" x 2-1/2" x 30' Grey
- 018-141125** 1/4" x 1-1/2" x 30' Grey
- 018-1400125 B** 1/4" x 1-1/2" x 30' Black
- 018-381530** 3/8" x 1-1/2" x 30' Grey

RV Entrance Doors

- Available in Radius and Square
- Available in Polar White (PW) only
- Individually boxed
- Measurements below are rough opening
- All doors come with screen door matching color of frame extrusion and clear slide panel
- PW doors - have pebble interior and smooth exterior
- "RH" indicates that the hinges are on the right side when walking into the coach
- Frame thickness for both towable and motorized doors is 2-1/4"
- Radius doors have 4" radius corners



Towable Entry Door - Radius: PW fiberglass skin, PW flush lock with deadbolt, 12 x 21 window w/ obscure glass and PW frame, all PW extrusion.

015-217708	24" x 68"	Radius Entrance Door	RH
015-206319	24" x 72"	Radius Entrance Door	RH
015-217709	26" x 72"	Radius Entrance Door	RH
015-217710	28" x 72"	Radius Entrance Door	RH
015-205998	30" x 72"	Radius Entrance Door	RH

Towable Entry Door - Square: PW fiberglass skin, PW flush lock with deadbolt, 12 x 21 window w/ obscure glass and PW frame, all PW extrusion.

015-217711	24" x 68"	Square Entrance Door	RH
015-217712	24" x 70"	Square Entrance Door	RH
015-217713	24" x 72"	Square Entrance Door	RH
015-217714	24" x 76"	Square Entrance Door	RH
015-217715	26" x 68"	Square Entrance Door	RH
015-217716	26" x 70"	Square Entrance Door	RH
015-217717	26" x 72"	Square Entrance Door	RH
015-217718	26" x 78"	Square Entrance Door	RH
015-217719	28" x 72"	Square Entrance Door	RH
015-217720	30" x 72"	Square Entrance Door	RH
015-217721	32" x 72"	Square Entrance Door	RH

Motorized Entry Door - Radius: PW fiberglass skin, Black Tri-Mark lock with deadbolt (meets FMVSS 206 requirements), 12 x 21 window w/obscure glass and black frame, all white extrusion.

015-247031	24" x 70"	Radius Entrance Door	RH
015-247231	24" x 72"	Radius Entrance Door	RH
015-267231	26" x 72"	Radius Entrance Door	RH

Door Replacement Trim

015-661	Screw Cover - 85" Rigid Plastic - Polar White
015-662	Door Screwcover - 85" - Off White
015-663	Door Screwcover - 85" - Black
015-2028911	Door Threshold - 92" - Mill Finish

Misc Door Replacement Parts

015-201471	Screen Latch Right
015-201472	Screen Latch Left
015-198295	Hinge Assembly 6 Leaf - White

Window Replacement Parts

015-2014742	Window Frame Inner & Outer w/Seal No Glass - White
015-2014762	Window Frame Inner & Outer w/Seal No Glass - Black
015-201495	Window Glass - Obscure 12-1/2" x 21-1/2"
015-201496	Window Glass - Tinted 12-1/2" x 21-1/2"

Slim Shade™ Also see page 6 in Hardware Catalog

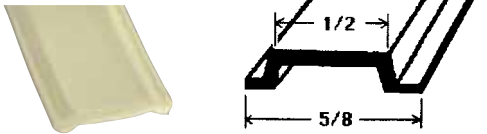
015-201512	Slim Shade™ Complete Unit
015-2014782	Slim Shade™ Window Frame Only - Black
015-201502	Slim Shade™ Replacement Shade Only - Black



Screw Covers / Trim

Flexible Plastic Insert Trim - 5/8"

Quality plastic insert for use on doors, trim molding and windows. Available in 1000 foot spools or handy 25 foot packages.



Part #	Description	Color
011-387	1000' Insert	Polar White
011-388	1000' Insert	Brown
011-389	1000' Insert	Black
011-390	1000' Insert	Colonial White
011-391	1000' Insert	Beige
011-348	100' Insert	Polar White
011-347	100' Insert	Black
011-370	25' Insert	Polar White
011-366	25' Insert	Brown
011-367	25' Insert	Black
011-368	25' Insert	Colonial White
011-369	25' Insert	Beige

Quality Plastic Insert Trim - 7/8"

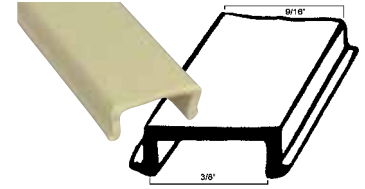
Quality plastic insert for use on doors, trim molding and windows. Available in 750 foot spools or handy 25 foot packages.



Part #	Description	Color
011-382	750' Insert	Polar White
011-383	750' Insert	Brown
011-384	750' Insert	Black
011-385	750' Insert	Colonial White
011-386	750' Insert	Beige
011-374	100' Insert	Black
011-349	25' Insert	Polar White
011-350	25' Insert	Brown
011-351	25' Insert	Black
011-352	25' Insert	Colonial White
011-376	50' Insert	Polar White
011-380	50' Insert	Beige

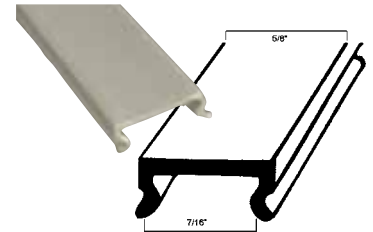
Elixir Screw Cover

Part #	Description	Color
011-354	8' Screw Cover	Colonial White
011-355	8' Screw Cover	Black
011-356	8' Screw Cover	Brown
011-357	8' Screw Cover	Polar White



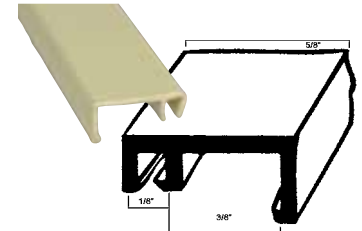
Philips Screw Cover

Part #	Description	Color
011-358	8' Screw Cover	Colonial White
011-359	8' Screw Cover	Black
011-360	8' Screw Cover	Brown
011-361	8' Screw Cover	Polar White



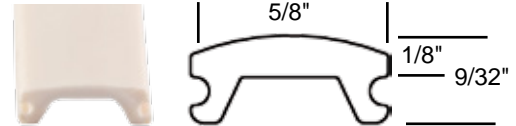
Hehr Screw Cover

Part #	Description	Color
011-362	8' Screw Cover	Colonial White
011-363	8' Screw Cover	Black
011-364	8' Screw Cover	Brown
011-365	8' Screw Cover	Polar White



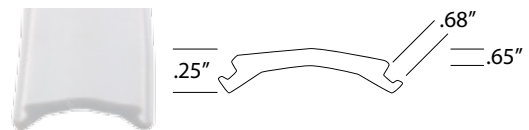
Flexible PVC Screw Cover - 5/8"

Part #	Description	Color
011-103	600'	White



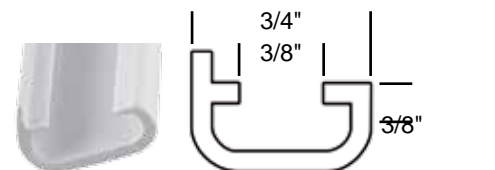
Flexible Screw Cover - 3/4"

Part #	Description	Color
011-398	50' Insert	Polar White
011-399	50' Insert	Black
011-400	500' Insert	Polar White



Insert Molding Trim - 3/4"

Part #	Description	Color
011-444	200'	Polar White



Vinyl Gimp Trailer Welt

Part #	Description	Color
011-381	750' Spool	Light Brown
011-397	750' Spool	White



RV Vinyl Insert for Trim Molding

3/4"x 25' Insert	3/4" x 1800' Insert	1" x 50' Insert	1" x 1000' Insert
011-315 Tan	011-392 Tan	011-329 White	011-311 White
011-316 White	011-393 White	011-330 Black	011-312 Black
011-317 Black	011-394 Black	011-331 Colonial White	011-313 Colonial White
011-318 Colonial White	011-395 Colonial White	011-306 White	011-314 Walnut
011-319 Tan	011-396 Walnut	011-307 Black	011-338 Dark Gray
011-320 White	011-341 Dark Gray		
011-321 Black	1" x 25' Insert		
011-322 Colonial White	011-301 White		
011-334 Walnut	011-302 Black		
011-340 Dark Gray			



LITECO Products

Europa Sng Blk w/Chrome Globe

Part No.
005-06001059

Quantity
20/ctn



**Ctsy w/Mount
Repl Bult 1895 R**

Part No.
005-068WMT

Quantity
50/ctn



Dome Lt Grey Frame Clr Lens R

Part No.
005-193

Quantity
40/ctn



AC Unitek Double R/V

Part No.
005-826L

Quantity
48/ctn



Ctsy Light No Mount

Part No.
005-068NM

Quantity
50/ctn



Ctsy Black

Part No.
005-168-02

Quantity
50/ctn



Autotek Aircraft Light Single Black

Part No.
005-725-02-2

Quantity
1/ctn



Replacement Straight Handle

Overall Length 12" : Width 1"

Part No.
005-E5300-D

Quantity: Bulk



Lighted Assist Handle - Curved Overall Length – 21"

Top screw to bottom screw – 18-7/8"

Handle – 11-1/2"

Brackets: Sm. – 4"; Lg. – 8-1/4"

Between screw holes: Sm. – 3-1/2"

Lg. – 6-3/8"

Part No.
005-5500-L

Quantity
1/ctn



Dome Light Flush Mnt W/G R/V

Part No.
005-257S

Quantity
40/ctn



Replacement Curved Handle

Overall Length 11-1/2" : Width 1"

Part No.
005-E5000-D

Quantity: Bulk



Lighted Assist Handle - Straight (927) Overall Length – 17 1/2"

Top screw to bottom screw – 16-1/2"

Handle – 12"

Bracket – 4"

Between screw holes – 3-1/2"

Part No.
005-5300-L

Quantity
1/ctn



LITECO Products

Peanut Light w.194 Bulb

Part No.
005-128

Quantity
10/ctn



**Bulb Co-Pilot #1816 Peng copilet
.33amps**

Part No.
005-10013

Quantity
10/ctn



Bulb Hlgn 12V 10W (1651-H)

Part No.
005-30655010

Quantity
10/ctn



**2-Bulb Slimline Incandescent Light w/
Dual Switch**

Part No.
005-18543936

Quantity
1/ctn



**Brushed Nickel Aurora Directional
Lights-Black Switch**

Part No.
005-04010040

Quantity
1/ctn



White Oval Courtesy Light

Part No.
005-24077-64

Quantity
1/ctn



Strap Small w/insert Black

Part No.
005-01180071

Quantity
25/ctn



Stargazer Dbl w/168 Bulb

Part No.
005-06002001

Quantity
48/ctn



**Co Pilot w/18"
Flexible Shaft**

Part No.
005-03001150

Quantity
20/ctn



**Europa Dbl Blk
w/Blk Globes**

6" x 2-7/8" x 2-1/4"

Part No.
005-06001037

Quantity
20/ctn



**Europa Sng Blk
w/Blk Globe**

Part No.
005-06001048

Quantity
20/ctn



**AC Autotek Double
Blk-2 Way V**

Part No.
005-726-02-2

Quantity
100/ctn



Surface Shields®



Carpet Shield® Self-adhesive Film

Carpet Shield is a clear, self-adhering protective film for all types of carpeting. Carpet Shield's non-slip surface is a special blend of polyethylene which is highly resistant to tears or punctures. This product is ideal during remodeling, painting and moving. It also minimizes clean-up time and damage claims. Carpet Shield is available in a variety of sizes.

- 022-CS2130W** 21" x 30' Counter/Shelf Display – 12 Pack
- 022-CS12200** 12" x 200' Reverse Wound
- 022-CS18200** 18" x 200' Reverse Wound
- 022-CS18600** 18" x 600' Reverse Wound
- 022-CS181000** 18" x 1000' Reverse Wound
- 022-CS21200** 21" x 200' Reverse Wound
- 022-CS211000** 21" x 1000' Reverse Wound
- 022-CS24200L** 24" x 200' Reverse Wound
- 022-CS241000** 24" x 1000' Reverse Wound
- 022-CSS21200RV** 21" x 200' RV Carpet Shield, Reverse Wound
- 022-CSS211000RV** 21" x 1000' RV Carpet Shield, Reverse Wound



Double Polish Protection Film

Double Polish is a clear 8 mil PVC film that is both strong and durable. Designed to provide long-term carpet protection during transportation, storage or display of RV's and manufactured homes.

- 022-DPC35150** 35" x 150' Clear Film



Multi Surface Protection Film

Multi Surface Protection Film is a durable, self-adhering protective film for hard surfaces such as tile, marble, granite, vinyl, VCT, laminates and factory finished hardwood. It's not only great for floor protection, but it can be used to prevent damage to most counter tops, tubs, sinks, doors and more! Multi Surface Protection Film is ideal for remodeling, painting, moving, model home tours and parties. It is a true multipurpose product!

- 022-FS24200L** 24" x 200' Reverse Wound *Green*
- 022-FS24500** 24" x 500' Reverse Wound *Green*



Surface Shields®

Shoe Covers Dirt and Scuff Protection

Protect flooring and footwear with Surface Shields brand shoe covers. Available in three different materials, these shoe covers provide protection at most jobsites. The plastic shoe covers are great for outside use and the cloth are perfect to protect flooring from dirt, scuffs and skids. The polyethylene coated shoe covers are skid resistant and waterproof.



022-SC3001PB	Cloth Covers - 10 Pair Retail Pk.	<i>Blue</i>
022-SC300	Cloth Covers - 100 Pair Bulk Pk.	<i>Blue</i>

Scrim Shield™

- Bottom board repair tape
- Permanent and waterproof
- Woven polyethylene fabric, solid-coated with aggressive adhesive
- Can be applied in below freezing conditions
- Use for repairing or seaming bottom board, tarps and house wrap



022-BP4180	4in x 60yds (101mm x 54.8m)	<i>Black</i>
022-BP6180	6in x 60yds (152mm x 54.8m)	<i>Black</i>
022-BP2825	28in x 25ft (711mm x 7.62m)	<i>Black</i>
022-BB1470	14ft x 70ft (non-adhesive)	<i>Black</i>

Painter's Grade Blue Tape

- Medium tack, rubber adhesive
- Residue free
- Suitable for 14 day clean removal



022-BT34180	.75in x 60yds (18mm x 54.8m)	<i>Blue</i>
022-BT1180	1in x 60yds (24mm x 54.8m)	<i>Blue</i>
022-BT15180	1.5in x 60yds (36mm x 54.8m)	<i>Blue</i>
022-BT2180	2in x 60yds (48mm x 54.8m)	<i>Blue</i>

Utility Grade Duct Tape

- Versatile polyethylene coated cloth tape
- High tack adhesive bond
- Easy tear cloth tape



022-DUG48S	2in x 60yds (48mm x 54.8m)
022-DUG48B	2in x 60yds (48mm x 54.8m)

Silver Foil Tape

- Used for vapor barrier protection, waterproof sealing, heat reflection & dissipation, masking in paint stripping and electroplating
- Malleable foil conforms well to irregular and curved surfaces
- Performs well at both low and elevated temperatures
- Can be applied at low temps



022-AFT322	2in x 150ft (48mm x 50yds)	<i>Silver</i>
-------------------	----------------------------	---------------

Close Up Tapes

- White conformable polyethylene film single coated with an aggressive, low residue natural rubber pressure sensitive adhesive formulation
- Use for splicing, seaming, patching and holding of poly sheeting such as close off poly films, floor protective poly films and air barrier house wrap films



022-1362	2in x 108ft	<i>White</i>
022-1364	4in x 108ft	<i>White</i>

Sika

SikaSil GP

SikaSil silicone is an acetoxy-curing low modulus sealant used for general seam sealing in interior and exterior applications. It has excellent adhesion to metals, glass, plastic & fiberglass. SikaSil GP has excellent weather stability, is solvent free and is mold & mildew resistant. Highly UV Resistant.

AP Par#	Description
017-189150	SikaSil GP Clear Silicone 295 ML cart
017-189151	SikaSil GP White Silicone 295 ML cart



Sikasil® WS-290

Sikasil® WS-290 is a one-part, neutral-curing, low-modulus silicone sealant that cures to a durable, flexible building sealant. Sikasil® WS-290 performs exceptionally well under dynamic conditions due to its low modulus, high extension/compression, recovery properties and strong adhesion to most building materials. Sikasil® WS-290 accommodates long-term movement of +100-50% in properly designed joints and is particularly well suited for use in exterior Insulation. UV Resistant

AP Par#	Description
017-412128	SikaSil WS-290 Low mod Black 295 ML cart
017-412302	SikaSil WS-290 Low mod Limestone 295 ML cart
017-412301	SikaSil WS-290 Low mod Med Bronze 295 ML cart
017-412300	SikaSil WS-290 Low mod Bronze 295 ML cart
017-412304	SikaSil WS-290 Low mod Colonial White 295 ML cart



Sikasil® N- Plus

Sikasil® N-Plus Sikasil®-N Plus US is a general purpose, neutral cure silicone sealant used for interior and exterior applications. It delivers excellent adhesion to most substrates without surface treatments. Sikasil® N-Plus is highly UV resistant with excellent weather stability and is mold and mildew resistant. Sikasil N-Plus offers excellent sealing joint flexibility for dynamic moving parts. Elongation of 430%, 300 psi tensile strength and 30 minute tack free time.

AP Part#	Description
017-412406	SikaSil N Plus Clear 295 ML cart
017-415697	SikaSil N Plus Aluminum Gray 295 ML cart
017-412136	SikaSil N Plus White 295 ML cart



Sika Multiseal Plus

Sika MultiSeal Plus is a self-adhering, multi-purpose roofing repair tape that, combines an advanced copolymer mastic that exhibits aggressive adhesion with a flexible, non-release, tear proof, UV resistant TPO membrane to create a fast, easy to apply, permanent watertight seal. Sika MultiSeal Plus bonds to a wide range of surfaces including challenging roof materials. The flexible non-release membrane allows the product to adhere to itself so that it can be stretched, cut and folded around intricately shaped roofing accessories to stop water penetration



AP Part#	Description	Color
017-413832	2" x 50' Roll	White Membrane
017-413830	3" x 50' Roll	White Membrane
017-413828	4" x 50' Roll	White Membrane
017-404033	6" x 50' Roll	White Membrane
017-413827	2" x 50' Roll	Gray Membrane
017-413831	3" x 50' Roll	Gray Membrane
017-413829	4" x 50' Roll	Gray Membrane
017-404096	6" x 50' Roll	Black Membrane
017-413828-5	4" x 5' Roll	White Membrane
017-413828-25	4" x 25' Roll	White Membrane

Sika®-Aktivator/Cleaner 205

Sika®-Aktivator/Cleaner 205 is a special adhesion promoting solution for the pretreatment of bonding surfaces prior to bonding or sealing with Sikaflex® products. Sika®-Aktivator/Cleaner 205 improves adhesion and gives a more weather-resistant bond or seal on a variety of substrates, particularly: metals, many plastics, many types of paints and lacquer finishes.

AP Part#	Description
017-108616	Sika Aktivator/Cleaner 205 250 ML Bottle



Sikaflex®-201

Sikaflex® -201 US is a one component moisture curing polyurethane with great elasticity. This flexible all purpose sealant is formulated for applications that require significant joint movement. It has a two to four hour tack free time allowing ample tooling time for large jobs. Sikaflex® -201 US is weather resistant, sandable and paintable; it is non-sagging, flexible, durable and non-staining.

AP Part#	Description
017-90852	Sikaflex 201 White 300 ML cart
017-108220	Sikaflex 201 Tan 300 ML cart



Sikaflex®-221

Sikaflex® -221 is the most well known brand of one component polyurethane sealant/adhesive in the world. Our workhorse. This fast curing product provides permanent elastic adhesion to a number of surfaces with excellent cut and tear resistance. Considered by many to be the ultimate choice in truck, trailer, RV and bus manufacturing. Designed to resist the shock and abuse encountered over countless road miles, Sikaflex® -221 will maintain its strength and adhesion over the long haul. Sikaflex® -221 is weather resistant, sandable, paintable and NSF approved for potable water and incidental food contact.

AP Part#	Description
017-90892	Sikaflex 221 Alum Gray 300 ML cart
017-90893	Sikaflex 221 Black 300 ML cart
017-106449	Sikaflex 221 Colonial White 300 ML cart
017-90891	Sikaflex 221 White 300 ML cart



Sikaflex®-252

The original elastic bonding adhesive, Sikaflex®-252 offers great adhesive strength coupled with elasticity. This combination bonds and seals at the same time, offers excellent gap filling capabilities and compensates for loose tolerances in the building process. Strong enough to sharply reduce or even completely eliminate traditional fastening systems such as welds, rivets, screw and bolts. Excellent Green Strength means reduced clamping time. Bonds to a wide variety of substrates. Some surface prep is generally recommended. Sandable, paintable and NSF approved for incidental food contact.

AP Part#	Description
017-90915	Sikaflex 252 White 10.5 oz cart
017-90916	Sikaflex 252 Black 10.5 oz cart



Sikaflex®-291

Sikaflex® -291 is a 1-component, polyurethane elastomeric adhesive and sealant. Its fast cure time makes it ideal for applications where speed is important. It has excellent adhesion to gelcoat, fiberglass, metal and wood. It may be squeezed or brushed in place. Sikaflex® -291 can be overpainted after the product is tack-free and can be sanded after full cure.

AP Part#	Description
017-90919	Sikaflex 291 White 300 ML cart
017-90923	Sikaflex 291 Black 300 ML cart



Sikaflex®-505 UV HV

Sikaflex®-505 UV HV is a one-component silane terminated polymer (STP) sealant containing no solvents or isocyanates with excellent UV and weathering resistance. Sikaflex-505 UV HV offers 60 minute tack free time with excellent adhesion to a wide variety of substrates with little or no surface treatment, has excellent tooling characteristics and non-yellowing.

AP Part#	Description
017-415763	Sikaflex 505 UV HV White 300 ML cart



Sikaflex®-715

Sika® has dedicated considerable resources in developing a roof sealant for EPDM roof membrane. The result is a novel solution in RV roof sealing! Sikaflex®-715, is a cross-linking “chemical curing flexible, elastic, and durable roof sealant”. This curing process imparts a highly elastic internal strength not found in traditional RV roof sealant products. Sikaflex-715 will bond to a variety of roofing component substrates. Unlike other roofing sealants, Sikaflex®-715 has very low VOC's and won't crack under the most extreme conditions! Traditional roof sealants have high shrink characteristics and crack when exposed to the environment. Sikaflex®-715 provides peace of mind!

AP Part#	Description
017-187690	Sikaflex 715 Roof Sealant 300 ML cart



STA'-PUT

STA'-PUT Spray Adhesive (SPM)

The superior bond strength properties and exceptional tack makes SPM an excellent choice for most permanent or temporary adhesive applications. SPM is resistant to water, combines exceptional tack with high shear strength, is fast drying and has a long working time, making the product ideal for a wide variety of applications.

STA'-PUT SPM was designed to be used as a multi-purpose product. The pressure sensitive qualities make this product suitable for a variety of applications within the general construction, manufactured housing, RV, aviation, marine, HVAC, textile, and upholstery industries. It can be used on porous and many non-porous surfaces. (Formerly Green Can)

The ideal application temperature for **STA'-PUT** is 70°F/38°C.

Part#	Description	Quantity
001-SPM16ACC	STA'-PUT Spray Adhesive	16 oz.



STA'-PUT Spray Adhesive for Polystyrene Foam (SPII)

STA'-PUT SPII is a pressure sensitive adhesive specifically formulated for bonding expanded polystyrene foam (EPS) to itself and other materials. Superior bond strength properties and exceptional tack makes STA'-PUT SPII an excellent choice for most temporary and permanent EPS applications. SPII provides high shear strength, heat/ UV stability, water resistance, fast drying and a long working time.

STA'-PUT SPII was specifically designed for bonding expanded polystyrene (EPS) to itself or to various substrates. The adhesive's pressure and bonding properties make the product suitable for a variety of applications within the manufactured housing, RV, marine, refrigeration, and general construction industries. SPII can also be used for exhibit displays, theater scenery, and various crafts. It can be used on porous and many non-porous surfaces. (Formerly Blue Can)

The ideal application temperature for **STA'-PUT** is 70°F/38°C.

Part#	Description	Quantity
001-SP213ACC	STA'-PUT Spray Adhesive for Polystyrene Foam	13 oz.



STA'-PUT Adhesive Remover (SPR)

STA'-PUT S203 is a biodegradable, natural solvent cleaner, degreaser and adhesive remover. It can be used safely on most surfaces and substrates, including painted surfaces, glass, porcelain, concrete, many plastics and vinyl. S203 can be used to remove adhesives, grease, oil stains, road tar, rubber marks, and many others. S203 has a pleasant citrus scent. (Formerly Orange Can)

The ideal application temperature for **STA'-PUT** is 70°F/38°C.

Part#	Description	Quantity
001-S203	STA'-PUT S203 Clear	14 oz.



STA'-PUT Spray Adhesive Clear (SPH)

The superior bond strength properties and exceptional tack makes SPH an excellent choice for most permanent adhesive applications. SPH has high shear strength, heat/ UV stability, water resistance, fast drying and a long working time.

STA'-PUT SPH was specifically designed for bonding high-pressure laminate to various substrates. The adhesive's pressure sensitive qualities make the product suitable for a variety of industrial applications including; manufactured housing, general construction, RV, marine, woodworking, furniture, textile, HVAC, and the upholstery industries. It can be used on porous and many non-porous surfaces. (Formerly Red Can)

The ideal application temperature for **STA'-PUT** is 70°F/38°C.

Part#	Description	Quantity
001-SPH15ACC	STA'-PUT Spray Adhesive Clear	15 oz.



Spray Paint

Dap Touch 'N Tone



003-55273



003-55274



003-55275



003-55281



003-55285



003-55276



003-55277



003-55279

Part#	Description	Color	Qty
003-55273	10 oz Sprays	Aluminum	6
003-55274	10 oz Sprays	Gloss White	6
003-55275	10 oz Sprays	Flat Black	6
003-55276	10 oz Sprays	Gloss Black	6
003-55277	10 oz Sprays	Leather Brown	6
003-55279	10 oz Sprays	Primer Gray	6
003-55280	10 oz Sprays	Flat White	6
003-55281	10 oz Sprays	Antique White	6
003-55285	10 oz Sprays	Almond	6
003-55286	10 oz Sprays	Clear Acrylic	6
003-55288	10 oz Sprays	Dove Gray	6

Spray 'N Go Fast Dry Decorative Enamel



003-51110



003-51103



003-51107

Part#	Description	Color	Qty
003-51103	12 oz Sprays	Gloss White	6
003-51104	12 oz Sprays	Gloss Black	6
003-51110	12 oz Sprays	Flat Black	6
003-51124	12 oz Sprays	Beige	6
003-51127	12 oz Sprays	Gray Primer	6

Tools

Hand Nut Drivers



- 009-ND1/4** 1/4 Drive 6-1/2" Long with Large Handle (Not Carded)
- 009-ND1/4C** 1/4 Drive 6-1/2" Long with Large Handle (Carded)
- 009-NDL1/4** 1/4 Drive 9-1/2" Long with Large Handle (Not Carded)
- 009-NDL1/4C** 1/4 Drive 9-1/2" Long with Large Handle (Carded)
- 009-ND5/16** 5/16 Drive 6-1/2" Long with Large Handle (Not Carded)
- 009-ND5/16C** 5/16 Drive 6-1/2" Long with Large Handle (Carded)
- 009-ND3/8** 3/8 Drive 6-1/2" Long with Large Handle (Not Carded)
- 009-ND3/8C** 3/8 Drive 6-1/2" Long with Large Handle (Carded)

Combination Screwdrivers



- 009-4-IN1CRC** 7-1/2 O.A.L. 5/16 Drive, #1 & #2 Square, 5/16 Drive 5/32 & 3/16 Clutch (Carded)
- 009-4-IN1PRC** 7-1/2 O.A.L. 5/16 Drive, #1 & #2 Phillips, 5/16 Drive #1 & #2 Square (Carded)
- 009-4IN-1PSR** 7-1/2 O.A.L. 5/16 Drive, #1 Phil & 3/16 Slot, 5/16 Drive #1 & #2 Square (Not Carded)
- 009-6IN-1C** 7-1/2 O.A.L. 1/4 Drive, #1 & #2 Phil, 5/16 Drive 3/16 & 5/16 Slot (Carded)
- 009-6IN-1PRC** 7-1/2 O.A.L. 1/4 Drive, #1 & #2 Phil, #1 & #2 Square (Carded)
- 009-PC2-IN-1C** 4-3/4 O.A.L. 3/16 Drive, #1 Phil & 3/16 Slot, with Pocket Clip (Carded)

Square Recess Screwdrivers



- 009-HDQB0** #0 Point Standard Model (Not Carded)
- 009-HDQB0C** #0 Point Standard Model (Carded)
- 009-HDQB1** #1 Drive Standard Model (Not Carded)
- 009-HDQB1C** #1 Drive Standard Model (Carded)
- 009-HDQB2** #2 Drive Standard Model (Not Carded)
- 009-HDQB2C** #2 Drive Standard Model (Carded)
- 009-HDQB3** #3 Drive Standard Model (Not Carded)
- 009-HDQB3C** #3 Drive Standard Model (Carded)
- 009-HDQB2L** #2 Drive Large Handle (Not Carded)
- 009-HDQB2LC** #2 Drive Large Handle (Carded)
- 009-QD1** #1 Drive Economy Model (Not Carded)
- 009-QD1C** #1 Drive Economy Model (Carded)
- 009-QD2** #2 Drive Economy Model (Not Carded)
- 009-QD2C** #2 Drive Economy Model (Carded)

Torx Screwdrivers



- 009-HDT15** #15 Drive Plastic Handle (Not Carded)
- 009-HDT15C** #15 Drive Plastic Handle (Carded)
- 009-HDT20** #20 Drive Plastic Handle (Not Carded)
- 009-HDT20C** #20 Drive Plastic Handle (Carded)

Clutch Screwdrivers



- 009-C3** 5/32 Drive Plastic Handle (Not Carded)
- 009-C3C** 5/32 Drive Plastic Handle (Carded)
- 009-C4** 3/16 Drive Plastic Handle (Not Carded)
- 009-C4C** 3/16 Drive Plastic Handle (Carded)

16-In-1 Screwdriver



- 009-16-IN-1** #0 & #1 Phillips, #2 & #3 Phillips, 3/16 & 1/4 Slotted, 5/32 & 7/32 Slotted, #0 & #1 Square, #2 & #3 Square, #10 & #15 Torx, #20 & #25 Torx (Carded)

Tools

Magnetic Screwdrivers



- 009-M5 IN 1 LTC** Aluminum 8" O.A.L. 000T10 Torx, 000T15 Torx, 000T20 Torx, 000T25 Torx, and 000T30 Torx (Carded)
- 009-M5IN1PST** Aluminum 8" O.A.L. 5/16 Nut Setter, 1/4 Nut Setter, #1 & #2 Phillips, #4 & #8 Slotted (Not Carded)
- 009-M5IN1PSTC** Aluminum 8" O.A.L. 5/16 Nut Setter, 1/4 Nut Setter, #1 & #2 Phillips, #4 & #8 Slotted (Carded)
- 009-M6 IN 1 MC** Aluminum 8" O.A.L. 250SS6 Slot, 250SS8 Slot, 4P1 & 4P2 & 4P3 Phil, 000F2 Frearson (Carded)
- 009-RVM5IN1AB** Aluminum 8" O.A.L. 250SS8 Slot, 4P2 Phil, 250 RI Square, 250R2 Square, & 000C3 Clutch (Not Carded)
- 009-RVM5IN1AC** Aluminum 8" O.A.L. 250SS8 Slot, 4P2 Phil, 250R1 Square, 250R2 Square, and 000C3 Clutch (Carded)
- 009-RVM5IN1SSB** Stainless 8" O.A.L. 250SS8 Slot, 4P2 Phil, 250R1 Square, 250R2 Square, and 000C3 Clutch (Not Carded)
- 009-RVM5IN1SSC** Stainless 8" O.A.L. 250SS8 Slot, 4P2 Phil, 250R1 Square, 250R2 Square, and 000C3 Clutch (Carded)
- 009-RVM51BSC** Replacement Bits For RVM5IN1 250SS8 Slot, 4P2 Phil, 250R1 Square, 250R2 Square, and 000C3 Clutch

Screwdriver Kits



- 009-TT9** Includes: ND1/4 Hand Nut Driver, 4-IN-1 Combination Screwdriver, 4-IN-1CR Combination Screwdriver, SA37W Awl (Bagged)
- 009-4SDS** Includes: ND1/4 Hand Nut Driver, 4-IN-1 Combination Screwdriver, CS Clutch Screwdriver, HDQB2 Square Recess Screwdriver (Bagged)
- 009-RV9SDSC** Includes: 250R1 & 250R2 Square Recess Bits, 250SS8 Slotted Bit, 4P1 & 4P2 Phillips Bit, 000C3 Clutch Bit, MSHS1/4 & MSHS 5/16 Mag. Nut Setters, MBH1/4 Magnetic Bit Holder, PBH7 Plastic Bit Holder (Carded)
- 009-AC8SDSC** Includes: 250SS4 & 250SS6 & 250SS8 Slotted Bits, 4P1 & 4P2 & 4P3 Phillips Bit, MSHS1/4 Mag. Nut Setters, MBH1/4 Magnetic Bit Holder, PBH7 Plastic Bit Holder (Carded)

Pipe Cutters



- 009-MPC1** For use on 1/8" - 5/8" Copper, Brass, or Aluminum Tubing (Not Carded)
- 009-PC2** For use on 1/8" - 1-1/8" Copper, Brass, or Aluminum Tubing (Not Carded)

Flaring Tools



- 009-TFT3** For 3/16" - 5/8" O.D. Tubing (Not Carded)

Aluminum/Aluminum Blind Rivets



- 009-AA42D100** 1/8 Rivet Diam, 1/8 Grip Range, 100/box
- 009-AA44D100** 1/8 Rivet Diam, 1/4 Grip Range, 100/box
- 009-AA46D100** 1/8 Rivet Diam, 3/8 Grip Range, 100/box
- 009-AA48D100** 1/8 Rivet Diam, 1/2 Grip Range, 100/box
- 009-AA64D100** 3/16 Rivet Diam, 1/4 Grip Range, 100/box
- 009-AA66D100** 3/16 Rivet Diam, 3/8 Grip Range, 100/box
- 009-AA68D100** 3/16 Rivet Diam, 1/2 Grip Range, 100/box

Slotted And Phillips Bits

Phillips Power Bits

Part#	Description
009-42P1	1/4 X 2" Drive by Lgth, #1 (Not Carded)
009-42P1C	1/4 X 2" Drive by Lgth, #1 (Carded)
009-42P2	1/4 X 2" Drive by Lgth, #2 (Not Carded)
009-42P2C	1/4 X 2" Drive by Lgth, #2 (Carded)
009-42P2-50	1/4 X 2" Drive by Lgth, #2 (100 Piece Box)
009-42P3	1/4 X 2" Drive by Lgth, #3 (Not Carded)
009-42P3C	1/4 X 2" Drive by Lgth, #3 (Carded)
009-43P1	1/4 X 2-3/4" Drive by Lgth, #1 (Not Carded)
009-43P2	1/4 X 2-3/4" Drive by Lgth, #2 (Not Carded)
009-43P2C	1/4 X 2-3/4" Drive by Lgth, #2 (Carded)
009-43P3	1/4 X 2-3/4" Drive by Lgth, #3 (Not Carded)
009-43P3C	1/4 X 2-3/4" Drive by Lgth, #3 (Carded)
009-46P1	1/4 X 6" Drive by Lgth, #1 (Not Carded)
009-46P2	1/4 X 6" Drive by Lgth, #2 (Not Carded)
009-46P2C	1/4 X 6" Drive by Lgth, #2 (Carded)



Phillips Insert Bits

Part#	Description
009-4P1	1/4 X 1" Drive by Lgth, #1 (Not Carded)
009-4P1C	1/4 X 1" Drive by Lgth, #1 (Carded)
009-4P2	1/4 X 1" Drive by Lgth, #2 (Not Carded)
009-4P2C	1/4 X 1" Drive by Lgth, #2 (Carded)
009-4P2-100	1/4 X 1" Drive by Lgth, #2 (100 Piece Box)
009-4P3	1/4 X 1" Drive by Lgth, #3 (Not Carded)
009-4P3C	1/4 X 1" Drive by Lgth, #3 (Carded)
009-4P3C	1/4 X 2-3/4" Drive by Lgth, #1 (Not Carded)



Slotted Power Bits

Part#	Description
009-20-6S	1/4 X 1-15/16" Drive by Lgth, 5F-6R (Not carded)
009-20-7S	1/4 X 1-15/16" Drive by Lgth, 6F-7R (Not carded)
009-20-7SC	1/4 X 1-15/16" Drive by Lgth, 6F-7R (Carded)
009-20-8S	1/4 X 1-15/16" Drive by Lgth, 8F-10R (Not carded)



Slotted Insert Bits

Part#	Description
009-250SS4	1/4 X 1" Drive by Lgth, 4F-5R (Not carded)
009-250SS4C	1/4 X 1" Drive by Lgth, 4F-5R (Carded)
009-250SS6	1/4 X 1" Drive by Lgth, 6F-7R (Not carded)
009-250SS6C	1/4 X 1" Drive by Lgth, 6F-7R (Carded)
009-250SS8	1/4 X 1" Drive by Lgth, 8F-10R (Not carded)
009-250SS8C	1/4 X 1" Drive by Lgth, 8F-10R (Carded)
009-250SS10	1/4 X 1" Drive by Lgth, 12F-14R (Not carded)
009-250SS10C	1/4 X 1" Drive by Lgth, 12F-14R (Carded)



Star Insert Bits

Part#	Description
009-000T10	1/4 X 1" Drive by Lgth, #10 (Not carded)
009-000T15	1/4 X 1" Drive by Lgth, #15 (Not carded)
009-000T15C	1/4 X 1" Drive by Lgth, #15 (Carded)
009-000T20	1/4 X 1" Drive by Lgth, #20 (Not carded)
009-000T20C	1/4 X 1" Drive by Lgth, #20 (Carded)
009-000T25	1/4 X 1" Drive by Lgth, #25 (Not carded)
009-000T25C	1/4 X 1" Drive by Lgth, #25 (Carded)
009-000T40	1/4 X 1" Drive by Lgth, #40 (Not carded)
009-000T40C	1/4 X 1" Drive by Lgth, #40 (Carded)



Double End Bit

009-DEB28	1/4 Hex Drive 2" Lgth, Screw Size #2 Phillips & #8 Slotted (Not carded)
-----------	---



Shanks For Reversible Socket

009-2SHS	Roll Pin 1/4" Hex, 2" Lgth, 1/4 Drive Size (Not Carded)
----------	---



Square Recess And Clutch Bits

Square Recess Power Bits

Part#	Description
009-250QB2P3C	1/4 X 3" Drive by Lgth, #2 (Carded)
009-250QB3P3C	1/4 X 3" Drive by Lgth, #3 (Carded)
009-250QB2P4	1/4 X 4" Drive by Lgth, #2 (Not Carded)
009-250QB2P4C	1/4 X 4" Drive by Lgth, #2 (Carded)
009-250QB2P6	1/4 X 6" Drive by Lgth, #2 (Not Carded)
009-250QB2P6C	1/4 X 6" Drive by Lgth, #2 (Carded)
009-250QB1P	1/4 X 2" Drive by Lgth, #1 (Not Carded)
009-250QB1PC	1/4 X 2" Drive by Lgth, #1 (Carded)
009-250QB2P	1/4 X 2" Drive by Lgth, #2 (Not Carded)
009-250QB2PC	1/4 X 2" Drive by Lgth, #2 (Carded)
009-250QB3P	1/4 X 2" Drive by Lgth, #3 (Not Carded)
009-250QB3PC	1/4 X 2" Drive by Lgth, #3 (Carded)
009-250QB1P3C	1/4 X 3" Drive by Lgth, #1 (Carded)
009-250QB2P3	1/4 X 3" Drive by Lgth, #2 (Not Carded)



Clutch Power Bits

Part#	Description
009-100A2	1/4X1-15/16" Drive by Lgth, 1/8-A (Not Carded)
009-100A2C	1/4X1-15/16" Drive by Lgth, 1/8-A (Carded)
009-100A3	1/4X1-15/16" Drive by Lgth, 5/32-A (Not Carded)
009-100A3C	1/4X1-15/16" Drive by Lgth, 5/32-A (Carded)
009-100A4	1/4X1-15/16" Drive by Lgth, 3/16-A (Not Carded)
009-100A4C	1/4X1-15/16" Drive by Lgth, 3/16-A (Carded)
009-100C3	1/4X1-15/16" Drive by Lgth, 5/32-G (Not Carded)
009-100C3C	1/4X1-15/16" Drive by Lgth, 5/32-G (Carded)
009-100C4	1/4X1-15/16" Drive by Lgth, 3/16-G (Not Carded)
009-100C4C	1/4X1-15/16" Drive by Lgth, 3/16-G (Carded)



Square Recess Insert Bits

Part#	Description
009-250R1	1/4 X 1" Drive by Lgth, #1 (Not Carded)
009-250R1C	1/4 X 1" Drive by Lgth, #1 (Carded)
009-250R2	1/4 X 1" Drive by Lgth, #2 (Not Carded)
009-250R2C	1/4 X 1" Drive by Lgth, #2 (Carded)
009-250R3	1/4 X 1" Drive by Lgth, #3 (Not Carded)
009-250R3C	1/4 X 1" Drive by Lgth, #3 (Carded)



Clutch Insert Bits

Part#	Description
009-000A3	1/4 X 1-1/4" Drive by Lgth, 5/32-A
009-000A3C	1/4 X 1-1/4" Drive by Lgth, 5/32-A (Carded)
009-000A4	1/4 X 1-1/4" Drive by Lgth, 3/16-A (Not Carded)
009-000A4C	1/4 X 1-1/4" Drive by Lgth, 3/16-A (Carded)
009-000C3	1/4 X 1-1/4" Drive by Lgth, 5/32-G (Not Carded)
009-000C3C	1/4 X 1-1/4" Drive by Lgth, 5/32-G (Carded)
009-000C4	1/4 X 1-1/4" Drive by Lgth, 3/16-G (Not Carded)
009-000C4C	1/4 X 1-1/4" Drive by Lgth, 3/16-G (Carded)



Magnetic Reversible Socket

009-MRS1/4C Straight 1/4" Hex, 1" Drive by Lgth (Carded)



Magnetic Power Bit Holder

009-304CR 1/4 X 3" Drive by Lgth, 1/4 (Not Carded)
 009-304CRC 1/4 X 3" Drive by Lgth, 1/4 (Carded)



Non-Magnetic Sockets

009-250ST1/4 Tapered 1/4" Square Driver, Lgth 1, Drive 1/4 (Not Carded)

009-250ST5/16 Tapered 1/4" Square Driver, Lgth 1, Drive 5/16 (Not Carded)



Tapered



Shoulder

Non-Magnetic Power Bit Holder

009-BH1/4 1/4 X 2" Drive by Lgth, 1/4 (Not Carded)
 009-BH1/4C 1/4 X 2" Drive by Lgth, 1/4 (Carded)



Sockets And Nutsetters

Magnetic Sockets



Tapered	Shoulder
009-250MS1/4	Shoulder 1/4" Square Driver, Lgth 1, Drive 1/4 (Not Carded)
009-250MST1/4	Tapered 1/4" Square Driver, Lgth 1, Drive 1/4 (Not Carded)
009-250MST1/4C	Tapered 1/4" Square Driver, Lgth 1, Drive 1/4 (Carded)
009-250MS5/16	Shoulder 1/4" Square Driver, Lgth 1, Drive 5/16 (Not Carded)
009-250MS5/16C	Shoulder 1/4" Square Driver, Lgth 1, Drive 5/16 (Carded)
009-250MST5/16	Tapered 1/4" Square Driver, Lgth 1, Drive 5/16 (Not Carded)
009-250MST5/16C	Tapered 1/4" Square Driver, Lgth 1, Drive 5/16 (Carded)
009-250MS3/8	Tapered 1/4" Square Driver, Lgth 1, Drive 3/8 (Not Carded)
009-250MS3/8C	Tapered 1/4" Square Driver, Lgth 1, Drive 3/8 (Carded)

Magnetic Power Nutsetters



009-104	1/4X1-3/4" Drive by Lgth, 1/4 (Not Carded)
009-104C	1/4X1-3/4" Drive by Lgth, 1/4 (Carded)
009-104-50	1/4X1-3/4" Drive by Lgth, 1/4 (50 Piece Box)
009-105	1/4X1-3/4" Drive by Lgth, 5/16 (Not Carded)
009-105C	1/4X1-3/4" Drive by Lgth, 5/16 (Carded)
009-105-50	1/4X1-3/4" Drive by Lgth, 5/16 (50 Piece Box)
009-106	1/4X1-3/4" Drive by Lgth, 3/8 (Not Carded)
009-106C	1/4X1-3/4" Drive by Lgth, 3/8 (Carded)
009-MSH7/16	1/4X1-3/4" Drive by Lgth, 7/16 (Carded)
009-134	1/4X2-9/16" Drive by Lgth, 1/4 (Not Carded)
009-134C	1/4X2-9/16" Drive by Lgth, 1/4 (Carded)
009-135	1/4X2-9/16" Drive by Lgth, 5/16 (Not Carded)
009-135C	1/4X2-9/16" Drive by Lgth, 5/16 (Carded)
009-136	1/4X2-9/16" Drive by Lgth, 3/8 (Not Carded)
009-136C	1/4X2-9/16" Drive by Lgth, 3/8 (Carded)
009-MSHL1/4-4	1/4 X 4" Drive by Lgth, 1/4 (Not Carded)
009-MSHL1/4-4C	1/4 X 4" Drive by Lgth, 1/4 (Carded)
009-MSHL1/4-6	1/4 X 6" Drive by Lgth, 1/4 (Not Carded)
009-MSHL1/4-6C	1/4 X 6" Drive by Lgth, 1/4 (Carded)

Magnetic Power Tapered Nutsetters



009-MSHB1/4	1/4 X 2" Drive by Lgth, 1/4 (Not Carded)
009-MSHB1/4C	1/4 X 2" Drive by Lgth, 1/4 (Carded)

Non-Magnetic Power Nutsetters



009-SH1/4	1/4X1-3/4" Drive by Lgth, 1/4 (Not Carded)
------------------	--

Magnetic Insert Nutsetters



009-MSHS1/4	1/4X1-1/8" Drive by Lgth, 1/4 (Not Carded)
009-MSHS1/4C	1/4X1-1/8" Drive by Lgth, 1/4 (Carded)

Screws

MH/RV Screws - Unslotted Hex Washer Head

Part #	Ctn Qty	Mstr Ctn	Ctn Wgt	Finish
012-TRB-8 x 1/2	15M		44.25	Zinc/Painted
012-TRB-8 x 3/4	9.6M		39.50	Zinc/Painted
012-TRB-8 x 1	7.5M		39.60	Zinc/Painted
012-TRB-8 x 1-1/4	6M		35.70	Zinc/Painted
012-TRB-8 x 1-1/2	6.5M		34.75	Zinc/Painted
012-TRB-8 x 2	3.5M		32.00	Zinc/Painted
012-TRB-8 x 2-1/2	3M		36.00	Zinc/Painted
012-TR1000-8 x 1/2	1M	10M	33	Zinc/Painted
012-TR1000-8 x 3/4	1M	10M	42	Zinc/Painted
012-TR1000-8 x 1	1M	10M	53	Zinc/Painted
012-TR1000-8 x 1-1/4	1M	10M	70	Zinc/Painted
012-TR1000-8 x 1-1/2	1M	10M	78	Zinc/Painted
012-TR500-8 x 1/2	500	5M	18	Zinc/Painted
012-TR500-8 x 3/4	500	5M	22	Zinc/Painted
012-TR500-8 x 1	500	5M	28	Zinc/Painted
012-TR500-8 x 1-1/4	500	5M	32	Zinc/Painted
012-TR500-8 x 1-1/2	500	5M	37	Zinc/Painted
012-TR250-8 x 2	250	2.5M	24	Zinc/Painted
012-TR250-8 x 2-1/2	250	2.5M		Zinc
012-TR100-8 x 1/2	100	1M	4	Zinc/Painted
012-TR100-8 x 3/4	100	1M	5	Zinc/Painted
012-TR100-8 x 1	100	1M	6	Zinc/Painted
012-TR100-8 x 1-1/4	100	1M	7	Zinc/Painted
012-TR100-8 x 1-1/2	100	1M	8	Zinc/Painted
012-TR100-8 x 2	100	1M	10	Zinc/Painted
012-TR100-8 x 2-1/2	100	1M	11	Zinc
010-TR50-8 x 1/2	50	500	2	Zinc/Painted
012-TR50-8 x 3/4	50	500	4	Zinc/Painted
012-TR50-8 x 1	50	500	4	Zinc/Painted
012-TR50-8 x 1-1/4	50	500	5	Zinc/Painted
012-TR50-8 x 1-1/2	50	500	5	Zinc/Painted
012-TR50-8 x 2	50	500		Zinc/Painted
012-TR100-10 x 1	100	1M		Zinc
012-TR100-10 x 2	100	1M		Zinc

Ordering Painted Screws (may fall under special order):

Stocking colors: (W) Polar White, (BL) Black, (BR) Brown, (CO) Colonial White, (BZ) Bronze.

To indicate color, insert color code into part # blank. Example: 012-TR1000W8x1/2



Square Recess Screws - Pan Head

Part #	Ctn Qty	Mstr Ctn	Ctn Wgt	Finish
012-PSQB-8 x 3/4	9.6M			Zinc/Painted/Bronze
012-PSQB-8 x 1	7.5M			Zinc/Painted/Bronze
012-PSQB-8 x 1-1/4	6M		36	Zinc/Painted/Bronze
012-PSQB-8 x 1-1/2	5M		35	Zinc/Painted/Bronze
012-PSQB-8 x 2	3.5M			Zinc/Painted/Bronze
012-PSQB-8 x 3	1.5M			Zinc/Bronze
012-PSQ1000-8 x 5/8	1M	10M	40	Zinc
012-PSQ1000-8 x 3/4	1M	10M	42	Zinc/Painted/Bronze
012-PSQ1000-8 x 1	1M	10M	53	Zinc/Painted/Bronze
012-PSQ1000-8 x 1-1/4	1M	10M	70	Zinc/Painted/Bronze
012-PSQ1000-8 x 1-1/2	1M	10M	78	Zinc/Painted/Bronze
012-PSQ500-8 x 3/4	500	5M	21	Zinc/Painted/Bronze
012-PSQ500-8 x 1	500	5M	25	Zinc/Painted/Bronze
012-PSQ500-8 x 1-1/4	500	5M	29	Zinc/Painted/Bronze
012-PSQ500-8 x 1-1/2	500	5M	35	Zinc/Painted/Bronze
012-PSQ500-8 x 3	500	5M		Zinc/Bronze
012-PSQ250-8 x 2	250	2.5	23	Zinc/Painted
012-PSQ100-8 x 3	100	1M	16	Zinc/Bronze
012-PSQ50-8 x 3/4	50	500	3	Zinc/Painted/Bronze
012-PSQ50-8 x 1	50	500	3	Zinc/Painted/Bronze
012-PSQ50-8 x 1-1/4	50	500	4	Zinc/Painted/Bronze
012-PSQ50-8 x 1-1/2	50	500	4	Zinc/Painted/Bronze
012-PSQ50-8 x 2			5	Zinc/Painted

Ordering Painted Screws (may fall under special order):

Stocking colors: (W) Polar White, (BL) Black, (BR) Brown, (CO) Colonial White, (BZ) Bronze.

To indicate color, insert color code into part # blank.



Screws

Unslotted Hex Washer Head Self Drilling - Zinc Plate

Part #	Ctn Qty	Mstr Ctn	Ctn Wgt	Finish
1/4"				
012-DPB 8 x 1/2	10M			Zinc
012-DPB 8 x 3/4	10M			Zinc
012-DPB 8 x 1	8M			Zinc
012-DPB 8 x 1-1/4	6M			Zinc
012-DPB 8 x 1-1/2	5M			Zinc
3/8"				
012-DP500 8 x 1/2	500	5M	18	Zinc
012-DP500 8 x 3/4	500	5M	24	Zinc
012-DP500 8 x 1	500	5M	29	Zinc
012-DP500 8 x 1-1/4	500	5M	32	Zinc
012-DP500 8 x 1-1/2	500	5M	38	Zinc
1/2"				
012-DP100 8 x 1/2	100	1M	4	Zinc
012-DP100 8 x 3/4	100	1M	5	Zinc
012-DP100 8 x 1	100	1M	6	Zinc
012-DP100 8 x 1-1/2	100	1M	8	Zinc
5/8"				
012-DP50 8 x 1/2	50	500	2	Zinc
012-DP50 8 x 3/4	50	500	4	Zinc
012-DP50 8 x 1	50	500	4	Zinc
012-DP50 8 x 1-1/4	50	500	5	Zinc
012-DP50 8 x 1-1/2	50	500	5	Zinc
1"				
012-DP100 10 x 5/8	100	1M		Zinc
012-DP100 10 x 3/4	100	1M		Zinc
012-DP100 10 x 1	100	1M		Zinc
012-DP100 10 x 1-1/2	100	1M		Zinc
1 1/4"				
012-DP3/8B 14 x 3/1				Zinc
012-DP3/8B 14 x 1				Zinc
1 1/2"				
012-DP3/8 500 14 x 3/4	500			Zinc
012-DP3/8 500 14 x 1	500			Zinc
2"				
012-DP3/8 100 14 x 3/4	100			Zinc
012-DP3/8 100 14 x 1	100			Zinc



Flat Head - Square Recess Screws

Part #	Ctn Qty	Mstr Ctn	Ctn Wgt	Finish
012-FSQB-8 x 1	10M			Raw/Zinc
012-FSQB-8 x 1-1/2	8M			Raw/Bronze/Black/Zinc
012-FSQB-8 x 2	4.5M			Raw/Bronze/Black/Zinc
012-FSQB-8 x 2-1/2	2M			Raw/Bronze/Black/Zinc
012-FSQB-8 x 3	1M			Raw/Bronze/Black/Zinc
012-FSQB-8 x 4	1,000M			Raw
10-32"				
012-FSQ1000-8 x 1	1M	10M		Raw/Zinc
012-FSQ1000-8 x 1-1/2	1M	10M		Raw/Bronze/Black/Zinc
10-24"				
012-FSQ500-8 x 1	500	5M		Raw/Zinc
012-FSQ500-8 x 1-1/2	500	5M		Raw/Bronze/Black/Zinc
012-FSQ500-8 x 2	500	5M		Raw/Bronze/Black/Zinc
012-FSQ500-8 x 2-1/2	500	5M		Raw/Bronze/Black/Zinc
012-FSQ500-8 x 3	500	5M		Raw/Bronze/Black/Zinc
10-20"				
012-FSQ250-8 x 1-1/2	250	2.5M		Raw/Bronze/Black/Zinc
012-FSQ250-8 x 2	250	2.5M		Raw/Bronze/Black/Zinc
10-16"				
012-FSQ100-8 x 1-1/2	100	1M		Raw/Bronze/Black/Zinc
012-FSQ100-8 x 2	100	1M	10	Raw/Bronze/Black/Zinc
012-FSQ100-8 x 2-1/2	100	1M		Raw/Bronze/Black/Zinc
012-FSQ100-8 x 3	100	1M		Raw/Bronze/Black/Zinc
012-FSQ100-8 x 4	100	1M		Raw/Black/Zinc
10-10"				
012-FSQ25-8 x 1-1/2	25	250	2	Raw/Bronze/Black/Zinc
012-FSQ25-8 x 2	25	250	3	Raw/Bronze/Black/Zinc
012-FSQ25-8 x 2-1/2	25	250	3	Raw/Bronze/Black/Zinc
012-FSQ25-8 x 3	25	250		Raw/Bronze/Black/Zinc

Ordering Painted Screws (may fall under special order):

Stocking colors: (W) Polar White, (BL) Black, (BR) Brown, (CO) Colonial White, (BZ) Bronze.

To indicate color, insert color code into part # blank.



Screws

Tri-Screws - Pan Head Self Drilling - Zinc

Part #	Ctn Qty	Mstr Ctn	Ctn Wgt	Finish
012-PTKB 8 x 3/4	9.5M			Zinc
012-PTKB 8 x 1	7.5M			Zinc
012-PTKB 8 x 1-1/2	5M			Zinc
012-PTK 500 8 x 3/4	500			Zinc
012-PTK 500 8 x 1	500			Zinc
012-PTK 500 8 x 1-1/2	500			Zinc
012-PTK 100 8 x 3/4	100			Zinc
012-PTK 100 8 x 1	100			Zinc
012-PTK 100 8 x 1-1/2	100			Zinc



Tri-Drive Oval Head Screws

Part #	Ctn Qty	Mstr Ctn	Ctn Wgt	Finish
012-RTB-6 x 1	11M			Zinc/Painted
012-RTB-6 x 1-1/2	10M			Zinc/Painted
012-RT 500-6 x 1	500			Zinc
012-RT 500-6 x 1-1/2	500			Zinc/Painted
012-RT200-6 x 1-1/2	200	2M		Zinc/Painted
012-RT100-6 x 1	100			Zinc
012-RT100-6 x 1-1/2	100			Painted
012-RT50-6 x 1-1/2	50			Zinc/Painted

Ordering Painted Screws (may fall under special order):
Stocking colors: (W) Polar White, (BL) Black, (BR) Brown,
(CO) Colonial White, (BZ) Bronze.
To indicate color, insert color code into part # blank.



Pan Washer Head - Tri Screws

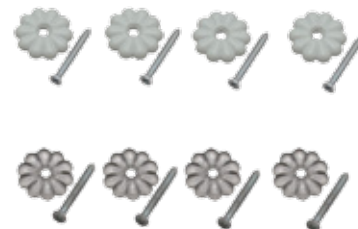
Part #	Ctn Qty	Mstr Ctn	Ctn Wgt	Finish
012-PTWB-8 x 3	2M			Zinc
012-PTW1000-8 x 3/4	1M	10M		Zinc
012-PTW1000-8 x 1	1M	10M		Zinc
012-PTW1000-8 x 1-1/4	1M	10M		Zinc
012-PTW1000-8 x 1-1/2	1M	10M		Zinc
012-PTW500-8 x 3/4	500	5M	22	Zinc
012-PTW500-8 x 1	500	5M	28	Zinc
012-PTW500-8 x 1-1/2	500	5M	37	Zinc
012-PTW500-8 x 2	500	5M	46	Zinc
012-PTW500-8 x 3	500	5M	64	Zinc
012-PTW100-8 x 3/4	100	1M	5	Zinc
012-PTW100-8 x 1	100	1M	6	Zinc/White
012-PTW100-8 x 1-1/2	100	1M	8	Zinc
012-PTW100-8 x 2	100	1M	10	Zinc
012-PTW100-8 x 3	100	1M	13	Zinc

Ordering Painted Screws (may fall under special order):
Stocking colors: (W) Polar White, (BL) Black, (BR) Brown,
(CO) Colonial White, (BZ) Bronze.
To indicate color, insert color code into part # blank.



Rosettes & Screws

Part #	Carton Qty	Master Ctn
012-RC50 (Rosette/Clear)	50	500
012-RW50 (Rosette/White)	50	500
012-RC500 (Rosette/Clear)	500	5M
012-RC200 (Rosette/Clear)	200	2M
012-RW500 (Rosette/White)	500	5M
012-RW200 (Rosette/White)	200	2M
012-RTC500 (Screw/Zinc)	500	5M
012-RTW500 (Screw/White)	500	5M
012-RTCR100 (Rosette & Screw-CL)	100	1M
012-RTWR100 (Rosette & Screw-WH)	100	1M
012-RTWR200 (Rosette & Screw-WH)	200	2M



Screws

Unslotted Hex Washer Head - Aluminum

Part #	Carton Quantity	Master Carton
012-ALU400 8 x 1-1/4	400	4M
012-ALU50 8 x 3/4	50	500
012-ALU50 8 x 1-1/4	50	500



Oval Head Phillips Screws - Bronze

Part #	Ctn Qty	Mstr Ctn	Ctn Wgt	Finish
012-PHBZB 6 x 5/8	4M			Bronze
012-PHBZ500 6 x 5/8	500			Bronze
012-PHBZ100 6 x 5/8	100			Bronze



Oval Head Phillips Screws

Rumble Buttons

Part #	Ctn Qty	Mstr Ctn	Ctn Wgt
012-RBB 10 x 1-1/8	2M		
012-RB500 10 x 1-1/8	500	5M	
012-RB250 10x 1-1/8	250	2.5M	
012-RB100 10 x 1-1/8	100	1M	
012-RB50 10x 1-1/8	50	500	

Specialty Screws

Part #	Ctn Qty	Mstr Ctn	Ctn Wgt	Finish
Phillips Screw - Flat Head				
012-FPH50AB 6 x 5/8	50			Ant. Brass

Deck Screws

012-GALV 8 x 2-1/2	1.5M
--------------------	------

Hex Head Lag Screws with Washers

012-LW25 3/8 x 4	25	250
012-LW25 3/8 x 5	25	250
012-LW25 3/8 x 6	25	250
012-LW25 3/8 x 7	25	250

Hex Head Lag Screws - Raw

012-LB 3/8 x 4	600
012-LB 3/8 x 5	300
012-LB 3/8 x 6	300
012-LB 3/8 x 7	200
012-LB 3/8 x 8	200
012-LB 3/8 x 9	200
012-LB 3/8 x 10	200

Flat Washers (3/8") - Zinc

012-Washers-Bulk	50#	
012-Washers	50	500

Flat Washers (2") - Zinc

012-Washers 2"	50	500
----------------	----	-----



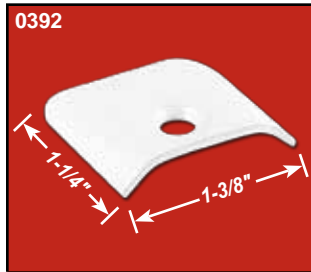
Flat Washers



Each extrusion individually sleeved. 5 pieces shipped in tube (End Cap is 10/ctn).

Aluminum Extrusions

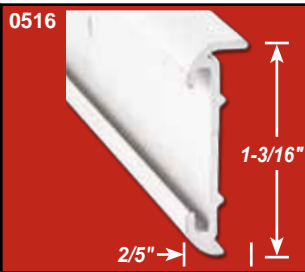
End Cap



021-39201
021-39202
021-39203
021-39204

Polar White
Black
Mill
Colonial White

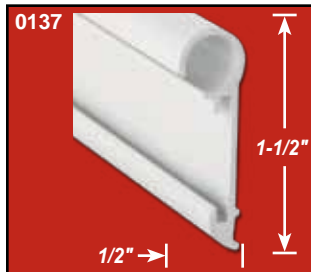
Short Lip Insert



021-51601-8
021-51601-16
021-51602-8
021-51602-16
021-51603-8
021-51603-16

Polar White- 8'
Polar White- 16'
Black- 8'
Black- 16'
Mill- 8'
Mill- 16'

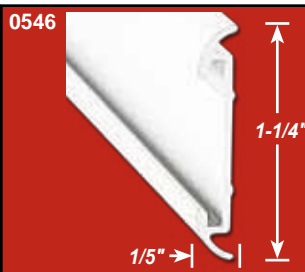
Inverted Insert Awning Rail



021-13701-8
021-13701-16
021-13702-8
021-13702-16

Polar White 8'
Polar White 16'
Black - 8'
Black - 16'

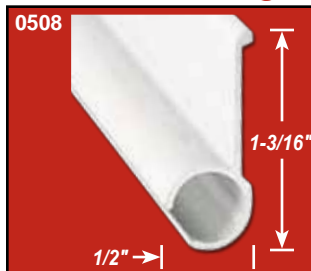
Flat Trim w/ Insert



021-54601-8
021-54601-16
021-54602-8
021-54602-16
021-54603-8
021-54603-16

White- 8'
Polar White- 16'
Black- 8'
Black- 16'
Mill- 8'
Mill- 16'

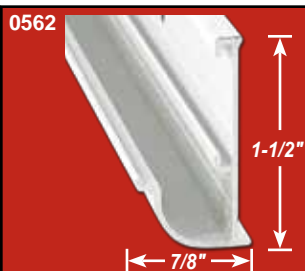
Standard Awning Rail



021-50801-8
021-50801-16
021-50802-8
021-50802-16
021-50803-8
021-50803-16
021-50804-8
021-50804-16

Polar White - 8'
Polar White - 16'
Black - 8'
Black - 16'
Mill - 8'
Mill - 16'
Colonial White - 8'
Colonial White - 16'

Insert Gutter Rail



021-56201-8
021-56201-16
021-56202-8
021-56202-16
021-56203-8
021-56203-16

Polar White- 8'
Polar White- 16'
Black- 8'
Black- 16'
Mill- 8'
Mill- 16'

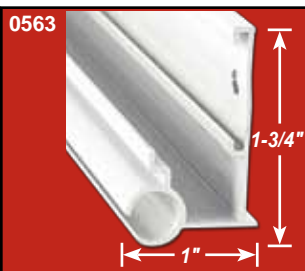
Insert Awning Rail



021-51001-8
021-51001-16
021-51002-8
021-51002-16
021-51003-8
021-51003-16
021-51004-8
021-51004-16

Polar White - 8'
Polar White - 16'
Black - 8'
Black - 16'
Mill - 8'
Mill - 16'
Colonial White - 8'
Colonial White - 16'

Insert Gutter/Awning Rail



021-56301-8
021-56301-16
021-56302-8
021-56302-16
021-56303-8
021-56303-16
021-56304-8
021-56304-16

Polar White - 8'
Polar White - 16'
Black- 8'
Black- 16'
Mill- 8'
Mill- 16'
Colonial White - 8'
Colonial White - 16'

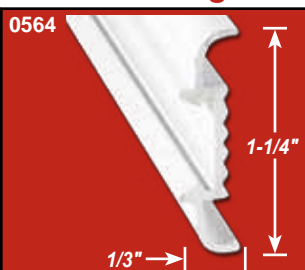
Non Insert Roof Rim



021-51101-8
021-51101-16
021-51102-6
021-51102-12
021-51103-8
021-51103-16

Polar White - 8'
Polar White - 16'
Black - 6'
Black - 12'
Mill - 8'
Mill - 16'

Insert Molding Trim



021-56401-8
021-56401-16
021-56402-8
021-56402-16
021-56403-8
021-56403-16

Polar White- 8'
Polar White - 16'
Black- 8'
Black- 16'
Mill- 8'
Mill- 16'

Aluminum Extrusions

Each extrusion individually sleeved. 5 pieces shipped in tube.

Insert Roof Edge

	0574	021-57401-8 021-57401-16 021-57402-8 021-57402-16 021-57403-8 021-57403-16 021-57404-8 021-57404-16	Polar White- 8' Polar White- 16' Black- 8' Black- 16' Mill- 8' Mill- 16' Colonial White- 8' Colonial White- 16'
--	------	--	--

Short Leg Non Insert Trim

	0860	021-86001-8 021-86001-16 021-86002-8 021-86002-16 021-86003-8 021-86003-16 021-86004-8 021-86004-16	Polar White- 8' Polar White- 16' Black- 8' Black- 16' Mill- 8' Mill- 16' Colonial White - 8' Colonial White - 16'
--	------	--	--

Seam Binder

	0598	021-59803-14	Mill- 14'
--	------	--------------	-----------

Long Leg Non Insert Trim

	0861	021-86101-8 021-86101-16 021-86102-8 021-86102-16 021-86103-8 021-86103-16	Polar White- 8' Polar White- 16' Black- 8' Black- 16' Mill- 8' Mill- 16'
--	------	---	---

Insert Corner Molding

	0850	021-85001-8 021-85001-16 021-85002-8 021-85002-16 021-85003-8 021-85003-16 021-85004-8 021-85004-16	Polar White- 8' Polar White- 16' Black- 8' Black- 16' Mill- 8' Mill- 16' Colonial White - 8' Colonial White - 16'
--	------	--	--

Non Insert Flat Trim

	0872	021-87201-8 021-87201-16 021-87202-8 021-87202-16 021-87203-8 021-87203-16	Polar White- 8' Polar White- 16' Black- 8' Black- 16' Mill- 8' Mill- 16'
--	------	---	---

Long Leg Insert Corner Molding

	0852	021-85201-8 021-85201-16 021-85202-8 021-85202-16 021-85203-8 021-85203-16	Polar White- 8' Polar White- 16' Black- 8' Black- 16' Mill- 8' Mill- 16'
--	------	---	---

Drip Rail

	501	021-50101-8 021-50101-16 021-50102-8 021-50102-16 021-50103-8 021-50103-16	Polar White - 8' Polar White - 16' Black - 8' Black - 16' Mill - 8' Mill - 16'
--	-----	---	---

Slideout Facia

	0835	021-83501-8 021-83501-16 021-83502-8 021-83502-16 021-83503-8 021-83503-16 021-83504-8 021-83504-16	Polar White- 8' Polar White- 16' Black- 8' Black- 16' Mill- 8' Mill- 16' Colonial White-8' Colonial White-16'
--	------	--	--