

ANCOR

2 0 1 9

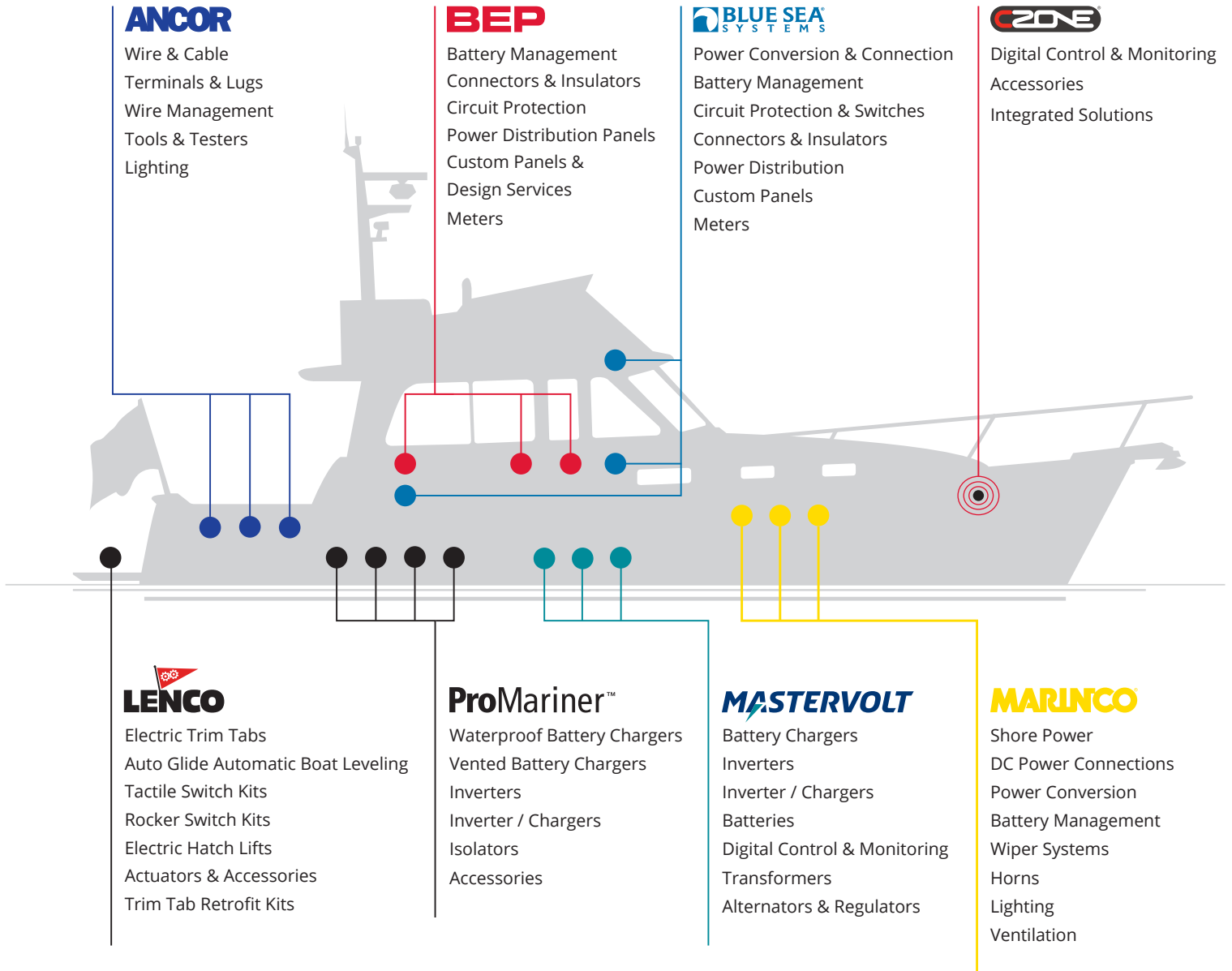
MARINE
EMERGENCY VEHICLE
INDUSTRIAL
RV

Wire & Cable
Terminals & Lugs
Wire Management
Tools & Testers
Lighting



For decades Ancor, BEP, Blue Sea Systems, CZone, Lenco, Marinco, Mastervolt and ProMariner have worked independently to provide innovative electrical products. Now the eight companies are working together to offer comprehensive electrical solutions for marine and mobile applications.

Providing more than products. Providing Solutions.





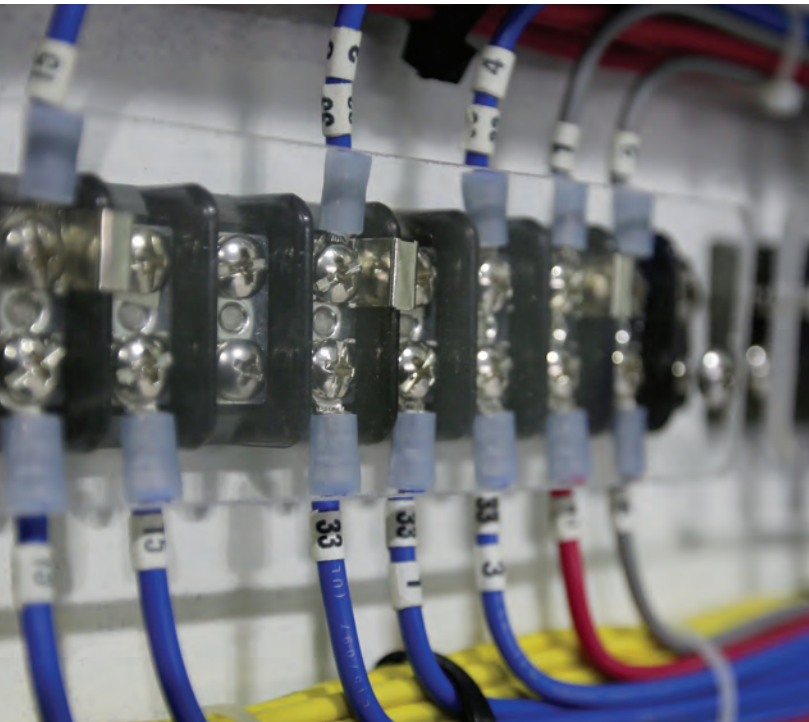
What makes Ancor different:

Founder's Vision

For 40 years Ancor has been the industry leader for quality tinned copper Marine Grade® wire and cable. Ancor's comprehensive



product line includes everything required to complete a wiring project. This includes Marine Grade® wire and cable, terminals and connectors, wire management products, and hand tools. Ancor designs products to the highest standards that meet UL, ABYC, NMMA and USCG standards. Product selection, quality, and service are the pillars of the brand, and only Ancor can be your single source for wire and accessories.



Selection

Over 1,600 electrical products are designed to work together as a system

Fast Delivery

Products stocked in multiple global locations ensures rapid order fulfillment

Worldwide Access to Product

A distribution network in over 45 countries provides access to products when they are needed



Industry Standards

Industry involvement ensures products meet ABYC, NMMA, and Coast Guard standards

Quality

Product quality is managed in a manner consistent with international standards

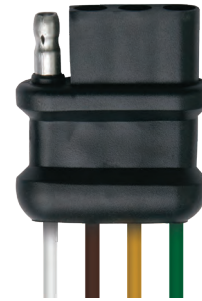


2018-2019 **NEW** Products



10 Tan Wire

Same great wire, now in a new color! With this addition, Ancor now offers all ABYC recommended solid colors of wire. ABYC recommends for water temp gauges.



18 Trailer Assemblies

Molded trailer connector made in accordance with SAE color coding. Individual ends and loops in an assortment of wire lengths for all applications.



41 4" & 6" Self-cutting Cable Ties

Ancor has expanded our full line of Self-cutting cable ties with the addition of 4" and 6" sizes. Simply lock and twist to finish the job, with no need for additional tools! This leaves a clean cut, which improves appearance and eliminates the sharp tail.



53 Mini Fish Tape

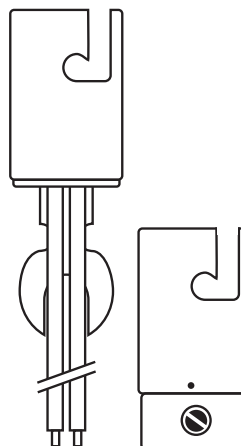
Part # 703112

15 ft low-memory tape makes this product ideal for non-conduit situations in a marine environment. Use for short electrical runs, installing speakers, instrument clusters or other marine uses.

63 Double Contact Bayonet Bulb Sockets

Part # 529310 8" wire leads
Part # 529311 #8-32 screws

Sockets for 12V miniature bayonet base lamps. Spring-loaded brass contacts. Available with screw contacts or 8" wire leads.



2018-2019 **NEW** Products



21 NMEA 2000 Power Isolator

Part # 270113

The power isolator connects between NMEA 2000 tees and backbone cables while isolating the power supply within the network.



26 Heat Shrink Step-Down/Multi-Wire Connectors Kit

Part # 320000

Reusable jar is clear for easy identification of the connectors and has a flip lid for ease of use.



47 Wire Management Kits

- Part # 250101 440 Piece Nylon Connectors and Terminals Kit
- Part # 255101 100 Piece Tinned Copper Lug Kit
- Part # 320101 160 Piece HS Connectors & Terminals Kit
- Part # 330101 47 Piece Adhesive Lined Heat Shrink Tubing Kit

New kits to provide everything needed for a wiring project.



72 Refreshed Merchandising Displays

Updated product assortments and lower price point options.

EXPANDED OFFERING

Products

25 500 pack 8 AWG Butt Connectors

Part # 309302

Larger pack size for large usage.



36 Adhesive Lined Heat Shrink Tubing (ALT)

Ancor now offers an expanded consistent line.

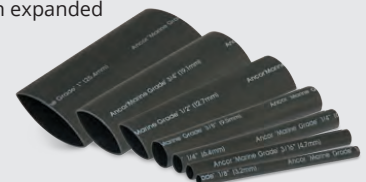
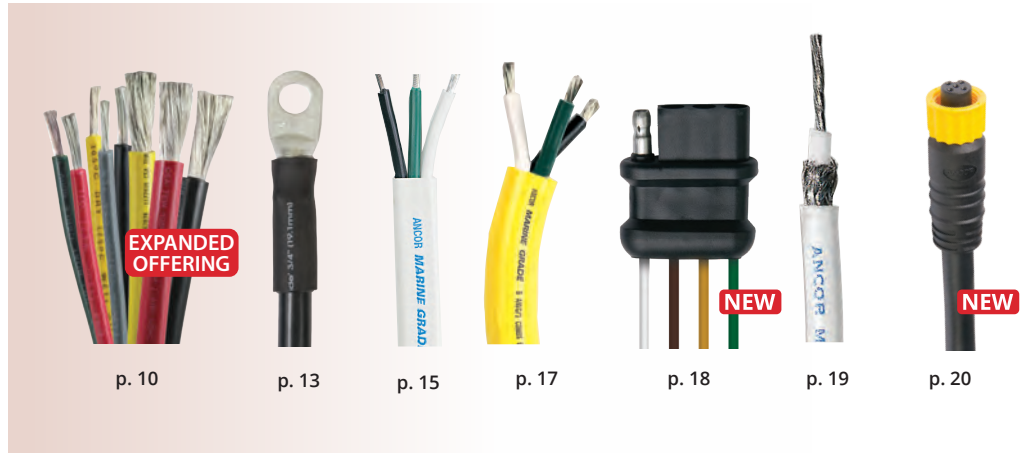


Table of Contents

WIRE & CABLE

Primary Wire	10
Battery Cable & Assemblies	12
Duplex Cable	14
Triplex Cable	15
Specialty Cable	16
Trailer Cable & Assemblies	17
Coax Cable & Assemblies	19
NMEA 2000 Cables & Connectors	20



TERMINALS & LUGS

Adhesive Lined Heat Shrink Terminals	24
Nylon Insulated Terminals	27
Vinyl Insulated Terminals	29
Coax Cable Fittings	30
Tinned Copper Lugs	31
Battery Terminals & Boots	32



WIRE MANAGEMENT

Adhesive Lined Heat Shrink Tubing	36
Adhesive Lined Heavy Wall Heat Shrink Tubing	37
Repair Tape	38
Electrical Tape	38
Cable Ties	39
Wire Seals	43
Cable Clamps	44
Cable Wraptor	45
Split Loom & Spiral Wrap	45
Grommets	46
Wire Management Kits	46



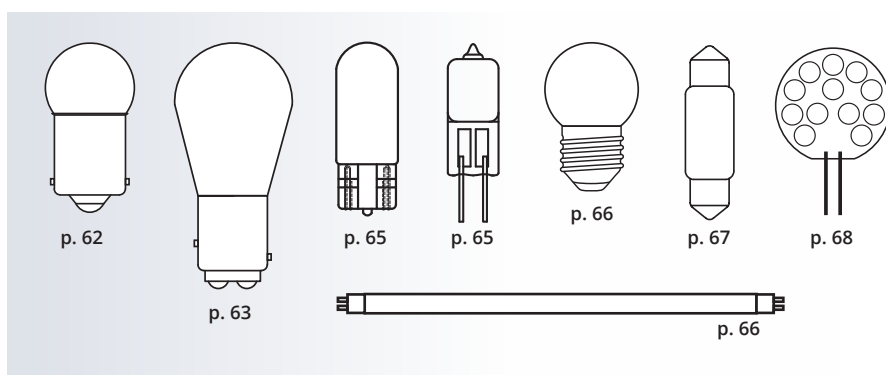
TOOLS & TESTERS

Cut/Strip/Crimp Tools	50
Heat Tools	52
Tool Kits	53
Continuity Tester	54
Wire Tracer	55
Snap-Around Meters	56
Multimeters	57
Infrared Thermometers	59



LIGHTING

Bulbs	62
LED Bulb Cross Reference	69



DISPLAYS

Display Racks	72
Gondola Displays	77



APPENDIX & INDEX

Technical Data	80
Part Number Index	85

WIRE & CABLE

Primary Wire

10



EXPANDED OFFERING

Manufactured from tinned copper stranding for maximum protection against corrosion and electrolysis. Ultra flexible (Type 3) stranding resists fatigue due to vibration and flexing.

Battery Cable & Assemblies

12



Premium, fine stranded UL1426 tinned copper battery cable for maximum conductivity and flexibility. All assemblies come with tinned copper lugs to avoid corrosion and extend life.

Multiconductor Cables

14



Duplex and Triplex wire in a variety of gauge and spool sizes; including UL 1426 tinned Duplex Boat Cable in flat and round configurations.

Specialty Cable

16



Ancor offers a broad range of cable for specialty applications to meet all of your Marine and Mobile wiring needs.



WIRE & CABLE

Trailer Cable & Assemblies

17



Made from our standard Ancor primary wire made specifically for trailer wiring. Assemblies with molded connectors for a wide range of applications.

Coax Cable & Assemblies

19



Premium Tinned Copper features signal loss ratios of up to 50% less than other coaxial cables. All assemblies come with Ancor Adhesive Lined Heat Shrink to seal out moisture, provide strain relief and fight corrosion.

NMEA 2000 Cables & Connectors

20



Ancor now carries NMEA 2000 cables and connectors for creating or expanding an NMEA 2000 network quickly and easily. Couplers are color coded to make identifying the power cable or connector easy. Premium Quality. Universal Fit.

Wire and cable are the backbone of every electrical system and properly selected wire will ensure a safe and reliable system.

Ancor Marine Grade® Wire & Cable

EXPANDED
OFFERING

- Ancor Marine Grade® wire and cable is manufactured from tinned copper stranding for maximum protection against corrosion and electrolysis. Ultra flexible (Type 3) stranding resists fatigue due to vibration and flexing.
- Ancor's proprietary premium vinyl insulation stays flexible even in extreme cold (-40°F / -40°C) and resists salt water, battery acid, oil, gasoline and ultra-violet radiation. Exclusive insulation is rated at 600 volts, 221°F / 105°C dry and 167°F / 75°C wet, and is resistant to heat and abrasion.
- Exceeds all UL 1426, US Coast Guard Charter boat (CFR Title 46) and ABYC standards.
- See pages 80-84 for ABYC wiring guidelines and technical data.

Primary Wire 18-14 AWG

18 AWG (0.8 mm²)

Color	Ft	Part #
Black	35	180003
	100	100010
	250	100025
	500	100050
	1000	100099
Red	35	180803
	100	100810
	250	100825
	500	100850
	1000	100899
Yellow	35	181003
	100	101010
	250	101025
	500	101050
	1000	101099
Green	35	180303
	100	100310
	250	100325
	500	100350
	1000	100399
White	35	180903
	100	100910
	250	100925
	500	100950
	1000	100999
Dk Blue	35	180103
	100	100110
	250	100125
	500	100150
	1000	100199
Brown	35	180203
	100	100210
	250	100225
	500	100250A
	1000	100299
Orange	35	180503
	100	100510
	250	100525
	500	100550
	1000	100599
Pink	35	180603
	100	100610
	250	100625
	500	100650
	1000	100699

18 AWG (0.8 mm²)

Color	Ft	Part #
Purple	35	180703
	100	100710
	250	100725
	500	100750
	1000	100799
Grey	35	180403
	100	100410
	250	100425
	500	100450
	1000	100499

16 AWG (1 mm²)

Color	Ft	Part #
Black	25	182003
	100	102010
	250	102025
	500	102050
	1000	102099
Red	25	182803
	100	102810
	250	102825
	500	102850
	1000	102899
Yellow	25	183003
	100	103010
	250	103025
	500	103050
	1000	103099
Green	25	182303
	100	102310
	250	102325AA
	500	102350
	1000	102399
White	25	182903
	100	102910
	250	102925
	500	102950
	1000	102999
Dk Blue	25	182103
	100	102110
	250	102125
	500	102150
	1000	102199

16 AWG (1 mm²)

Color	Ft	Part #
Brown	25	182203
	100	102210
	250	102225
	500	102250
	1000	102299
Orange	25	182503
	100	102510
	250	102525
	500	102550
	1000	102599
Pink	25	182603
	100	102610
	250	102625
	500	102650
	1000	102699
Purple	25	182703
	100	102710
	250	102725
	500	102750
	1000	102799
Grey	25	182403
	100	102410
	250	102425
	500	102450
	1000	102499
Tan	100	101810
Tan NEW	250	101825
	500	101850
Lt Blue	100	101910
	250	101925
	500	101950

14 AWG (2 mm²)

Color	Ft	Part #
Black	18	184003
	100	104010
	250	104025
	500	104050
	1000	104099
Red	18	184803
	100	104810
	250	104825
	500	104850
	1000	104899

14 AWG (2 mm²)

Color	Ft	Part #
Yellow	18	185003
	100	105010
	250	105025
	500	105050
	1000	105099
Green	18	184303
	100	104310
	250	104325
	500	104350
	1000	104399
White	18	184903
	100	104910
	250	104925
	500	104950
	1000	104999
Dk Blue	18	184103
	100	104110
	250	104125
	500	104150
	1000	104199
Brown	18	184203
	100	104210
	250	104225
	500	104250
	1000	104299
Orange	18	184503
	100	104510
	250	104525
	500	104550
	1000	104599
Pink	18	184603
	100	104610
	250	104625
	500	104650
	1000	104699
Purple	18	184703
	100	104710
	250	104725
	500	104750
	1000	104799
Grey	18	184403
	100	104410
	250	104425
	500	104450
	1000	104499
Tan	100	103810
Tan NEW	250	103825
	500	103850
Lt Blue	100	103910
	250	103925
	500	103950



Primary Wire 12-6 AWG

12 AWG (3 mm²)

Color	Ft	Part #
Black	12	186003
	25	106002
	100	106010
	250	106025
	400	106040
Red	1000	106099
	12	186803
	25	106802
	100	106810
	250	106825
Yellow	400	106840
	1000	106899
	12	187003
	25	107002
	100	107010
Green	250	107025
	400	107040
	1000	107099
	12	186303
	25	106302
White	100	106310
	250	106325
	400	106340
	1000	106399
	12	186903
Dk Blue	25	106902
	100	106910
	250	106925
	400	106940
	1000	106999
Brown	25	106102
	100	106110
	250	106125
	400	106140
	1000	106199
Orange	25	106202
	100	106210
	250	106225
	400	106240
	1000	106299
Pink	25	106502
	100	106510
	250	106525
	400	106540
	1000	106599
Purple	25	106602
	100	106610
	250	106625
	400	106640
	1000	106702
Grey	100	106710
	250	106725
	400	106740
	1000	106499
	100	105810
Tan NEW	250	105825
	400	105840

10 AWG (5 mm²)

Color	Ft	Part #
Black	8	188003
	25	108002
	100	108010
	250	108025
	500	108050
Red	1000	108099
	8	188803
	25	108802
	100	108810
	250	108825
Yellow	500	108850
	1000	108899
	25	109002
	100	109010
	250	109025
Green	500	109050
	1000	109099
	25	108302
	100	108310
	250	108325
White	500	108350
	1000	108399
	25	108902
	100	108910
	250	108925
Dk Blue	500	108950
	1000	108999
	25	108102
	100	108110
	250	108125
Brown	500	108150
	1000	108199
	25	108202
	100	108210
	250	108225
Orange	500	108250
	1000	108299
	25	108502
	100	108510
	250	108525
Grey	500	108550
	1000	108599
	1000	108499
	25	109302
	100	109310
Green w/ Yellow Stripe	250	109325
	500	109350
	1000	109399

8 AWG (8 mm²)

Color	Ft	Part #
Black	25	111002
	50	111005
	100	111010
	250	111025
	500	111050
Red	1000	111099
	25	111502
	50	111505
	100	111510
	250	111525
Yellow	500	111550
	1000	111599
	25	111902
	50	111905
	100	111910
Green	250	111925
	500	111950
	1000	111999
	25	111302
	50	111305
White	100	111310
	250	111325
	500	111350
	1000	111399
	25	111702
Dk Blue	50	111705
	100	111710
	250	111725
	500	111750
	1000	111799

6 AWG (13 mm²)

Color	Ft	Part #
Black	25	112002
	50	112005
	100	112010
	250	112025
	500	112050
Red	750	112075
	25	112502
	50	112505
	100	112510
	250	112525
Yellow	500	112550
	750	112575
	25	112902
	50	112905
	100	112910
Green	250	112925
	500	112950
	750	112975
	25	112302
	50	112305
White	100	112310
	250	112325
	500	112350
	750	112375
	25	112702
Dk Blue	50	112705
	100	112710
	250	112725
	500	112750
	750	112775

TECH tip™

Wire Flexibility Explained

Wire flexibility is influenced by two major factors: wire strand size and jacket hardness.

Wire strand size has the largest impact on overall wire flexibility. As individual wire strand size decreases, wire flexibility increases. For boat cable, UL 1426 requires at least 19 individual strands for cables 16 AWG and larger. Ancor wire uses type 3 stranding which consists of individual 30 AWG (0.010") strands, regardless of the wire gauge. Ancor's 16 AWG wire consists of 26 individual strands, while the 4/0 AWG wire consists of 2,109 individual strands.

Jacket hardness is most commonly measured by durometer, with lower measurements reflecting a more flexible material. Ancor wire measures 7 points lower than competitive product (on a scale of 1-100), resulting in a more flexible product.



Battery Cable 4-4/0 AWG

4 AWG (21 mm²)

Color	Ft	Part #
Black	25	113002
	50	113005
	100	113010
	250	113025
	500	113050
Red	25	113502
	50	113505
	100	113510
	250	113525
	500	113550
Yellow	25	113902
	50	113905
	100	113910
	250	113925
	500	113950

2 AWG (34 mm²)

Color	Ft	Part #
Black	25	114002
	50	114005
	100	114010
	250	114025
	400	114040
Red	25	114502
	50	114505
	100	114510
	250	114525
	400	114540
Yellow	25	114902
	50	114905
	100	114910
	250	114925
	400	114940

1 AWG (42 mm²)

Color	Ft	Part #
Black	25	115002
	50	115005
	100	115010
	300	115030
Red	25	115502
	50	115505
	100	115510
Yellow	25	115902
	50	115905
	100	115910

1/0 AWG (53 mm²)

Color	Ft	Part #
Black	25	116002
	50	116005
	100	116010
	250	116025
Red	25	116502
	50	116505
	100	116510
	250	116525
Yellow	25	116902
	50	116905
	100	116910

2/0 AWG (68 mm²)

Color	Ft	Part #
Black	25	117002
	50	117005
	100	117010
	200	117020
Red	25	117502
	50	117505
	100	117510
	200	117520
Yellow	25	117902
	50	117905
	100	117910

3/0 AWG (85 mm²)

Color	Ft	Part #
Black	25	118002
	50	118005
	100	118010
	150	118015
Red	25	118502
	50	118505
	100	118510
	150	118515
Yellow	25	118902
	50	118905
	100	118910

4/0 AWG (107 mm²)

Color	Ft	Part #
Black	25	119002
	50	119005
	100	119010
	250	119025
Red	25	119502
	50	119505
	100	119510
	250	119525
Yellow	25	119902
	50	119905
	100	119910

Related Products



Battery
Terminals
page 32



Lugs
page 31



Heat Shrink
Tubing
page 36



Premium
Electrical Tape
page 38



Cutting &
Crimping Tools
pages 50-51

18-4/0 AWG Wire and Cable Specifications

Wire Size	Nominal O.D.	Wire Diameter	Stranding No. of 30 AWG	Cir. Mil Area	Ohms per 1000'	mm ²	Wt. per 1000'			
18 AWG	.08 mm ²	7/64"	2.8 mm	1.0 mm	16	1600	6.48	.08	12 lbs	5.4 kg
16 AWG	1 mm ²	1/8"	3.2 mm	1.5 mm	26	2600	4.00	1.31	16 lbs	7.3 kg
14 AWG	2 mm ²	9/64"	3.6 mm	2.0 mm	41	4100	2.53	2.08	23 lbs	10.4 kg
12 AWG	3 mm ²	5/32"	4.0 mm	2.6 mm	65	6500	1.75	3.31	31 lbs	14 kg
10 AWG	5 mm ²	7/32"	5.6 mm	3.3 mm	105	10,500	1.00	5.26	44 lbs	20 kg
8 AWG	8 mm ²	5/16"	7.9 mm	4.3 mm	168	16,800	0.62	8.37	86 lbs	39 kg
6 AWG	13 mm ²	11/32"	8.7 mm	5.5 mm	266	26,600	0.40	13.30	118 lbs	53.5 kg
4 AWG	21 mm ²	13/32"	10.3 mm	7.0 mm	420	42,000	0.24	21.15	178 lbs	81 kg
2 AWG	34 mm ²	15/32"	11.9 mm	8.0 mm	665	66,500	0.16	33.62	277 lbs	126 kg
1 AWG	42 mm ²	17/32"	13.5 mm	9.0 mm	836	83,690	0.13	42.38	350 lbs	159 kg
1/0 AWG	53 mm ²	9/16"	14.3 mm	10.5 mm	1064	105,600	0.10	53.49	437 lbs	198 kg
2/0 AWG	68 mm ²	5/8"	15.9 mm	12.0 mm	1330	133,000	0.08	67.43	549 lbs	249 kg
3/0 AWG	85 mm ²	11/16"	17.5 mm	13.0 mm	1665	167,800	0.06	85.01	675 lbs	306 kg
4/0 AWG	107 mm ²	13/16"	20.6 mm	14.0 mm	2109	211,600	0.05	107.20	837 lbs	380 kg



Premium Battery Cable Assemblies

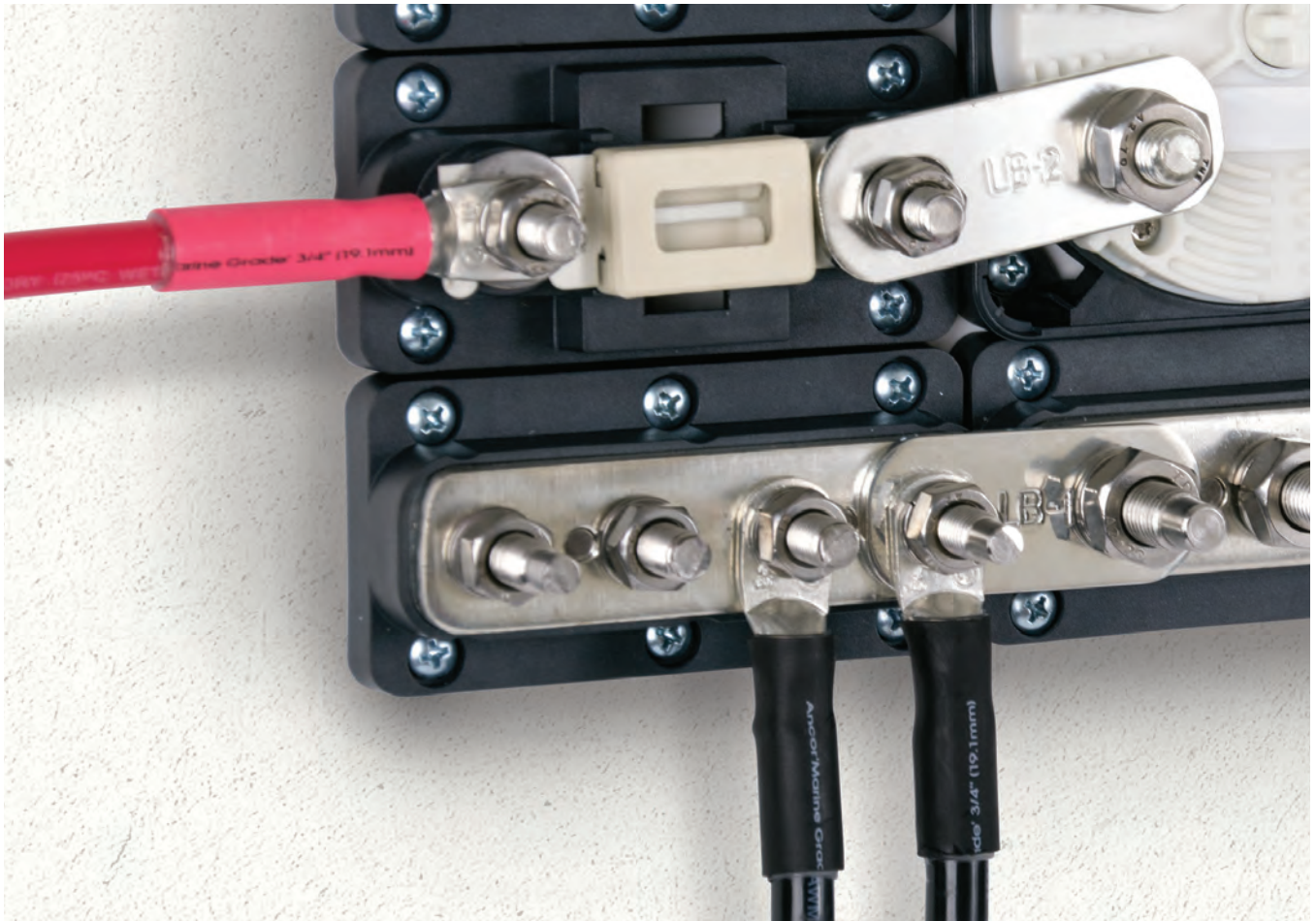
UL1426 Tinned Boat Cable

- Premium, fine stranded UL1426 tinned copper battery cable for maximum conductivity and flexibility
- Flame retardant, UV inhibited cable rated at 600V and 221°F / 105°C
- Tinned copper lugs to avoid corrosion and extend life
- 3:1 heat shrink tubing over the electrical connection to seal out moisture and provide strain relief

Color	Length	Stud Size	Part #
4 AWG (21 mm²)			
Black	18"	45.7 cm	5/16" 7.93 mm 189130
	32"	81.2 cm	5/16" 7.93 mm 189134
	48"	121.9 cm	5/16" 7.93 mm 189136
Red	18"	45.7 cm	3/8" 9.5 mm 189131
	32"	81.2 cm	3/8" 9.5 mm 189135
	48"	121.9 cm	3/8" 9.5 mm 189137

Color	Length	Stud Size	Part #
2 AWG (34 mm²)			
Black	18"	45.7 cm	5/16" 7.93 mm 189140
	32"	81.2 cm	5/16" 7.93 mm 189144
	48"	121.9 cm	5/16" 7.93 mm 189146
Red	18"	45.7 cm	3/8" 9.5 mm 189141
	32"	81.2 cm	3/8" 9.5 mm 189145
	48"	121.9 cm	3/8" 9.5 mm 189147

For continuous current draws up to:	Use battery cable assemblies
136 amps	4 AWG
178 amps	2 AWG



Safety Duplex Cable

UL 1426 Tinned Boat Cable

Conductor colors: red and yellow

Flat Cable



Spool Length	Part #	Nominal O.D.	Wt. per 1000'
18/2 AWG (2x0.8 mm²)			
100'	124910		
250'	124925	3/16"x9/32"	49 lbs
500'	124950	5x7 mm	22.2 kg
1000'	124999		
16/2 AWG (2x1 mm²)			
100'	124710		
250'	124725	3/16"x5/16"	51 lbs
500'	124750	5x8 mm	23.1 kg
1000'	124799		
14/2 AWG (2x2 mm²)			
25'	124502		
100'	124510		
250'	124525	7/32"x11/32"	65 lbs
500'	124550	6x9 mm	29.5 kg
1000'	124599		

Spool Length	Part #	Nominal O.D.	Wt. per 1000'
12/2 AWG (2x3 mm²)			
100'	124310		
250'	124325	7/32"x3/8"	82 lbs
500'	124350	6x10 mm	37.3 kg
10/2 AWG (2x5 mm²)			
25'	124102		
100'	124110		
250'	124125	1/4"x15/32"	128 lbs
400'	124140	6x12 mm	58.2 kg
800'	124180		
8/2 AWG (2x8 mm²)			
50'	123905		
100'	123910	11/32"x5/8"	230 lbs
500'	123950	9x16 mm	104.5 kg
6/2 AWG (2x13 mm²)			
50'	123705	13/32"x3/4"	364 lbs
100'	123710	10x19 mm	165.5 kg

Round Cable



Spool Length	Part #	Nominal O.D.	Wt. per 1000'
16/2 AWG (2x1 mm²)			
100'	126710		
250'	126725	5/16"	49 lbs
500'	126750	8 mm	22.2 kg
14/2 AWG (2x2 mm²)			
100'	126510		
250'	126525	11/32"	63 lbs
500'	126550	9 mm	28.6 kg

Spool Length	Part #	Nominal O.D.	Wt. per 1000'
12/2 AWG (2x3 mm²)			
100'	126310		
250'	126325	13/32"	80 lbs
500'	126350	10 mm	36.3 kg

Duplex Cable

Conductor colors: black and red

Flat Cable



Spool Length	Part #	Nominal O.D.	Wt. per 1000'
18/2 AWG (2x0.8 mm²)			
100'	121910		
250'	121925	3/16"x9/32"	49 lbs
500'	121950	5x7 mm	22.2 kg
16/2 AWG (2x1 mm²)			
100'	121710		
250'	121725	3/16"x5/16"	51 lbs
500'	121750	5x8 mm	23.1 kg
1000'	121799		
14/2 AWG (2x2 mm²)			
100'	121510		
250'	121525	7/32"x11/32"	65 lbs
500'	121550	6x9 mm	29.5 kg
1000'	121599		

Spool Length	Part #	Nominal O.D.	Wt. per 1000'
12/2 AWG (2x3 mm²)			
100'	121310		
250'	121325	7/32"x3/8"	82 lbs
500'	121350	6x10 mm	37.3 kg
10/2 AWG (2x5 mm²)			
100'	121110		
250'	121125	1/4"x15/32"	128 lbs
400'	121140	6x12 mm	58.2 kg
800'	121180		
8/2 AWG (2x8 mm²)			
50'	120905		
100'	120910	11/32"x5/8"	230 lbs
250'	120925	9x16 mm	104.5 kg
6/2 AWG (2x13 mm²)			
50'	120705	13/32"x3/4"	364 lbs
100'	120710	10x19 mm	165.5 kg

Triplex Cable

Conductor colors: black, green and white

Flat Cable



Spool Length	Part #	Nominal O.D.	Wt. per 1000'
16/3 AWG (3x1 mm ²)			
100'	131710		
250'	131725	3/16"x15/32"	75 lbs
500'	131750	5x12 mm	34 kg
1000'	131799		
14/3 AWG (3x2 mm ²)			
100'	131510		
250'	131525	7/32"x1/2"	96 lbs
500'	131550	6x13 mm	43.6 kg
900'	131590		
12/3 AWG (3x3 mm ²)			
25'	131302		
100'	131310	7/32"x17/32"	125 lbs
250'	131325	6x14 mm	56.8 kg
700'	131370		

Spool Length	Part #	Nominal O.D.	Wt. per 1000'
10/3 AWG (3x5 mm ²)			
100'	131110		
300'	131130	1/4"x21/32"	186 lbs
500'	131150	6x17 mm	84.5 kg
8/3 AWG (3x8 mm ²)			
25'	130902		
50'	130905	3/8"x1"	287 lbs
100'	130910	10x25 mm	130.4 kg
6/3 AWG (3x13 mm ²)			
50'	130705	7/16"x1-3/16"	470 lbs
100'	130710	11x30 mm	213.6 kg

Round Cable



Spool Length	Part #	Nominal O.D.	Wt. per 1000'
16/3 AWG (3x1 mm ²)			
100'	133710	11/32"	75 lbs
250'	133725	9 mm	34 kg
14/3 AWG (3x2 mm ²)			
100'	133510		
250'	133525	13/32"	96 lbs
900'	133590	10 mm	43.6 kg

Spool Length	Part #	Nominal O.D.	Wt. per 1000'
12/3 AWG (3x3 mm ²)			
100'	133310	7/16"	125 lbs
250'	133325	11 mm	56.8 kg

Related Products



Cutting & Stripping Tools pages 50-51



Wire Seals page 43

TECH tip™

Round versus Flat Duplex/Triplex

Duplex and Triplex cable have many different advantages to help installers. The grouped wires save time and effort by having to run only one group instead of multiple individual wires and also provides extra protection for the wire itself. But they have different advantages based on the shape too. Round cable for instance is easier to install through bulk heads, walls, panels or holes, while flat cable is easier to route long distances since it can be moved through a smaller space.



Specialty Cable



Flat Ribbon Bonded Cable

Premium Tinned Bonded Copper

Conductor colors: red and black

Spool Length	Part #	Nominal O.D.	Wt. per 1000'
16/2 AWG (2x1 mm ²)			
100'	153110	1/8"x1/4"	32 lbs
250'	153125	3.2x6.4 mm	14.5 kg
500'	153150		

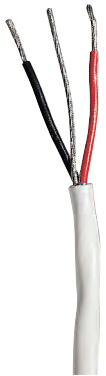


Signal Cable

Tinned Boat Cable

Conductor colors: red and black

Spool Length	Part #	Nominal O.D.	Wt. per 1000'
20/2 AWG (2x0.5 mm ²)			
25'	189303		
100'	122010	5/32"x1/4"	18 lbs
250'	122025	4x6.4 mm	8.1 kg
500'	122050		



Round Instrument Cable

100% Mylar Foil Shield & Drain Wire

UL 1426 Tinned Boat Cable

Color conductors: red, black and bare

Spool Length	Part #	Nominal O.D.	Wt. per 1000'
20/3 AWG (3x0.5 mm ²)			
100'	153010	7/32"	30 lbs
500'	153050	5.6 mm	13.6 kg



Twisted Pairs w/ Shield

Premium Tinned Copper

Color conductors: red and black

- For all metal boats and around sensitive electronics
- 93% Tinned copper shield for maximum EMI and RFI rejection
- 2-3" lay for interference cancellation

Spool Length	Part #	Nominal O.D.	Wt. per 1000'
14/2 AWG (2x2 mm ²)			
100'	141410	.330"	73.2 lbs
250'	141425	8.4 mm	33.3 kg



Bilge Pump Cable

Premium Tinned Copper

Color conductors: black, brown and red

Insulation: grey

- Conductors specifically for bilge pumps
- Oil resistant
- SJTOW-A water resistant jacket

Spool Length	Part #	Nominal O.D.	Wt. per 1000'
16/3 AWG (3x1 mm ²)			
100'	156610	.348"	78 lbs
250'	156625	8.85 mm	35.5 kg
14/3 AWG (3x2 mm ²)			
100'	156410	.377"	99 lbs
250'	156425	9.6 mm	45.0 kg
500'	156450		



European Color Code AC Cable

Premium Tinned Copper, Class K Stranding

Conductor colors: blue, brown and green with yellow stripe

Spool Length	Part #	Nominal O.D.	Wt. per 1000'
10/3 AWG (3x5 mm ²)			
500'	131151	1/4"x21/32" 6x17 mm	186 lbs 84.5 kg



Round Mast

UL 1426 Tinned Boat Cable

Color conductors: black, blue, green, brown and red

Spool Length	Part #	Nominal O.D.	Wt. per 1000'
14/5 AWG (5x2 mm ²)			
100'	155010	1/2"	160 lbs
500'	155050	12.7 mm	79.5 kg



Round Signal

100% Mylar Foil Shield and Drain Tinned Boat Cable

Premium Tinned Copper

Conductor colors: black, red, green, blue, brown, orange, purple and yellow

Spool Length	Part #	Nominal O.D.	Wt. per 1000'
20/8 AWG (8x0.5 mm ²)			
100'	158010		
250'	158025	5/16"	63 lbs
1000'	158099	7.9 mm	28.6 kg



Shore Power Cord

Conductor colors: black, white, green (and red 100319 only)

- High visibility yellow jacket is weather and sunlight resistant
- Ultra flexible insulation is abrasion resistant for "hard service" applications
- 600 volt rated for extra heavy-duty service
- 16/3 is 300 volt cable
- Temp rating: 140°F / 60°C

Spool Length	Part #	Nominal O.D.	Wt. per 1000'
16/3 Phone			
100'	153510	5/16"	75 lbs
300'	153530	6 mm	34 kg
10/3 STOW			
100'	153710	21/32"	284 lbs
250'	153725	17 mm	129 kg
10/3 STW			
250'	SPC103	21/32" 17 mm	284 lbs 129 kg
6/3 STOW			
100'	153910	31/32"	540 lbs
250'	153925	24.4 mm	254.4 kg
6/3 STW			
per/ft**	100320	31/32" 24.4 mm	540 lbs 254.4 kg
6/4 STW			
per/ft**	100319	1-5/64" 27.4 mm	695 lbs 316 kg

*SPC103, 100320 and 100319 are not tinned wire
**50 ft minimum



GTO 15 High Voltage Cable (15000V)

Color conductors: white
• Coupler output to antenna

Spool Length	Part #	Nominal O.D.	Wt. per 1000'
14 AWG (2 mm²)			
25'	150102	1/4"	38 lbs
100'	150110	6.4 mm	17.2 kg



Super Flex Audio Cable Premium Tinned Copper

- Super flexible, easy to run
- Clear jacket to blend into the environment
- Drawn copper, unidirectional lay for ultimate in sound quality
- Tinned copper for corrosion resistance in the marine environment

Spool Length	Part #	Nominal O.D.	Wt. per 1000'
18/2 AWG (2x0.8 mm²)			
100'	142810	.265" 6.7 mm	29 lbs 13 kg
16/2 AWG (2x1 mm²)			
100'	142610		
250'	142625	.319"	51 lbs
500'	142650	8.1 mm	23.1 kg
14/2 AWG (2x2 mm²)			
100'	142410		
250'	142425	.345"	65 lbs
1000'	142499	8.8 mm	29.5 kg

Trailer Cable



Flat Ribbon Bonded Trailer Cable Premium Tinned Bonded Copper

Conductor colors: brown, green, white and yellow

Spool Length	Part #	Nominal O.D.	Wt. per 1000'
16/4 AWG (4x1 mm²)			
100'	154510	1/8"x1/2"	29.2 lbs
250'	154525	3.2x12.7 mm	13.2 kg



Flat Trailer Cable Tinned Boat Cable

Conductor colors: yellow, white, green and brown

Spool Length	Part #	Nominal O.D.	Wt. per 1000'
16/4 AWG (4x1 mm²)			
100'	154010	3/16"x9/16"	105 lbs
300'	154030	4x14 mm	47.7 kg

Trailer Assemblies **NEW**

- Molded trailer connectors are made with 16 gauge wire
- Color coding in accordance with SAE recommended practices
- Male Connector = Trailer Side / Female Connector = Vehicle Side
- 4-contact connectors are molded with an EasyGrip® for fast and easy disconnect
- Loops can be cut to the desired length for splicing into an existing wire assembly

Trailer Wire Ends

2-wire



male end

length	part #
8"	249111



female end

part #	length
249112	8"

Looped Trailer Wire

2-wire



male end

female end

length	part #
12"	249102
48"	249106

3-wire



male end

length	part #
8"	249113



female end

part #	length
249114	8"

3-wire

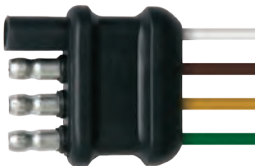


male end

female end

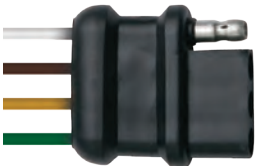
length	part #
12"	249103
48"	249107

4-wire



male end

length	part #
8"	249115
48"	249117



female end

part #	length
249116	8"
249118	48"

4-wire

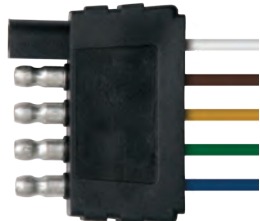


male end

female end

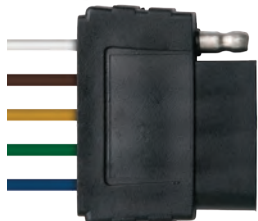
length	part #
12"	249101
48"	249105
72"	249109

5-wire



male end

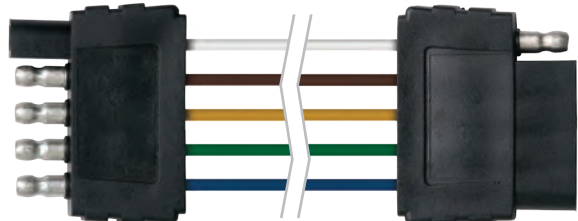
length	part #
8"	249119
48"	249121



female end

part #	length
249120	8"
249122	48"

5-wire



male end

female end

length	part #
12"	249104
48"	249108
72"	249110

Coaxial Cable

Premium Tinned Copper

- Features signal loss ratios of up to 50% less than other coaxial cables
- Tinned copper center conductor as well as tinned copper outer braid for corrosion resistance and easy soldering
- 96% braid for best signal strength and least interference with UV inhibited white jacket for longest life



Spool Length	Part #	Nominal O.D.	Wt. per 1000'
RG 58CU			
100'	150510	3/16"	26 lbs
250'	150525	4.8 mm	11.8 kg
RG 59U			
250'	151025	1/4"	36 lbs
500'	151050	6.4 mm	16.3 kg
RG 8X			
100'	151510		
250'	151525	1/4"	40 lbs
500'	151550	6.4 mm	18.1 kg
1000'	151560		
RG 213			
100'	151710		
250'	151725	13/32"	110 lbs
500'	151750	10.3 mm	50 kg

Related Products



Coaxial Cable Fittings
page 30

Coaxial Cable Assemblies

Premium Tinned Copper

- All assemblies come with Ankor adhesive lined heat shrink to seal out moisture, provide strain relief and fight corrosion
- 96% Tinned copper braid for optimum protection against signal loss
- 100% Tinned copper center conductor and braid
- No solder or special tools required
- Special low loss SAT NAV extensions



Wire Type	RG58C/U	RG59U	RG8X	RG213
Insulation Material	PVC*	PVC	PVC	PVC*
Nominal O.D.	3/16" 4.8 mm	1/4" 6.4 mm	1/4" 6.4 mm	13/32" 10.3 mm
AWG	20	23	16	13
Conductor Stranding	19/33	Solid**	19/29	7/21
Braid Coverage	96%	96%	96%	96%
Wt. per 1000'	26 lbs 11.8 kg	36 lbs 16.3 kg	40 lbs 18.1 kg	110 lbs 50 kg
Impedance (Ohms)	50	75	50	50
Capacitance/Ft.	30.8 pF	20.5 pF	26.0 pF	30.8pF
Attenuation/100'				
@50MHz	3.3db	2.4db	2.5db	1.3db
@100MHz	4.9db	3.4db	3.7db	1.9db
@1000MHz	21.5db	12.0db	13.5db	8.0db
Velocity of Propagation	66%	66%	78%	66%

* non-contaminating insulation ** copperweld

Ends Description	Wire Length	Part #
RG58CU Two ends assembled	3'	189800
RG8X One end assembled	50'	189849



Anchor Recommends

- RG 58CU for interconnecting electronic equipment
- RG 59U for TVs and some SAT NAVs
- RG 213 for VHF runs more than 50 feet
- RG 8X for VHF runs less than 50 feet

NMEA 2000® Cables and Connectors **NEW**

Premium Quality. Universal Fit.

Ancor NMEA 2000 approved cables and connectors simplify creating or expanding an NMEA 2000 network. Couplers are color coded to make identifying the power cable or connector easy once installed as part of an NMEA 2000 network. The color coded couplers connect to the corresponding Ancor cables and connectors creating an easy to identify network.

- NMEA 2000 Approved, 100% universal and compatible with other manufacturers' products
- NMEA micro-size



NMEA 2000 Power Cable With Tee

For power connection to an NMEA 2000 network.

The tee is color coded red to make identifying the power cable easy once installed as part of an NMEA 2000 network. The yellow couplers connect to the corresponding Ancor backbone cables and tees creating a simplified, color coded network installation.

- Includes a tee for direct connection to backbone cables
- Large 18 AWG power conductors to reduce voltage drop, provide better reliability and meet the requirements of ABYC and the USCG for minimum size power conductors

Part # 270000 3.3 ft 1 m

Ancor NMEA 2000 Color Key:

- = power connection
- = backbone connection
- = drop connection
- = power isolation

Backbone vs Drop Cables



Backbone Cables:

- yellow coupler
- low loss cable

Drop Cables:

- black coupler
- slim, flexible cable



NMEA 2000 Backbone Cables

For connection to an NMEA 2000 tee connector.

The yellow couplers connect to the corresponding Ancor tees creating a simplified, color coded network installation.

- Large 18 AWG power conductors to reduce voltage drop and provide better reliability for critical backbone cables

Part # 270001 1.6 ft .5 m
 Part # 270002 6.5 ft 2 m
 Part # 270005 16 ft 5 m
 Part # 270010 32 ft 10 m



NMEA 2000 Drop Cables

For connection between an NMEA 2000 device and tee connector.

The black couplers connect to the corresponding Ancor tees creating a simplified, color coded network installation. The drop cables are smaller in diameter and more flexible than backbone cables for easy connection to NMEA 2000 devices.

- Super flexible 22 AWG power conductors for ease of installation and wire routing

Part # 270300 1.6 ft .5 m
 Part # 270301 3.3 ft 1 m
 Part # 270302 6.5 ft 2 m
 Part # 270305 16 ft 5 m



APPROVED

NMEA 2000 Tee Connectors

For connection between NMEA 2000 drop cables and backbone cables.

The yellow couplers connect to the corresponding Ancor tees and backbone cables, creating a simplified, color coded network installation. The connectors are offered in four configurations for maximum installation flexibility. The two way and four way tee connectors allow for multiple drop cables to be connected without additional backbone cable.

Part #	270101	Single Tee Connector
Part #	270103	2 Way Tee Connector
Part #	270104	4 Way Tee Connector



APPROVED



NMEA 2000 Terminators

For proper termination of an NMEA 2000 network.

The yellow couplers connect to the corresponding Ancor tees, creating a simplified, color coded network installation. One male and one female terminator is required for each NMEA 2000 network.

Part #	270105	Female
Part #	270106	Male



APPROVED



NMEA 2000 90° Elbow Connector

Makes cable routing easier.

The connector is installed between two cables to reduce stress on the cables and create a compact installation.

Part # 270108



NMEA 2000 Power Isolator **NEW**

Isolating power within a NMEA 2000 network.

The power isolator connects between NMEA 2000 tees and backbone cables while isolating the power supply within the network.

Part # 270113

NMEA 2000 Starter Kits



NMEA 2000 Single and Dual Device Starter Kits

Kit include all components needed to create a single device NMEA 2000 network.

Single Device Kit includes:

- One 3.3 ft (1m) power cable with tee, part # 270000
- One male terminator, part # 270106 and one female terminator, part # 270105
- One single tee connector, part # 270101
- One 6.5 ft (2m) drop cable, part # 270302

Dual Device Kit includes:

- One 3.3 ft (1m) power cable with tee, part # 270000
- One male terminator, part # 270106 and one female terminator, part # 270105
- One dual tee connector, part # 270103
- Two 6.5 ft (2m) drop cables, part # 270302

Part # 270201 Single device kit

Part # 270202 Dual device kit

TECH tip

Approved vs Certified

NMEA Components—cables and connectors must pass NMEA approval to guarantee that they are manufactured to standards which allow them to be universally used with any manufacturers approved components and certified devices. NMEA Devices—must be certified to run the universal NMEA 2000 communications protocols to be used universally between different manufacturers devices.

TERMINALS & LUGS

Adhesive Lined Heat Shrink Terminals

24

EXPANDED OFFERING



Includes a heat activated adhesive built into the sleeve of the tubing for improved seal and strain relief.

Nylon Insulated Terminals

27



Marine Grade® Nylon terminals are designed for harsh boating applications. Nylon insulators are ideal for crimping and will not split.

Vinyl Insulated Terminals

29



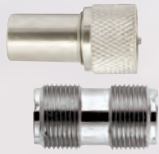
Ideal for non-waterproof applications.



TERMINALS & LUGS

Coax Cable Fittings

30



Ancor's complete line of coax fittings allows custom cable lengths to fit any application.

Tinned Copper Lugs

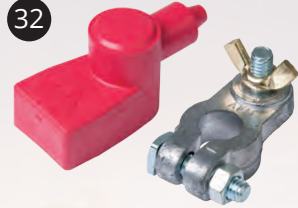
31



Ancor Marine Grade® lugs are made from heavy duty annealed tinned copper for maximum current flow and corrosion resistance.

Battery Terminals, Covers & Clips

32



Provides proper connections to batteries for maximum conductivity.

Electrical systems rely on Ancor terminals and lugs to securely connect a vessel's electrical system so current-carrying loads swiftly move from the source of power to the loads.

Adhesive Lined Heat Shrink Terminals EXPANDED OFFERING

- Heat activated adhesive built into the sleeve of the heat shrink tubing
- Shrinks to form a water tight seal and ultimate vibration and strain relief
- Tinned for corrosion resistance
- Pure copper for maximum current flow
- Brazed seam for maximum strength
- UL listed and CSA recognized
- Shrinks at 275°F / 135°C

Heat Shrink Ring Terminals

- UL 486A

AWG	Screw Size	Qty/ Pkg	Part #
22-18 0.3-0.8 mm ²	#8 4 mm	3	310203
		25	310225
		100	310299
	#10 4.8 mm	3	310303
		25	310325
		100	310399
	1/4" 6.4 mm	3	310403
		25	310425
		100	310499
	5/16" 7.9 mm	3	310503
		25	310525
		100	310599
3/8" 9.5 mm	3	310603	
	25	310625	
	100	310699	
16-14 1-2 mm ²	#8 4 mm	3	311203
		25	311225
		100	311299
	#10 4.8 mm	3	311303
		25	311325
		100	311399
	1/4" 6.4 mm	3	311403
		25	311425
		100	311499
	5/16" 7.9 mm	3	311503
		25	311525
		100	311599
3/8" 9.5 mm	3	311603	
	25	311625	
	100	311699	

AWG	Screw Size	Qty/ Pkg	Part #
12-10 3-5 mm ²	#8 4 mm	3	312203
		25	312225
		100	312299
	#10 4.8 mm	3	312303
		25	312325
		100	312399
	1/4" 6.4 mm	3	312403
		25	312425
		100	312499
	5/16" 7.9 mm	3	312503
		25	312525
		100	312599
3/8" 9.5 mm	3	312603	
	25	312625	
	100	312699	
8 8 mm ²	#10 4.8 mm	3	321303
		25	321325
	1/4" 6.4 mm	3	321403
		25	321425
	5/16" 7.9 mm	3	321503
		25	321525
3/8" 9.5 mm	3	321603	
	25	321625	
1/2" 12.7 mm	3	321703	
	25	321725	



Heat Shrink Snap Plugs



AWG	Gender	Qty/ Pkg	Part #
22-18 0.3-0.8 mm ²	Female	3	318803
		25	318825
		100	318899
	Male	3	318903
		25	318925
		100	318999
16-14 1-2 mm ²	Female	3	319803
		25	319825
		100	319899
	Male	3	319903
		25	319925
		100	319999

Heat Shrink Spade Terminals

- UL 486A



AWG	Screw Size	Qty/ Pkg	Part #
22-18 0.3-0.8 mm ²	#8 4 mm	3	313203
		25	313225
		100	313299
16-14 1-2 mm ²	#8 4 mm	3	314203
		25	314225
		100	314299
	#10 4.8 mm	3	314303
		25	314325
		100	314399
12-10 3-5 mm ²	#8 4 mm	3	315203
		25	315225
		100	315299
	#10 4.8 mm	3	315303
		25	315325
		100	315399

Related Products



Crimping Tools
pages 50-51



Heat Tools
page 52

Heat Shrink Butt Connectors

• UL 486C



AWG	Qty/ Pkg	Part #
22-18 0.3-0.8 mm ²	3	309003
	25	309025
	100	309099
	500	309002
16-14 1-2 mm ²	3	309103
	25	309125
	100	309199
	500	309102
12-10 3-5 mm ²	3	309203
	25	309225
	100	309299
	500	309202
8 8 mm ²	3	309303
	25	309325
	500	309302

NEW

Heat Shrink Disconnects

• .250 (6.4 mm) tab size



AWG	Gender	Qty/ Pkg	Part #
22-18 0.3-0.8 mm ²	Female	3	316803
		25	316825
		100	316899
	Male	3	316903
		25	316925
		100	316999
16-14 1-2 mm ²	Female	3	317803
		25	317825
		100	317899
	Male	3	317903
		25	317925
		100	317999
12-10 3-5 mm ²	Female	3	320803
		25	320825
		100	320899
	Male	3	320903
		25	320925
		100	320999



309000

220011

Adhesive Lined Heat Shrink Butt Connector Packs

- Reusable jar is clear for easy identification of the terminals and has a flip lid for ease of use
- Reusable case contains six compartments for storage of terminals, fasteners or any other small item
- Case's compact size (6.625"L x 3.125"W x 1.375"D) fits easily in most storage areas

AWG	Qty/ Pkg	Pkg	Part #
22-18 0.3-0.8 mm ²	250	jar	309001
16-14 1-2 mm ²	250	jar	309101
12-10 3-5 mm ²	200	jar	309201
Assorted (50) 22-18, (150) 16-14, (50) 12-10 AWG	250	jar	309000
Assorted (25) each	75	case	220011

(2) .250 tab (2) .188 tab (2) .110 tab = (6) each kit



SPK1614

SPK2218

Universal Speaker Connector Kits

Marine speakers are equipped with male disconnects in two sizes (.250 tab for positive and either .188 tab or .110 tab for negative) depending on speaker manufacturer. Ancor's new universal speaker connector kits include all the connectors required to install two speakers regardless of manufacturer. Heat shrink disconnects provide a sealed connection for the harsh marine environment.

Kits include female adhesive lined heat shrink disconnects:

- (2) .250 tab, (2) .188 tab, (2) .110 tab

AWG	Qty/ Pkg	Part #
22-18 0.3-0.8 mm ²	6	SPK2218
16-14 1-2 mm ²	6	SPK1614

Heat Shrink Step-Down/Multi-Wire Connectors

Ancor's new assortment of adhesive lined heat shrink butt connectors can be used as a step-down from one gauge size to another or as a multi-wire connector for one gauge size wire. These connectors offer a sealed alternative for products such as a quick-tap or 3-way connector in areas where corrosion is a concern.

- 4:1 shrink ratio tubing to ensure a watertight seal between wires
- Flared barrel with uniform copper wall ensures an easy and proper mechanical crimp
- Crimp indicator on barrel for proper placement of installation tool
- Clear heat shrink tubing ensures crimp accuracy
- Colored stripes on the barrel indicate which crimp die to use, regardless of application



AWG	Tubing Color	Pkg Qty	Part #	Barrel End 1	Barrel End 2
24-22 0.2-0.3 mm ²	Clear tube w/ white dashes □□□□□	3	320003	(1) 24-22 AWG	(1) 22-18 AWG or (2) 24-22 AWG
		25	320025		
22-18 0.3-0.8 mm ²	Clear tube w/ red dashes ■ ■ ■ ■ ■	3	320103	(1) 22-18 AWG	(1) 16-14 AWG or (2) 22-18 AWG
		25	320125		
16-14 1-2 mm ²	Clear tube w/ blue dashes ■ ■ ■ ■ ■	3	320203	(1) 16-14 AWG	(1) 12-10 AWG or (2) 16-14 AWG
		25	320225		
12-10 3-5 mm ²	Clear tube w/ yellow dashes ■ ■ ■ ■ ■	3	320303	(1) 12-10 AWG	(1) 8 AWG or (2) 12-10 AWG
		25	320325		

Kit

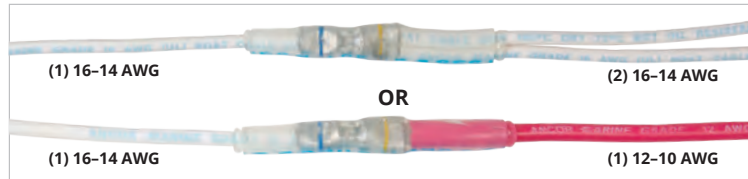
AWG	Qty/ Pkg	Pkg	Part #
Assorted (5) 24-22 AWG, (10) 22-18 AWG, (10) 16-14 AWG, (5) 12-10 AWG	30	jar	320000

NEW



320000

16-14 AWG Step-Down Connector Example



TECH tip™

Why Heat Shrink Terminals?

Heat shrink terminals create a sealed connection between the terminal itself and the wire the connector is crimped to. Sealed connections prevent corrosion and provide additional strain relief for the connection. Corrosion reduces the carrying capacity of the electrical system and reduces the strength of the conductor. Over time, wire that is not sealed can degrade and break, leading to costly repairs.

Related Products



Crimping Tools
pages 50-51



Heat Tools
page 52

Marine Grade® Terminals

- Ancor's Marine Grade® terminals differ from automotive terminals by being designed for the harsh marine environment
- Tinned copper gives the least electrical resistance but the most corrosion protection
- Nylon insulators are easy to crimp and will not split
- Barrels are designed to tightly grip the wire with the least effort



Nylon Ring Terminals

- Nylon insulated with insulation grip
- Double crimp, funnel entry
- UL 486C

AWG	Screw Size	Qty/ Pkg	Part #
22-18 0.3-0.8 mm ²	#6 3.6 mm	6	230201
		25	210201
	#8 4 mm	6	230202
		100	220202
	#10 4.8 mm	6	230203
		25	210203
		100	220203
		500	222203
	1/4" 6.4 mm	5	230204
		25	210204
		100	220204
		5	230205
5/16" 7.9 mm	25	210205	
	100	220205	
3/8" 9.5 mm	5	230206	
	25	210206	
	100	220206	
16-14 1-2 mm ²	#6 3.6 mm	6	230211
		25	210211
	#8 4 mm	6	230212
		100	220212
	#10 4.8 mm	6	230213
		25	210213
		100	220213
		500	222213
	1/4" 6.4 mm	5	230214
		25	210214
		100	220214
	5/16" 7.9 mm	5	230215
25		210215	
	100	220215	
3/8" 9.5 mm	5	230216	
	25	210216	
	100	220216	

AWG	Screw Size	Qty/ Pkg	Part #
12-10 3-5 mm ²	#6 3.6 mm	5	230221
		25	210221
	#8 4 mm	5	230222
		25	210222
		100	220222
	#10 4.8 mm	5	230223
		25	210223
		100	220223
		500	222223
	1/4" 6.4 mm	4	230224
		25	210224
		100	220224
5/16" 7.9 mm	4	230225	
	25	210225	
	100	220225	
3/8" 9.5 mm	4	230226	
	25	210226	
	100	220226	
1/2" 12.7 mm	3	230227	
	25	210227	
	50	220227	
#10 4.8 mm	2	230233	
	25	210233	
	100	222233	
1/4" 6.4 mm	2	230234	
	25	210234	
	100	222234	
5/16" 7.9 mm	2	230235	
	25	210235	
	100	222235	
3/8" 9.5 mm	2	230236	
	25	210236	
	100	222236	
1/2" 12.7 mm	1	230237	
	25	210237	
	100	222237	

AWG	Screw Size	Qty/ Pkg	Part #
6 13 mm ²	#10 4.8 mm	1	230243
		25	210243
		100	222243
	1/4" 6.4 mm	1	230244
		25	210244
		100	222244
	5/16" 7.9 mm	1	230245
		25	210245
		100	222245
	3/8" 9.5 mm	1	230246
		25	210246
		100	222246
1/2" 12.7 mm	1	230247	
	25	210247	
	100	222247	
4 21 mm ²	#10 4.8 mm	1	230253
		25	210253
		100	222253
	1/4" 6.4 mm	1	230254
		25	210254
		100	222254
	5/16" 7.9 mm	1	230255
		25	210255
		100	222255
	3/8" 9.5 mm	1	230256
		25	210256
		100	222256
1/2" 12.7 mm	1	230257	
	25	210257	
	100	222257	

Related Products



Crimping Tools
pages 50-51

Nylon Flanged Spades

- Nylon insulated with insulation grip
- Double crimp, funnel entry
- UL 486C



AWG	Screw Size	Qty/ Pkg	Part #
22-18 0.3-0.8 mm ²	#6 3.6 mm	6	230301
		25	210301
		6	230302
	#8 4 mm	25	210302
		100	220302
		6	230303
16-14 1-2 mm ²	#10 4.8 mm	25	210303
		100	220303
		6	230311
	#6 3.6 mm	25	210311
		6	230312
		25	210312
12-10 3-5 mm ²	#8 4 mm	100	220312
		6	230313
		25	210313
	#10 4.8 mm	100	220313
		5	230321
		25	210321
12-10 3-5 mm ²	#6 3.6 mm	5	230322
		100	220322
		25	210322
	#8 4 mm	5	230323
		25	210323
		100	220323

Nylon Single Crimp Butt Connectors

- Nylon insulated seamless
- UL 486C



AWG	Qty/ Pkg	Part #
22-18 0.3-0.8 mm ²	7	230100
	25	210100
	100	220100
	500	222100
16-14 1-2 mm ²	7	230110
	25	210110
	100	220110
	500	222110
12-10 3-5 mm ²	5	230120
	25	210120
	100	220120
	500	222120

Nylon Double Crimp Butt Connectors

- Nylon insulated with insulation grip
- Funnel entry
- UL 486C



AWG	Qty/ Pkg	Part #
22-18 0.3-0.8 mm ²	3	230161
	25	210161
	100	220161
	500	222161
16-14 1-2 mm ²	3	230162
	25	210162
	100	220162
	500	222162
12-10 3-5 mm ²	2	230163
	25	210163
	100	220163
	500	222163

Nylon Fully Insulated Disconnects

- .250 (6.4 mm) tab size
- Nylon insulated with insulation grip
- Double crimp, funnel entry
- UL 310



AWG	Gender	Qty/ Pkg	Part #
22-18 0.3-0.8 mm ²	Female	4	231408
		25	211408
		100	221408
	Male	4	231409
		25	211409
		100	221409
16-14 1-2 mm ²	Female	4	231418
		25	211418
		100	221418
	Male	4	231419
		25	211419
		100	221419
12-10 3-5 mm ²	Female	3	231428
		25	211428
		100	221428
	Male	3	231429
		25	211429
		100	221429

Nylon Disconnects

- .250 (6.4 mm) tab size
- Nylon insulated with insulation grip
- Double crimp, funnel entry
- UL 310



AWG	Gender	Qty/ Pkg	Part #
22-18 0.3-0.8 mm ²	Female	4	230808
		25	210808
		100	220808
	Male	4	230809
		25	210809
		100	220809
16-14 1-2 mm ²	Female	4	230818
		25	210818
		100	220818
	Male	4	230819
		25	210819
		100	220819
12-10 3-5 mm ²	Female	3	230828
		25	210828
		100	220828
	Male	3	230829
		25	210829
		100	220829

Nylon 3-Way Connectors

- Nylon insulated with insulation grip
- Double crimp, funnel entry



AWG	Qty/ Pkg	Part #
16-14 1-2 mm ²	1	230510
	25	210510
12-10 3-5 mm ²	1	230520
	25	210520

Nylon Snap Plugs

- Nylon insulated with insulation grip
- Double crimp, funnel entry
- UL 310



AWG	Gender	Qty/ Pkg	Part #
22-18 0.3-0.8 mm ²	Female	4	230709
		25	210709
		100	220709
	Male	4	230708
		25	210708
		100	220708
16-14 1-2 mm ²	Female	4	230719
		25	210719
		100	220719
	Male	4	230718
		25	210718
		100	220718

Splash Proof Snap Plugs with Inserts

- Includes both female and male plugs



AWG	Qty/ Pkg	Part #
22-18 0.3-0.8 mm ²	4	231480
	25	211480
16-14 1-2 mm ²	4	231490
	25	211490

Nylon Multi-Stack Connectors

- .250 (6.4mm) tab size
- Nylon insulated with insulation grip
- Double crimp, funnel entry
- UL 310



AWG	Qty/ Pkg	Part #
16-14 1-2 mm ²	3	230612
	25	210612
	100	220612

Vinyl Step Down Butt Connectors

- Vinyl insulated
- UL 486C



AWG	Qty/ Pkg	Part #
16-14 to 22-18 1-2 to 0.3-0.8 mm ²	3	230164
	25	210164
	100	220164
12-10 to 16-14 3-5 to 1-2 mm ²	3	230165
	25	210165
8 to 12-10 8 to 3-5 mm ²	3	230166
	25	210166

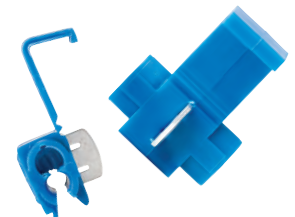
Vinyl Butt Connectors

- Vinyl insulated
- UL 486C



AWG	Qty/ Pkg	Part #
8 8 mm ²	2	230130
	25	210130
	100	222130
6 13 mm ²	1	230140
	25	210140
	100	222140
4 21 mm ²	1	230150
	25	210150
	100	222150

Splice Connects



AWG	Qty/ Pkg	Part #
18-14 0.8-2 mm ²	4	230615
	25	210615
	100	220615

Double Male-Female Adapter

- .250 (6.4mm) tab size








Qty/ Pkg	Part #
5	230613
25	210613

Related Products



Crimping Tools
pages 50-51

Coax Cable Fittings

	Description	Hex	Wire Size	Qty/ Pkg	Part #
BNC Connectors					
	Crimp-On Male Plug	.320/.250	RG59	1	203100
UHF Connectors					
	Twist UHF Male Plug (PL259)		RG58	1	202175
			RG8X	1	202176
	Solder On UHF Male Plug (PL259)		RG8U/ RG213	1	200259
	Double Female (PL258)			1	200258
	Deck Bulkhead Feed (PL258)			1	200250

Related Products



Coaxial Cable
page 19

TECH tip™

Installation Instructions for Twist-on Connectors

1. To install Ancor twist-on connectors, strip the cable to expose 9/16" of the center conductor. Strip the outer jacket to expose 1/4" of the braid. Make sure that the braided shield does not touch the inner conductor.
2. Insert the cable into the connector until the center conductor protrudes through the center of the connector.
3. Twist the small knurled end while gently pushing the connector onto the cable until resistance is felt. Crimp or solder the center conductor.
4. Cut off any excess. It is strongly recommended that a piece of Ancor 3/4" heat shrink be installed on all exterior UHF connectors to waterproof and relieve strain.

Tinned Copper Lugs

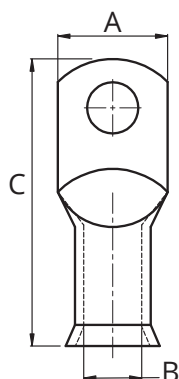
- Ancor Marine Grade® lugs are manufactured from heavy-duty annealed tinned copper, providing for maximum current flow
- 100% tin plated copper resists corrosion from salt and moisture
- Seamless barrel design allows for maximum strength when crimped
- Closed end design seals out moisture so cables stay dry and corrosion free
- UL 486A



AWG	Screw Size	Qty/ Pkg	Part #
8 8 mm ²	#10 4.8 mm	2	252233
		25	242233
		100	244233
	1/4" 6.4 mm	2	252234
		25	242234
	5/16" 7.9 mm	25	242235
		100	244235
	3/8" 9.5 mm	2	252236
		25	242236
	1/2" 12.7 mm	2	252237
		10	242237
	5/16" & 3/8" 7.9 & 9.5 mm	1/1	252231
		2	252243
	6 13 mm ²	#10 4.8 mm	25
100			244243
2			252244
1/4" 6.4 mm		25	242244
		100	244244
5/16" 7.9 mm		2	252245
		25	242245
3/8" 9.5 mm		2	252246
		25	242246
1/2" 12.7 mm		2	252247
		10	242247
5/16" & 3/8" 7.9 & 9.5 mm		1/1	252241

AWG	Screw Size	Qty/ Pkg	Part #	
4 21 mm ²	#10 4.8 mm	2	252253	
		25	242253	
		100	244253	
	1/4" 6.4 mm	2	252254	
		25	242254	
	5/16" 7.9 mm	2	252255	
		25	242255	
	3/8" 9.5 mm	2	252256	
		25	242256	
	1/2" 12.7 mm	2	252257	
		10	242257	
	5/16" & 3/8" 7.9 & 9.5 mm	1/1	252251	
		2	252264	
	2 34 mm ²	1/4" 6.4 mm	25	242264
2			252265	
25			242265	
5/16" 7.9 mm		2	252266	
		25	242266	
3/8" 9.5 mm		2	252267	
		25	242267	
1/2" 12.7 mm		2	252267	
		10	242267	
5/16" & 3/8" 7.9 & 9.5 mm		1/1	252261	
		2	252274	
1 42 mm ²		1/4" 6.4 mm	25	242274
			2	252275
			25	242275
	5/16" 7.9 mm	2	252276	
		25	242276	
	3/8" 9.5 mm	2	252277	
		10	242277	
	1/2" 12.7 mm	2	252277	
		10	242277	
	5/16" & 3/8" 7.9 & 9.5 mm	1/1	252271	

AWG	Screw Size	Qty/ Pkg	Part #	
1/0 53 mm ²	1/4" 6.4 mm	2	252284	
		25	242284	
	5/16" 7.9 mm	2	252285	
		25	242285	
	3/8" 9.5 mm	2	252286	
		25	242286	
	1/2" 12.7 mm	2	252287	
		10	242287	
	5/16" & 3/8" 7.9 & 9.5 mm	1/1	252281	
		2	252294	
	2/0 68 mm ²	1/4" 6.4 mm	25	242294
			2	252295
		5/16" 7.9 mm	25	242295
			100	244295
3/8" 9.5 mm		2	252296	
		25	242296	
1/2" 12.7 mm		2	252297	
		10	242297	
5/16" & 3/8" 7.9 & 9.5 mm		1/1	252291	
		2	252715	
3/0 85 mm ²		5/16" 7.9 mm	10	242715
			100	244715
		3/8" 9.5 mm	2	252716
			10	242716
	1/2" 12.7 mm	2	252717	
		10	242717	
	5/16" 7.9 mm	2	252725	
		10	242725	
	4/0 107 mm ²	3/8" 9.5 mm	2	252726
			10	242726
		1/2" 12.7 mm	2	252727
			10	242727



Lug Dimensions

AWG	A	B	C
8	0.465"	0.190"	1.313"
6	0.540"	0.232"	1.512"
4	0.545"	0.280"	1.606"
2	0.650"	0.336"	1.622"-1.772"
1	0.645"	0.360"	1.718"-1.845"

AWG	A	B	C
1/0	0.725"	0.410"	1.845"
2/0	0.825"	0.460"	2.236"-2.268"
3/0	0.910"	0.510"	2.323"
4/0	1.015"	0.560"	2.563"

Related Products



Crimping Tools
pages 50-51

Heavy-duty Butt Connectors

100% Tinned Copper • UL 486A

AWG		Qty/ Pkg	Part #
8	8 mm ²	2	252130
6	13 mm ²	2	252140
4	21 mm ²	2	252150
2	34 mm ²	2	252160
1	42 mm ²	2	252170
1/0	53 mm ²	2	252180
2/0	68 mm ²	2	252190



Lead Battery Terminals

Description	Positive/ Negative	Stud Size	Qty/ Pkg	Part #
Wing Nut Style	Negative	5/16" (8 mm)	1	260100
Yellow Brass Nut	Positive	3/8" (10 mm)	1	260200
	Pos/Neg	5/16" & 3/8" (8 & 10 mm)	1/1	260325

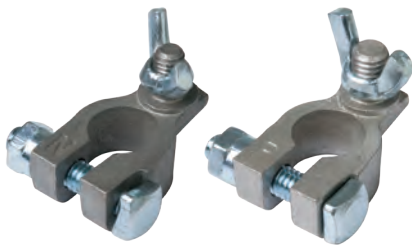


260100

260200

Tinned Brass Battery Terminals

Description	Positive/ Negative	Stud Size	Qty/ Pkg	Part #
	Negative	5/16" (8 mm)	1	260010
Wing Nut Style	Positive	3/8" (10 mm)	1	260012
Yellow Brass Nut	Pos/Neg	5/16" & 3/8" (8 & 10 mm)	1/1	260322



260010

260012



Related Products



Battery Terminal Brush
page 53



Adhesive Lined Heavy Wall
Battery Cable Tubing
page 37

Battery Terminal Boots

Description	Size	Color	Qty/ Pkg	Part #
Wing Nut Style	4 & 2 (19 & 32 mm ²)	Black/Red	1/1	260350
Right Angle	8-2 (8-32 mm ²)	Red	1	260381



Anti-Corrosion Rings

- Prevents acid leak corrosion
- Chemically treated to prevent terminal corrosion
- Made from non-woven felt and saturated in a battery corrosion preventative compound.

Color	Qty/ Pkg	Part #
Red/Black	1/1	260405



Battery Clips

Color	Size	Qty/ Pkg	Part #
Red/Black	10A	1/1	260505



WIRE MANAGEMENT

Adhesive Lined Heat Shrink Tubing

36

EXPANDED OFFERING



Anchor uses crosslinked polyolefin material for its superior strength and burn resistance. A heat activated adhesive lining creates an impervious seal and provides strain relief.

Repair & Electrical Tape

38



A wide range of repair tape and electrical tape in multiple colors.

Cable Ties

39



Anchor offers a wide variety of materials, sizes and styles including the innovative Self-Cutting Cable Tie which is now available in a mounting version.

Wire Seals

43



Overlapping clamping spines allow for superior pull-out resistance and protection. Strain relief fittings are resistant to salt water, acids, oil, and are not corrosive for marine applications.



WIRE MANAGEMENT

Cable Clamps

44



Stainless steel and Nylon cable clamps are corrosion resistant for marine applications. They absorb shock and vibrations; reducing unwanted noise.

Split Loom & Spiral Wrap

45



Allows flexible routing of cable harnesses and provides abrasion resistance for wire and cable.

Grommets

46



Provides abrasion resistance for wires passing through panel holes. Flexible construction makes installation simple.

Wire Management Kits

46



Ancor offers a wide variety of preassembled kits for all of your wire management projects.



Wire management is integral in making sure that wires and connections are kept organized and protected per ABYC

Adhesive Lined Heat Shrink Tubing (ALT)

EXPANDED OFFERING

- Cross Linked polyolefin tubing is much stronger than PVC tubing and will not burn like PVC
- Heat activated adhesive lining provides impervious seal to salt water, oil, acids, and sunlight as well as providing strain relief
- Highest shrink ratio - shrinks to 1/3 original size
- Shrinks at 257°F / 125°C
- Operating temperature range of -40°F to 230°F / -40°C to 110°C
- UL 224



Wire Range	ALT Dia	Color	Length	Qty/ Pkg	Part #	
<18 AWG <0.8 mm ²	<1/8" <3.2 mm	Black	3" 7.6 cm	3	301103	
			6" 15.2 cm	10	301106	
			12" 30.5 cm	10	301124	
			48" 122 cm	1	301148	
20-12 AWG 0.5-3 mm ²	3/16" 4.8 mm	Black	3" 7.6 cm	3	302103	
			6" 15.2 cm	10	302106	
			12" 30.5 cm	10	302124	
			48" 122 cm	1	302148	
		Red	3" 7.6 cm	3	302603 NEW	
			6" 15.2 cm	10	302606 NEW	
			12" 30.5 cm	10	302624 NEW	
			48" 122 cm	1	302648 NEW	
16-10 AWG 1-5 mm ²	1/4" 6.4 mm	Black	3" 7.6 cm	3	303103	
			6" 15.2 cm	10	303106	
			12" 30.5 cm	10	303124	
			48" 122 cm	1	303148	
		Black/Red	3" 7.6 cm	1/1	303602 NEW	
			Red	3" 7.6 cm	3	303603
				6" 15.2 cm	5	303606
				12" 30.5 cm	10	303624
48" 122 cm	1	303648				
12-8 AWG 3-8 mm ²	3/8" 9.5 mm	Black	3" 7.6 cm	3	304103	
			6" 15.2 cm	5	304106	
			12" 30.5 cm	5	304124	
			48" 122 cm	1	304148	
		Black/Red	3" 7.6 cm	1/1	304602	
			Red	3" 7.6 cm	3	304603
				6" 15.2 cm	5	304606
				12" 30.5 cm	5	304624
48" 122 cm	1	304648				
8-4 AWG 8-19 mm ²	1/2" 12.7 mm	Black	3" 7.6 cm	3	305103	
			6" 15.2 cm	5	305106	
			12" 30.5 cm	5	305124	
			48" 122 cm	1	305148	
		Black/Red	3" 7.6 cm	1/1	305602	
			Red	3" 7.6 cm	3	305603
				6" 15.2 cm	5	305606 NEW
				12" 30.5 cm	5	305624
48" 122 cm	1	305648				

Wire Range	ALT Dia	Color	Length	Qty/ Pkg	Part #	
8-2/0 AWG 13-62 mm ²	3/4" 19 mm	Black	3" 7.6 cm	3	306103	
			6" 15.2 cm	4	306106	
			12" 30.5 cm	4	306124	
			48" 122 cm	1	306148	
		Black/Red	3" 7.6 cm	1/1	306602	
			Red	3" 7.6 cm	3	306603
				6" 15.2 cm	4	306606
				12" 30.5 cm	4	306624
48" 122 cm	1	306648				
2-4/0 AWG 32-103 mm ²	1" 25.4 mm	Yellow	3" 7.6 cm	3	306903 NEW	
			6" 15.2 cm	4	306906 NEW	
			12" 30.5 cm	4	306924	
			48" 122 cm	1	306948 NEW	
		Black	3" 7.6 cm	3	307103	
			6" 15.2 cm	3	307106	
			12" 30.5 cm	3	307124	
			48" 122 cm	1	307148	
2-4/0 AWG 32-103 mm ²	1" 25.4 mm	Black/Red	3" 7.6 cm	1/1	307602 NEW	
			Red	3" 7.6 cm	3	307603 NEW
				6" 15.2 cm	3	307606 NEW
				12" 30.5 cm	3	307624
		48" 122 cm	1	307648		
		Yellow	3" 7.6 cm	3	307903 NEW	
			6" 15.2 cm	4	307906	
			12" 30.5 cm	4	307924 NEW	
48" 122 cm	1		307948 NEW			

Kits

Wire Range	ALT Dia	Color	Length	Qty/ Pkg	Part #
20-2/0 AWG .5-62 mm ²	3/16"-3/4" 4.8-19 mm	Black	3" 7.6 cm	8	301503
			6" 15.2 cm	8	301506
12-8 AWG 3-8 mm ²	3/8" 9.5 mm	Assorted (yw, wh, bl, gr, rd)	3" 30.5 cm	5	304503
			6" 122 cm	5	304506
8-2/0 AWG 8-62 mm ²	3/4" 19 mm	Assorted (yw, wh, bl, gr)	3" 7.6 cm	4	306503

Adhesive Lined Tubing Specifications (3:1 ratio)

Size	Shrinks to	Wire Range (AWG)
1/8" 3.2 mm	1/32" 0.8 mm	<18 < 0.8 mm ²
3/16" 4.8 mm	1/16" 1.6 mm	20-12 0.5-3 mm ²
1/4" 6.4 mm	5/64" 2 mm	16-10 1-5 mm ²
3/8" 9.5 mm	1/8" 3.2 mm	12-8 3-8 mm ²
1/2" 12.7 mm	5/32" 4 mm	8-4 8-19 mm ²
3/4" 19 mm	1/4" 6.4 mm	8-2/0 13-62 mm ²
1" 25.4 mm	5/16" 7.9 mm	2-4/0 32-103 mm ²

Related Products



Nylon terminals
page 27



Heat Tools
page 52

Adhesive Lined Heavy Wall Battery Cable Tubing (BCT)

EXPANDED OFFERING

- 3:1 ratio
- Shrinks at 257°F / 125°C
- UL 224



BCT Dia.	BCT Color	Length	Qty/ Pkg	Part #	
3/4" 19 mm	Black	3"	7.6 cm	3	326103
		6"	15.2 cm	3	326106
		12"	30.5 cm	3	326124
		48"	122 cm	1	326148
	Black/Red	3"	7.6 cm	1/1	326202
		6"	15.2 cm	3	326603
		12"	30.5 cm	3	326606
		48"	122 cm	1	326624
	Red	3"	7.6 cm	3	326648
		6"	15.2 cm	3	326903 NEW
		12"	30.5 cm	3	326906 NEW
		48"	122 cm	1	326924 NEW
Yellow	3"	7.6 cm	3	326903 NEW	
	6"	15.2 cm	3	326906 NEW	
	12"	30.5 cm	3	326924 NEW	

BCT Dia.	BCT Color	Length	Qty/ Pkg	Part #	
1" 25 mm	Black	3"	7.6 cm	2	327103 NEW
		6"	15.2 cm	2	327106 NEW
		12"	30.5 cm	2	327124
		48"	122 cm	1	327148
	Black/Red	3"	7.6 cm	1/1	327202
		6"	15.2 cm	2	327603 NEW
		12"	30.5 cm	2	327606
		48"	122 cm	1	327624
	Red	3"	7.6 cm	2	327648
		6"	15.2 cm	2	327903 NEW
		12"	30.5 cm	2	327906 NEW
		48"	122 cm	1	327924 NEW
Yellow	3"	7.6 cm	2	327903 NEW	
	6"	15.2 cm	2	327906 NEW	
	12"	30.5 cm	2	327924 NEW	

Adhesive Lined Heavy Wall Tubing Specifications (3:1 ratio)

Size	Shrinks to	Wire Range (AWG)
3/4" 19 mm	1/4" 6 mm	8-2/0 13-62 mm ²
1" 25 mm	3/8" 9 mm	2-4/0 32-103 mm ²



TECH tip

Properly Shrinking Heat Shrink Tubing

To properly shrink heat shrink tubing, start by selecting a heat source that will apply the appropriate temperature. Heat shrink tubing will state the shrink temperature, while heat tools are rated based on flame temperatures. Once a heat tool is selected, apply heat gradually to avoid shrinking the tubing inconsistently or burning the tubing. Additionally, continually moving the heat source along the length of the tube will reduce the likelihood of burning the tubing during installation.

Related Products



Repair Tape

Repair Tape fuses only to itself when applied under tension. No sticky residue remains on wrapped surfaces.

- Operates and remains flexible from -60°F to 500°F / -51°C to 260°C
- Stretches up to 300% its original length with 60 ppi tear strength
- A permanent air and water tight seal
- Excellent UV resistance
- Begins to bond immediately on contact with itself

Color	Length	Part #	Pkg Qty
Black	1"x10'	341010	1/roll
Blue	1"x10'	342010	1/roll
Clear	1"x10'	343010	1/roll
Green	1"x10'	344010	1/roll
Grey	1"x10'	345010	1/roll
Red	1"x10'	346010	1/roll
White	1"x10'	347010	1/roll
Yellow	1"x10'	348010	1/roll



Premium Electrical Tape

Quality electrical tape designed for general purpose electrical applications.

- Made from low-lead 7-mil PVC material
- For applications up to 600V
- Temp rating up to 176°F / 80°C
- UV and moisture resistant

Color	Length	Part #	Pkg Qty
Black	3/4"x66'	331066	1/roll
Blue	3/4"x66'	332066	1/roll
Brown	3/4"x66'	333066	1/roll
Orange	3/4"x66'	334066	1/roll
Green	3/4"x66'	335066	1/roll
Red	3/4"x66'	336066	1/roll
White	3/4"x66'	337066	1/roll
Yellow	3/4"x66'	338066	1/roll
Assorted (1 ea of black, red, white, green & yellow)	1/2"x20'	339066	5/roll



Cable Ties

Ancor offers a wide variety of materials, styles, and sizing options. A patented, DoubleLock™ design offers increased tensile strength that is 33% stronger than the industry standard cable tie.

With a unique design and high-quality construction, Ancor cable ties provide a great solution for bundling wire, cable, hoses, cords, and countless other applications.



Standard Cable Ties

Length	Color	Unit Qty	Part #	DOUBLE LOCK™ 33% STRONGER	UL®	Bundle Dia Max	Tensile Strength
4"	natural	25	199200	no	yes	13/16"	18 lbs
		100	199201	no	yes	13/16"	18 lbs
	UVB*	25	199202	no	yes	13/16"	18 lbs
		100	199203	no	yes	13/16"	18 lbs
6"	natural	25	199246	yes	yes	1-3/8"	45 lbs
		100	199247	yes	yes	1-3/8"	45 lbs
	UVB*	25	199248	yes	yes	1-3/8"	45 lbs
		100	199249	yes	yes	1-3/8"	45 lbs
8"	natural	25	199204	yes	yes	2"	75 lbs
		100	199205	yes	yes	2"	75 lbs
	UVB*	25	199206	yes	yes	2"	75 lbs
		100	199207	yes	yes	2"	75 lbs
11"	natural	25	199208	yes	yes	3"	75 lbs
		100	199209	yes	yes	3"	75 lbs
	UVB*	25	199210	yes	yes	3"	75 lbs
		100	199211	yes	yes	3"	75 lbs
14"	natural	25	199212	yes	yes	4"	75 lbs
		100	199213	yes	yes	4"	75 lbs
	UVB*	25	199214	yes	yes	4"	75 lbs
		100	199215	yes	yes	4"	75 lbs

* UV Resistant



Heavy-duty Cable Ties

Length	Color	Unit Qty	Part #	DOUBLE LOCK™ 33% STRONGER	UL®	Bundle Dia Max	Tensile Strength
15"	UVB*	25	199259	yes	yes	4"	120 lbs
		100	199260	yes	yes	4"	120 lbs
17"	natural	10	199216	no	yes	4-9/10"	175 lbs
	UVB*	10	199217	no	yes	4-9/10"	175 lbs
24"	natural	10	199218	no	yes	7"	175 lbs
	UVB*	10	199219	no	yes	7"	175 lbs
36"	natural	10	199220	no	yes	10-3/10"	175 lbs
	UVB*	10	199221	no	yes	10-3/10"	175 lbs
48"	natural	10	199222	no	yes	14-3/10"	175 lbs
	UVB*	10	199223	no	yes	14-3/10"	175 lbs

* UV Resistant



Releasable Cable Ties

Length	Color	Unit Qty	Part #	DOUBLE LOCK™ RESISTANT	RL®	Bundle Dia Max	Tensile Strength
8"	natural	25	199240	no	yes	1-3/4"	50 lbs
	UVB*	25	199241	no	yes	1-3/4"	50 lbs
16"	UVB*	4	199242	no	yes	4"	175 lbs
28"	UVB*	3	199243	no	yes	8"	175 lbs

* UV Resistant



Mounting Cable Ties

Length	Color	Unit Qty	Part #	DOUBLE LOCK™ RESISTANT	RL®	Bundle Dia Max	Tensile Strength
4"	UVB*	25	199245	no	yes	3/4"	18 lbs
6"	natural	25	199250	no	yes	1-3/8"	30 lbs
		100	199251	no	yes	1-3/8"	30 lbs
	UVB*	25	199252	no	yes	1-3/8"	30 lbs
		100	199253	no	yes	1-3/8"	30 lbs
8"	natural	25	199226	no	yes	2"	50 lbs
		100	199227	no	yes	2"	50 lbs
	UVB*	25	199228	no	yes	2"	50 lbs
		100	199229	no	yes	2"	50 lbs
	natural	25	199230	no	yes	4"	50 lbs
		25	199257	no	yes	4"	50 lbs
14"	UVB*	100	199258	no	yes	4"	50 lbs

* UV Resistant



199224

199261

199225

Cable Tie Kits

Length	Description	Unit Qty	Part #	DOUBLE LOCK™ RESISTANT	RL®	Bundle Dia Max	Tensile Strength
8"	assorted colors	24	199224	yes	yes	2"	75 lbs
4", 6", 8"	natural/UVB*	25	199261	yes [▲]	yes	13/16", 2"	18, 75 lbs
4", 6", 8"	natural color	500	199225	yes [▲]	yes	13/16", 1-1/2", 2"	18, 45, 75 lbs

* UV Resistant

[▲] DoubleLock™ on 6" and 8" ties only



Specialty Cable Ties

Length	Description	Unit Qty	Part #	DOUBLE LOCK™ RESISTANT	RL®	Bundle Dia Max	Tensile Strength
8"	natural I.D. tie	25	199237	no	yes	2"	50 lbs
11"	stainless steel*	10	199238	no	yes	3-3/4"	100 lbs
	black grip strip	5	199239	no	no	n/a	n/a

* UV Resistant

Self-cutting Cable Ties EXPANDED OFFERING

Save time and frustration using the latest innovation from Ancor, a self-cutting cable tie. Simply lock and twist to finish the job, with no need for additional tools! Integrated stainless steel blade leaves a clean flush cut, which improves appearance and eliminates the sharp tail while maintaining a tensile strength above industry standards.



Standard Self-cutting Cable Ties

Length	Color	Unit Qty	Part #	Tensile Strength
NEW 4"	Natural	50/bag	199333	35 lb
		500/bag	199334	35 lb
	UVB*	50/bag	199336	35 lb
		500/bag	199337	35 lb
NEW 6"	Natural	50/bag	199339	35 lb
		500/bag	199340	35 lb
	UVB*	50/bag	199342	35 lb
		500/bag	199343	35 lb
8"	Natural	20/bag	199274	50 lb
		50/bag	199275	50 lb
		500/bag	199267	50 lb
	UVB*	20/bag	199276	50 lb
		50/bag	199277	50 lb
		500/bag	199264	50 lb
11"	Natural	20/bag	199278	50 lb
		50/bag	199279	50 lb
		500/bag	199268	50 lb
	UVB*	20/bag	199280	50 lb
		50/bag	199281	50 lb
		500/bag	199265	50 lb
14"	Natural	20/bag	199282	50 lb
		50/bag	199283	50 lb
		500/bag	199269	50 lb
	UVB*	20/bag	199284	50 lb
		50/bag	199285	50 lb
		500/bag	199266	50 lb

* UV Resistant



Heavy-duty Self-cutting Cable Ties

Length	Color	Unit Qty	Part #	Tensile Strength
15"	Natural	20/bag	199320	120 lb
		100/bag	199321	120 lb
	UVB*	20/bag	199318	120 lb
		100/bag	199319	120 lb
17"	Natural	10/bag	199323	120 lb
	UVB*	10/bag	199322	120 lb

* UV Resistant



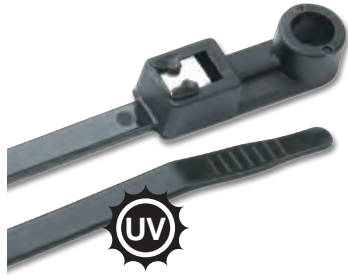
TECH tip™

Wire Bundling Per ABYC Guidelines

ABYC states: "Conductors shall be supported throughout their length or shall be secured at least every 18 inches (455mm) by one of the following methods:

- By means of non-metallic clamps sized to hold the conductors firmly in place. The material shall be resistant to oil, gasoline, and water and shall not break or crack within a temperature range of -34°C (30°F) to 121°C (250°F)

All of Ancor's cable ties are resistant to oil, gasoline, and water and are rated for use within the ABYC specified range.



Mounting Self-cutting Cable Ties

Length	Color	Unit Qty	Part #	Tensile Strength
8"	Natural	20/bag	199309	50 lb
		50/bag	199310	50 lb
		500/bag	199311	50 lb
	UVB*	20/bag	199300	50 lb
		50/bag	199301	50 lb
		500/bag	199302	50 lb
11"	Natural	20/bag	199312	50 lb
		50/bag	199313	50 lb
		500/bag	199314	50 lb
	UVB*	20/bag	199303	50 lb
		50/bag	199304	50 lb
		500/bag	199305	50 lb
14"	Natural	20/bag	199315	50 lb
		50/bag	199316	50 lb
		500/bag	199317	50 lb
	UVB*	20/bag	199306	50 lb
		50/bag	199307	50 lb
		500/bag	199308	50 lb

* UV Resistant

TECH tip™

Cable Ties and Moisture

To prevent brittleness and cracking, a certain amount of moisture is incorporated into the Nylon 6/6 material that makes cable ties. Over time, this added moisture can evaporate; especially in dry conditions with low relative humidity. The following steps will help cable ties maintain their pliability and tensile strength:

- Cable ties should be stored in the manufacturer's original packaging until ready for use.
- Partial cable tie bags should be closed or sealed if at all possible. Several drops of water can be added to the bag to provide moisture.
- Cable ties should not be stored in an unheated warehouse or similar location.
- Cable ties inventory should be rotated frequently and used within one year of purchase.

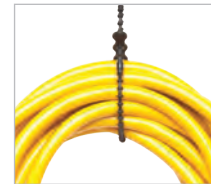


Reusable Beaded Cable Ties

Finally, a re-usable cable tie that offers the heavy-duty tensile strength you need. Easier than a twist tie, more versatile than a cable tie, and stronger than hook and loop fasteners.

- Reusable: Beads lock and release through key-hole slots
- Heavy Duty: 70 lb and 140 lb tensile strength
- Adjustable: Bundle capacities from 1/4" to 7" diameters or string together for greater capacity
- Secure: Bundle and secure with double lock through 2 convenient keyhole slots to bind, hook, and secure
- Flexible: Bundle and create a loop to hang

Length	Color	Unit Qty	Part #	Bundle Dia Max	Tensile Strength
8"	Black	15	199286	2"	70 lb
		40	199287	2"	70 lb
	Yellow	15	199288	2"	70 lb
12"	Black	15	199289	3-1/4"	70 lb
		40	199290	3-1/4"	70 lb
	Yellow	15	199291	3-1/4"	70 lb
18"	Black	10	199292	5"	140 lb
		25	199293	5"	140 lb
	Yellow	10	199294	5"	140 lb
24"	Black	5	199295	7"	140 lb
		20	199296	7"	140 lb
	Yellow	5	199297	7"	140 lb



Low Profile/Hose Cable Ties

- Reduced head height and contour design conforms to the shape of the wire bundle or hose
- Round design and side tail entry creates a round shape optimal for hoses
- Trimmed tail retracts into cavity leaving a clean, low profile installation
- Tamper-proof pawl is inaccessible after installation
- 50 lb tensile strength exceeds industry standards



Length	Color	Unit Qty	Part #	Tensile Strength
8"	Natural	20/bag	199326	50 lb
		100/bag	199327	50 lb
	UVB*	20/bag	199324	50 lb
		100/bag	199325	50 lb
11"	Natural	20/bag	199330	50 lb
		100/bag	199331	50 lb
	UVB*	20/bag	199328	50 lb
		100/bag	199329	50 lb

* UV Resistant



Screw Mounting Bases

- 7/10" x 1/2"

Description	Unit Qty	Part #
#8 screw, natural	25	199231
	100	199232
#10 screw, natural	25	199262
	100	199263



199262

* UV Resistant

Adhesive Lined Mounting Bases

- 1" x 1"

Description	Unit Qty	Part #
Natural	5	199233
	25	199234
UVB*	5	199235
	25	199236

* UV Resistant



199233

199235

Wire Seals

- Made of Nylon 6/6 flame resistant, self extinguishing Buna-N form seal
- All seals exceed NEMA Type 4X and Type 6 specs
- Overlapping clamping spines allow for superior pull-out protection and resistance
- Strain relief fittings are resistant to salt water, acids, alkalis, alcohol, oils and are non-corrosive for use in the marine environment
- Good underwater to 300 feet /91.4 m (150 PSIG) provided there is a liquid tight seal between body and housing
- Provide low cost cable entries into panels and junction boxes
- UL 94 v-0



765000

765010



Description	For Use with	Thread Size	Cable Range	Clearance Hole	Body Length	Thread Length	Qty/Pkg	Part #
Round Cable	18-10 AWG	3/8" NPT	.08"-.24" 2-6 mm	.68"	.87"	.59"	1	764998
Round Cable	10-2 AWG	1/2" NPT	.20"-.47" 5-12 mm	.83"	1.06"	.51"	1	765000
Round or Flat Cable	4-1, 14/3-12/3 & 12/2-10/2 AWG	1/2" NPT	.24"-.55" 6-14 mm	.83"	1.10"	.51"	1	765002
Round Cable	1-3/0 AWG	3/4" NPT	.51"-.71" 13-18 mm	1.05"	1.22"	.51"	1	765004
Round Cable	4/0 AWG	1" NPT	.71"-.98" 18-25 mm	1.35"	1.53"	.75"	1	765006
Flat Cable	14/3-12/3 & 12/2-10/2	1/2" NPT	.31"-.56" 8-14 mm	—	1.10"	.51"	1	765010
Flat Cable	14/3-12/3 & 12/2-10/2	3/4" NPT	.31"-.56" 8-14 mm	—	1.22"	.51"	1	765012

Stainless Steel Cushion Clamps

- Prevents corrosion
- Resistant to oils, acids, salt water
- Temperatures range from -50° to 300°F / -46°C to 149°C
- Absorbs shock and vibration
- Reduces unwanted noise
- 1/4" clearance mounting hole
- 304 stainless steel



Nominal I.D.		Qty/ Pkg	Part #	Band Thickness	Width w/ Cushion	Screw Size	
3/16"	5 mm	10	403182	0.04	3/8"	10 mm	#8 4 mm
1/4"	6 mm	10	403252	0.04	3/8"	10 mm	#8 4 mm
5/16"	8 mm	10	403312	0.04	3/8"	10 mm	#8 4 mm
3/8"	10 mm	10	403372	0.04	3/8"	10 mm	#8 4 mm
1/2"	13 mm	10	403502	0.06	1/2"	13 mm	#10 5 mm
9/16"	14 mm	10	403562	0.06	1/2"	13 mm	#10 5 mm
5/8"	16 mm	10	403622	0.06	1/2"	13 mm	#10 5 mm
3/4"	19 mm	10	403752	0.06	1/2"	13 mm	#10 5 mm
7/8"	22 mm	10	403872	0.06	1/2"	13 mm	#10 5 mm
1"	25 mm	10	403892	0.06	1/2"	13 mm	#10 5 mm
1-1/4"	32 mm	10	403902	0.06	1/2"	13 mm	#10 5 mm
1-1/2"	38 mm	10	404152	0.06	1/2"	13 mm	#10 5 mm
1-3/4"	44 mm	10	404172	0.06	1/2"	13 mm	#10 5 mm
2"	51 mm	10	404202	0.06	1/2"	13 mm	#10 5 mm
2-1/2"	64 mm	10	404252	0.06	1/2"	13 mm	#10 5 mm
3"	76 mm	10	404302	0.06	1/2"	13 mm	#10 5 mm

#8 = 0.167" / #10 = 0.203"

TECH tip

Wire Bundling per ABYC Guidelines

ABYC states: Conductors shall be supported throughout their length or shall be secured at least every 18 inches (455mm) by one of the following methods:

- By means of non-metallic clamps sized to hold the conductors firmly in place. The material shall be resistant to oil, gasoline, and water and shall not break or crack within a temperature range of 30°F / -34°C to 250°F / 121°C
- By means of metal clamps lined with an insulating material resistant to the effects of oil, gasoline, and water

All of Ancor's cable clamps are resistant to oil, gasoline, and water and are rated for use within the ABYC specified range. Stainless steel cushion clamps are designed to perform within a wider temperature range and provide additional shock, vibration and noise protection compared to nylon cable clamps.

Nylon Cable Clamps

- Made from nylon for maximum strength
- Resistant to solvents, oils, acids and moisture
- Unique screw hole alignment feature to speed installation
- Absorbs shock and vibration; reduces unwanted noise



Nominal I.D.		Color	Qty/ Pkg	Part #
1/8"	3 mm	Natural	25	401122
3/16"	5 mm	Natural	25	401182
			6	401251
1/4"	6 mm	Natural	25	401252
			100	401255
		UV Black	25	402252
5/16"	7 mm	Natural	25	401312
		UV Black	25	402312
3/8"	9 mm	Natural	25	401372
		UV Black	100	401375
		UV Black	25	402372
7/16"	11 mm	Natural	25	401432
1/2"	12 mm	Natural	25	401502
		UV Black	25	402502

Nominal I.D.		Color	Qty/ Pkg	Part #
5/8"	15 mm	Natural	25	401622
		UV Black	25	402622
3/4"	19 mm	Natural	25	401752
		UV Black	25	402752
1"	25 mm	Natural	25	401892
		UV Black	25	402892
1-1/4"	32 mm	Natural	25	401912
1-1/2"	38 mm	Natural	25	401932

Kit

Nominal I.D.		Color	Qty/ Pkg	Part #
1/8"-1/2"	3-12 mm	Natural	54	400000

Cable Wraptor®

Simple Design. Endless Solutions.

- "T" handle feature allows for easy carrying of ropes, shore power cords and extension cords
- Large hang hole is perfect for storage
- Stainless steel hinge and spring to prevent rusting
- Large teeth for secure locking system
- Easy release trigger
- Cable tie looping hole for permanent attachment
- Spring-loaded hinge helps close tail



Register Packs

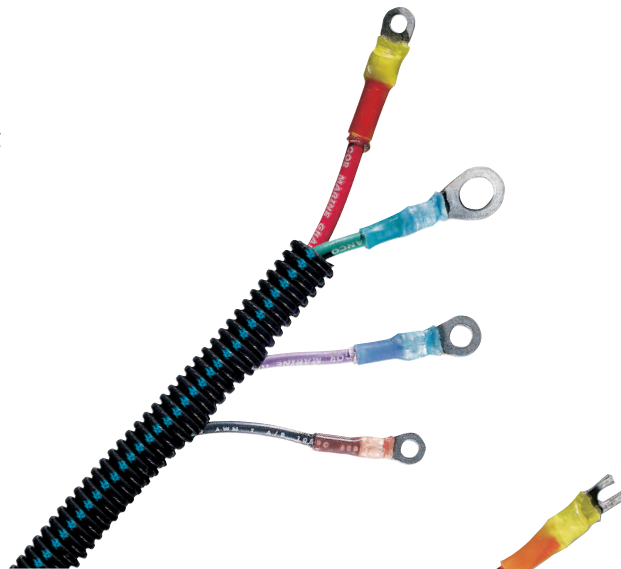
Size	Bundle Dia	Holds Up To	Qty/ Pkg	Part #
Small	1-1/8" (28.6 mm)	25 lbs	50	CW-T1RR50
Medium	2" (50.8 mm)	50 lbs	25	CW-T2RR25
Large	3" (76.2 mm)	100 lbs	25	CW-T3RR25
X-Large	4" (101.6 mm)	150 lbs	20	CW-T4RR20

Split Loom & Spiral Wrap

- Permits flexible routing of cable harnesses
- Provides abrasion protection for wire and cable
- Allows lead outs at any point for greatest ease of installation
- Split loom temperature range is -40°F to 275°F / -40°C to 135°C

Self-extinguishing Split Loom

Diameter	Ft/Pkg	Part #	
3/8"	10 mm	10'	453382
		100'	453386
1/2"	13 mm	10'	453502
		100'	453506
3/4"	19 mm	10'	453752
		100'	453756
1"	25 mm	5'	453901
		100'	453906



Marine Grade® Spiral Wrap

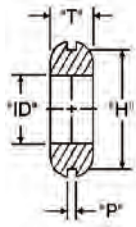
Diameter	Ft/Pkg	Part #	Bundle Range	
			Min	Max
1/4"	6 mm	10'	3/16"	2"
			4.8 mm	5 cm
3/8"	10 mm	10'	5/16"	3"
		100'	8 mm	7.6 cm
1/2"	13 mm	10'	25/64"	4"
		100'	10 mm	10.2 cm
3/4"	19 mm	10'	3/4"	5"
		100'	19 mm	12.7 cm
1"	25 mm	5'	1"	7"
		100'	25 mm	17.8 cm





Grommets

- Provide instant abrasion resistance to wires passing through panel holes
- Flexible black vinyl makes installation simple



Hole Size	Inside Diameter		Panel Width		Qty/ Pkg	Part #
3/8"	10 mm	1/4"	6 mm	3/32"	2 mm	5 760375
1/2"	13 mm	3/8"	10 mm	1/16"	2 mm	5 760500
1/4-3/4" Assortment Combo Pack (10 each of 1/4", 5/16", and 3/8", 5 each of 1/2", 11/16", and 3/4")					45	750000

TECH tip™

Wire Bundling per ABYC Guidelines

ABYC states: "Conductors that may be exposed to physical damage shall be protected by loom, conduit, tape, raceways, or other equivalent protection. When AC and DC conductors are run together, the AC conductors shall be sheathed, bundled, or otherwise kept separate from the DC conductors. Loom used to cover conductors shall be self-extinguishing. The base product (or resin) shall be classified as V-2 or better, in accordance with UL 94, Tests For Flammability Of Plastic Materials."

Wire Management Kits



600 Piece Nylon Insulated Connector Kit

- (150) assorted 22-10 AWG butt connectors
- (300) assorted 22-10 AWG ring terminals
- (25) 16-14 AWG fully insulated male and female disconnects
- (25) 16-14 AWG, #8 and #10 flanged spade connectors
- (25) 16-14 AWG female disconnects
- (25) 12-10 AWG fully insulated female disconnects

Part # **250001**



257 Piece Heat Shrink Connector Kit w/ Crimper & Mini Torch

- (110) assorted 22-10 AWG heat shrink butt connectors
- (145) assorted 16-10 AWG ring terminals
- (1) single crimp ratchet tool
- (1) mini butane pocket torch

Part # **320001**



100 Piece Tinned Copper Lug Kit w/ Crimper

- (10) #8 5/16" & 3/8" tinned lug
- (10) #6 5/16" & 3/8" tinned lug
- (10) #4 5/16" & 3/8" tinned lug
- (10) #2 5/16" & 3/8" tinned lug
- (5) 1/0 5/16" & 3/8" tinned lug
- (5) 2/0 5/16" & 3/8" tinned lug
- (1) heavy-duty lug crimper

Part # **255001**



Promotional Kit Cabinet

Part # **P33307**



160 Piece Heat Shrink Connectors and Terminals Kit NEW

Butt Connectors

- (10) 22-18 AWG, (20) 16-14 AWG, (10) 12-10 AWG

Ring Terminals

- (15) 22-18 AWG #10, (15) 16-14 AWG #8, (15) 16-14 AWG #10, (15) 16-14 AWG 1/4", (10) 12-10 AWG #10, (10) 12-10 AWG 1/4", (10) 12-10 AWG 3/8"

Disconnects

- (20) 16-14 AWG female, (10) 16-14 AWG male

Part # 320101



440 Piece Nylon Connectors and Terminals Kit NEW

Butt Connectors

- (40) 22-18 AWG, (75) 16-14 AWG, (40) 12-10 AWG

Ring Terminals

- (25) 22-18 AWG #8, (25) 16-14 AWG #8, (50) 16-14 AWG #10, (25) 12-10 AWG #8, (25) 12-10 AWG #10

Disconnects

- (50) 16-14 AWG fully insulated female, (30) 16-14 AWG fully insulated male, (25) 16-14 AWG female, (30) 16-14 AWG male

Part # 250101



100 Piece Tinned Copper Lug Kit NEW

- (10) 8 AWG, 5/16", (10) 8 AWG, 3/8"
- (10) 6 AWG, 5/16", (10) 6 AWG, 3/8"
- (10) 4 AWG, 5/16", (10) 4 AWG, 3/8"
- (10) 2 AWG, 5/16", (10) 2 AWG, 3/8"
- (5) 1/0 AWG, 5/16", (5) 1/0 AWG, 3/8"
- (5) 2/0 AWG, 5/16", (5) 2/0 AWG, 3/8"

Part # 255101



47 Piece Adhesive Lined Heat Shrink Tubing Kit NEW

Black

- (10) 3/16" x 6"
- (10) 1/4" x 6"
- (10) 3/8" x 6"
- (5) 1/2" x 6"
- (3) 3/4" x 3"
- (3) 1" x 3"

Red

- (3) 3/4" x 3"
- (3) 1" x 3"

Part # 330101



Promotional Storage Rack NEW

Part # P33407

Individual Empty Trays

Part # P33406 6 compartment

Part # P33412 12 compartment

TOOLS & TESTERS

Cut/Strip/Crimp Tools

50



Ancor offers a broad range of wire management and termination tools for all of your wiring projects.

Heat Tools

52



Ancor offers a range of heat tools, including the new dual setting heat gun, that are perfect for multiple projects from heat shrink tubing to paint stripping.

Other Tools

53



Ancor offers other speciality tools to provide users with everything needed for any project.

Tool Kits

53



Pre assembled kits provide the tools and materials you need for wiring projects.

TOOLS & TESTERS

Continuity Testers

54



Heavy duty voltage and continuity tester is designed for a variety of electrical applications. It tests voltage from 80-480V AC/DC, and the snap-in leads are spaced to fit standard outlet for hands-free operation.

Wire Tracer

55



A must-have tester for boaters and marine technicians. Multi-purpose wire tracer for identifying wires such as coax, CAT 5, speaker, phone, or any non-energized (non-live) wires.

Snap-Around Meters

56



400 amp non-contact AC/DC current reading. Data hold capability to maintain reading on display.

Multimeters

57



A broad range of multimeters to suit any electrical testing requirements.



Every vessel requires quality tools and testing devices to ensure quick projects and larger refits can be accomplished accurately and to ABYC standards.



Wire & Cable Cutter

- Steel forged blades easily cut 22 AWG to 2/0 AWG copper wire and cable
- Contoured cushion grips for comfort and ease of use
- Length: 9.25" (23.5 cm)
- Weight: 1.1 lb (0.5 kg)

Part # 703005



Heavy Duty Wire & Cable Cutter

- Steel forged blades easily cut up to 350MCM (2 sizes larger than 4/0 AWG) copper wire and cable
- Strong fiberglass handles with thermoplastic rubber grips for comfort and slip resistance
- Length: 17.5" (44.4 cm)
- Weight: 2.9 lb (1.3 kg)

Part # 703006



Cut/Strip/Crimp Tool

- Precision ground cutters and stripping station, wide crimp range of insulated and non-insulated terminals
- "Box" crimp works with Ancor double crimp terminals, marking is embossed and paint filled
- Capacity: Crimps 22 AWG to 10 AWG / 0.3 to 5 mm² insulated and non-insulated terminals, connectors and spark plug terminals in special cavities
- Strips insulation from 22 AWG to 10 AWG / 0.3 to 5 mm² solid and stranded wires
- Cuts (4) 40/2 mm, (6) 32/4 mm, (8) 32/4.8 mm, (10) 32/6.4 mm and 10-24/6.4 mm bolts

Part # 701007



Wire Strip Crimp Tool

- Strips 26 AWG to 10 AWG stranded wire
- Automatic jaw-load wire stripper self-adjusts to strip wire
- Crimps 22 AWG to 10 AWG insulated terminals

Part # 702033



Stainless Steel Cut/Strip/Crimp Tool

- Crimp 10 to 22 AWG insulated and non-insulated terminals and coaxial connectors
- Cut and strip 22 AWG to 8 AWG solid and 24 AWG to 10 AWG stranded wire
- Cut and rethread 4-40, 5-40, 6-32, 8-32, 10-24, 10-32 screws
- Stainless steel blade resists corrosion and nicking
- Precision ground plier nose

Part # 701009



Automatic Wire Stripper

- Made of reinforced polyimide
- Automatically adjusts to different wire sizes
- Strips without damage or marking of conductors, slim jaw for easy access, steel side cutter
- Strips and cuts wire from 24 AWG to 12 AWG / 0.2 to 3 mm²
- Wire stop adjusts length of strip from 3/8" to 1/2" (9.5 to 12.7 mm)

Part # 702030

TECH tip™

Tool Selection per ABYC Guidelines

ABYC recommends that the tool used to crimp connectors be manufactured by the same brand as the connectors themselves. The reason behind this is that the barrel and insulation thickness varies by connector manufacturer. Therefore having a crimping tool designed for specific connectors ensures a secure and safe crimp.

Battery Cable Stripper

- Adjustable blade height for removing insulation on 8 AWG to 4/0 AWG cable
- Swivel blade for circular and longitudinal cuts
- Blade housing combined with an ultra-sharp blade greatly reduces friction for smoother stripping

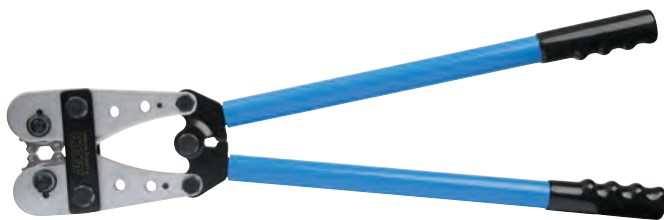
Part # 703065



Premium Battery Cable Stripper

- Punctures the cable's insulation, breaks the insulation free and pulls the cut insulation from the wire in one efficient motion
- Strips 8 AWG through 400 MCM cable
- Heavy duty construction

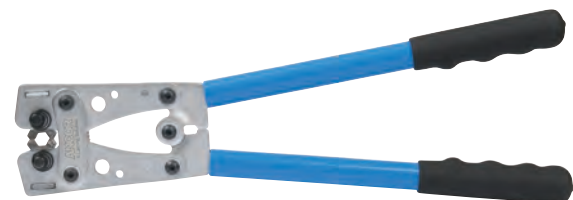
Part # 703075



8 to 4/0 AWG Heavy-duty Hex Lug & Terminal Crimper

- Uses revolving dies to create a hex style crimp for 8 AWG to 4/0 AWG
- Length: 24.4" (62 cm)

Part # 703040



8 to 1/0 AWG Hex Lug & Terminal Crimper

- Uses revolving dies to create a hex style crimp for 8 AWG to 1/0 AWG
- For portable use
- Length: 15.4" (39 cm)

Part # 703050



22 to 8 AWG Single Crimp Ratcheting Crimper

- Ideal for crimping heat shrink terminals
- Can also be used with vinyl and nylon insulated terminals and connectors
- Must be fully closed before tool allows itself to open ensuring a proper crimp
- Includes lever to release jaws mid-cycle in the event of an incorrectly placed terminal
- Ratcheting operation with ergonomic handle to prevent hand fatigue
- 4 color-coded cavities for different wire sizes
- Length: 10.25" (26 cm)

Part # 703010



26 to 10 AWG Double Crimp Ratcheting Crimper

- Ideal for crimping nylon and vinyl terminals
- Double crimp mechanism crimps stranding and insulation portion of Ancor connectors in one motion for superior strain relief of vinyl and nylon terminals
- Must be fully closed before tool allows itself to open ensuring a proper crimp
- Includes lever to release jaws mid-cycle in the event of an incorrectly placed terminal
- Ratcheting operation with ergonomic handle to prevent hand fatigue
- 4 color-coded cavities for different wire sizes
- Length: 10.25" (26 cm)

Part # 703030

120V Two Setting Heat Gun

- Two settings—Low: 572°F / 300°C, 10 CFM / 17 CMH and High: 1,000°F / 538°C, 17 CFM / 29 CMH (Cubic Meters per Hour)
- 6.5' cord, 120V AC
- Great for heat shrink tubing and connectors, stripping paint and more
- Lightweight, under two pounds
- Stands on end for hands free operation
- Includes three nozzles and carrying case

Part # 703023

Three nozzles for a variety of applications



Carrying case included



Stands on end for hands free operation



Mini Pocket Butane Torch

- Piezo electronic ignition system
- Flame temperature up to 2500°F / 1300°C
- Windproof and waterproof flame
- Pocket size allows the unit to fit easily into any tool kit
- Powered by disposable cigarette lighter or refillable butane fuel cell (included)

Part # 703024



Turbo Lite

- Piezo electronic ignition system
- Flame temperature up to 2500°F / 1300°C
- Windproof and waterproof flame
- Pocket size allows the unit to fit easily into any tool kit
- Up to 25 minutes of run time on each filling
- Refillable

Part # 703064



Pro Torch

- Up to 90 minutes of run time on each filling
- Flame temperature up to 2500°F / 1300°C
- Adjustable flame control
- Compact size with ergonomic grip
- Includes removable solder tip and removable base for added flexibility
- Refillable

Part # 703060



Micro Therm Heat Gun

- Features Piezo electronic ignition system, providing flame less heat, safe to use around chemicals or by wire bundles when using deflector
- Powered by refillable cell
- Flame temperature up to 1300°F / 650°C
- Ideal for work in the bilge where open flame should not be used
- Refillable

Part # 702027



Mini Fish Tape **NEW**

- Durable, high-impact housing
- Low-memory 15 ft tape does not curl during extension—perfect for non-conduit situations
- Compact, rugged design can be stored in tool belt or box
- Feed under carpet, behind walls or through panels
- Perfect for short runs, installing speakers, instrument clusters or other common electrical uses

Part # 703112



Battery Terminal Cleaner

- High impact construction
- Wide, easy grip
- Excellent for hard-to-reach batteries

Part # 700103



Dielectric Silicone Compound

- Fights oxidation to improve conductivity
- Penetrates aluminum oxide to maintain current paths
- Temperature rated at 40° to 500°F / 4°C to 260°C
- 1/3 oz tube

Part # 700115



Premium Connector Kits

- Nylon insulated with insulation grip
- Double crimp, funnel entry
- All kits include assorted butt connectors, ring terminals, spade terminals, and disconnects (18-10 AWG)

Description	Part #
31 pcs with crimp tool	220002
121 pcs with crimp tool	220004
120 pcs	220003



225 Piece Twin Kit Electrical Repair Kit with Strip/Crimp Tool

- 55 pcs assorted butt connectors
- 95 pcs assorted ring terminals
- 35 pcs assorted disconnects
- 35 pcs assorted nylon cable ties
- Assorted, 10' spools of UL 1426 boat cable
- 5 pcs (3" x 3/8") 3:1 shrink ratio, colored heat shrink tubing
- Case opens both sides

Part # 220020



Heavy-Duty, Voltage-Continuity Tester

Heavy-duty voltage and continuity tester designed for any number of electrical applications.

- Tests voltage from 80–480V AC/DC (4-range indication)
- Dual function voltage and continuity tester
- Snap-in leads are spaced to fit standard outlet for “hands-free” operation
- Sta-Flex™ 36" cold weather leads
- 4 Hi-Vis™ indicators
- Integrated probe storage
- Requires two LR44 batteries, not included

AC Voltage	80–480V
DC Voltage	80–480V
Frequency	60Hz
Polarity	✓
Continuity	✓
CAT Rating	III 600V

**LIFETIME
WARRANTY**



ET6207



Heavy Duty Continuity Tester

Test for breaks in non-energized wires or electrical cords.

- Bright 360° visual indication
- Durable, heavy duty tip
- 36" flexible leads with insulated alligator clip
- Pocket Clip
- Over-molded rubber grips
- Operates from (2) AAA batteries, included

Pocket Clip	✓
Visual Indication	✓

**LIFETIME
WARRANTY**

CT6101



DualCheck™ Non-contact Voltage Tester & GFCI Outlet Analyzer

2-in-1 product combines the most popular testers.

- Non contact voltage detection
- Tests for 7 common wiring conditions
- Hi-Vis™ 360° LED indication
- Loud beeping audible indication
- Hi-impact ABS housing with over-molded grips
- Exclusive 1 LED Readout. No charts, instant results
- GFCI function tests GFCI and standard outlets wired in series with GFCI outlets (e.g. multiple outlets in kitchen or bath)
- Over-molded rubber grips

Non-contact AC Voltage	50-600V
Frequency	50-60Hz
Audible	✓

LIFETIME WARRANTY   **PATENTED**

VD7504GFI



Wire Tracker™ Wire Tracer

A must-have tester for avid boaters and marine technicians.

- Multi-purpose wire tracer for identifying wires such as coax, CAT 5, speaker, phone, or any non-energized (non-live) wires
- Adapter plugs include: RJ-45, RJ-11, coax, automotive fuse blade, and insulated clamps
- Adjustable sensitivity positively identifies a single wire when multiple wires are routed in close proximity
- Audible and visual indication
- Transmitter requires two AAA batteries and receiver requires four LR44 batteries, not included
- Auto off function included with transmitter to save battery life

Audible	✓
Visual	✓
Receiver Storage	✓
Belt Clip	✓
Tracer	✓

LIFETIME WARRANTY **PATENTED**

ET64220



6 Function Digital Snap-Around

- 400 amp non-contact AC/DC current reading
- Data hold capability to maintain reading on display
- Auto power off functionality to save battery life
- Compact lightweight design
- Includes convenient carrying case
- Requires two AAA batteries, not included

Specifications	Range	Accuracy	Resolution	Overload Protection
DC Voltage	400/600V	1.5%	100mV	720VAC/DC
AC Voltage	400/600V	2%	100mV	720VAC/DC
DC Current	40/400	3%±8dgt (0–40A) 4%±6dgt (40–400A)	10mA	480A
AC Current	40–400	3%±8dgt (0–40A) 4%±6dgt (40–400A)	10mA	480A
Resistance	400/4000Ω	2%	100mΩ	300VAC/DC
Cont Buzzer	0–600 Ohms	Buzzer Sounds @ 100 Ohms or less		
CAT Rating	II 600, III 300V AC	—	—	—



DSA540A



Includes Carrying Case

True RMS 10 Function Digital Snap-Around

- Precise True RMS circuitry—Required for accurate measurement of inverter output
- 1000 Amp non-contact current reading
- Integrated non-contact voltage detection
- Min/Max function to hold either minimum reading or maximum reading on the display
- Data hold capability to maintain reading on display
- Backlit display for low light applications
- Peak hold function to display in-rush current
- Capacitance and temperature measurement functionality
- Auto power off functionality to save battery life
- Includes convenient carrying case
- Requires two AAA batteries, not included

Specifications	Range	Accuracy	Resolution	Overload Protection
DC Voltage	600mV/6/60/600V	1% ±3dgt	100μV	720V AC/DC
AC Voltage	6/60/600V	1.5% ± 4dgt	1mV	720V AC/DC
DC Current	600/1000A	±1.5%rdg ± 5dgt	100mA	1200A AC/DC
AC Current	600/1000A	2%±5dgt	100mA	1200A AC/DC
Resistance	600/6K/60K/600K/6M/60MΩ	1% ±5dgt (600–6MΩ) 5% ±8dgt (6M–60M)	100mΩ	600V AC/DC
Frequency	10/100/1000/10K	0.5%±5dgt	—	—
Diode Test	✓	—	—	—
Cont Buzzer	0–600 Ohms	Buzzer Sounds @ 100 Ohms or less		
Capacitance	40nF–4000μF	2.5%±20dgt (400nF–40μF) NA (40nF, 40μF–4000μF)		
Temperature	50° to 700°C/ 58° to 1292°F	°C ±5° / °F±9°		
CAT Rating	IV 600	—	—	—



DSA1020TRMS



Includes Carrying Case

5 Function Analog Multimeter

- Manual range
- Compact, lightweight design
- AC/DC voltage
- DC Current
- Accurate needle deflection
- Requires one AA battery, not included

Specifications	Range	Accuracy
DC Voltage:	0-10/50/150/300V	4.0%
AC Voltage:	0-10/50/150/300V	5.0%
DC Current:	0-0.5/50/150 mA	4.0%
Resistance:	0-1MΩ	4.0%
Decibels:	✓	-20dB to +56dB
CAT Rating:	II 300V	-



HSP5



7 Function Digital Multimeter

- Auto ranging capability allows the meter to automatically determine the resolution based on the application
- Compact, lightweight design
- AC/DC voltage capable with temperature measurement functionality
- Impact resistant housing with protective rubber overmold
- Requires two AAA batteries, not included

Specifications	Range	Accuracy
DC Voltage	200mV, 2V, 20V, 200V, 600V	200mV & 600V (1.0%+5dgt) 2V 20V 200V (0.5%+5dgt)
AC Voltage	200mV, 2V, 20V, 200V, 500V	500V (1.5%+5dgt) 2V 30V 200V (0.8%+5dgt)
Resistance	200, 2K, 200k, 2M, 20M	200Ω 20M (1.5%+2dgt) 2K 20K 200K 2M (1.0%+2dgt)
Battery Testing	1.5V (2V)	-
Temperature	-40° F-752 ° F	8%+5dgt
Diode Test	✓	-
Continuity	✓	-
CAT Rating	III 600V	-



DM6250



9 Function Digital Multimeter

- Test Lead Input Icons for correct lead placement
- Industry leading LCD display size
- Relative Delta displays change in readings
- Low Impedance Function to trace ghost voltage
- Impact resistant housing with protective rubber boot
- Requires one 9 volt battery, not included

Specifications	Range	Accuracy
DC Voltage	400mV, 4V, 40V, 400V, 1000V	400mV (0.8%+3dgt) 4V 40V 400V (0.8%+1dgt) 1000V (1.0%+3dgt)
AC Voltage	4V, 40V, 400V, 750V	4V 40V 400V (1.0%+ 5dgt) 750V (1.2%+5dgt)
DC Amps	400µA, 4000µA, 40mA, 400mA, 4A, 10A	400µA 4000µA (1.0%+2dgt) 40mA 400mA (1.2%+3dgt) 4A 10A (1.5%+5dgt)
AC Amps	400µA, 4000µA, 40mA, 400mA, 4A, 10A	400µA 4000µA (1.2%+2dgt) 40mA 400mA (1.5%+3dgt) 4A 10A ±(2.0%+3dgt)
Frequency	10Hz-10MHz	0.1% +3dgt
Capacitance	40nF, 400nF, 4µF, 40µF, 100µF	40nF (3%+10dgt) 400nF, 4µF, 40µF (3%+5dgt) 100µF (4%+5dgt)
Resistance	400, 4K, 40K, 400k, 4M, 40M	400Ω 4M (1.2%+2dgt) 4K 40K 400K (1.0%+2dgt) 4M (1.5%+2dgt)
Diode Test	✓	-
Continuity	✓	-
CAT Rating	III 600V, II 1000V	-

DM6450



5 YEAR WARRANTY



Temp Check™ Pocket Style Infrared Thermometer

- 6:1 distance to spot ratio
- Toggle between Celsius and Fahrenheit
- Laser sighting for accurate results
- Min/Max function to hold either minimum reading or maximum reading on the display min/max mode
- Auto power off
- Wrist lanyard for increased handling

IRT100	Range
Temperature Range	(-31 to 689°F) -35 to 365°C
Emissivity	Fixed
Laser Sighting	✓
Lock Mode	✓
Low Battery Indicator	✓
Backlit Display	—
Auto Off	✓

1 YEAR WARRANTY



IRT100

Temp Check™ Gun Style Infrared Thermometer

- 8:1 Distance to spot ratio
- Laser sighting for accurate results
- Backlit display for low light applications
- Min/Max function to hold either minimum reading or maximum reading on the display in Max mode
- Auto power off

IRT200	Range
Temperature Range	(-67 to 482°F) -55 to 250°C
Emissivity	Fixed
Laser Sighting	✓
Lock Mode	—
Low Battery Indicator	✓
Backlit Display	✓
Auto Off	✓

1 YEAR WARRANTY



IRT200



Non-contact Temperature Measurement

Safety is the number one priority on any job site. Any test unit that can be used to measure or review an application without coming in contact with a live conductor is a necessity. The IR Thermometers allow for critical temperature measurements to be taken without having to touch an energized circuit. The D:S ratio, or distance to spot ratio, is a rating used state the distance, in feet, that the test unit should be from the target in order to measure a one foot diameter section. In other words, a 6:1 D:S Ratio means that from six feet away, the test unit is measuring a one foot diameter section of the target.

LIGHTING

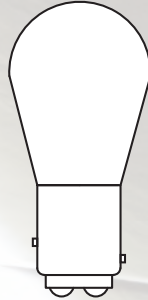
Bayonet Base Bulbs

62



Index Base Bulbs

64



Wedge Base Bulbs

65



Miniature Halogen Bulbs

65



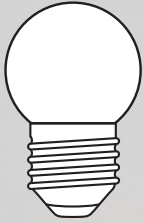
Marine grade bulbs and lamps are available for a variety of applications. Each light bulb is constructed with a heavy duty glass envelope to resist breakage, a nickel-plated brass base to prevent corrosion and has been tested to ensure durability and dependability.



LIGHTING

Medium Screw Base
Bulbs

66



Fluorescent Tubes

66



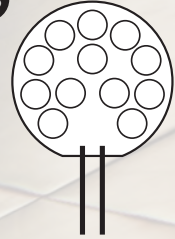
Festoon Bulbs

67



Pin Style Bulbs

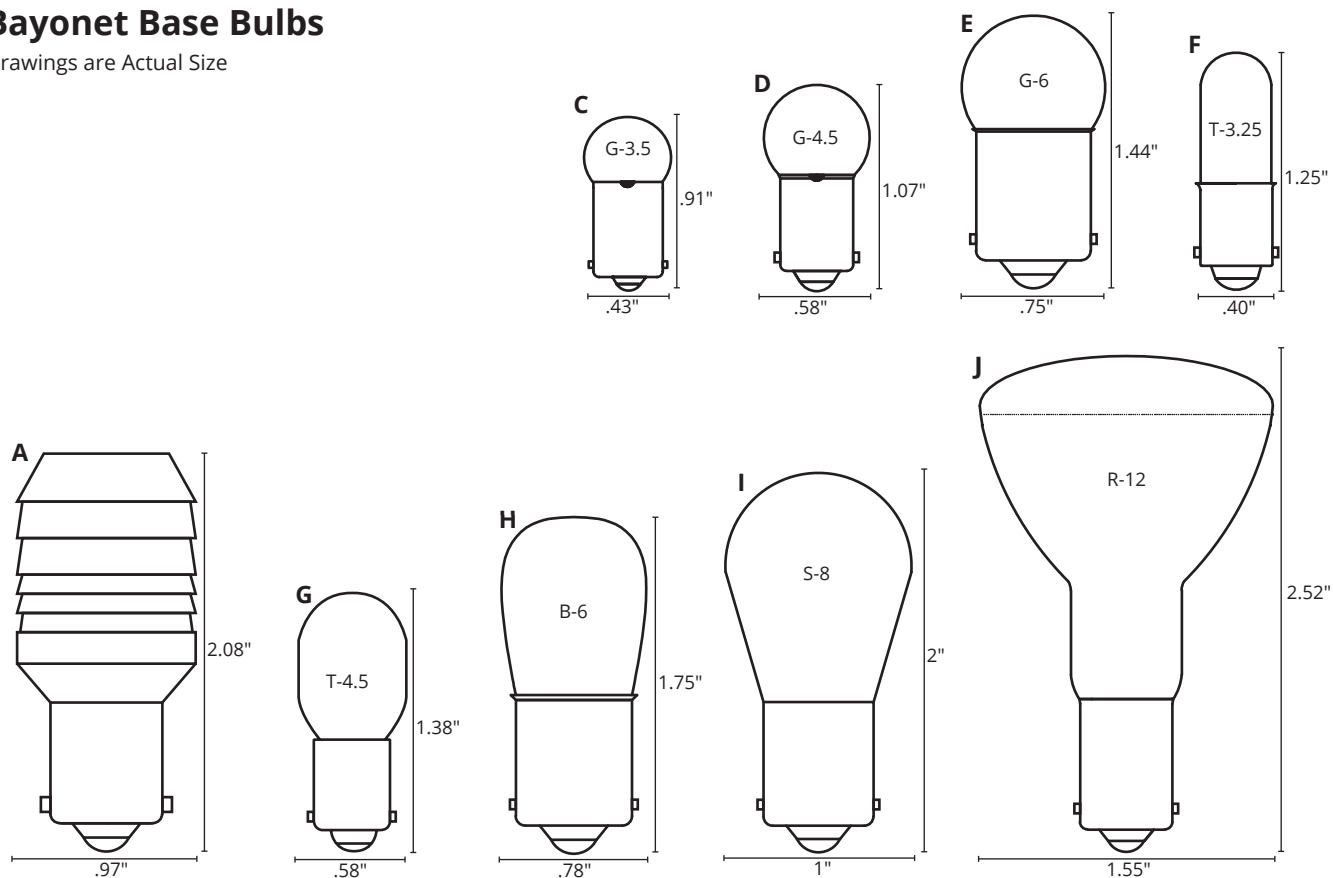
68



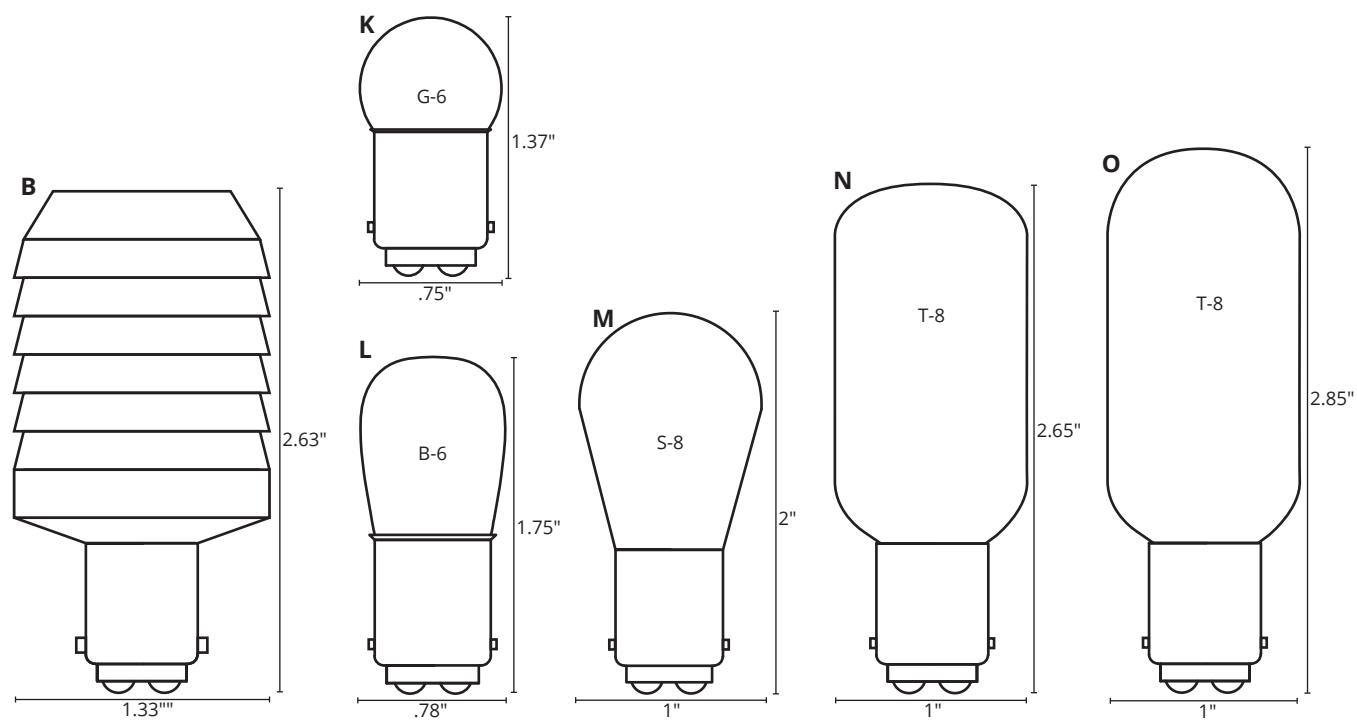
Proper lighting is necessary for safety and operational activities aboard vessels and creates a soothing and functional atmosphere.

Bayonet Base Bulbs

Drawings are Actual Size



Single Contact Bayonet



Double Contact Bayonet

LED Bayonet Base Bulbs

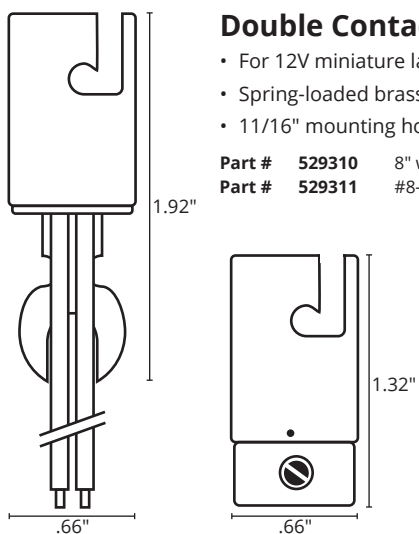
Figure Letter	Trade #	Contact	System Volts	Current Draw	CP	Life	Qty/Pkg	Dimensions	Part #
A		Single	12	160 mA	2200MCD*16	50,000	1	.97" x 2.08"	529414
B		Double	12	200 mA	2200MCD*20	50,000	1	1.33" x 2.63"	529412
		Double	12	240 mA	2200MCD*36	50,000	1	1.33" x 2.63"	529413

Note: LED bulbs are not rated for navigation.

Bayonet Base Bulbs

Figure Letter	Trade #	Contact	System Volts	Design Volts	Design Amps	Design Watts	CP	Life	Qty/Pkg	Dimensions	Part #
C	53	Single	12	14.40	.12	1.70	1.00	1,000	2	.43" x .91"	520053
		Single	12	14.00	.35	5.00	3.0	1,000	2	.43" x .91"	521126
D	57	Single	12	14.00	.24	3.40	2.00	500	2	.58" x 1.07"	520057
	57	Single	12	14.00	.24	3.80	2.00	500	2	.58" x 1.07"	521895
E	97	Single	12	13.50	.69	9.30	4.00	5,000	2	.75" x 1.44"	520097
	67	Single	12	13.50	.59	8.00	4.00	5,000	2	.75" x 1.44"	520067
F	1816	Single	12	13.00	.33	4.30	3.00	1,000	2	.40" x 1.25"	521816
G	1416	Single	12	12.80	.80	10.20	8.00	1,000	2	.59" x 1.38"	521416
		Single	12	13.50	2.08	25.00	30.00	1,000	1	.59" x 1.38"	521159
H	1003	Single	12	12.80	.94	12.00	15.00	200	2	.78" x 1.75"	521003
I	1141	Single	12	12.80	1.44	18.40	21.00	500	2	1" x 2"	521141
	1156	Single	12	12.80	2.10	26.90	32.00	1,200	2	1" x 2"	521156
J	1383	Single	12	13.00	1.54	20.00	300	700	1	1.55" x 2.52"	521383
	93	Single	12	12.80	1.04	13.30	15.00	700	2	1.55" x 2.52"	520093
K	82	Double	6	6.50	1.02	6.60	6.00	500	2	.75" x 1.37"	520082
	68	Double	12	13.50	.59	8.00	4.00	5,000	2	.75" x 1.37"	520068
	90	Double	12	13.00	.58	7.50	6.00	750	2	.75" x 1.37"	520090
	1224	Double	32	34.00	.16	5.10	3.80	500	2	.75" x 1.37"	521224
L	1004	Double	12	12.80	.94	12.00	15.00	200	2	.78" x 1.75"	521004
	94	Double	12	12.80	1.04	13.30	15.00	700	2	1" x 2"	520094
	1076	Double	12	12.80	1.80	23.00	32.00	200	2	1" x 2"	521076
M	1142	Double	12	12.80	1.44	18.40	21.00	1,000	2	1" x 2"	521142
	1142R	Double	12	12.80	1.44	18.40	21.00	1,000	2	1" x 2"	521140*
	1176	Double	12	12.8/14	1.34/.39	17.20	21/6	300/1,500	2	1" x 2"	521176
	1204	Double	24	28.00	.71	19.90	21.00	400	2	1" x 2"	521204
N		Double	12	2.50	30.00	26.00	1200	2,500	1	1" x 2.65"	529300
O		Double	120	120.00	.25	30.00	20.00	2,500	1	1" x 2.85"	521164

*Red



Double Contact Bayonet Bulb Sockets **NEW**

- For 12V miniature lamps with Bayonet bases
- Spring-loaded brass contacts
- 11/16" mounting hole

Part # 529310 8" wire leads
 Part # 529311 #8-32 screws

TECH tip™

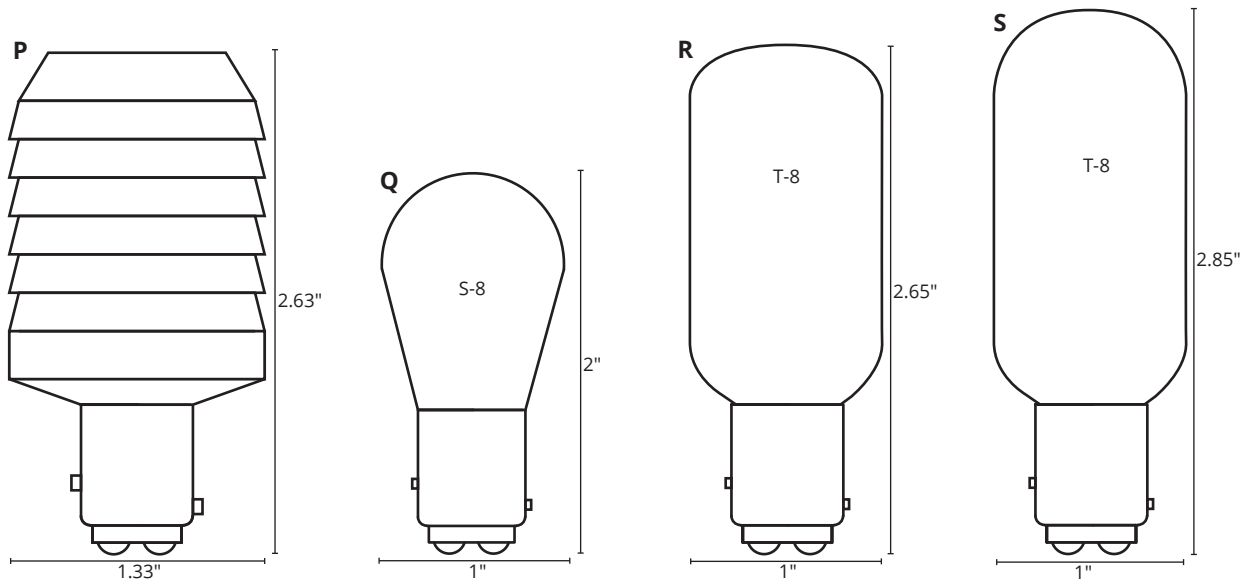
Using the Ancor Bulb Section Guide

Identifying the correct replacement bulb is easy using the Ancor bulb selection guide.

1. Identify the base and locate the corresponding section of the catalog.
2. Using the full scale line drawings, identify the corresponding figure letter.
3. Find the figure letter in the corresponding table and select the bulb based on the additional attributes.

Index Base Bulbs

Drawings are Actual Size



LED Index Base Bulbs

Figure Letter	Trade #	Contact	System Volts	Current Draw	CP	Life	Qty/Pkg	Dimensions	Part #
P		Double	10-30	190 mA	75 Lumens	50,000	1	1.33" x 2.63"	529416
		Double	10-30	180 mA	110 Lumens	50,000	1	1.33" x 2.63"	529420

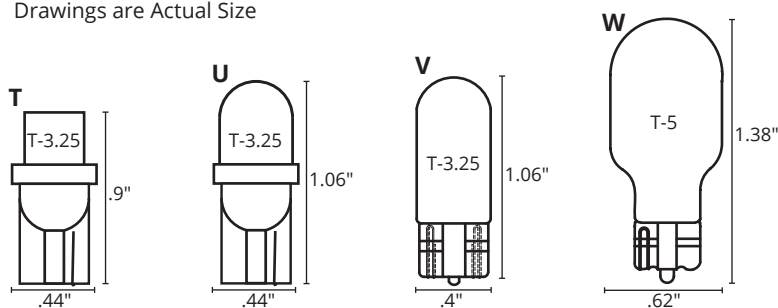
Note: LED bulbs are not rated for navigation.

Index Base Bulbs

Figure Letter	Trade #	Contact	System Volts	Design Volts	Design Amps	Design Watts	CP	Life	Qty/Pkg	Dimensions	Part #
Q	1034	Double	12	12.8	1.8	23/8.2	32/3	200/5,000	2	1" x 2"	521034
	1157	Double	12	12.8/14	2.1/59	27/8	32/3	200/5,000	2	1" x 2"	521157
R		Double	12	12.00	2.08	25.00	24.00	1,200	1	1" x 2.65"	529340
		Double	12	13.50	.83	10.00	12.00	1,000	1	1" x 2.65"	521158
		Double	24	24.00	1.04	25.00	24.00	1,200	1	1" x 2.65"	529341
		Double	24	24.00	.42	10.00	12.00	1,200	1	1" x 2.65"	529344
		Double	120V	120.00	.21	2.50	20.00	1,200	1	1" x 2.65"	529348
S		Double	24	24.00	.41	10.00	12.00	1,200	1	1" x 2.85"	521162

Wedge Base Bulbs

Drawings are Actual Size



LED Wedge Base Bulbs

Figure Letter	Trade #	System Volts	Current Draw	CP	Life	Qty/Pkg	Dimensions	Part #
T		12	20 mA	4000MCD	50,000	1	.44" x .9"	529410
U		12	40 mA	6000MCD	50,000	1	.44" x 1.06"	529411

Note: LED bulbs are not rated for navigation.

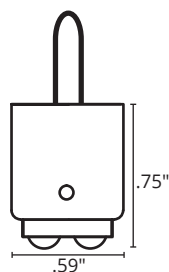
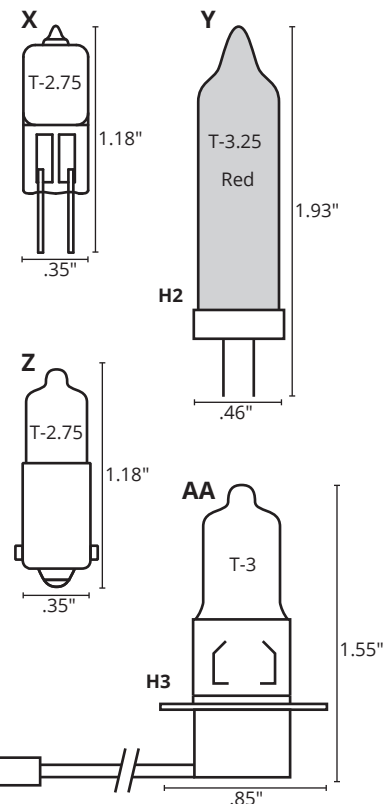
Wedge Base Bulbs

Figure Letter	Trade #	System Volts	Design Volts	Design Amps	Design Watts	CP	Life	Qty/Pkg	Dimensions	Part #
V	194	12	14.00	.27	3.80	2.00	1,500	2	.4" x 1.06"	520194
	168	12	14.00	.35	4.90	3.00	1,500	2	.4" x 1.06"	520168
		12	12.80	1.0	12.80	12.00	1,000	2	.4" x 1.06"	520912
W	906	12	13.00	.69	9.00	6.00	1,000	2	.62" x 1.38"	520906

Miniature Halogen Bulbs

Drawings are Actual Size

Figure Letter	System Volts	Design Volts	Design Amps	Design Watts	CP	Life	Qty/Pkg	Dimensions	Part #
X	12	12.00	.42	5	5.00	2,000	2	.35" x 1.18"	529361
	12	12.00	.83	10	11.00	2,000	1	.35" x 1.18"	529362
	12	12.00	1.67	20	20.00	2,000	1	.35" x 1.18"	529367
	24	24.00	.42	10	11.00	2,000	1	.35" x 1.18"	529338
	24	24.00	.83	20	20.00	2,000	1	.35" x 1.18"	529368
	12	12.00	.83	10	11.00	1,000	2	.35" x 1.18"	529370
Y	12	12.00	1.67	20	20.00	1,000	2	.35" x 1.18"	529371
	12	12.00	.83	10	11.00	2,000	2	.46" x 1.93"	529385
Z	12	12.00	1.67	20	20.00	2,000	1	.35" x 1.18"	529337
	12	12.00	.42	5	5.00	2,000	1	.35" x 1.18"	529355
AA	12	13.50	4.58	55	225.00	320	1	.85" x 1.55"	529168
	12	13.50	8.30	100	100.00	100	1	.85" x 1.55"	529386



Halogen Bulb Adapter Base

The nickel-plated brass base Halogen Bulb Adapter allows the use of all V style miniature halogen bulbs in standard single contact, double contact or medium screw base sockets.

529381



Medium Screw Base Bulbs

Drawings are Actual Size

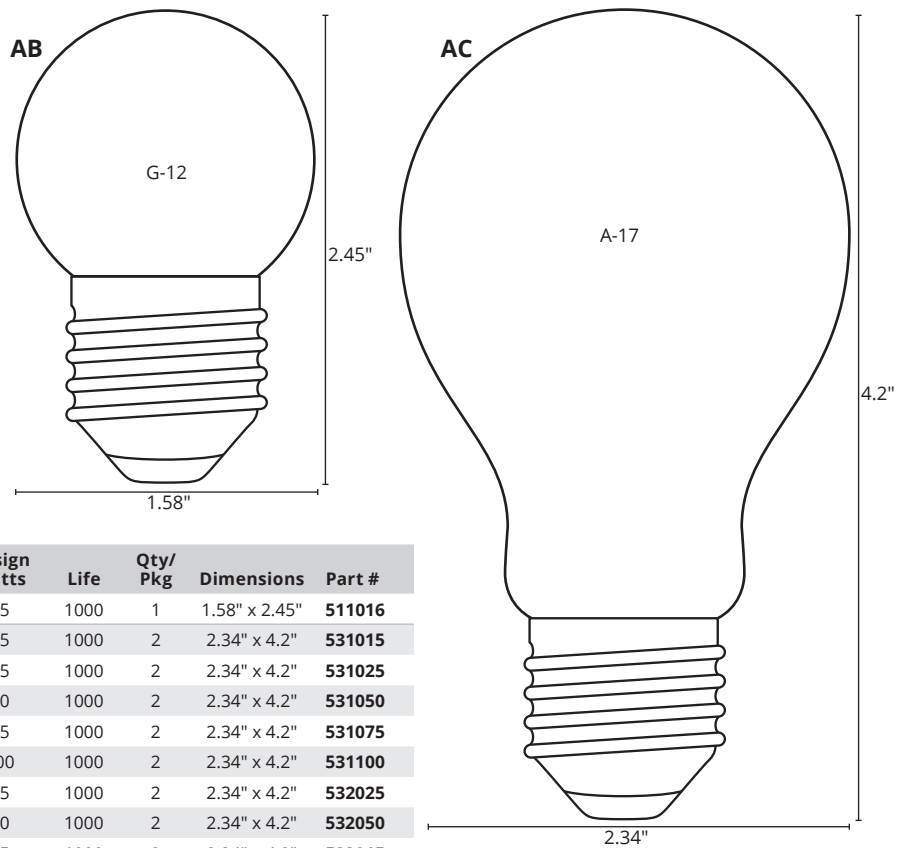
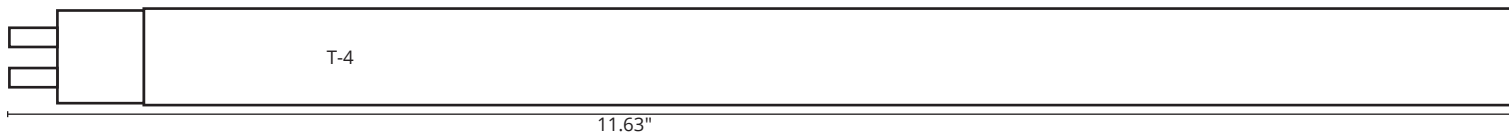


Figure Letter	Trade #	System Volts	Design Volts	Design Amps	Design Watts	Life	Qty/Pkg	Dimensions	Part #
AB	15G12/12	12	13.50	1.25	15	1000	1	1.58" x 2.45"	511016
	15A17/12	12	13.50	1.25	15	1000	2	2.34" x 4.2"	531015
	25A17/12	12	13.50	2.08	25	1000	2	2.34" x 4.2"	531025
	50A17/12	12	13.50	4.17	50	1000	2	2.34" x 4.2"	531050
	75A17/12	12	13.50	6.25	75	1000	2	2.34" x 4.2"	531075
	100A17/12	12	13.50	8.33	100	1000	2	2.34" x 4.2"	531100
AC	25A17/24	24	27.00	1.04	25	1000	2	2.34" x 4.2"	532025
	25A17/24	24	27.00	1.04	50	1000	2	2.34" x 4.2"	532050
	15A17/34	32	36.00	.44	15	1000	2	2.34" x 4.2"	533015
	25A17/34	32	36.00	.74	25	1000	2	2.34" x 4.2"	533025
	50A17/34	32	36.00	1.47	50	1000	2	2.34" x 4.2"	533050
	75A17/34	32	36.00	2.21	75	1000	2	2.34" x 4.2"	533075

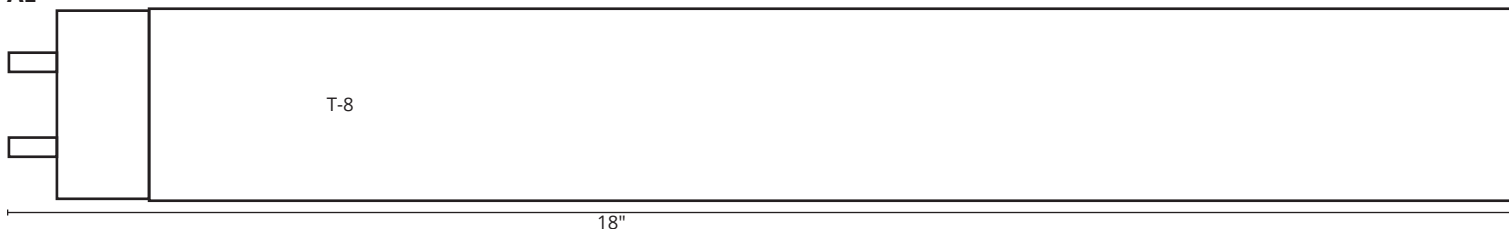
Fluorescent Tubes

Figure Letter	Trade #	Volts	Watts	M.O.L.	M.O.D.	Life	Qty/Pkg	Dimensions	Part #
AD	F8T5/CW	13.5	8	11.3"	.5"	7500	2	.5" x 11.63"	529405
AE	F15T8/CW	13.5	15	18"	1.0"	7500	2	1" x 18"	529406

AD

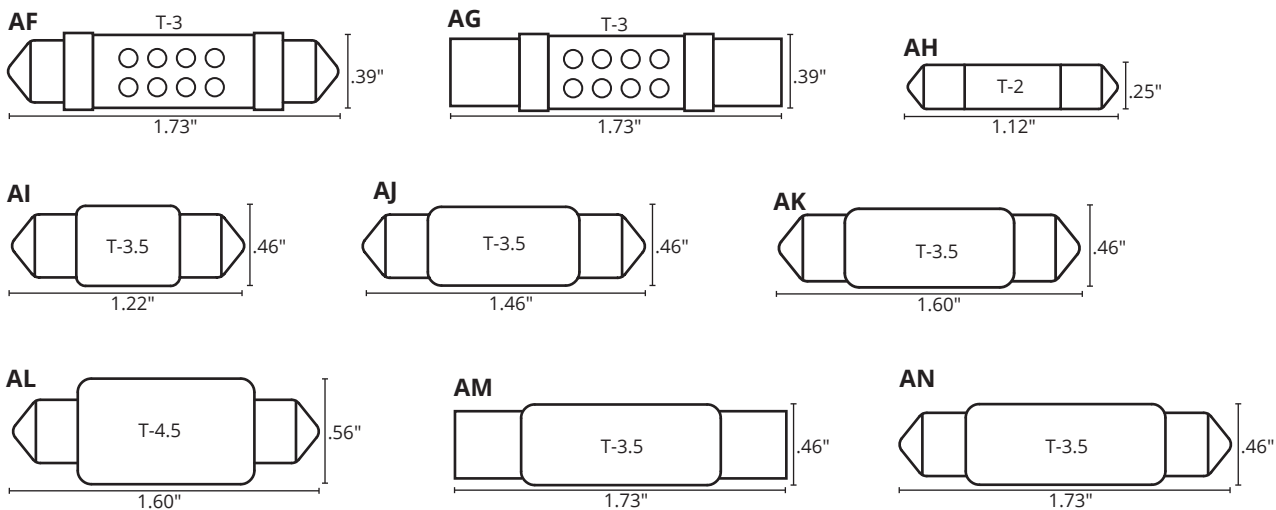


AE



Festoon Bulbs

Drawings are Actual Size



LED Festoon Bulbs

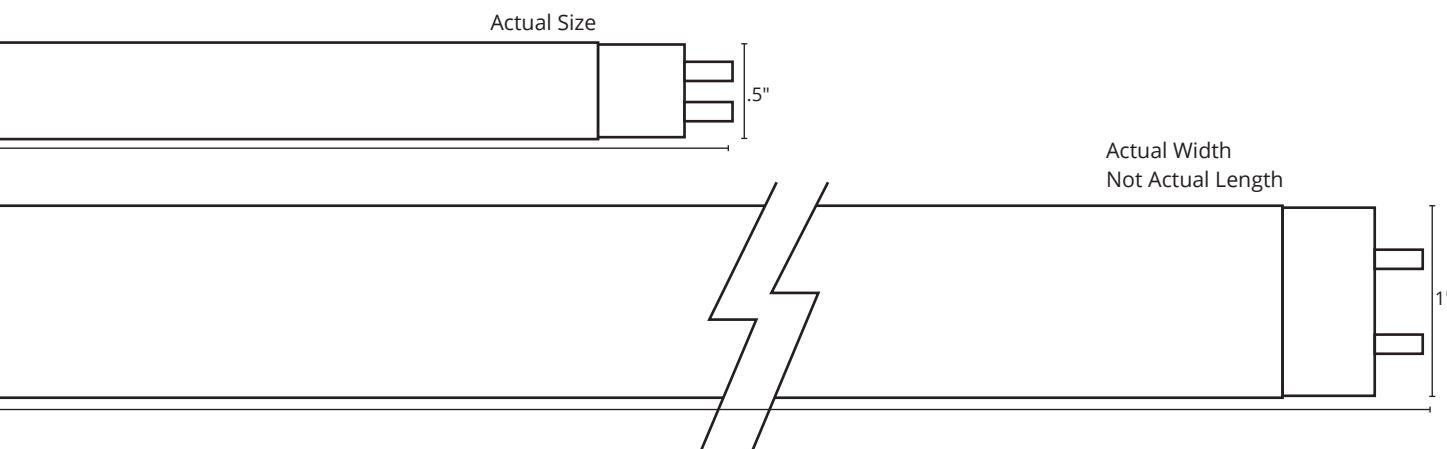
Figure Letter	Trade #	System Volts	Current Draw	CP	Life	Qty/Pkg	Dimensions	Part #
AF	—	12	80 mA	2000MCD*8	50,000	1	.39" x 1.73"	529417
AG	—	12	80 mA	2000MCD*8	50,000	1	.39" x 1.73"	529419

Note: LED bulbs are not rated for navigation.

Festoon Bulbs

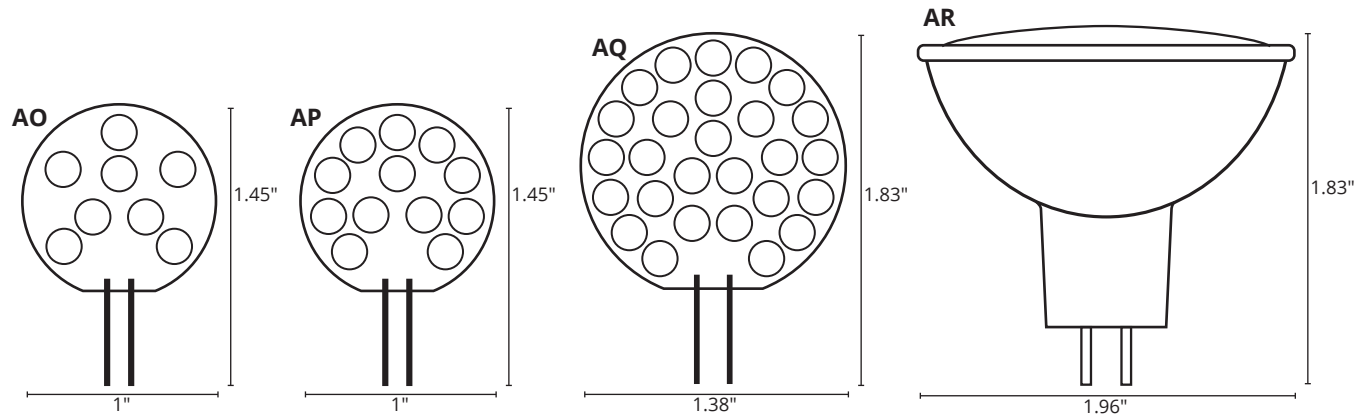
Figure Letter	Trade #	System Volts	Design Volts	Design Amps	Design Watts	CP	Life	Qty/Pkg	Dimensions	Part #
AH	—	12	13.50	.39	4.75	2.00	1,000	2	.25" x 1.12"	522124
	—	12	13.50	.83	10.00	8.00	1,000	2	.46" x 1.22"	529102
AI	—	24	24.00	.41	10.00	8.0	1,000	2	.46" x 1.22"	522129
	—	12	13.50	.83	10.00	8.00	2,000	2	.46" x 1.22"	529104
	—	12	13.50	.83	10.00	8.00	2,000	2	.46" x 1.22"	522127*
AJ	—	12	13.50	.50	6.00	2.00	1,000	2	.46" x 1.46"	529095
AK	211-2	12	12.80	.97	15.00	12.00	1,000	2	.46" x 1.60"	522112
	212-2	12	13.50	.74	10.00	6.00	2,000	2	.46" x 1.60"	522122
AL	—	12	13.50	1.42	15.00	8.00	1,000	2	.56" x 1.60"	522131
AM	—	12	13.50	.83	10.00	8.00	2,000	2	.46" x 1.73"	529333
AN	—	12	13.50	.83	10.00	8.00	2,000	2	.46" x 1.73"	522126

*Red



Pin Style Bulbs

Drawings are Actual Size



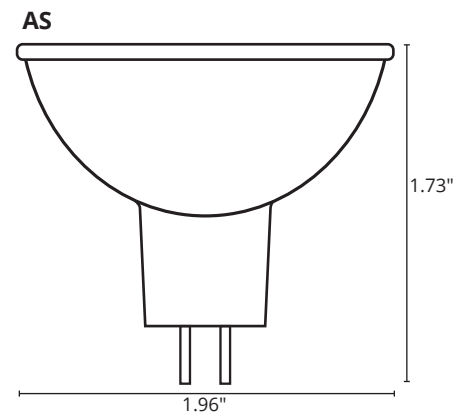
LED Pin Style Bulbs

Figure Letter	System Volts	Current Draw	CP	Life	Qty/ Pkg	Dimensions	Part #
AO	12	80 mA	2500MCD*8	50,000	1	1" x 1.45"	529421
AP	12	80 mA	2500MCD*12	50,000	1	1" x 1.45"	529422
AQ	12	180 mA	2500MCD*27	50,000	1	1.38" x 1.83"	529423
AR	12	140 mA	2500MCD*20	50,000	1	1.96" x 1.83"	529424

Note: LED bulbs are not rated for navigation.

Xenon Pin Style Bulbs

Figure Letter	System Volts	Current Draw	CP	Life	Qty/ Pkg	Dimensions	Part #
AS	12	1.67A	500	2000	1	1.96" x 1.70"	521125



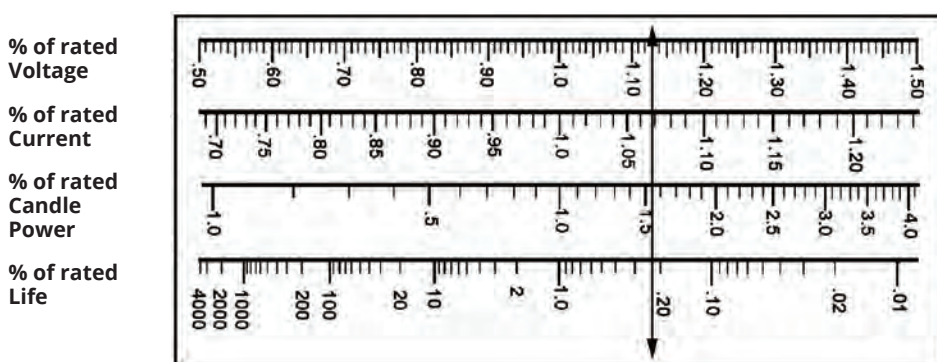
LED Bulb Cross Reference

Incandescent Part #	No. of LED's	Degree	Volts	Color	LED Part #
520094, 521076, 521142, 521140, 521176, 521004	36 LED	360°	10V-30V	—	529420
	36 LED	360°	12V	—	529413
	20 LED	360°	12V	—	529412
520194, 520912, 520906	2 LED	—	12V	—	529411
	1 LED	—	12V	—	529410
521158, 521162	24 LED	360°	10V-30V	—	529416
521125	16 LED	—	12V	Xenon	529424
521127	12 LED	—	12V	Red	529425
521130	12 LED	—	12V	White	529427
521003, 520093, 521141, 521156	16 LED	360°	12V	—	529414
521165	12 LED	—	12V	Amber	529428
522112, 522122	—	—	—	—	529417
529210	12 LED	—	12V	White	529429
529333	8 LED	—	12V	White	529419
529102, 529200, 529096, 522128, 529095, 529102, 529200	4 LED	—	12V	White	529418
529367, 529362, 529361	27 LED	90°	12V	—	529423
	12 LED	90°	12V	—	529422
	8 LED	90°	12V	—	529421

Lamp Life Calculator

This lamp life nomograph shows the relationship between voltage, current, candle power and life. Each lamp has a design voltage as well as a nominal operating voltage. This allows the designer of the lamp to tailor the life/output/current draw to meet specific needs, within certain industry standards. We have chosen to emphasize life and brightness. The rated life is based on the average life of 50% of the lamps tested under laboratory conditions – no vibration, stable voltage, room temperature, and in a vertical position. Any other condition will adversely affect lamp life.

Example: To find the effect of under or over voltage on life, current draw and candle power, read in a horizontal line under % of rated voltage. Thus, a #90 bulb rated at 13V but operating at 14.70V (113% of rated voltage – a high charge rate) would have 107% of rated current draw, 155% of rated candle power, but would only last 23% of its rated life.



Cross Reference Listing

Part #	Figure Letter	Part #	Figure Letter	Part #	Figure Letter	Part #	Figure Letter	Part #	Figure Letter
511016	AB	521125	AS	522112	AK	529355	Z	529419	AG
520053	C	521126	C	522122	AK	529361	X	529420	P
520057	D	521140	M	522124	AH	529362	X	529421	AO
520067	E	521141	I	522126	AN	529367	X	529422	AP
520068	K	521142	M	522127	AI	529368	X	529423	AQ
520082	K	521156	I	522129	AI	529370	X	529424	AR
520090	K	521157	Q	522131	AL	529371	X	531015	AC
520093	J	521158	R	529095	AJ	529385	Y	531025	AC
520094	M	521159	G	529102	AI	529386	AA	531050	AC
520097	E	521162	S	529104	AI	529405	AD	531075	AC
520168	V	521164	O	529168	AA	529406	AE	531100	AC
520194	V	521176	M	529300	N	529410	T	532025	AC
520906	W	521204	M	529333	AM	529411	U	533015	AC
520912	V	521224	K	529337	Z	529412	B	533025	AC
521003	H	521383	J	529338	X	529413	B	533050	AC
521004	L	521416	G	529340	R	529414	A	533075	AC
521034	Q	521816	F	529341	R	529416	P		
521076	M	521895	D	529344	R	529417	AF		

DISPLAYS

Heat Shrink Terminal, Connector & Tubing Displays



Ancor's most popular consumer packages of adhesive lined heat shrink tubing, heat shrink terminals, and butt connectors.

Nylon Connectors & Terminals Displays



A selection of our most popular nylon butt connectors, disconnects and ring terminals to fit wire sizes from 22 to 10 AWG.

Tinned Copper Lug Displays



24 sizes of heavy duty tinned copper lugs, 8 AWG to 4/0. Includes combo packs, battery terminals, and heavy duty lug crimper.

Mini Lamps Displays



Blister packs of Ancor's most popular nickel-plated, corrosion resistant mini lamps and standard base lamps to cover common applications.



DISPLAYS

Marine Grade® Tinned Wire Displays

76



This compact counter top display consists of 60 spools of the 12 most common wire sizes and colors. All wire is Premium UL 1426 Tinned Copper Primary Wire.

Complete Wire Merchandiser

77



This display offers the most popular colors and sizes of primary wire, battery cable, duplex, triplex, coaxial cable, instrument, ribbon, trailer and safety cable. Also included are our top-selling, professional grade tools.

Complete Electrical Merchandiser

78



Designed as an end cap or free standing gondola, this eye catching 4' wide x 6' high heavy duty display provides the retail dealers with a complete selection of our most popular Marine Grade® products.

Anchor product displays can quickly and effectively increase sales by providing an assortment of products to customers in an easy to shop layout



Heat Shrink Terminal, Connector & Tubing Display

Part # DR1230

Part #	Description	Qty/ Pkg	# of Pkgs
301103	1/8" x 3" Black Heat Shrink	3	10
302103	3/16" x 3" Black Heat Shrink	3	10
303103	1/4" x 3" Black Heat Shrink	3	10
304103	3/8" x 3" Black Heat Shrink	3	5
305103	1/2" x 3" Black Heat Shrink	3	5
306103	3/4" x 3" Black Heat Shrink	3	5
301503	3/16"-3/4" x 3" Heat Shrink Assortment Pack	8	5
304503	3/8" x 3" Heat Shrink Assortment BL-GR-RD-WH-YW	5	5
306503	3/4" x 3" Heat Shrink Assortment BL-GR-WH-YW	4	4
300000	Heat Shrink Butt Connector Kit	10	5
309003	22-18 Heat Shrink Butt	3	5
309103	16-14 Heat Shrink Butt	3	5
309203	12-10 Heat Shrink Butt	3	5
310203	22-18 #8 Heat Shrink Ring	3	5
310303	22-18 #10 Heat Shrink Ring	3	5
311203	16-14 #8 Heat Shrink Ring	3	5
311303	16-14 #10 Heat Shrink Ring	3	5
311503	16-14 5/16" Heat Shrink Ring	3	5
311603	16-14 3/8" Heat Shrink Ring	3	5
312203	12-10 #8 Heat Shrink Ring	3	5
312303	12-10 #10 Heat Shrink Ring	3	5
312503	12-10 5/16" Heat Shrink Ring	3	5
312603	12-10 3/8" Heat Shrink Ring	3	5
701009	Stainless Steel Cut/Strip/Crimp Tool	1	2



NEW Heat Shrink Terminal, Connector & Tubing Display

Part # DR2230

Part #	Description	Qty/ Pkg	# of Pkgs
309003	22-18 AWG Heat Shrink Butt	3	3
309103	16-14 AWG Heat Shrink Butt	3	3
309125	16-14 AWG Heat Shrink Butt	25	3
309203	12-10 AWG Heat Shrink Butt	3	3
300000	22-10 AWG Heat Shrink Butt	10	3
310203	22-18 #8 Heat Shrink Ring	3	3
310303	22-18 #10 Heat Shrink Ring	3	3
320003	24-22/24-18 Step-Down, Heat Shrink Butt	3	3
320103	22-18/22-14 Step-Down, Heat Shrink Butt	3	3
320203	16-14/16-10 Step-Down, Heat Shrink Butt	3	3
320303	12-10/12-8 Step-Down, Heat Shrink Butt	3	3
311203	16-14 #8 Heat Shrink Ring	3	3
311303	16-14 #10 Heat Shrink Ring	3	3
311503	16-14 5/16" Heat Shrink Ring	3	3
311603	16-14 3/8" Heat Shrink Ring	3	3
SPK2218	22-18 AWG Heat Shrink, Speaker Connector Kit	6	3
SPK1614	16-14 AWG Heat Shrink, Speaker Connector Kit	6	3
312203	12-10 #8 Heat Shrink Ring	3	3
312303	12-10 #10 Heat Shrink Ring	3	3
312503	12-10 5/16" Heat Shrink Ring	3	3
312603	12-10 3/8" Heat Shrink Ring	3	3
304503	3/8" x 3" Heat Shrink Tubing Assortment	5	3
301103	1/8" x 3" Heat Shrink Tubing, Black	3	3
302103	3/16" x 3" Heat Shrink Tubing, Black	3	3
303103	1/4" x 3" Heat Shrink Tubing, Black	3	3
304103	3/8" x 3" Heat Shrink Tubing, Black	3	3
305103	1/2" x 3" Heat Shrink Tubing, Black	3	3
306103	3/4" x 3" Heat Shrink Tubing, Black	3	3
301503	3/16"-3/4" x 3" Heat Shrink Tubing Asst, Black	8	3

All displays come with matching header, hooks, planogram and re-order tags.



Nylon Connectors & Terminals Display

Part # DR1243

Part #	Description	Qty/ Pkg	# of Pkgs
230100	22-18 Nylon Butt	7	10
230110	16-14 Nylon Butt	7	10
230120	12-10 Nylon Butt	5	10
230202	22-18 #8 Nylon Ring	6	10
230203	22-18 #10 Nylon Ring	6	10
230212	16-14 #8 Nylon Ring	6	10
230213	16-14 #10 Nylon Ring	6	10
230215	16-14 5/16" Nylon Ring	5	10
230216	16-14 3/8" Nylon Ring	5	10
230222	12-10 #8 Nylon Ring	5	10
230223	12-10 #10 Nylon Ring	5	10
230224	12-10 1/4" Nylon Ring	4	10
230225	12-10 5/16" Nylon Ring	4	10
230226	12-10 3/8" Nylon Ring	4	10
230235	#8 5/16" Nylon Ring	2	10
230236	#8 3/8" Nylon Ring	2	10
230312	16-14 #8 Nylon Flanged Spade	6	10
230313	16-14 #10 Nylon Flanged Spade	6	10
230323	12-10 #10 Nylon Flanged Spade	5	10
230615	18-14 Splice Connect	4	5
230818	16-14 Female Nylon Disconnect	5	10
230828	12-10 Female Nylon Disconnect	4	10
231418	16-14 Female Nylon Fully Insulated Disconnect	4	10
231419	16-14 Male Nylon Fully Insulated Disconnect	4	10
231428	12-10 Female Nylon Fully Insulated Disconnect	3	10
231429	12-10 Male Nylon Fully Insulated Disconnect	3	10
701009	Stainless Steel Cut/Strip/Crimp Tool	1	2



NEW Nylon Connectors & Terminals Display

Part # DR2243

Part #	Description	Qty/ Pkg	# of Pkgs
230100	22-18 Nylon Butt	7	5
230110	16-14 Nylon Butt	7	5
230120	12-10 Nylon Butt	5	5
230202	22-18 #8 Nylon Ring	6	5
230203	22-18 #10 Nylon Ring	6	5
230212	16-14 #8 Nylon Ring	6	5
230213	16-14 #10 Nylon Ring	6	5
230215	16-14 5/16" Nylon Ring	5	5
230216	16-14 3/8" Nylon Ring	5	5
230222	12-10 #8 Nylon Ring	5	5
230223	12-10 #10 Nylon Ring	5	5
230224	12-10 1/4" Nylon Ring	4	5
230225	12-10 5/16" Nylon Ring	4	5
230226	12-10 3/8" Nylon Ring	4	5
230235	#8 5/16" Nylon Ring	2	5
230236	#8 3/8" Nylon Ring	2	5
230302	22-18 #8 Nylon Flanged Spade	6	5
230312	16-14 #8 Nylon Flanged Spade	6	5
230313	16-14 #10 Nylon Flanged Spade	6	5
230322	12-10 #8 Nylon Flanged Spade	5	5
230323	12-10 #10 Nylon Flanged Spade	5	5
230615	18-14 Splice Connector	4	5
230510	16-14 Nylon 3-Way Connector	1	5
230520	12-10 Nylon 3-Way Connector	1	5
230818	16-14 Nylon Disconnect, Female	5	5
231418	16-14 Nylon Fully Insulated Disconnect, Female	4	5
231419	16-14 Nylon Fully Insulated Disconnect, Male	4	5
230828	12-10 Nylon Disconnect, Female	4	5
231428	12-10 Nylon Fully Insulated Disconnect, Female	3	5
231429	12-10 Nylon Fully Insulated Disconnect, Male	3	5
230719	16-14 Nylon Snap Plug, Female	4	5
230718	16-14 Nylon Snap Plug, Male	4	5

All displays come with matching header, hooks, planogram and re-order tags.



Tinned Copper Lug Display

Part # DR1425

Part #	Description	Qty/ Pkg	# of Pkgs
252233	#8 #10 Tinned Lug	2	10
252234	#8 1/4" Tinned Lug	2	10
252235	#8 5/16" Tinned Lug	2	10
252236	#8 3/8" Tinned Lug	2	10
252243	#6 #10 Tinned Lug	2	10
252244	#6 1/4" Tinned Lug	2	10
252245	#6 5/16" Tinned Lug	2	10
252246	#6 3/8" Tinned Lug	2	10
252254	#4 1/4" Tinned Lug	2	10
252255	#4 5/16" Tinned Lug	2	10
252256	#4 3/8" Tinned Lug	2	10
252265	#2 5/16" Tinned Lug	2	10
252266	#2 3/8" Tinned Lug	2	10
252275	#1 5/16" Tinned Lug	2	10
252276	#1 3/8" Tinned Lug	2	10
252285	#1/0 5/16" Tinned Lug	2	5
252286	#1/0 3/8" Tinned Lug	2	5
252295	#2/0 5/16" Tinned Lug	2	5
252296	#2/0 3/8" Tinned Lug	2	5
252726	#4/0 3/8" Tinned Lug	2	10
252241	#6 5/16" & 3/8" Combo Pack	1/1	10
252251	#4 5/16" & 3/8" Combo Pack	1/1	10
252261	#2 5/16" & 3/8" Combo Pack	1/1	10
260325	Battery Terminal, Wing Nut, 5/16" & 3/8" Combo	1/1	2



NEW Tinned Copper Lug Display

Part # DR2425

Part #	Description	Qty/ Pkg	# of Pkgs
252233	#8 #10 Tinned Lug	2	2
252234	#8 1/4" Tinned Lug	2	2
252235	#8 5/16" Tinned Lug	2	2
252236	#8 3/8" Tinned Lug	2	2
252243	#6 #10 Tinned Lug	2	2
252244	#6 1/4" Tinned Lug	2	2
252245	#6 5/16" Tinned Lug	2	2
252246	#6 3/8" Tinned Lug	2	2
252254	#4 1/4" Tinned Lug	2	2
252255	#4 5/16" Tinned Lug	2	2
252256	#4 3/8" Tinned Lug	2	2
252265	#2 5/16" Tinned Lug	2	2
252266	#2 3/8" Tinned Lug	2	2
252275	#1 5/16" Tinned Lug	2	2
252276	#1 3/8" Tinned Lug	2	2
252285	#1/0 5/16" Tinned Lug	2	2
252286	#1/0 3/8" Tinned Lug	2	2
252295	#2/0 5/16" Tinned Lug	2	2
252296	#2/0 3/8" Tinned Lug	2	2
252726	#4/0 3/8" Tinned Lug	1/1	2
252241	#6 5/16" & 3/8" Combo Pack	1/1	2
252251	#4 5/16" & 3/8" Combo Pack	1/1	2
252261	#2 5/16" & 3/8" Combo Pack	1/1	2
260325	Battery Terminal, Wing Nut, 5/16" & 3/8" Combo	1/1	2



Mini Lamps Display

Part # DR1550

Part #	Description	Qty/ Pkg	# of Pkgs
511016	Mini Envelope, 12V, 1.25A, 15W	1	2
520053	Mini Bayonet, 12V, .12A, 1.7W, 1CP	2	10
520057	Mini Bayonet, 12V, .24A, 3.4W, 2CP	2	5
520068	Double Contact Bayonet, 12V, .59A, 8W, 4CP	2	5
520090	Double Contact Bayonet, 12V, .58A, 7.5W, 6CP	2	10
520093	Single Contact Bayonet, 12V, 1.04A, 13.3W, 15CP	2	5
520094	Double Contact Bayonet, 12V, 1.04A, 13.3W, 15CP	2	5
520097	Single Contact Bayonet, 12V, .69A, 9.3W, 4CP	2	5
520194	Wedge, 12V, .27A, 3.8W, 2CP	2	10
521003	Single Contact Bayonet, 12V, .94A, 12W, 15CP	2	5
521004	Double Contact Bayonet, 12V, .94A, 12W, 15CP	2	5
521034	Double Contact Index, 12V, 1.8/.59A, 32/3CP	2	5
521076	Double Contact Bayonet, 12V, 1.8A, 23.0W, 32CP	2	5
521140	Double Contact Bayonet, Red, 12V, 1.44A, 18.4W, 21CP	2	5
521141	Single Contact Bayonet, 12V, 1.44A, 18.4W, 21CP	2	5
521142	Double Contact Bayonet, 12V, 1.44A, 18.4W, 21CP	2	5
521157	Double Contact Index, 12V, 2.1/.59A, 32/3CP	2	5
521176	Double Contact Bayonet, 12V, 1.34/.59A 21/6CP	2	5
521416	Mini Bayonet, 12V, .8A, 10.2W, 8.CP	2	5
521816	Mini Bayonet, 12V, .33A, 4.3W, 3CP	2	10
521895	Mini Bayonet, 12V, .27A, 3.8W, 2CP	2	5
522112	Festoon, 12V, .97A, 15W, 12CP	2	10
522122	Festoon, 12V, .74A, 10W, 6CP	2	10
529102	Festoon, 12V, .8A, 10W, 8CP	2	10



NEW Mini Lamps Display

Part # DR2550

Part #	Description	Qty/ Pkg	# of Pkgs
511016	Mini Envelope, 12V, 1.25A, 15W	1	2
520053	Mini Bayonet, 12V, .12A, 1.7W, 1CP	2	3
520057	Mini Bayonet, 12V, .24A, 3.4W, 2CP	2	3
520068	Double Contact Bayonet, 12V, .59A, 8W, 4CP	2	3
520090	Double Contact Bayonet, 12V, .58A, 7.5W, 6CP	2	3
520093	Single Contact Bayonet, 12V, 1.04A, 13.3W, 15CP	2	3
520094	Double Contact Bayonet, 12V, 1.04A, 13.3W, 15CP	2	3
520097	Single Contact Bayonet, 12V, .69A, 9.3W, 4CP	2	3
520194	Wedge, 12V, .27A, 3.8W, 2CP	2	3
521003	Single Contact Bayonet, 12V, .94A, 12W, 15CP	2	3
521004	Double Contact Bayonet, 12V, .94A, 12W, 15CP	2	3
521034	Double Contact Index, 12V, 1.8/.59A, 32/3CP	2	3
521076	Double Contact Bayonet, 12V, 1.8A, 23.0W, 32CP	2	3
521140	Double Contact Bayonet, Red, 12V, 1.44A, 18.4W, 21CP	2	3
521141	Single Contact Bayonet, 12V, 1.44A, 18.4W, 21CP	2	3
521142	Double Contact Bayonet, 12V, 1.44A, 18.4W, 21CP	2	3
521157	Double Contact Index, 12V, 2.1/.59A, 32/3CP	2	3
521176	Double Contact Bayonet, 12V, 1.34/.59A 21/6CP	2	3
521416	Mini Bayonet, 12V, .8A, 10.2W, 8.CP	2	3
521816	Mini Bayonet, 12V, .33A, 4.3W, 3CP	2	3
521895	Mini Bayonet, 12V, .27A, 3.8W, 2CP	2	3
522112	Festoon, 12V, .97A, 15W, 12CP	2	3
522122	Festoon, 12V, .74A, 10W, 6CP	2	3
529102	Festoon, 12V, .8A, 10W, 8CP	2	3

All displays come with matching header, hooks, planogram and re-order tags.



Marine Grade® Tinned Wire Display

Part # DR1218

Part #	Description	# of Pkgs
180003	35' 18 AWG (0.8mm ²), Black	4
180803	35' 18 AWG (0.8mm ²), Red	4
182003	25' 16 AWG (1mm ²), Black	8
182803	25' 16 AWG (1mm ²), Red	8
182303	25' 16 AWG (1mm ²), Green	4
182903	25' 16 AWG (1mm ²), White	4
184003	18' 14 AWG (2mm ²), Black	4
184803	18' 14 AWG (2mm ²), Red	8
184303	18' 14 AWG (2mm ²), Green	4
184903	18' 14 AWG (2mm ²), White	4
186003	12' 12 AWG (3mm ²), Black	4
186803	12' 12 AWG (3mm ²), Red	4



NEW Marine Grade® Tinned Wire Display

Part # DR2218

Part #	Description	# of Pkgs
180003	35' 18 AWG (0.8mm ²), Black	2
180803	35' 18 AWG (0.8mm ²), Red	2
182003	25' 16 AWG (1mm ²), Black	2
182803	25' 16 AWG (1mm ²), Red	2
182303	25' 16 AWG (1mm ²), Green	2
182903	25' 16 AWG (1mm ²), White	2
184003	18' 14 AWG (2mm ²), Black	2
184803	18' 14 AWG (2mm ²), Red	2
184303	18' 14 AWG (2mm ²), Green	2
184903	18' 14 AWG (2mm ²), White	2
186003	12' 12 AWG (3mm ²), Black	2
186803	12' 12 AWG (3mm ²), Red	2

All displays come with matching header, hooks, planogram and re-order tags.

Countertop Display Replacement Headers **NEW**



Part # ANCSHRINK



Part # ANCTERM



Part # ANCLUG



Part # ANCLAMP



Part # ANCWIRE

Complete Wire Merchandiser

NEW ASSORTMENT

Part # DR1086

The DR1086 is Ancor's premier Marine Grade® Wire Merchandiser offering the most popular colors and sizes of primary wire, battery cable, duplex, triplex, coaxial, instrument, ribbon, and trailer cables. Also included are our top-selling, professional grade tools. The display comes complete with a planogram, hooks, re-order tags and five heavy duty wire baskets designed to dispense the spools of wire.



Part #	Description	# of Pkgs
Mini Spools		
180003	18 AWG, Black, 35ft	2
180803	18 AWG, Red, 35ft	2
180903	18 AWG, White, 35ft	2
182003	16 AWG, Black, 25ft	2
182103	16 AWG, Dark Blue, 25ft	2
182303	16 AWG, Green, 25ft	2
182803	16 AWG, Red, 25ft	2
182903	16 AWG, White, 25ft	2
183003	16 AWG, Yellow, 25ft	2
184003	14 AWG, Black, 18ft	2
184803	14 AWG, Red, 18ft	2
186003	12 AWG, Black, 12ft	2
186803	12 AWG, Red, 12ft	2
188003	10 AWG, Black, 8ft	2
188803	10 AWG, Red, 8ft	2
Wire & Cable		
102010	16 AWG, Black, 100ft	1
102110	16 AWG, Dark Blue, 100ft	1
102210	16 AWG, Brown, 100ft	1
102310	16 AWG, Green, 100ft	1
102710	16 AWG, Purple, 100ft	1
102810	16 AWG, Red, 100ft	1
102910	16 AWG, White, 100ft	1
103010	16 AWG, Yellow, 100ft	1
104010	14 AWG, Black, 100ft	1
104110	14 AWG, Dark Blue, 100ft	1
104210	14 AWG, Brown, 100ft	1
104310	14 AWG, Green, 100ft	1
104410	14 AWG, Grey, 100ft	1
104710	14 AWG, Purple, 100ft	1
104810	14 AWG, Red, 100ft	1
104910	14 AWG, White, 100ft	1
105010	14 AWG, Yellow, 100ft	1
106010	12 AWG, Black, 100ft	1
106110	12 AWG, Dark Blue, 100ft	1
106210	12 AWG, Brown, 100ft	1
106310	12 AWG, Green, 100ft	1
106810	12 AWG, Red, 100ft	1
106910	12 AWG, White, 100ft	1
107010	12 AWG, Yellow, 100ft	1
108010	10 AWG, Black, 100ft	1
108810	10 AWG, Red, 100ft	1
111010	8 AWG, Black, 100ft	1

Part #	Description	# of Pkgs
111310	8 AWG, Green, 100ft	1
111510	8 AWG, Red, 100ft	1
112005	6 AWG, Black, 50ft	1
112505	6 AWG, Red, 50ft	1
113005	4 AWG, Black, 50ft	1
113505	4 AWG, Red, 50ft	1
113905	4 AWG, Yellow, 50ft	1
114002	2 AWG, Black, 25ft	1
114502	2 AWG, Red, 25ft	1
114902	2 AWG, Yellow, 25ft	1
116005	1/0 AWG, Black, 50ft	1
116505	1/0 AWG, Red, 50ft	1
117005	2/0 AWG, Black, 50ft	1
117505	2/0 AWG, Red, 50ft	1
121310	12/2 AWG, Flat, 100ft	1
124525	Safety, 14/2 AWG, Flat, 250ft	1
124725	Safety, 16/2 AWG, Flat, 250ft	1
124910	Safety, 18/2 AWG, Flat, 100ft	1
131110	10/3 AWG, Flat, 100ft	1
131310	12/3 AWG, Flat, 100ft	1

Part #	Description	# of Pkgs
131510	14/3 AWG, Flat, 100ft	1
151510	RG 8X, White, 100ft	1
153010	20/3 AWG, Round, 100ft	1
153110	Bonded, 16/2 AWG, Flat, 100ft	1
154525	Bonded, 16/4 AWG, Flat, 250ft	1
Tools & Wire Management		
339066	Electrical Tape, 1/2" x 20' Assorted	2
701009	Stainless Steel Cut/Strip/Crimp Tool	2
702030	Tool #24-#12 Automatic Wire Stripper	2
703005	Wire & Cable Cutter	2
703010	Single Crimp Ratchet Tool	1
703030	Double Crimp Ratchet Tool	1
703075	Premium Battery Cable Stripper	2



Complete Electrical Merchandiser

**NEW
ASSORTMENT**

Part # DR1088

The DR1088 is Ancor's premier merchandiser. Designed as an end cap or free standing gondola, this eye catching 4' wide x 6' high heavy duty display provides the retail dealers with a complete selection of our most popular Marine Grade® products. The top section includes consumer packs of our most popular terminals, lugs, lamps, mini-spools, cable ties and heat shrink tubing products. The bottom section offers the most popular colors and sizes of primary wire, battery cable, duplex, and triplex to be sold by the foot. The DR1088 electrical merchandiser comes complete with a planogram, hooks, re-order tags and three heavy duty wire baskets designed to dispense the spools of wire.

Also Available:

Part # DR1089

DR1089 Merchandiser: Duplicate product selection as DR1088; with hooks, reorder tags, wire baskets included. No gondola included (to be used with existing pegboard or store wall).

Part # DR1091

DR1091 Merchandiser contains only the packaged product from the DR1088.

Part #	Description	# of Pkgs
Mini Spools		
180003	18 AWG, Black, 35ft	2
180803	18 AWG, Red, 35ft	2
180903	18 AWG, White, 35ft	2
182003	16 AWG, Black, 25ft	2
182103	16 AWG, Dark Blue, 25ft	2
182303	16 AWG, Green, 25ft	2
182803	16 AWG, Red, 25ft	2
182903	16 AWG, White, 25ft	2
183003	16 AWG, Yellow, 25ft	2
184003	14 AWG, Black, 18ft	2
184803	14 AWG, Red, 18ft	2
186003	12 AWG, Black, 12ft	2
186803	12 AWG, Red, 12ft	2
188003	10 AWG, Black, 8ft	2
188803	10 AWG, Red, 8ft	1
Wire & Cable		
100010	18 AWG, Black, 100ft	1
100810	18 AWG, Red, 100ft	1
102010	16 AWG, Black, 100ft	1
102310	16 AWG, Green, 100ft	1
102810	16 AWG, Red, 100ft	1
102910	16 AWG, White, 100ft	1
104010	14 AWG, Black, 100ft	1
104310	14 AWG, Green, 100ft	1
104810	14 AWG, Red, 100ft	1
106010	12 AWG, Black, 100ft	1
106810	12 AWG, Red, 100ft	1
106910	12 AWG, White, 100ft	1
108010	10 AWG, Black, 100ft	1
108310	10 AWG, Green, 100ft	1
108810	10 AWG, Red, 100ft	1
111010	8 AWG, Black, 100ft	1
111510	8 AWG, Red, 100ft	1
113005	4 AWG, Black, 50ft	1
113505	4 AWG, Red, 50ft	1
114002	2 AWG, Black, 25ft	1
114502	2 AWG, Red, 25ft	1
121110	10/2 AWG, Flat, 100ft	1
121325	12/2 AWG, Flat, 250ft	1
121525	14/2 AWG, Flat, 250ft	1
121725	16/2 AWG, Flat, 250ft	1
121925	18/2 AWG, Flat, 250ft	1
131110	10/3 AWG, Flat, 100ft	1
131310	12/3 AWG, Flat, 100ft	1
131510	14/3 AWG, Flat, 100ft	1
Nylon Connectors & Terminals		
230100	Butt Connector, 22-18, 7pc	10
230110	Butt Connector, 16-14, 7pc	10
230120	Butt Connector, 12-10, 5pc	10
230203	Ring Terminal, 22-18 #10, 6pc	10
230213	Ring Terminal, 16-14 #10, 6pc	10
230216	Ring Terminal, 16-14 3/8", 5pc	10
230223	Ring Terminal, 12-10 #10, 5pc	10
230225	Ring Terminal, 12-10 5/16", 4pc	10
230226	Ring Terminal, 12-10 3/8", 4pc	10

Part #	Description	# of Pkgs
230312	Flanged Spade, 16-14 #8, 6pc	10
230313	Flanged Spade, 16-14 #10, 6pc	10
230323	Flanged Spade, 12-10 #10, 5pc	10
230615	Splice Connector, 18-14, 4pc	5
231418	Fully Insul Disc, Female, 16-14, 4pc	10
231419	Fully Insul Disc, Male, 16-14, 4pc	10
231428	Fully Insul Disc, Female, 12-10, 3pc	10

Heavy Duty Tinned Lugs

252235	#8 5/16", 2pc	10
252236	#8 3/8", 2pc	10
252244	#6 1/4"pc	10
252245	#6 5/16", 2pc	10
252246	#6 3/8", 2pc	10
252255	#4 5/16", 2pc	10
252256	#4 3/8", 2pc	10
252265	#2 5/16", 2pc	10
252266	#2 3/8", 2pc	10
252285	#1/0 5/16", 2pc	5
252286	#1/0 3/8", 2pc	5
252295	#2/0 5/16", 2pc	5
252296	#2/0 3/8", 2pc	5

Lead Battery Terminal, 5/16" & 3/8" Combo Pack

260325	Lead Battery Terminal, 5/16" & 3/8" Combo Pack	2
--------	--	---

Adhesive Lined Heat Shrink Tubing

302103	3/16" x 3", Black, 3pc	10
303103	1/4" x 3", Black, 3pc	10
304103	3/8" x 3", Black, 3pc	5
305103	1/2" x 3", Black, 3pc	5
306103	3/4" x 3", Black, 3pc	5
326202	Battery Cable Tubing, 3/4" x 3", Black & Red	5

Adhesive Lined Heat Shrink Connectors & Terminals

309003	Butt Connector, 22-18, 3pc	10
309103	Butt Connector, 16-14, 3pc	10
309203	Butt Connector, 12-10, 3pc	10
309303	Butt Connector, #8, 3pc	10
310203	Ring Terminal, 22-18 #8, 3pc	10
310303	Ring Terminal, 22-18 #10, 3pc	10
311203	Ring Terminal, 16-14 #8, 3pc	10
311303	Ring Terminal, 16-14 #10, 3pc	10
311403	Ring Terminal, 16-14 1/4", 3pc	10
311503	Ring Terminal, 16-14 5/16", 3pc	10
311603	Ring Terminal, 16-14 3/8", 3pc	10
312203	Ring Terminal, 12-10 #8, 3pc	10
312303	Ring Terminal, 12-10 #10, 3pc	10
312403	Ring Terminal, 12-10 1/4", 3pc	10
312503	Ring Terminal, 12-10 5/16", 3pc	10
312603	Ring Terminal, 12-10 3/8", 3pc	10
316803	Disconnect, Female 22-18, 3pc	10
316903	Disconnect, Male 22-18, 3pc	10
317803	Disconnect, Female 16-14, 3pc	10
317903	Disconnect, Male 16-14, 3pc	10
320103	Butt Connector, Step-Down, 22-18/22-14, 3pc	10
320203	Butt Connector, Step-Down, 16-14/16-10, 3pc	10
321503	Ring Terminal, #8 5/16", 3pc	10
321603	Ring Terminal, #8 3/8", 3pc	10

Part #	Description	# of Pkgs
Wire Management		

199204	Cable Tie, Std, 8", Natural, 25pc	10
199206	Cable Tie, Std, 8", UVB, 25pc	10
199228	Cable Tie, Mounting, 8", UVB, 25pc	10
199246	Cable Tie, Std, 6", Natural, 25pc	10
199248	Cable Tie, Std, 6", UVB, 25pc	10
339066	Electrical Tape, 1/2" x 20' Assorted	2
400000	Nylon Clamps, Natural, 1/8"-1/2" Assorted, 54pc	3
403502	Stainless Steel Cushion Clamp, 1/2", 10pc	2
750000	Vinyl, Grommets, 1/4"-3/4" Assortment, 45pc	3

Mini Lamps

520090	Dbl Contact Bayonet, 12V, .58A, 7.5W, 6CP, 2pc	5
520194	Wedge, 12V, .27A, 3.8W, 2CP, 2pc	5
520906	Wedge, 12V, .69A, 9.0W 6CP, 2pc	5
521004	Dbl Contact Bayonet, 12V, .94A, 12W, 15CP, 2pc	5
529102	Festoon, 12V, .8A, 10W, 8CP, 2pc	5
529338	Dbl Contact Bayonet, 24V, .42A, 10W	5
529362	Halogen G-4, 12V, .83A, 10W	5
529368	Halogen G-4, 24V, .83A, 20W	5

Tools

701009	Stainless Steel Cut/Strip/Crimp Tool	1
702030	Tool #24-#12 Automatic Wire Stripper	1
703005	Wire & Cable Cutter	1
703010	Single Crimp Ratchet Tool	1
703030	Double Crimp Ratchet Tool	1
703024	Mini Butane Torch	1

Replacement Display Accessories

Part #	Description	# of Pkgs
DR0007	4" Basket Brackets	2 per
DR0008	6.5" Basket Brackets	2 per
DR0009	10.5" Basket Brackets	2 per
DR0010	4" Wire Basket	1 per
DR0011	8" Wire Basket	1 per
DR0012	12" Wire Basket	1 per
DR0020	48" Heavy Duty Gondola	1 per
DR0061	6" Metal Pegboard Hooks	120 per

48" Display Replacement Header



Part # ANCHHEADER

Wire & Cable Technical Data

Using the wrong type of wire can cost you more in the long run. Insist on Marine Grade® Boat Cable by Ancor. It is UL approved for the corrosive marine environment and charter boat service. Marine Grade Boat Cable is specially designed to exceed all test standards for cold bend, moisture and oil resistance, heat shock and flammability. This ensures the safest, easiest to install, longest lasting and ultimately the least expensive electrical system you can buy. Only Ancor offers a complete line of Marine Grade Boat Cable for every need.

“Can I use ‘regular wire’ for my boat?” The answer to this common question is a qualified "yes." However, caution is advised and the installer must understand the circumstances in which SAE (Society of Automotive Engineering) J378, J1127 or J1128 wire can, and can not be used. Keep in mind that these wires are designed for "surface vehicles," not for the special

requirements of the marine industry. Even if tinned copper, they should not be run in bilge spaces or other areas subject to moisture from spray or dripping. They should not be run in engines spaces, unless marked "oil resistant" and "75°C". They should not be used in applications where subjected to vibration or frequent flexing and must never be used for 110 volt applications. For safety, use only wire which is marked with size, type and temperature rating.

Most importantly, SAE wire is up to 12% smaller than AWG Boat Cable which means that, in many applications, larger gauge wire must be used to stay within the voltage drop limits recommended by experts. The wire charts found in "Chapman's Piloting" and other publications are all for "AWG" wire like Ancor, not "SAE" type wire.

ABYC Recommended Usages

Color	Item	Use
Red	DC Positive Conductor	Positive Mains
Black or Yellow	DC Negative Conductor	Return, Negative Mains
Green or Green w/ Yellow Stripe	DC Grounding Conductor	Bonding System Bonding Wires (if insulated)
Light Blue	Oil Pressure	Oil Pressure Sender to Gauge
Dark Blue	Cabin & Instrument Lights	Fuse or Switch to Lights
Brown	Generator Armature	Generator Armature to Regulator
	Alternator Charge Light	Generator Terminal/Alternator Auxiliary Terminal to Light to Regulator
	Pumps	Fuse or Switch to Pumps
Grey	Navigation Lights	Fuse or Switch to Lights
	Tachometer	Tachometer Sender to Gauge
Orange	Accessory Feed	Ammeter to Alternator or Generator Output and Accessory Fuses or Switches
	Common Feed	Distribution Panel to Accessory Switch
Pink	Fuel Gauge	Fuel Gauge Sender to Gauge
Purple	Ignition	Ignition Switch to Coil & Electrical Instruments
	Instrument Feed	Distribution Panel to Electric Instruments
Brown w/ Yellow Stripe	Bilge Blowers	Fuse or Switch to Blower
Yellow w/ Red Stripe	Starting Circuit	Starting Switch to Solenoid
Tan	Water Temperature	Water Temperature Sender to Gauge
Green/Stripe (G/x) (except G/Y)	Tilt Down and/or Trim In	Tilt and/or Trim Circuits
Blue/Stripe (Bl/x)	Tilt Up and/or Trim Out	Tilt and/or Trim Circuits

Conductors Sized (AWG) for 3% Voltage Drop

Use 3% voltage drop for any "critical application" affecting the safety of the vessel or its passengers: bilge pumps, navigation lights, electronics, etc....

Length (feet): Determined by measuring the length of the conductor from the positive (+) power source connection to the electrical device and back to the negative (-) power source connection. Note that the power source connection may be either the battery, panelboard or switchboard.

Current (amps): Determined by adding the total amps on a circuit.

Conductor sizes not covered in the following tables may be calculated by using the following formula:

$$CM = \frac{K \times I \times L}{E}$$

After calculating the Circular Mil Area (CM), use the temperature rating chart to determine the proper conductor size (National Fire Protection Agency and Coast Guard require that the next larger conductor be used when the calculated CM area falls between the two conductor sizes).

CM = Circular Mil Area of Conductors
K = 10.75 (Constant representing the mil-foot resistance of copper)

I = Current - amps

L = Length - feet

E = Voltage drop at load
 (drop x working voltage)

TECH tip

ABYC Recommends...

"Conductors used for panelboard or switchboard main feeders, bilge blowers, electronic equipment, navigation lights, and other circuits where voltage drop must be kept to a minimum, shall be sized for a voltage drop not to exceed three percent." ABYC 11.16.1.2.7.

3% Voltage Drop at 12 Volts

Length	Current (Amps)												
	5	10	15	20	25	30	40	50	60	70	80	90	100
10' 3 m	18	14	12	10	10	8	6	6	6	6	6	4	4
15' 5 m	16	12	10	10	8	8	6	6	4	4	4	2	2
20' 6 m	14	10	10	8	6	6	6	4	4	2	2	2	2
25' 8 m	12	10	8	6	6	6	4	4	2	2	2	1	1
30' 9 m	12	10	8	6	4	4	4	2	2	2	2	1	1
40' 12 m	10	8	6	6	4	4	2	2	1	1/0	1/0	2/0	2/0
50' 15 m	10	6	6	4	4	2	2	1	1/0	2/0	3/0	4/0	4/0
60' 18 m	10	6	6	4	2	2	1	1/0	2/0	3/0	3/0	4/0	4/0
70' 21 m	8	6	4	2	2	1	1/0	2/0	3/0	3/0	4/0	4/0	
80' 24 m	8	6	4	2	2	1	1/0	2/0	3/0	4/0	4/0		
90' 27 m	8	4	2	2	1	1/0	2/0	3/0	4/0	4/0			
100' 30 m	6	4	2	2	1	1/0	2/0	3/0	4/0				
110' 33 m	6	4	2	2	1	1/0	2/0	3/0	4/0				
120' 36 m	6	4	2	1	1/0	2/0	3/0	4/0					
130' 40 m	6	2	2	1	1/0	2/0	3/0	4/0					
140' 43 m	6	2	2	1/0	2/0	3/0	4/0						
150' 46 m	6	2	1	1/0	2/0	3/0	4/0						
160' 49 m	6	2	1	1/0	2/0	3/0	4/0						
170' 52 m	6	2	1	2/0	3/0	3/0	4/0						

3% Voltage Drop at 24 Volts

Length	Current (Amps)												
	5	10	15	20	25	30	40	50	60	70	80	90	100
10' 3 m	18	18	16	14	12	12	10	10	10	8	8	8	6
15' 5 m	18	16	14	12	12	10	10	8	8	6	6	6	6
20' 6 m	18	14	12	10	10	10	8	6	6	6	6	4	4
25' 8 m	16	12	12	10	10	8	6	6	6	4	4	4	4
30' 9 m	16	12	10	10	8	8	6	6	4	4	4	2	2
40' 12 m	14	10	10	8	6	6	6	4	4	2	2	2	2
50' 15 m	12	10	8	6	6	6	4	4	2	2	2	1	1
60' 18 m	12	10	8	6	6	4	4	2	2	1	1	1/0	1/0
70' 21 m	12	8	6	6	4	4	2	2	1	1	1/0	1/0	2/0
80' 24 m	10	8	6	6	4	4	2	2	1	1/0	1/0	2/0	2/0
90' 27 m	10	8	6	4	4	2	2	1	1/0	1/0	2/0	2/0	3/0
100' 30 m	10	6	6	4	4	2	2	1	1/0	2/0	2/0	3/0	3/0
110' 33 m	10	6	6	4	2	2	1	1/0	1/0	2/0	3/0	3/0	4/0
120' 36 m	10	6	4	4	2	2	1	1/0	2/0	3/0	3/0	4/0	4/0
130' 40 m	8	6	4	2	2	2	1	1/0	2/0	3/0	3/0	4/0	4/0
140' 43 m	8	6	4	2	2	1	1/0	2/0	3/0	3/0	4/0	4/0	
150' 46 m	8	6	4	2	2	1	1/0	2/0	3/0	3/0	4/0	4/0	
160' 49 m	8	6	4	2	2	1	1/0	2/0	3/0	4/0	4/0	4/0	
170' 52 m	8	6	2	2	1	1	2/0	3/0	3/0	4/0	4/0		

3% Voltage Drop at 32 Volts

Length	Current (Amps)												
	5	10	15	20	25	30	40	50	60	70	80	90	100
10' 3 m	18	18	16	16	14	14	12	12	10	10	10	8	8
15' 5 m	18	16	14	14	12	12	10	10	8	8	8	6	6
20' 6 m	18	16	12	12	12	10	10	8	8	6	6	6	6
25' 8 m	18	14	12	12	10	10	8	8	6	6	6	6	4
30' 9 m	16	14	10	10	10	8	8	6	6	6	4	4	4
40' 12 m	16	12	10	10	8	8	6	6	4	4	4	2	2
50' 15 m	14	12	8	8	8	6	6	4	4	2	2	2	2
60' 18 m	14	10	8	8	6	6	4	4	2	2	2	2	1
70' 21 m	12	10	6	6	6	6	4	2	2	2	1	1	0
80' 24 m	12	10	6	6	6	4	4	2	2	1	1	0	0
90' 27 m	12	8	6	6	6	4	2	2	2	1	1/0	1/0	2/0
100' 30 m	12	8	6	6	4	4	2	2	1	1/0	1/0	2/0	2/0
110' 33 m	10	8	6	6	4	4	2	2	1	1/0	1/0	2/0	2/0
120' 36 m	10	8	6	4	4	2	2	1	1/0	1/0	2/0	2/0	3/0
130' 40 m	10	8	6	4	4	2	2	1	1/0	2/0	2/0	3/0	3/0
140' 43 m	10	6	6	4	2	2	1	1/0	1/0	2/0	3/0	3/0	3/0
150' 46 m	10	6	6	4	2	1	1	1/0	2/0	2/0	3/0	3/0	4/0
160' 49 m	10	6	4	4	2	1	1	1/0	2/0	3/0	3/0	4/0	4/0
170' 52 m	8	6	4	2	2	1	1	1/0	2/0	3/0	3/0	4/0	4/0

Conductors Sized (AWG) for 10% Voltage Drop

Use 10% voltage drop for any "non-critical" applications: windlass, cabin lights, etc....

For Example...

Q: A bilge pump draws 10 amps. The positive run is 11 feet from the power panel, including the float switch. The negative run is only 10 feet. What size is the wire?

A: Use the formula to reach the correct answer:

$$CM = \frac{10.75 \times 10 \text{ (amps)} \times 21 \text{ (total length of run)}}{0.36 \text{ (3\% of 12V)}} = 6,271$$

Ancor cable specifications show that 12 AWG wire has a CM area of 6,500 and is the correct choice. However, SAE wire has a CM area of only 5,833. Under NFPA and USCG regulations, 10 SAE wire must be used.

TECH tip™

ABYC Recommends...

"Conductors used for lighting, other than navigation lights, and other circuits where voltage drop is not critical, shall be sized for a voltage drop not to exceed 10 percent." ABYC 11.16.1.2.7.

10% Voltage Drop at 12 Volts

Length	Current (Amps)												
	5	10	15	20	25	30	40	50	60	70	80	90	100
10' 3 m	18	18	18	16	16	14	14	12	12	10	10	10	10
15' 5 m	18	18	16	14	14	12	12	10	10	8	8	8	8
20' 6 m	18	16	14	14	12	12	10	10	8	8	8	6	6
25' 8 m	18	16	14	12	12	10	10	8	8	6	6	6	6
30' 9 m	18	14	12	12	10	10	8	8	6	6	6	6	4
40' 12 m	16	14	12	10	10	8	8	6	6	6	4	4	4
50' 15 m	16	12	10	10	8	8	6	6	4	4	4	2	2
60' 18 m	14	12	10	8	8	6	6	4	4	2	2	2	2
70' 21 m	14	10	8	8	6	6	6	4	2	2	2	2	1
80' 24 m	14	10	8	8	6	6	4	4	2	2	2	1	1
90' 27 m	12	10	8	6	6	6	4	2	2	2	1	1	1/0
100' 30 m	12	10	8	6	6	4	4	2	2	1	1	1/0	1/0
110' 33 m	12	8	8	6	6	4	2	2	2	1	1/0	1/0	1/0
120' 36 m	12	8	6	6	4	4	2	2	1	1	1/0	1/0	2/0
130' 40 m	12	8	6	6	4	4	2	2	1	1/0	1/0	2/0	2/0
140' 43 m	10	8	6	6	4	2	2	1	1	1/0	2/0	2/0	2/0
150' 46 m	10	8	6	4	4	2	2	1	1/0	1/0	2/0	2/0	3/0
160' 49 m	10	8	6	4	4	2	2	1	1/0	2/0	2/0	3/0	3/0
170' 52 m	10	6	6	4	2	2	2	1	1/0	2/0	2/0	3/0	3/0

10% Voltage Drop at 24 Volts

Length	Current (Amps)												
	5	10	15	20	25	30	40	50	60	70	80	90	100
10' 3 m	18	18	18	18	18	18	16	16	14	14	14	12	12
15' 5 m	18	18	18	18	16	16	14	14	12	12	12	10	10
20' 6 m	18	18	18	16	16	14	14	12	12	10	10	10	10
25' 8 m	18	18	16	16	14	14	12	12	10	10	10	8	8
30' 9 m	18	18	16	14	14	12	12	10	10	8	8	8	8
40' 12 m	18	16	14	14	12	12	10	10	8	8	8	6	6
50' 15 m	18	16	14	12	12	10	10	8	8	6	6	6	6
60' 18 m	18	14	12	12	10	10	8	8	6	6	6	6	4
70' 21 m	16	14	12	10	10	8	8	6	6	6	6	4	4
80' 24 m	16	14	12	10	10	8	8	6	6	6	4	4	4
90' 27 m	16	12	10	10	8	8	6	6	6	4	4	4	2
100' 30 m	16	12	10	10	8	8	6	6	4	4	4	2	2
110' 33 m	14	12	10	8	8	8	6	6	4	4	2	2	2
120' 36 m	14	12	10	8	8	6	6	4	4	2	2	2	2
130' 40 m	14	12	10	8	8	6	6	4	4	2	2	2	2
140' 43 m	14	10	8	8	6	6	6	4	2	2	2	2	1
150' 46 m	14	10	8	8	6	6	4	4	2	2	2	2	1
160' 49 m	14	10	8	8	6	6	4	4	2	2	2	1	1
170' 52 m	12	10	8	6	6	6	4	2	2	2	2	1	1

10% Voltage Drop at 32 Volts

Length	Current (Amps)												
	5	10	15	20	25	30	40	50	60	70	80	90	100
10' 3 m	18	18	18	18	18	18	18	16	16	14	14	14	14
15' 5 m	18	18	18	18	18	18	16	14	14	14	12	12	12
20' 6 m	18	18	18	18	16	16	14	14	12	12	12	10	10
25' 8 m	18	18	18	16	16	14	14	12	12	10	10	10	10
30' 9 m	18	18	18	16	14	14	12	14	10	10	10	10	8
40' 12 m	18	18	16	14	14	12	12	10	10	8	8	8	8
50' 15 m	18	16	14	14	12	12	10	10	8	8	8	6	6
60' 18 m	18	16	14	12	12	10	10	8	8	8	6	6	6
70' 21 m	18	14	14	12	10	10	8	8	8	6	6	6	6
80' 24 m	18	14	12	12	10	10	8	8	6	6	6	6	4
90' 27 m	18	14	12	10	10	10	8	6	6	6	6	4	4
100' 30 m	16	14	12	10	10	8	8	6	6	6	4	4	4
110' 33 m	16	14	12	10	10	8	8	6	6	6	4	4	4
120' 36 m	16	12	10	10	8	8	6	6	6	4	4	4	2
130' 40 m	16	12	10	10	8	8	6	6	6	4	4	2	2
140' 43 m	14	12	10	8	8	8	6	6	4	4	2	2	2
150' 46 m	14	12	10	8	8	6	6	6	4	4	2	2	2
160' 49 m	14	12	10	8	8	6	6	4	4	2	2	2	2
170' 52 m	14	12	10	8	8	6	6	4	4	2	2	2	2

18-4/0 AWG Wire and Cable Specifications

AWG	mm ²	AWG CM area	SAE CM area	Ampacity Engine Space	
				Outside	Inside
18	0.8	1,600	1,537	20	17
16	1	2,600	2,336	25	21
14	2	4,100	3,702	35	30
12	3	6,500	5,833	45	38
10	5	10,500	9,343	60	51
8	8	16,800	14,810	80	68
6	13	26,600	24,538	120	102
4	21	42,000	37,360	160	136
2	34	66,500	62,450	210	178
1	42	83,690	77,790	245	208
1/0	53	105,600	98,980	285	242
2/0	68	133,100	125,100	330	280
3/0	85	167,800	158,600	385	327
4/0	107	211,600	205,500	445	378

Temperature Rating of Conductor Insulation

The Law

The Code of Federal Regulations (CFR) 183.425 Conductors

- (b) Except for intermittent surges each conductor must not carry a current greater than that specified for the conductor's gauge and temperature rating.
- (c) For conductors in engine spaces, amperages must be corrected by the appropriate correction factor in Note 1.

Due to engine heat, the ambient temperature in engine spaces is usually higher than in other spaces of the boat. Wiring in and passing through engine spaces must be able to operate at these higher ambient temperatures. The ampacity values are based on an ambient temperature of 86°F / 30°C which is considered reasonable for use on boats except in engine spaces. The correction factors in Note 1 converts the ampacities to acceptable values in an ambient temperature of 122°F / 50°C. This higher temperature has been selected as satisfactory for engine spaces. Note 1 is supplied to eliminate the need for calculating the corrections. The values are already corrected.

Conductor Size AWG	Ampacity Outside of Engine Space	Ampacity Inside of Engine Space (Note 1)
18	20	17
16	25	21
14	35	30
12	45	38
10	60	51
8	80	68
6	120	102
4	160	136
3	180	153
2	210	178
1	245	208
1/0	285	242
2/0	330	280
3/0	385	327
4/0	445	378

*De-rating for engine space is 0.85 for 221°F / 105°C rated wire.

Allowable Amperage of Conductors of 50 Volts or More

The current values shown in this chart and also on the wire and cable specifications chart do not consider voltage drop for conductors under 50 volts. The values shown on the ampacity table are the maximum safe amperages which the conductor can carry on a continuous basis. They do not apply to intermittent starting loads such as motor start currents. Since all Ancor Boat Cable is 105°C insulated, only that temperature rating is shown.

Due to the higher ambient temperatures in engine spaces and the heat retention of large wire bundles, a “correction factor” must be used to de rate the wire by increasing conductor size. This chart takes into consideration these factors and should be used to select conductor sizes for circuits over 50 volts. Note that for electrical systems under 50 volts, voltage drop is the controlling factor and the tables on 81 and 82 should be used.

Conductor Size AWG	2 Conductors 221°F (105°C) Engine Space		3 Conductors 221°F (105°C) Engine Space		4–6 Conductors 221°F (105°C) Engine Space		7–24 Conductors 221°F (105°C) Engine Space	
	Outside	Inside	Outside	Inside	Outside	Inside	Outside	Inside
18	20	17.0	14.0	11.9	12.0	10.2	10.0	8.5
16	25	21.3	17.5	14.9	15.0	12.8	12.5	10.6
14	35	29.8	24.5	20.8	21.0	17.9	17.5	14.9
12	45	38.3	31.5	26.8	27.0	23.0	22.5	19.1
10	60	51.0	42.0	35.7	36.0	30.6	30.0	25.5
8	80	68.0	56.0	47.6	48.0	40.8	40.0	34.0
6	120	102.0	84.0	71.4	72.0	61.2	60.0	51.0
4	160	136.0	112.0	95.2	96.0	81.6	80.0	68.0
3	180	153.0	126.0	107.1	108.0	91.8	90.0	76.5
2	210	178.5	147.0	125.0	126.0	107.1	105.0	89.3
1	245	208.3	171.5	145.8	147.0	125.0	122.5	104.1
1/0	285	242.3	199.5	169.6	171.0	145.4	142.5	121.1
2/0	330	280.5	231.0	196.4	198.0	168.3	165.0	140.3
3/0	385	327.3	269.5	229.1	231.0	196.4	192.5	163.6
4/0	445	378.3	311.5	264.8	267.0	227.0	222.5	189.1

Number of current carrying conductors:	Correction Factor
3	0.70
4 to 6	0.60
7 to 24	0.50
25 and above	0.40

This table is supplied to eliminate the need for calculating the corrections for multi-conductor cable bundles in the temperature rating chart. The values are already corrected.

Note: These tables only apply for 221°F (105°C) wire and other premium wire and should not be used for lesser grades of wire and cable.

Reprinted at the courtesy of the United States Coast Guard Electrical System Compliance Guideline.

* There is NO LIMIT on conductors in a bundle under 50 volts.

PN	Page	PN	Page	PN	Page	PN	Page	PN	Page
100010	10	102050	10	104199	10	106310	11	108502	11
100025	10	102099	10	104210	10	106325	11	108510	11
100050	10	102110	10	104225	10	106340	11	108525	11
100099	10	102125	10	104250	10	106399	11	108550	11
100110	10	102150	10	104299	10	106499	11	108599	11
100125	10	102199	10	104310	10	106502	11	108802	11
100150	10	102210	10	104325	10	106510	11	108810	11
100199	10	102225	10	104350	10	106525	11	108825	11
100210	10	102250	10	104399	10	106540	11	108850	11
100225	10	102299	10	104410	10	106599	11	108899	11
100250A	10	102310	10	104425	10	106602	11	108902	11
100299	10	102325AA	10	104450	10	106610	11	108910	11
100310	10	102350	10	104499	10	106625	11	108925	11
100319	17	102399	10	104510	10	106640	11	108950	11
100320	17	102410	10	104525	10	106702	11	108999	11
100325	10	102425	10	104550	10	106710	11	109002	11
100350	10	102450	10	104599	10	106725	11	109010	11
100399	10	102499	10	104610	10	106740	11	109025	11
100410	10	102510	10	104625	10	106802	11	109050	11
100425	10	102525	10	104650	10	106810	11	109099	11
100450	10	102550	10	104710	10	106825	11	109302	11
100499	10	102599	10	104725	10	106840	11	109310	11
100510	10	102610	10	104750	10	106899	11	109325	11
100525	10	102625	10	104810	10	106902	11	109350	11
100550	10	102650	10	104825	10	106910	11	109399	11
100599	10	102710	10	104850	10	106925	11	111002	11
100610	10	102725	10	104899	10	106940	11	111005	11
100625	10	102750	10	104910	10	106999	11	111010	11
100650	10	102799	10	104925	10	107002	11	111025	11
100699	10	102810	10	104950	10	107010	11	111050	11
100710	10	102825	10	104999	10	107025	11	111099	11
100725	10	102850	10	105010	10	107040	11	111302	11
100750	10	102899	10	105025	10	107099	11	111305	11
100799	10	102910	10	105050	10	108002	11	111310	11
100810	10	102925	10	105099	10	108010	11	111325	11
100825	10	102950	10	105810	11	108025	11	111350	11
100850	10	102999	10	105825	11	108050	11	111399	11
100899	10	103010	10	105840	11	108099	11	111502	11
100910	10	103025	10	106002	11	108102	11	111505	11
100925	10	103050	10	106010	11	108110	11	111510	11
100950	10	103099	10	106025	11	108125	11	111525	11
100999	10	103810	10	106040	11	108150	11	111550	11
101010	10	103825	10	106099	11	108199	11	111599	11
101025	10	103850	10	106102	11	108202	11	111702	11
101050	10	103910	10	106110	11	108210	11	111705	11
101099	10	103925	10	106125	11	108225	11	111710	11
101810	10	103950	10	106140	11	108250	11	111725	11
101825	10	104010	10	106199	11	108299	11	111750	11
101850	10	104025	10	106202	11	108302	11	111799	11
101910	10	104050	10	106210	11	108310	11	111902	11
101925	10	104099	10	106225	11	108325	11	111905	11
101950	10	104110	10	106240	11	108350	11	111910	11
102010	10	104125	10	106299	11	108399	11	111925	11
102025	10	104150	10	106302	11	108499	11	111950	11

PN	Page	PN	Page	PN	Page	PN	Page	PN	Page
111999	11	114525	12	118915	12	124525	14	142625	17
112002	11	114540	12	119002	12	124550	14	142650	17
112005	11	114902	12	119005	12	124599	14	142810	17
112010	11	114905	12	119010	12	124710	14	150102	17
112025	11	114910	12	119025	12	124725	14	150110	17
112050	11	114925	12	119502	12	124750	14	150510	19
112075	11	114940	12	119505	12	124799	14	150525	19
112302	11	115002	12	119510	12	124910	14	151025	19
112305	11	115005	12	119525	12	124925	14	151050	19
112310	11	115010	12	119902	12	124950	14	151510	19
112325	11	115030	12	119905	12	124999	14	151525	19
112350	11	115502	12	119910	12	126310	14	151550	19
112375	11	115505	12	119925	12	126325	14	151560	19
112502	11	115510	12	120705	14	126350	14	151710	19
112505	11	115530	12	120710	14	126510	14	151725	19
112510	11	115902	12	120905	14	126525	14	151750	19
112525	11	115905	12	120910	14	126550	14	153010	16
112550	11	115910	12	120925	14	126710	14	153050	16
112575	11	115930	12	121110	14	126725	14	153110	16
112702	11	116002	12	121125	14	126750	14	153125	16
112705	11	116005	12	121140	14	130705	15	153150	16
112710	11	116010	12	121180	14	130710	15	153510	17
112725	11	116025	12	121310	14	130902	15	153530	17
112750	11	116502	12	121325	14	130905	15	153710	17
112775	11	116505	12	121350	14	130910	15	153725	17
112902	11	116510	12	121510	14	131110	15	153910	17
112905	11	116525	12	121525	14	131130	15	153925	17
112910	11	116902	12	121550	14	131150	15	154010	17
112925	11	116905	12	121599	14	131151	16	154030	17
112950	11	116910	12	121710	14	131302	15	154510	17
112975	11	116925	12	121725	14	131310	15	154525	17
113002	12	117002	12	121750	14	131325	15	155010	16
113005	12	117005	12	121799	14	131370	15	155050	16
113010	12	117010	12	121910	14	131510	15	156410	16
113025	12	117020	12	121925	14	131525	15	156425	16
113050	12	117502	12	121950	14	131550	15	156450	16
113502	12	117505	12	122010	16	131590	15	156610	16
113505	12	117510	12	122025	16	131710	15	156625	16
113510	12	117520	12	122050	16	131725	15	158010	16
113525	12	117902	12	123705	14	131750	15	158025	16
113550	12	117905	12	123710	14	131799	15	158099	16
113902	12	117910	12	123905	14	133310	15	180003	10
113905	12	117920	12	123910	14	133325	15	180103	10
113910	12	118002	12	123950	14	133510	15	180203	10
113925	12	118005	12	124102	14	133525	15	180303	10
113950	12	118010	12	124110	14	133590	15	180403	10
114002	12	118015	12	124125	14	133710	15	180503	10
114005	12	118502	12	124140	14	133725	15	180603	10
114010	12	118505	12	124180	14	141410	16	180703	10
114025	12	118510	12	124310	14	141425	16	180803	10
114040	12	118515	12	124325	14	142410	17	180903	10
114502	12	118902	12	124350	14	142425	17	181003	10
114505	12	118905	12	124502	14	142499	17	182003	10
114510	12	118910	12	124510	14	142610	17	182103	10

PN	Page	PN	Page	PN	Page	PN	Page	PN	Page
182203	10	199212	39	199269	41	199329	43	210244	27
182303	10	199213	39	199274	41	199330	43	210245	27
182403	10	199214	39	199275	41	199331	43	210246	27
182503	10	199215	39	199276	41	199333	41	210247	27
182603	10	199216	39	199277	41	199334	41	210253	27
182703	10	199217	39	199278	41	199336	41	210254	27
182803	10	199218	39	199279	41	199337	41	210255	27
182903	10	199219	39	199280	41	199339	41	210256	27
183003	10	199220	39	199281	41	199340	41	210257	27
184003	10	199221	39	199282	41	199342	41	210301	28
184103	10	199222	39	199283	41	199343	41	210302	28
184203	10	199223	39	199284	41	200250	30	210303	28
184303	10	199224	40	199285	41	200258	30	210311	28
184403	10	199225	40	199286	42	200259	30	210312	28
184503	10	199226	40	199287	42	202175	30	210313	28
184603	10	199227	40	199288	42	202176	30	210321	28
184703	10	199228	40	199289	42	203100	30	210322	28
184803	10	199229	40	199290	42	210100	28	210323	28
184903	10	199230	40	199291	42	210110	28	210510	28
185003	10	199231	43	199292	42	210120	28	210520	28
186003	11	199232	43	199293	42	210130	29	210612	29
186303	11	199233	43	199294	42	210140	29	210613	29
186803	11	199234	43	199295	42	210150	29	210615	29
186903	11	199235	43	199296	42	210161	28	210708	29
187003	11	199236	43	199297	42	210162	28	210709	29
188003	11	199237	40	199300	42	210163	28	210718	29
188803	11	199238	40	199301	42	210164	29	210719	29
189130	13	199239	40	199302	42	210165	29	210808	28
189131	13	199240	40	199303	42	210166	29	210809	28
189134	13	199241	40	199304	42	210201	27	210818	28
189135	13	199242	40	199305	42	210202	27	210819	28
189136	13	199243	40	199306	42	210203	27	210828	28
189137	13	199245	40	199307	42	210204	27	210829	28
189140	13	199246	39	199308	42	210205	27	211408	28
189141	13	199247	39	199309	42	210206	27	211409	28
189144	13	199248	39	199310	42	210211	27	211418	28
189145	13	199249	39	199311	42	210212	27	211419	28
189146	13	199250	40	199312	42	210213	27	211428	28
189147	13	199251	40	199313	42	210214	27	211429	28
189303	16	199252	40	199314	42	210215	27	211480	29
189800	19	199253	40	199315	42	210216	27	211490	29
189849	19	199254	39	199316	42	210221	27	220002	53
199200	39	199257	40	199317	42	210222	27	220003	53
199201	39	199258	40	199318	41	210223	27	220004	53
199202	39	199259	39	199319	41	210224	27	220011	25
199203	39	199260	39	199320	41	210225	27	220020	53
199204	39	199261	40	199321	41	210226	27	220100	28
199205	39	199262	43	199322	41	210227	27	220110	28
199206	39	199263	43	199323	41	210233	27	220120	28
199207	39	199264	41	199324	43	210234	27	220161	28
199208	39	199265	41	199325	43	210235	27	220162	28
199209	39	199266	41	199326	43	210236	27	220163	28
199210	39	199267	41	199327	43	210237	27	220164	29
199211	39	199268	41	199328	43	210243	27	220202	27

PN	Page	PN	Page	PN	Page	PN	Page	PN	Page
220203	27	222236	27	230254	27	242267	31	249112	18
220204	27	222237	27	230255	27	242274	31	249113	18
220205	27	222243	27	230256	27	242275	31	249114	18
220206	27	222244	27	230257	27	242276	31	249115	18
220212	27	222245	27	230301	28	242277	31	249116	18
220213	27	222246	27	230302	28	242284	31	249117	18
220214	27	222247	27	230303	28	242285	31	249118	18
220215	27	222253	27	230311	28	242286	31	249119	18
220216	27	222254	27	230312	28	242287	31	249120	18
220222	27	222255	27	230313	28	242294	31	249121	18
220223	27	222256	27	230321	28	242295	31	249122	18
220224	27	222257	27	230322	28	242296	31	250001	46
220225	27	230100	28	230323	28	242297	31	250101	47
220226	27	230110	28	230510	28	242715	31	252130	32
220227	27	230120	28	230520	28	242716	31	252140	32
220302	28	230130	29	230612	29	242717	31	252150	32
220303	28	230140	29	230613	29	242725	31	252160	32
220312	28	230150	29	230615	29	242726	31	252170	32
220313	28	230161	28	230708	29	242727	31	252180	32
220322	28	230162	28	230709	29	244233	31	252190	32
220323	28	230163	28	230718	29	244234	31	252231	31
220612	29	230164	29	230719	29	244235	31	252233	31
220615	29	230165	29	230808	28	244236	31	252234	31
220708	29	230166	29	230809	28	244243	31	252235	31
220709	29	230201	27	230818	28	244244	31	252236	31
220718	29	230202	27	230819	28	244245	31	252237	31
220719	29	230203	27	230828	28	244246	31	252241	31
220808	28	230204	27	230829	28	244253	31	252243	31
220809	28	230205	27	231408	28	244254	31	252244	31
220818	28	230206	27	231409	28	244255	31	252245	31
220819	28	230211	27	231418	28	244256	31	252246	31
220828	28	230212	27	231419	28	244265	31	252247	31
220829	28	230213	27	231428	28	244266	31	252251	31
221408	28	230214	27	231429	28	244275	31	252253	31
221409	28	230215	27	231480	29	244276	31	252254	31
221418	28	230216	27	231490	29	244285	31	252255	31
221419	28	230221	27	242233	31	244286	31	252256	31
221428	28	230222	27	242234	31	244295	31	252257	31
221429	28	230223	27	242235	31	244296	31	252261	31
222100	28	230224	27	242236	31	244715	31	252264	31
222110	28	230225	27	242237	31	244716	31	252265	31
222120	28	230226	27	242243	31	244725	31	252266	31
222130	29	230227	27	242244	31	244726	31	252267	31
222140	29	230233	27	242245	31	249101	18	252271	31
222150	29	230234	27	242246	31	249102	18	252274	31
222161	28	230235	27	242247	31	249103	18	252275	31
222162	28	230236	27	242253	31	249104	18	252276	31
222163	28	230237	27	242254	31	249105	18	252277	31
222203	27	230243	27	242255	31	249106	18	252281	31
222213	27	230244	27	242256	31	249107	18	252284	31
222223	27	230245	27	242257	31	249108	18	252285	31
222233	27	230246	27	242264	31	249109	18	252286	31
222234	27	230247	27	242265	31	249110	18	252287	31
222235	27	230253	27	242266	31	249111	18	252291	31

PN	Page	PN	Page	PN	Page	PN	Page	PN	Page
252294	31	303103	36	307924	36	312303	24	320025	26
252295	31	303106	36	307948	36	312325	24	320101	47
252296	31	303124	36	309000	25	312399	24	320103	26
252297	31	303148	36	309001	25	312403	24	320125	26
252715	31	303602	36	309002	25	312425	24	320203	26
252716	31	303603	36	309003	25	312499	24	320225	26
252717	31	303606	36	309025	25	312503	24	320303	26
252725	31	303624	36	309099	25	312525	24	320325	26
252726	31	303648	36	309101	25	312599	24	320803	25
252727	31	304103	36	309102	25	312603	24	320825	25
255001	46	304106	36	309103	25	312625	24	320899	25
255101	47	304124	36	309125	25	312699	24	320903	25
260010	32	304148	36	309199	25	313203	24	320925	25
260012	32	304503	36	309201	25	313225	24	320999	25
260100	32	304506	36	309202	25	313299	24	321303	24
260200	32	304602	36	309203	25	314203	24	321325	24
260322	32	304603	36	309225	25	314225	24	321403	24
260325	32	304606	36	309299	25	314299	24	321425	24
260350	33	304624	36	309302	25	314303	24	321503	24
260381	33	304648	36	309303	25	314325	24	321525	24
260405	33	305103	36	309325	25	314399	24	321603	24
260505	33	305106	36	310203	24	315203	24	321625	24
270000	20	305124	36	310225	24	315225	24	321703	24
270001	20	305148	36	310299	24	315299	24	321725	24
270002	20	305602	36	310303	24	315303	24	326103	37
270005	20	305603	36	310325	24	315325	24	326106	37
270010	20	305606	36	310399	24	315399	24	326124	37
270101	21	305624	36	310403	24	316803	25	326148	37
270103	21	305648	36	310425	24	316825	25	326202	37
270104	21	306103	36	310499	24	316899	25	326603	37
270105	21	306106	36	310503	24	316903	25	326606	37
270106	21	306124	36	310525	24	316925	25	326624	37
270108	21	306148	36	310599	24	316999	25	326648	37
270113	21	306503	36	310603	24	317803	25	326903	37
270201	21	306602	36	310625	24	317825	25	326906	37
270202	21	306603	36	310699	24	317899	25	326924	37
270300	20	306606	36	311203	24	317903	25	327103	37
270301	20	306624	36	311225	24	317925	25	327106	37
270302	20	306648	36	311299	24	317999	25	327124	37
270305	20	306903	36	311303	24	318803	24	327148	37
301103	36	306906	36	311325	24	318825	24	327202	37
301106	36	306924	36	311399	24	318899	24	327603	37
301124	36	306948	36	311403	24	318903	24	327606	37
301148	36	307103	36	311425	24	318925	24	327624	37
301503	36	307106	36	311499	24	318999	24	327648	37
301506	36	307124	36	311503	24	319803	24	327903	37
302103	36	307148	36	311525	24	319825	24	327906	37
302106	36	307602	36	311599	24	319899	24	327924	37
302124	36	307603	36	311603	24	319903	24	330101	47
302148	36	307606	36	311625	24	319925	24	331066	38
302603	36	307624	36	311699	24	319999	24	332066	38
302606	36	307648	36	312203	24	320000	26	333066	38
302624	36	307903	36	312225	24	320001	46	334066	38
302648	36	307906	36	312299	24	320003	26	335066	38

PN	Page	PN	Page	PN	Page	PN	Page	PN	Page
336066	38	452501	45	522127	67	700115	53	DR2425	74
337066	38	452505	45	522129	67	701007	50	DR2550	75
338066	38	452751	45	522131	67	701009	50	DSA1020TRMS	56
339066	38	452755	45	529095	67	702027	52	DSA540A	56
341010	38	452900	45	529102	67	702030	50	ET6207	54
342010	38	452905	45	529104	67	702033	50	ET64220	55
343010	38	453382	45	529168	65	703005	50	HSP5	57
344010	38	453386	45	529300	63	703006	50	IRT100	59
345010	38	453502	45	529310	63	703010	51	IRT200	59
346010	38	453506	45	529311	63	703023	52	P33307	46
347010	38	453752	45	529333	67	703024	52	P33406	47
348010	38	453756	45	529337	65	703030	51	P33407	47
400000	44	453901	45	529338	65	703040	51	P33412	47
401122	44	453906	45	529340	64	703050	51	SPC103	17
401182	44	511016	66	529341	64	703060	52	SPK1614	25
401251	44	520053	63	529344	64	703064	52	SPK2218	25
401252	44	520057	63	529348	64	703065	51	VD7504GFI	55
401255	44	520067	63	529355	65	703075	51		
401312	44	520068	63	529361	65	703112	53		
401372	44	520082	63	529362	65	750000	46		
401375	44	520090	63	529367	65	760375	46		
401432	44	520093	63	529368	65	760500	46		
401502	44	520094	63	529370	65	764998	43		
401622	44	520097	63	529371	65	765000	43		
401752	44	520168	65	529381	65	765002	43		
401892	44	520194	65	529385	65	765004	43		
401912	44	520906	65	529386	65	765006	43		
401932	44	520912	65	529405	66	765010	43		
402252	44	521003	63	529406	66	765012	43		
402312	44	521004	63	529410	65	ANCHEADER	79		
402372	44	521034	64	529411	65	ANCLAMP	76		
402502	44	521076	63	529412	63	ANCLUG	76		
402622	44	521125	68	529413	63	ANCSHRINK	76		
402752	44	521126	63	529414	63	ANCTERM	76		
402892	44	521140	63	529416	64	ANCWIRE	76		
403182	44	521141	63	529417	67	CT6101	54		
403252	44	521142	63	529419	67	CW-T1RR50	45		
403312	44	521156	63	529420	64	CW-T2RR25	45		
403372	44	521157	64	529421	68	CW-T3RR25	45		
403502	44	521158	64	529422	68	CW-T4RR20	45		
403562	44	521159	63	529423	68	DM6250	57		
403622	44	521162	64	529424	68	DM6450	58		
403752	44	521164	63	531015	66	DR1086	77		
403872	44	521176	63	531025	66	DR1088	78		
403892	44	521204	63	531050	66	DR1089	78		
403902	44	521224	63	531075	66	DR1091	78		
404152	44	521383	63	531100	66	DR1218	76		
404172	44	521416	63	532025	66	DR1230	72		
404202	44	521816	63	532050	66	DR1243	73		
404252	44	521895	63	533015	66	DR1425	74		
404302	44	522112	67	533025	66	DR1550	75		
452251	45	522122	67	533050	66	DR2218	76		
452381	45	522124	67	533075	66	DR2230	72		
452385	45	522126	67	700103	53	DR2243	73		

Ingress Protection (IP) Ratings Guide



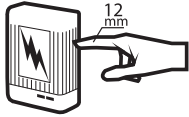

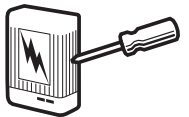



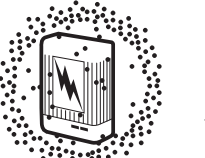
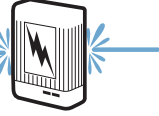




Example:

An IP65 rating can be determined using the adjacent table and example:

- The first number of the rating example, 6, in the gray column means the enclosure is dust tight
- The second number of the rating example, 5, in the blue column means the enclosure is protected against jets of water

The IP rating system was established by the International Electrotechnical Commission (IEC), an organization for international standards and conformity assessment. The IEC collaborates closely with the International Organization for Standardization (ISO). A complete description of the IP ratings and associated tests is found in IEC Publication 529. Although these ratings were initially developed as a way to classify enclosures, they now provide a convenient, practical way to compare levels of sealing. Many electrical products have an Ingress Protection (IP) rating which identifies the environmental factors needing consideration prior to the product's installation.

This is important when deciding when to mount products in a dry and clean environment versus a wet and/or dusty environment. The IP rating indicates the degree of protection provided. The numbers following IP represent levels of sealing and can range from no protection to full protection against dust and water. The table provides a description of the protection at each level.

SOLIDS		WATER	
1	 Protected against a solid object greater than 50 mm such as a hand.	1	 Protected against vertically falling drops of water. Limited ingress permitted.
2	 Protected against a solid object greater than 12 mm such as a finger.	2	 Protected against vertically falling drops of water up to 15 degrees from the vertical. Limited ingress permitted.
3	 Protected against a solid object greater than 2.5 mm such as a screwdriver.	3	 Protected against sprays of water up to 60 degrees from the vertical. Limited ingress permitted for three minutes.
4	 Protected against a solid object greater than 1 mm such as a wire.	4	 Protected against water splashed from all directions. Limited ingress permitted.
5	 Dust Protected. Limited ingress of dust permitted. Will not interfere with operation of the equipment. Two to eight hours.	5	 Protected against jets of water. Limited ingress permitted.
6	 Dust tight. No Ingress of dust. Two to eight hours.	6	 Water from heavy seas or water projected in powerful jets shall not enter the enclosure in harmful quantities.
		7	 Protection against the effects of immersion in water between 15 cm and 1 m for 30 minutes.
		8	 Protection against the effects of immersion in water under pressure for long periods.

Rating Example:

IP65

INGRESS PROTECTION