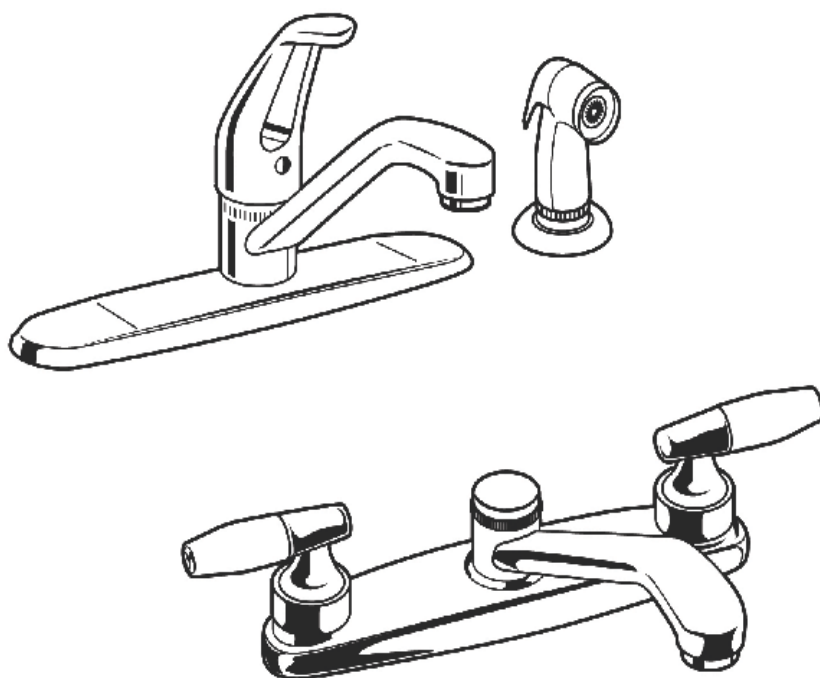


The American Brass Manufacturing Company | Est. 1894

"AMERICA'S FAUCET COMPANY"



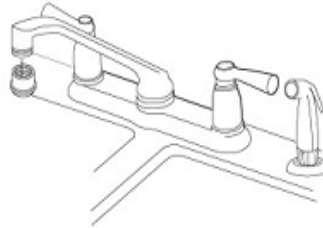
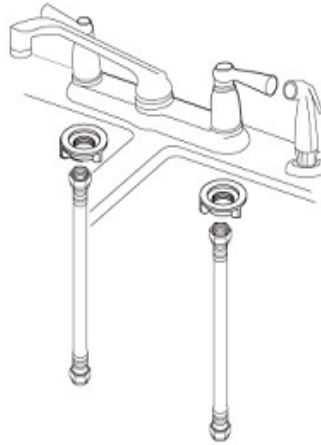
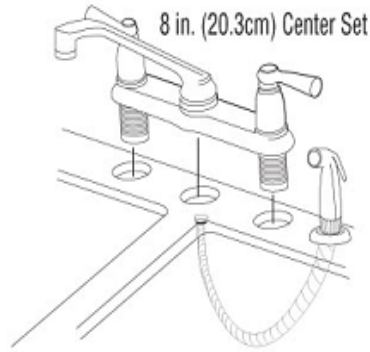
Single Handle & Two Handle Kitchen Faucet

Thank you for purchasing this American Brass product. By following the care instructions below you will enjoy this quality faucet for many years. American Brass faucets are made with the highest quality for lasting use. Since 1894, our skillfully engineered faucets have provided contemporary designs and fine finishes to complement homes across America. Our products also offer water & energy saving features.

INSTALLATION INSTRUCTIONS

TO INSTALL SINGLE & DOUBLE HANDLE KITCHEN FAUCETS:

1. Turn off water supply.
2. If faucet is equipped with spray, install spray guide in hole on far right of sink. Thread nut on underside and tighten firmly. Insert spray hose down through guide and up through center faucet mounting hole. Connect the hose to the faucet and wrench tighten.
3. Position the faucet and sealing gasket on sink, inserting shanks into proper holes. Thread mounting nuts onto shanks and hand tighten faucet firmly to sink.
4. Attach water supply lines to faucet and valves.
5. Make sure all connections are tight and turn on water supply.
6. Unscrew and remove aerator. Turn water on and check for leaks. Run hot and cold water uninterrupted for about one minute to remove any residue from lines. Replace aerator.



Avoid polish or harsh abrasives on finishes!
Use damp cloth to clean.



Please Conserve Water!

