

AIMS POWER™

www.aimscorp.net

Ground Mounting System Installation Manual



**PV6X120RACK
PV6X250RACK**

Thank You For Choosing AIMS Power!

AIMS Power is a leading supplier of solar products, specializing in PV mounting systems. We have been providing products for back up and off grid power applications for over 20 years. AIMS Power has DC to AC power inverters, deep cycle batteries, solar charge controllers, generators and cables. We guarantee our products are of the highest quality.



AIMS Power's innovative ground mount assembly is fast, convenient and secure. Attach clamps and brackets to rails in one sliding motion. The racking system includes pre-assembled legs that unfold quickly, allowing for easy bolt connection, minimizing labor. Various types of bases may be used. Check with local regulatins.

When unpacking the system familiarize yourself with all components and confirm all parts arrived in good condition. Use proper safety precautions.



The racks are durable and made of Aluminium 6005-T5 and stainless steel SUS304 hardware, includes a 25 year warranty.

Compliant with the following standards:

GB50009-2001

GB50011-2001

GB/T 13912-92

GBT 14846-2008

GB-T 6892-2006

GB50429-2007

GB50017-2003

AS NZS 1170

ASCE/SEI 7-05

ASCE/SEI 7-010

2007 California Administrative Code

IBC 2006

Euro Code 8

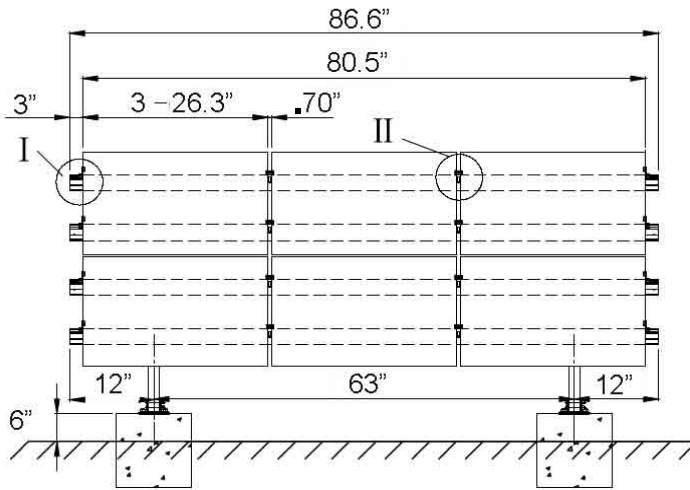
DIN1055

EN 1991-1-3 - Snow Load

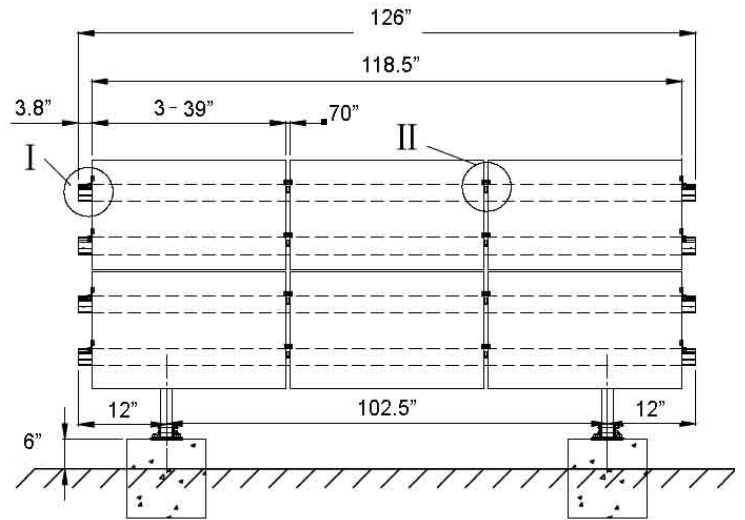
EN 1991-1-4 - Wind Actions

Planning the Array Layout

*Solar panel orientation is portrait when viewing rack from the front.



PV6X120 - Fits @120-170 Watt Panels



PV6X250 - Fits @190-330 Watt Panels



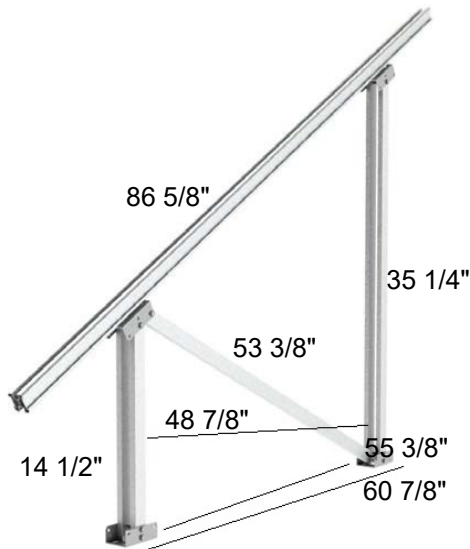
87"L x 4 1/2"H x 2 1/4"W

PV6X120RACK RAIL

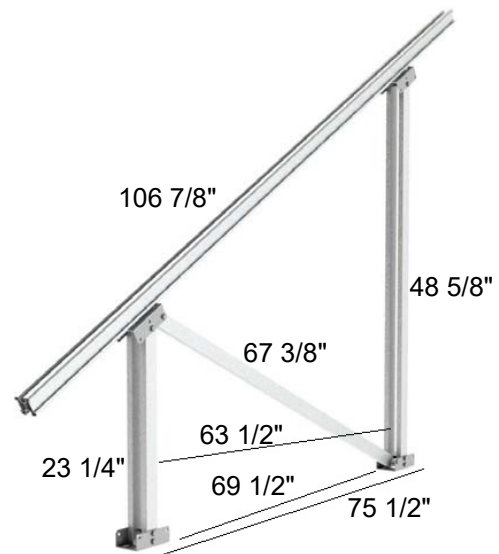


106 7/8"L x 3 7/8"H x 2 3/8"W

PV6X250RACK RAIL

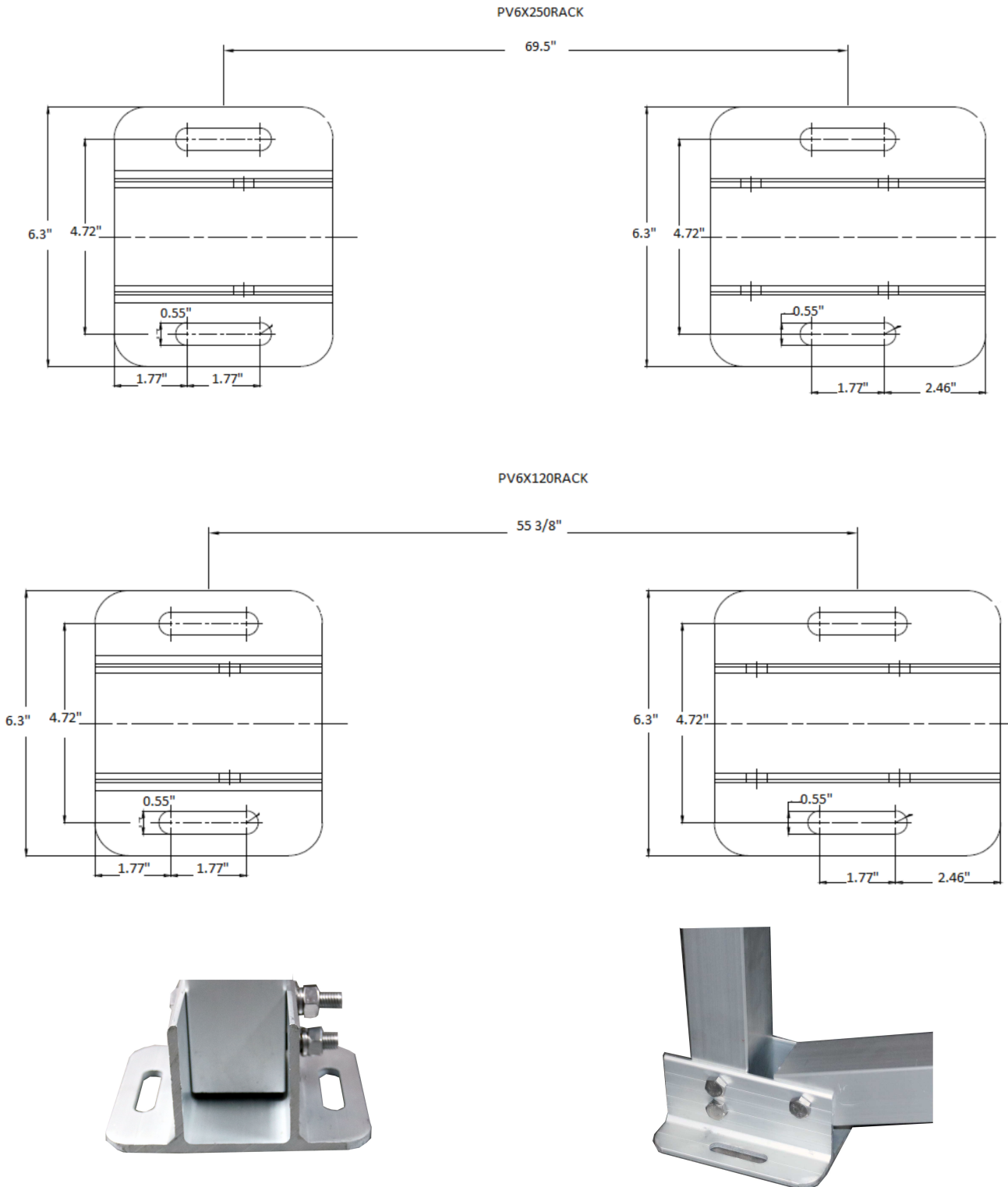


PV6X120RACK



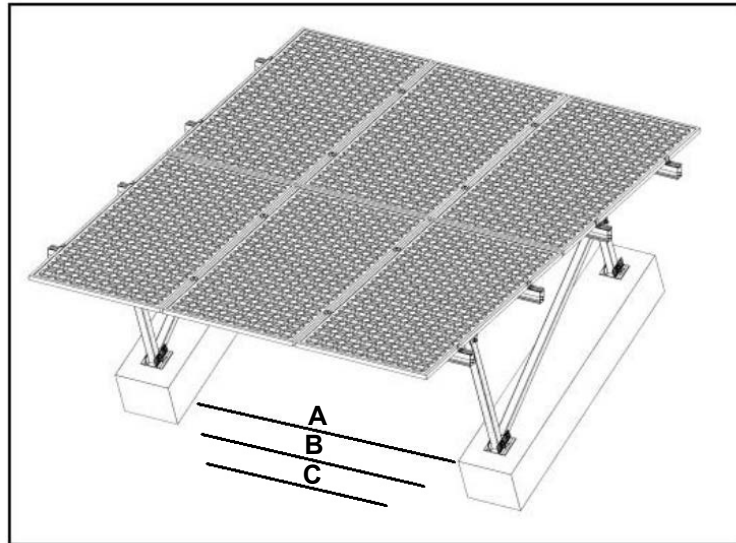
PV6X250RACK

Base Foot Dimension:



Using M10 Grade 5.8 Carbon Steel anchor studs with Ramset Chemset REO502 chemical injection anchoring system. Minimum anchor embedment depth of 90mm with concrete strength of 32MPa. There are several ways to mount the racks depending on application and structural guidelines. Check with local area.

Maximum spacing between legs:








PV6X250RACK	A	B	C
Wind Speed (mph)	101	118	145
Max Foot Spacing	102"	67.5"	44"
PV6X120RACK	A	B	C
Wind Speed (mph)	101	118	145
Max Foot Spacing	63"	42"	28"

Features:

Design Life	25 years
Importance Level	Type 2: Ordinary
Annual Probability of Exceedance	1/250
Terrain Category to AS1170.2	2
Maximum Pitch	20°
Aluminum Rails	6005 - T5
Maximum Solar panels	6

Components List

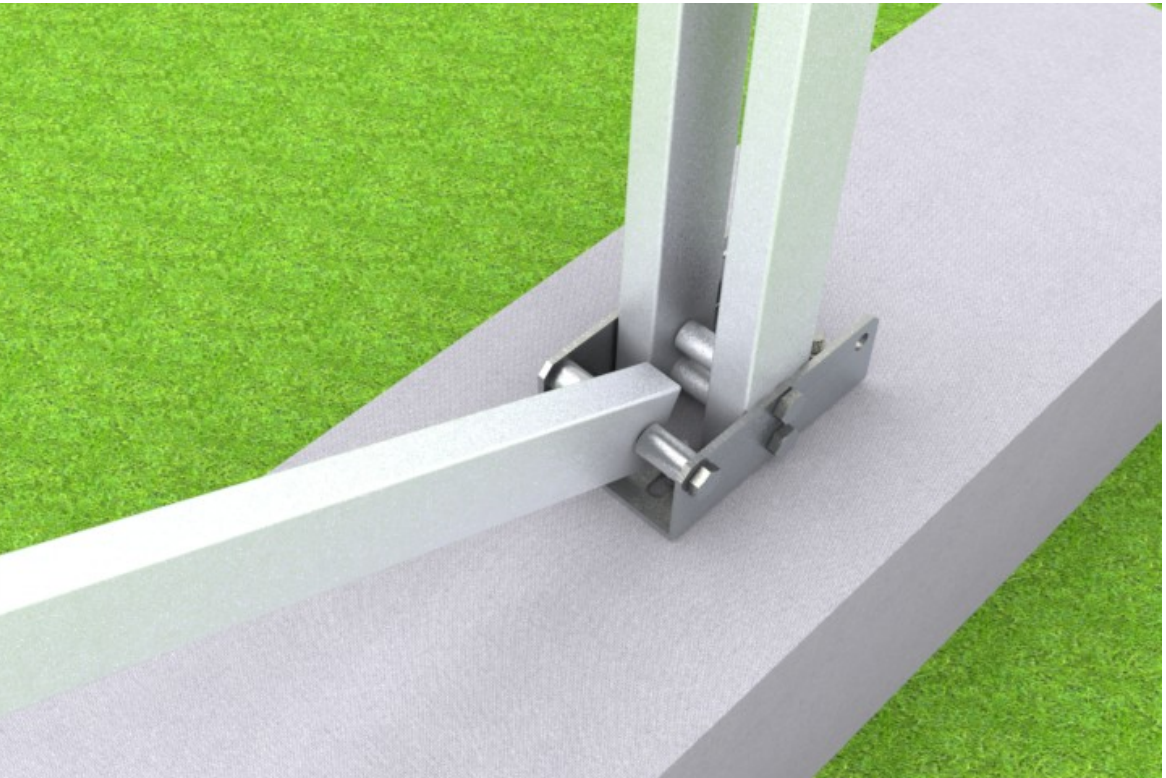
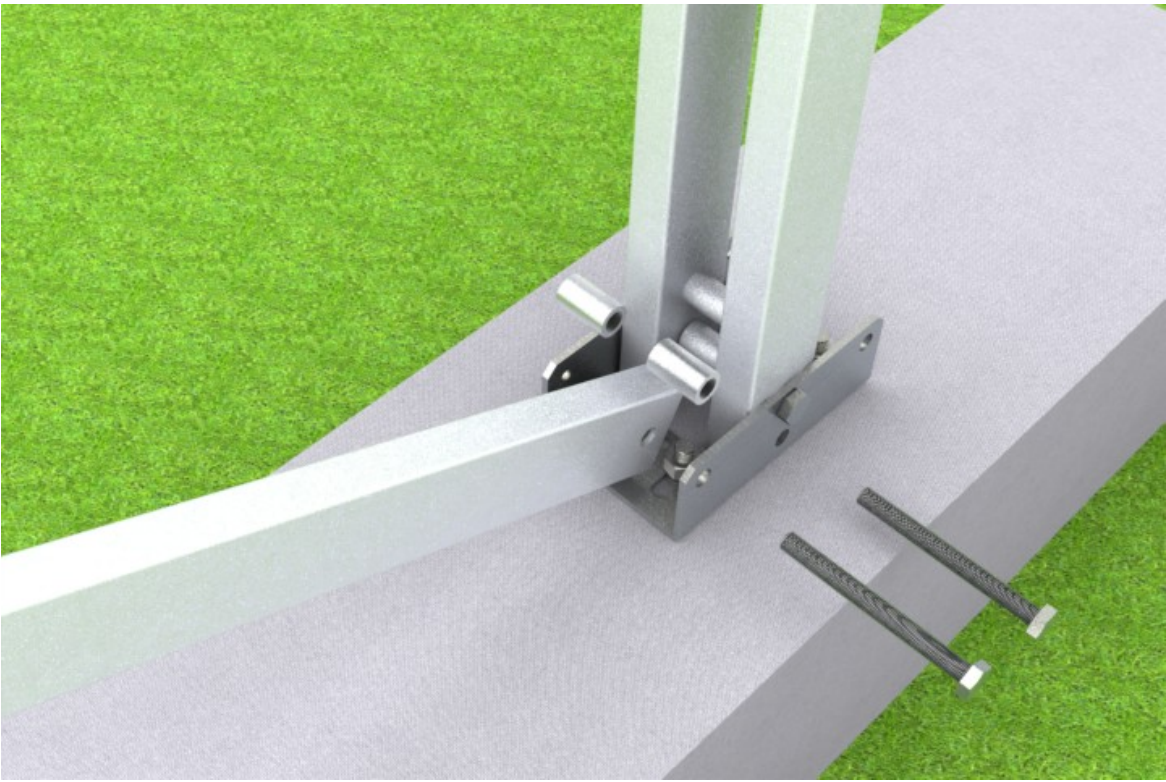
	Product Name	Picture	Material	Description
1	HD Rail		AL 6005-T5	Quantity 4
2	End Clamp		AL 6005-T5	Includes: Quantity 9 a. A2-70 M8 Hexagon screw b. Aluminum fixing nut
3	Mid Clamp		AL 6005-T5	Includes: Quantity 9 a. A2-70 M8 Hexagon screw b. Aluminum fixing nut
4	HD Rail Clamp		AL 6005-T5	Includes: Quantity 16 a. A2-70 M8 Hexagon screw b. Aluminum fixing nut
5	Pre-assembled Leg		AL 6005-T5 & SUS 304	Quantity 2

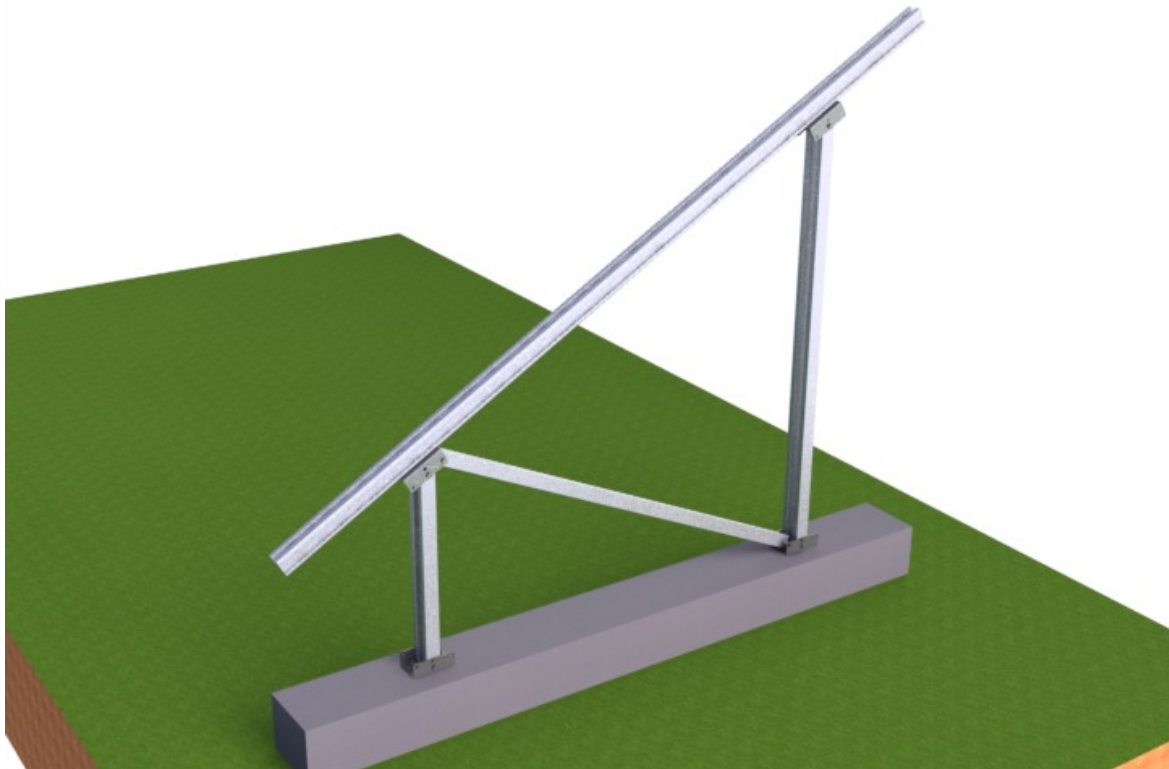
**The 18 panel rack system includes 12 rails, 27 mid clamps, 48 rail clamps and 4 pre-assembled legs.

Installation Steps

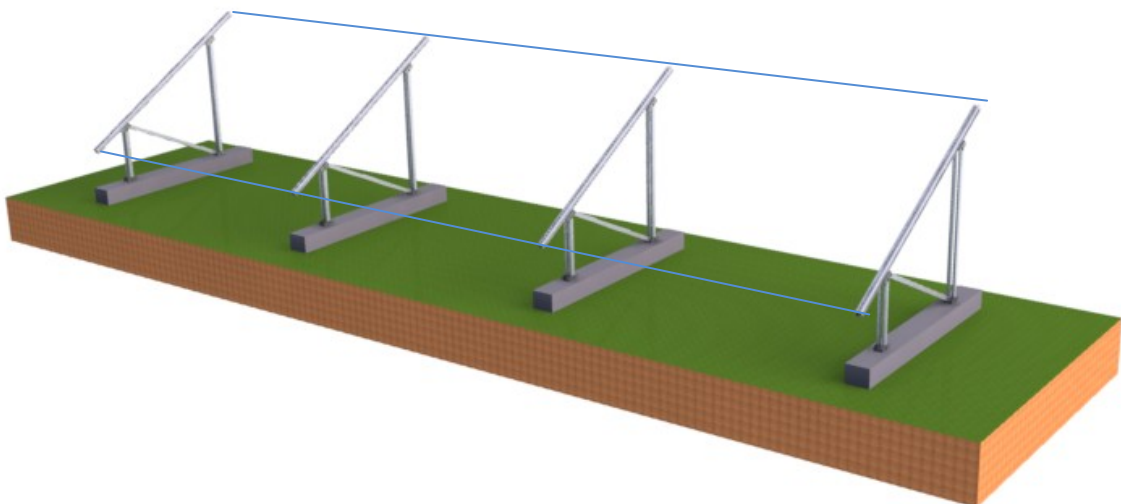
1. Unfold the pre-assembled leg and connecting upright. Fasten the base of the legs to the attached anchor bolts. Tighten all anchor bolts to secure leg and upright.



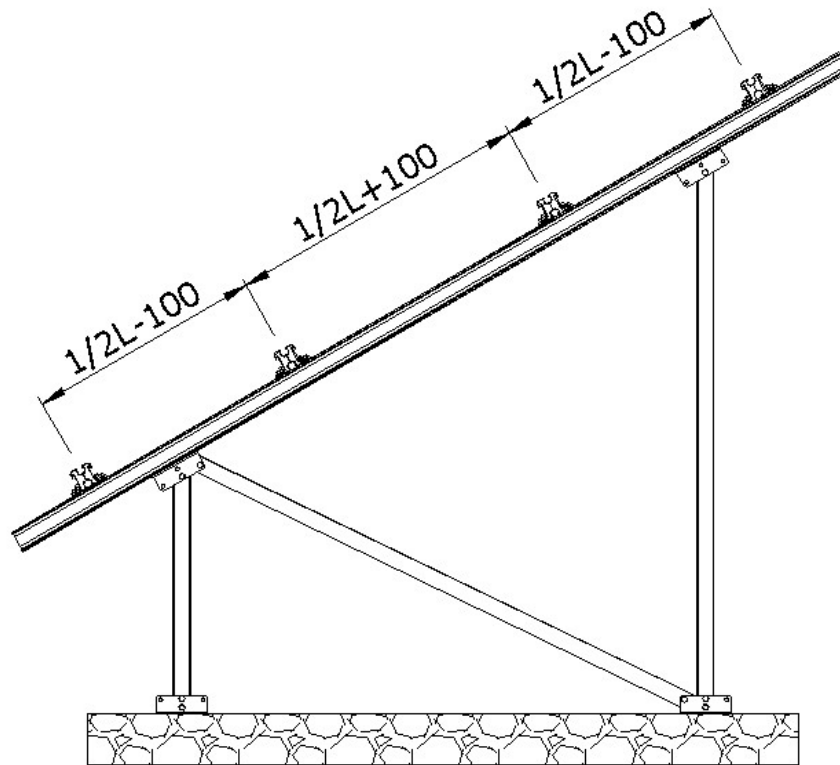




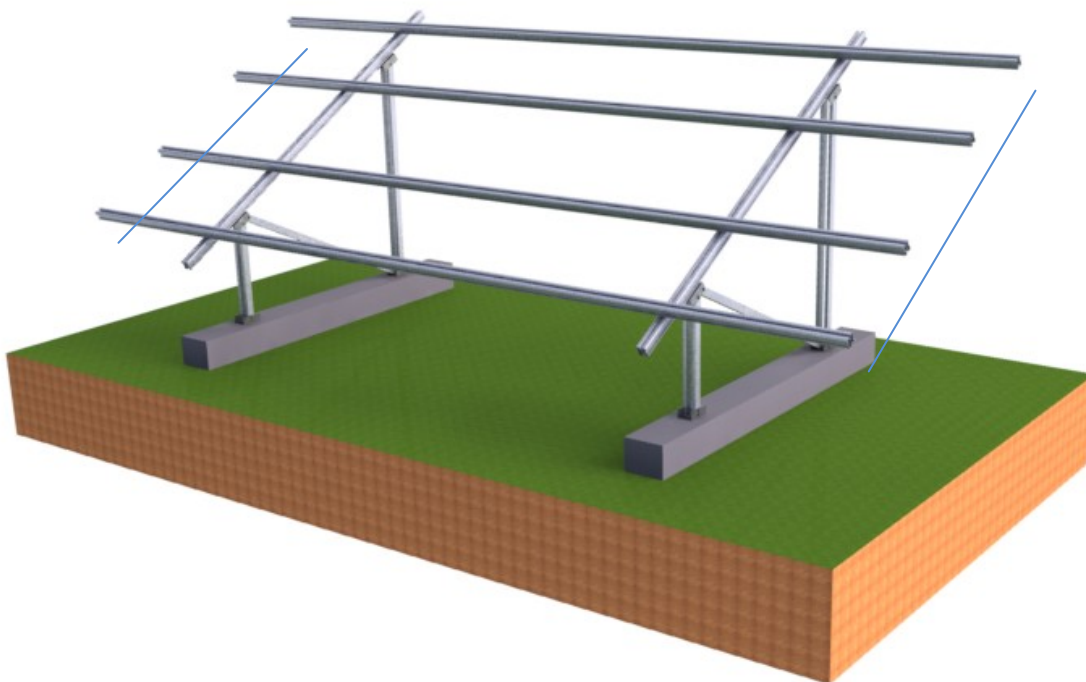
2. Once legs are secure, ensure the legs and uprights are aligned before installing the cross rails.

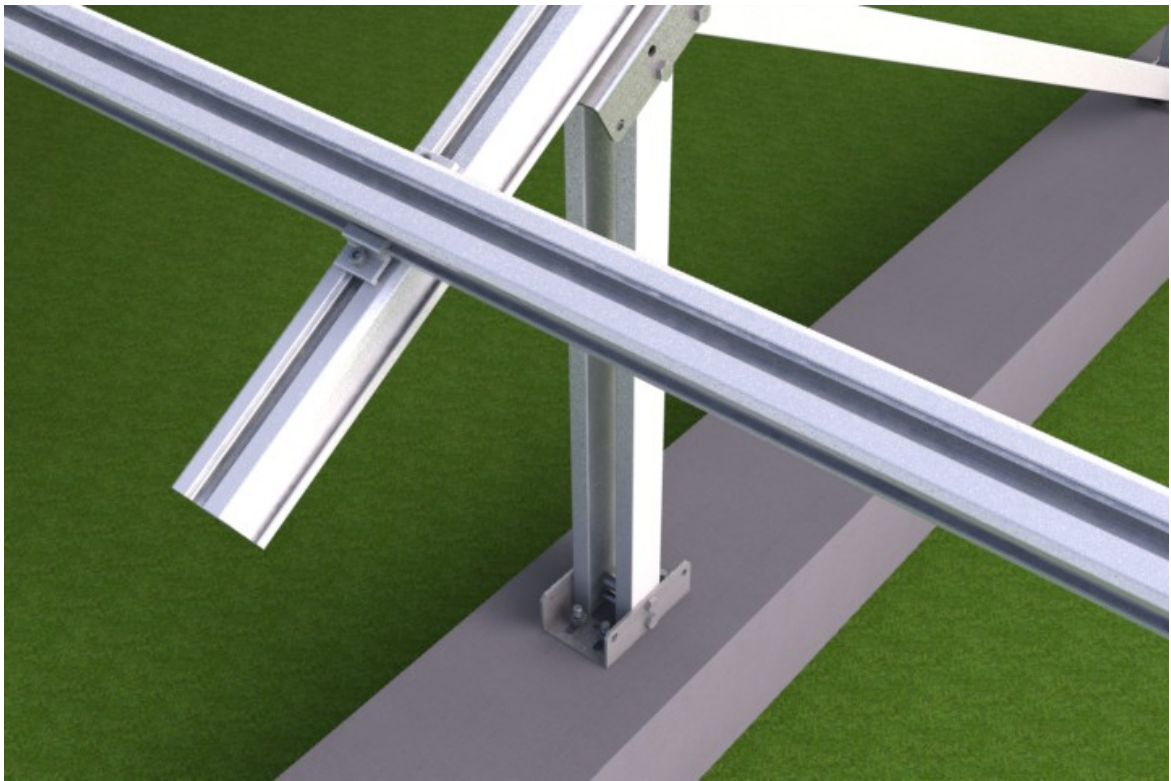
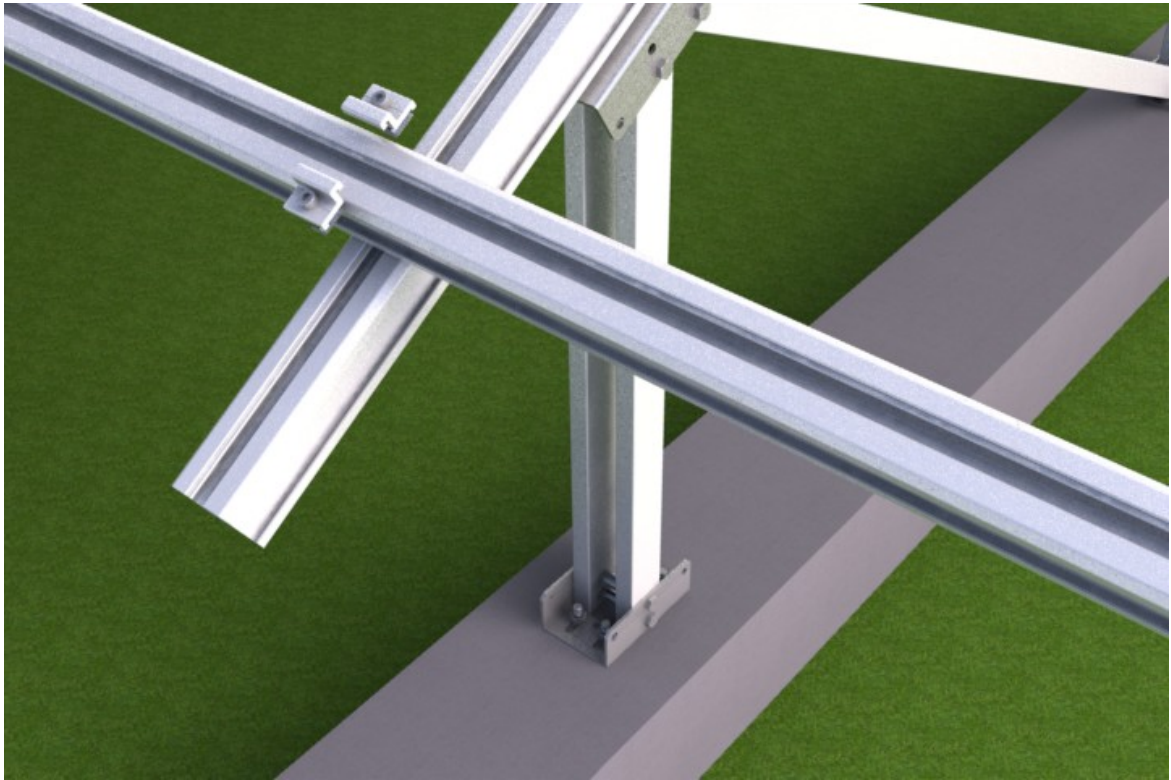


-
3. Before installing the rails, mark the position of the rails on the upright. To assist installers, the bottom rail clamps are pre-assembled in the recommended position. Adjust as required. L=Solar Panel length.

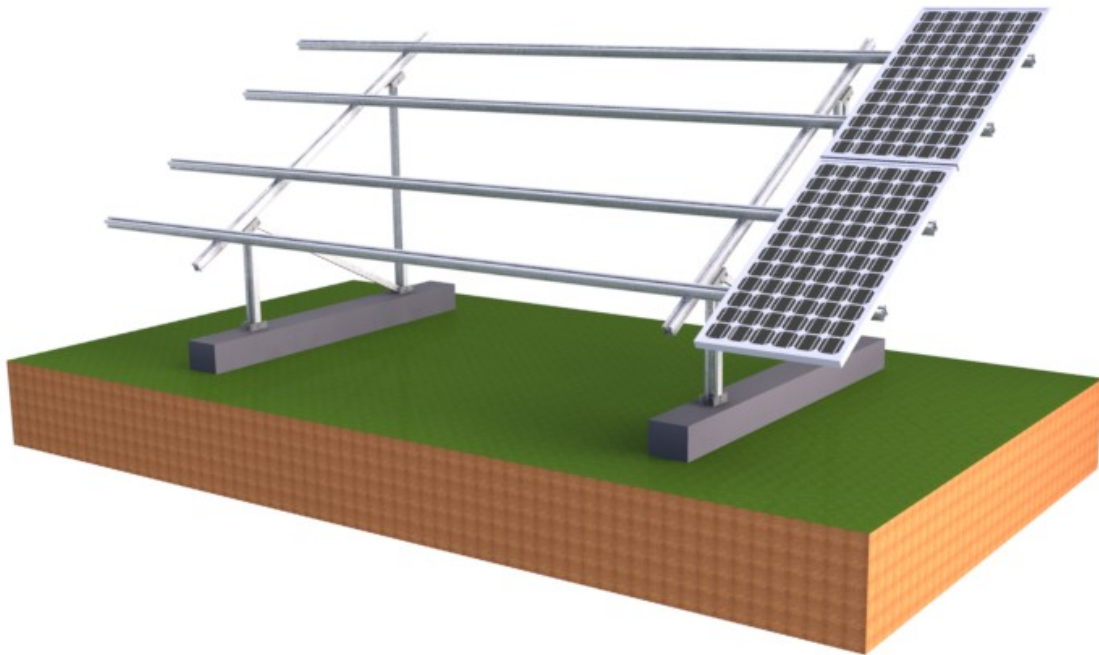


4. Place the rails on the pre-assembled legs, adjust the rails so they are evenly aligned. Tighten clamps to secure.

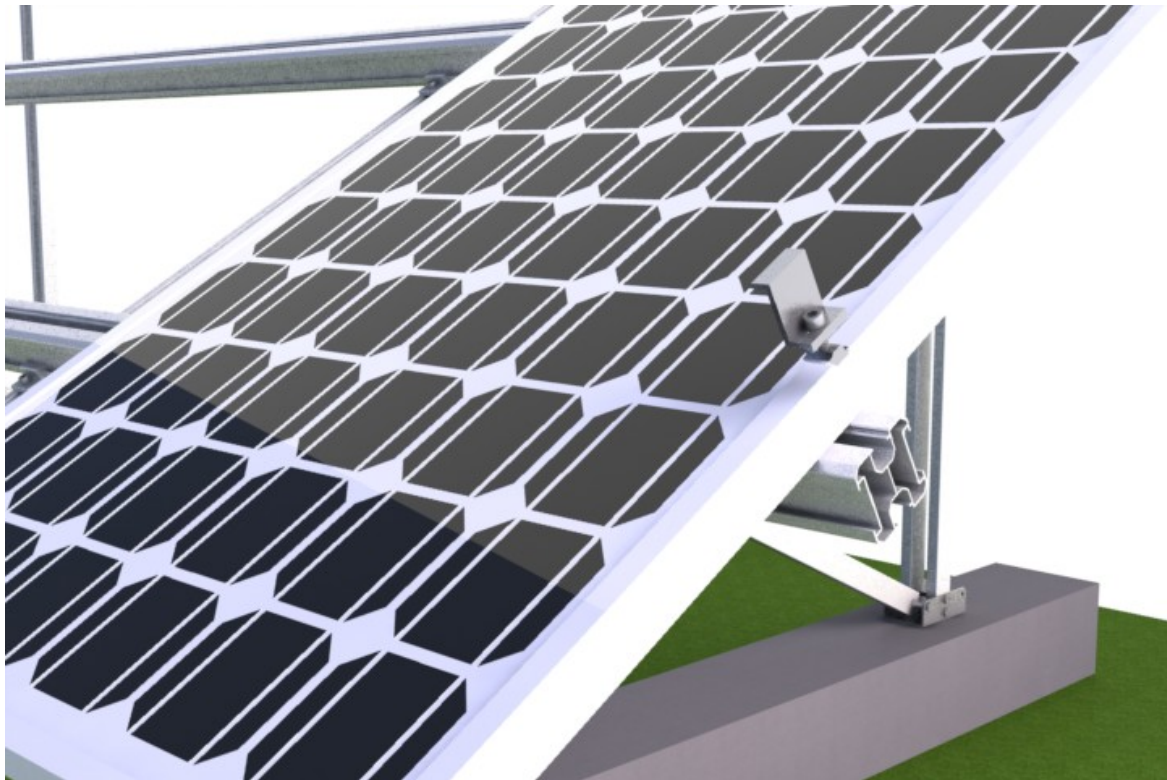


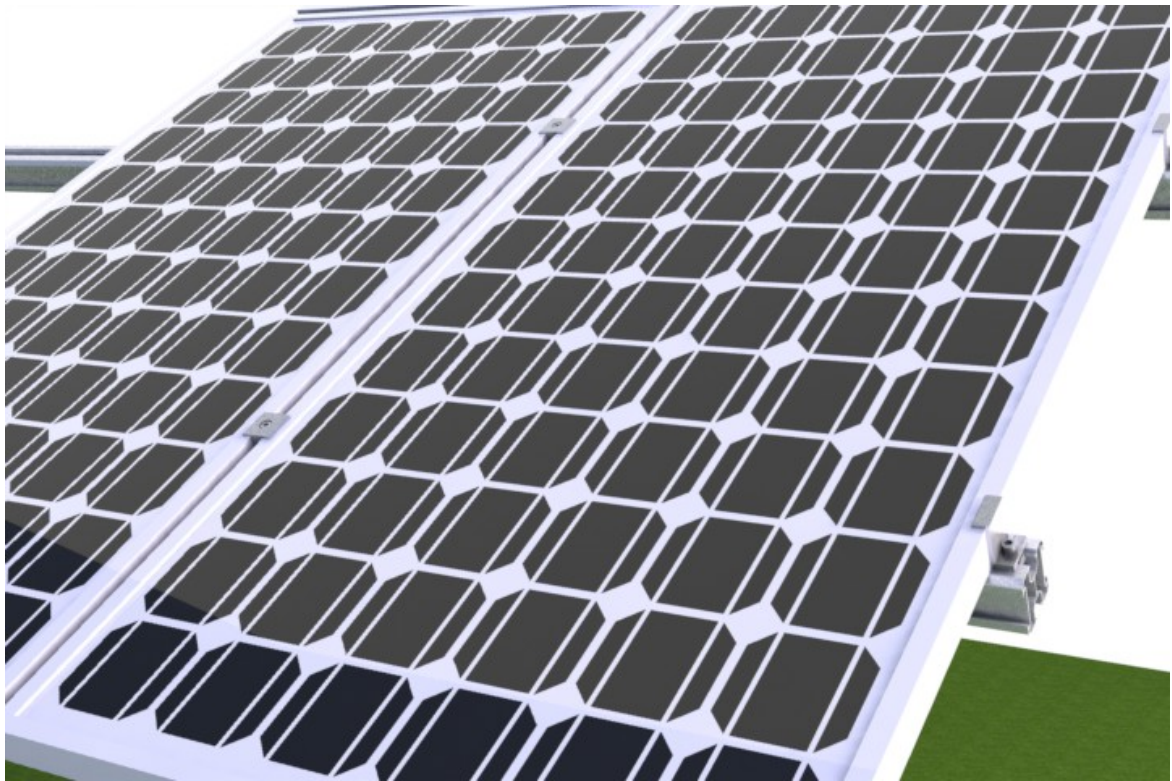
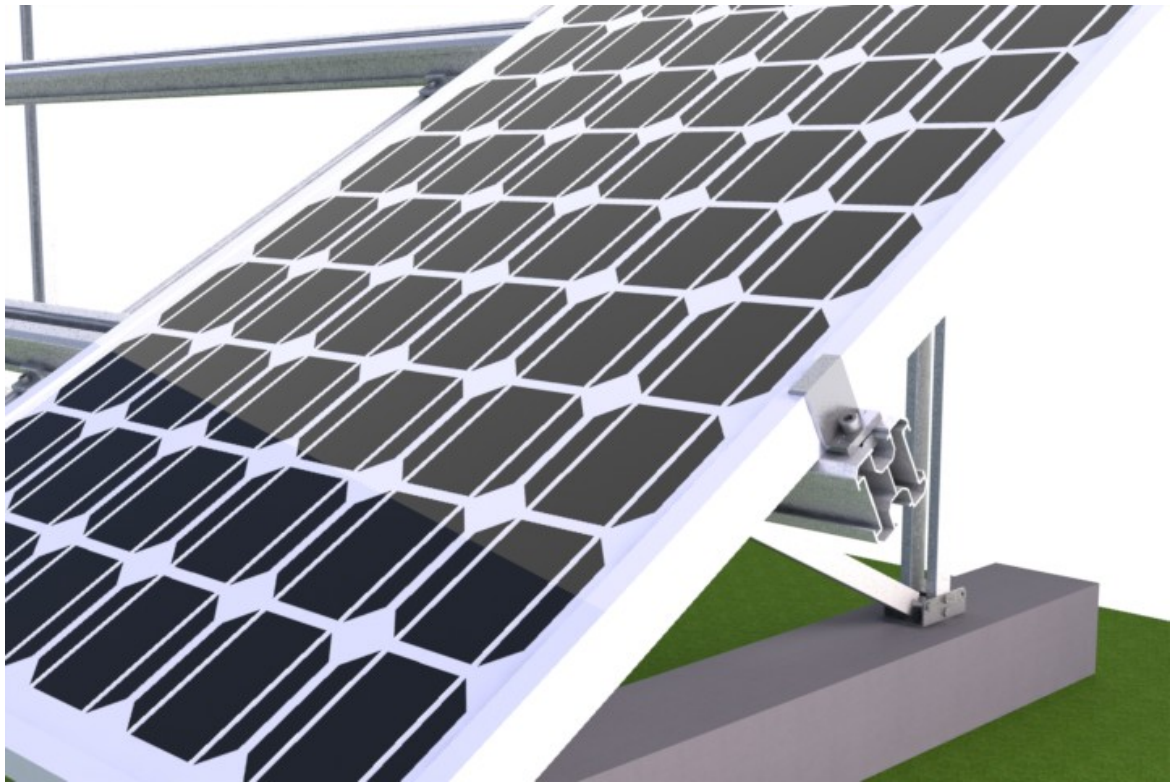


5. Place solar panels on the rails.



6. Use end clamps with, M8*25 Hexagon screws and fixing nuts to attach solar panels to the rails. Adjacent solar panels are attached by using mid clamps with M8 Hexagon screws. (The hexagon screw length is determined by the solar panel's thickness)





8. Repeat steps until installation is completed.



AIMS POWER

9550 Gateway Drive

Reno, NV 89521

Tel: (775) 359-6703

Fax: (775) 359-6753

Email:

sales@aimscorp.net

techsupport@aimscorp.net